



US00D623049S

(12) **United States Design Patent**
Zeyfang

(10) **Patent No.:** **US D623,049 S**

(45) **Date of Patent:** **** Sep. 7, 2010**

(54) **HOLE PLUG**

(75) Inventor: **Frederick W. Zeyfang**, Erie, PA (US)

(73) Assignee: **Protective Industries, Inc.**, Buffalo, NY (US)

(**) Term: **14 Years**

(21) Appl. No.: **29/311,723**

(22) Filed: **Jun. 5, 2009**

(51) **LOC (9) Cl.** **08-06**

(52) **U.S. Cl.** **D8/397**

(58) **Field of Classification Search** D7/607,
D7/608, 624.1; D8/387, 397, 499, 382; D12/114;
D6/610; D9/444, 434, 439, 516; D23/309;
138/96 T; 403/405.1, 292; 411/280, 403,
411/429, 508; 206/538, 37; 220/529, 4.21,
220/566, 315, 556; 229/406; D21/753; 215/334
See application file for complete search history.

(56) **References Cited**

U.S. PATENT DOCUMENTS

- D34,031 S * 2/1901 Milligan D8/385
- D44,178 S * 6/1913 McMurtrie D23/262
- 1,560,569 A * 11/1925 Hammer 215/333
- 1,577,019 A * 3/1926 Hammer 215/330
- 1,674,998 A 6/1928 Spang
- 1,676,023 A * 7/1928 Hammer 215/331
- D93,704 S * 10/1934 Conner D9/454
- 2,551,834 A 5/1951 Ferguson
- 2,632,478 A 3/1953 Ronfeldt
- 2,709,456 A 5/1955 Hillix
- 2,731,056 A * 1/1956 Anson 16/86 A
- D191,942 S * 12/1961 Armbruster D16/132
- D194,004 S * 11/1962 Hoogesteger D16/132
- D203,947 S * 3/1966 Pick D8/387
- 3,262,599 A 7/1966 Muller
- D235,791 S * 7/1975 Kurtz et al. D21/759
- 3,963,120 A * 6/1976 Perfect 206/219
- 4,139,023 A 2/1979 Turley
- 4,239,062 A 12/1980 Callicoatte

- D284,266 S * 6/1986 Resan D8/382
- 4,614,207 A * 9/1986 Steinhagen 138/96 T
- D308,982 S * 7/1990 Moore D16/132
- 5,454,479 A 10/1995 Kraus
- D389,709 S * 1/1998 Cirincione D8/14
- 5,749,690 A * 5/1998 Kutz 411/431

(Continued)

OTHER PUBLICATIONS

Caplugs . . . plastic and metal closures. Catalog/Price list 974. Issued Oct. 1, 1974. p. 10. Image shown on p. 3 of Office Action dated Jan. 26, 2010.*

(Continued)

Primary Examiner—Robert M Spear
Assistant Examiner—Cynthia Underwood

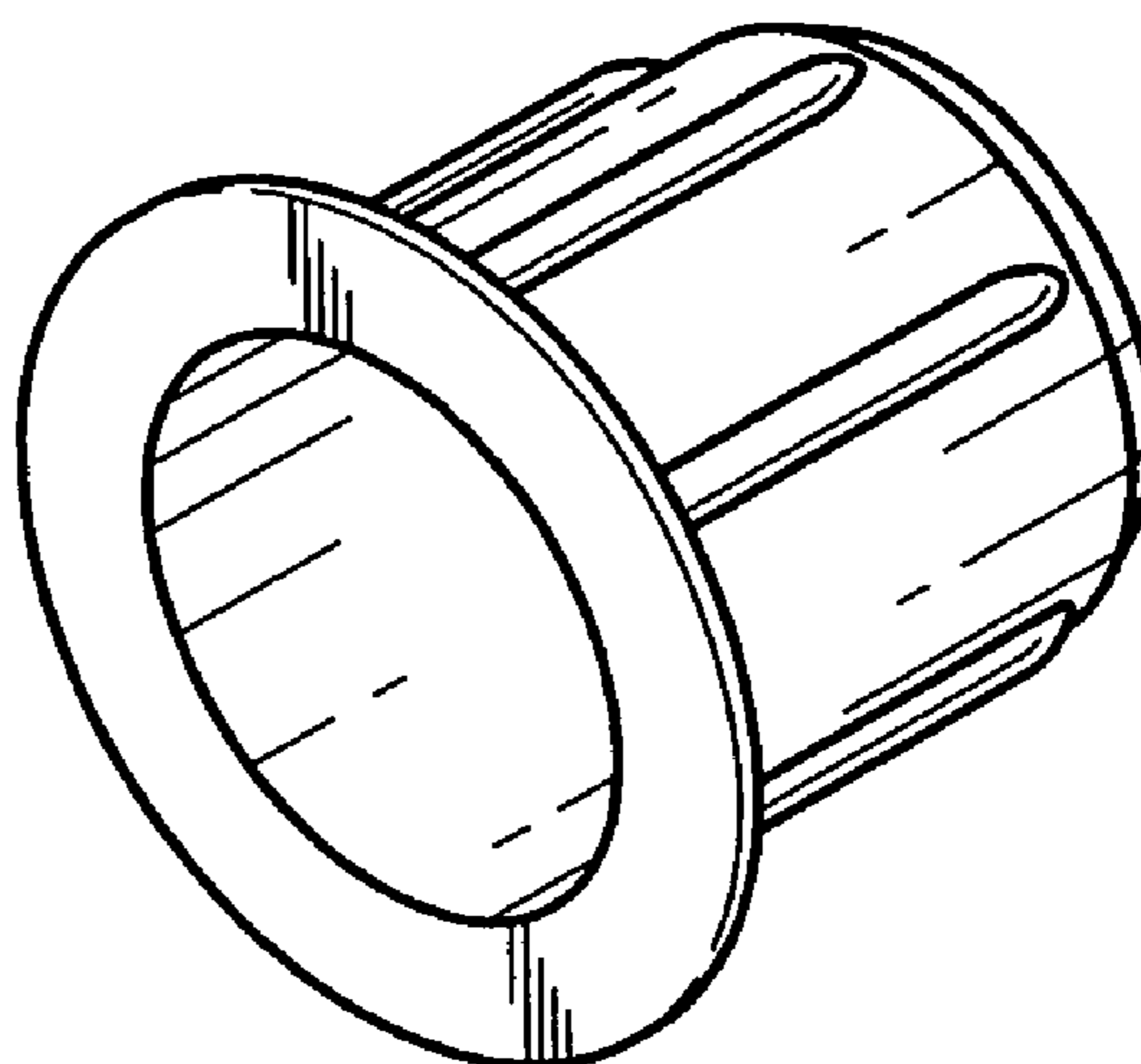
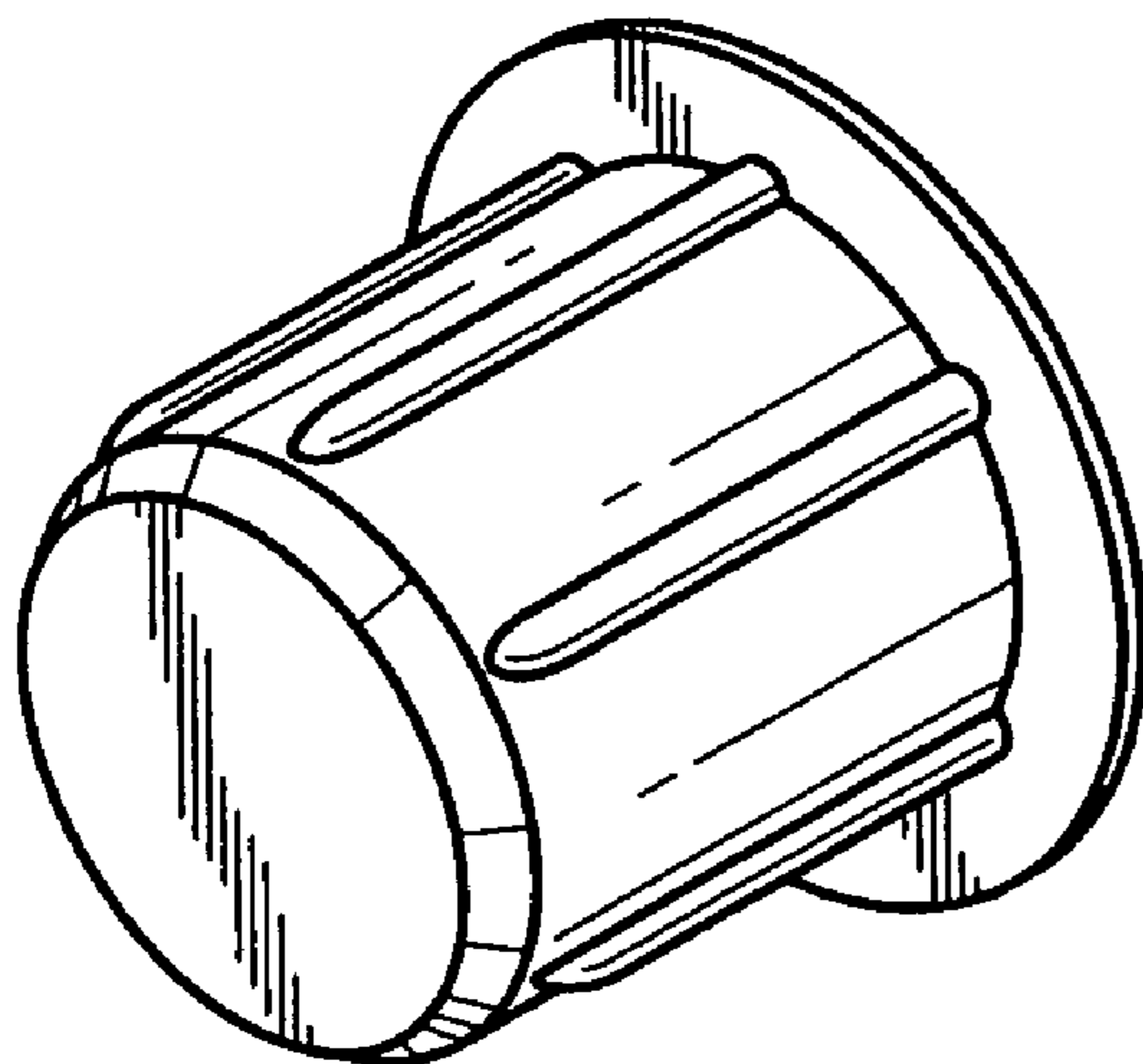
(57) **CLAIM**

The ornamental design for a hole plug, as shown and described.

DESCRIPTION

FIG. 1 is a perspective view of a hole plug showing my new design from the bottom end;
FIG. 2 is a perspective view of the hole plug of FIG. 1 showing my new design from the top end;
FIG. 3 is a side view of the hole plug of FIG. 1;
FIG. 4 is an opposite side view of the hole plug of FIG. 1;
FIG. 5 is a bottom view of the hole plug of FIG. 1; and,
FIG. 6 is a top view of the hole plug of FIG. 1.

1 Claim, 1 Drawing Sheet



US D623,049 S

Page 2

U.S. PATENT DOCUMENTS

D412,435 S * 8/1999 Cultice, Jr. D8/397
5,996,779 A * 12/1999 Klardie et al. 206/63.5
D478,806 S * 8/2003 McDonough et al. D8/387
D488,715 S * 4/2004 Plumer D8/397
D501,138 S * 1/2005 Uchiyama D9/439
RE38,788 E * 9/2005 Satou et al. 16/2.1
D520,351 S * 5/2006 Alkalay et al. D8/382
D526,332 S * 8/2006 McCurdy, Jr. D15/5
D539,129 S * 3/2007 Griffiths D8/382
D556,905 S * 12/2007 Barry D24/155

D600,546 S * 9/2009 Scilingo et al. D8/397
D606,853 S * 12/2009 Shapiro et al. D8/397
2006/0099048 A1 * 5/2006 Ward et al. 411/432
2009/0189311 A1 * 7/2009 Quillin et al. 264/300

OTHER PUBLICATIONS

Caplugs . . . plastic and metal closures. Catalog/Price list 974. Issued Oct. 1, 1974. p. 28. Image shown on p. 3 of Office Action dated Jan. 26, 2010.*

* cited by examiner

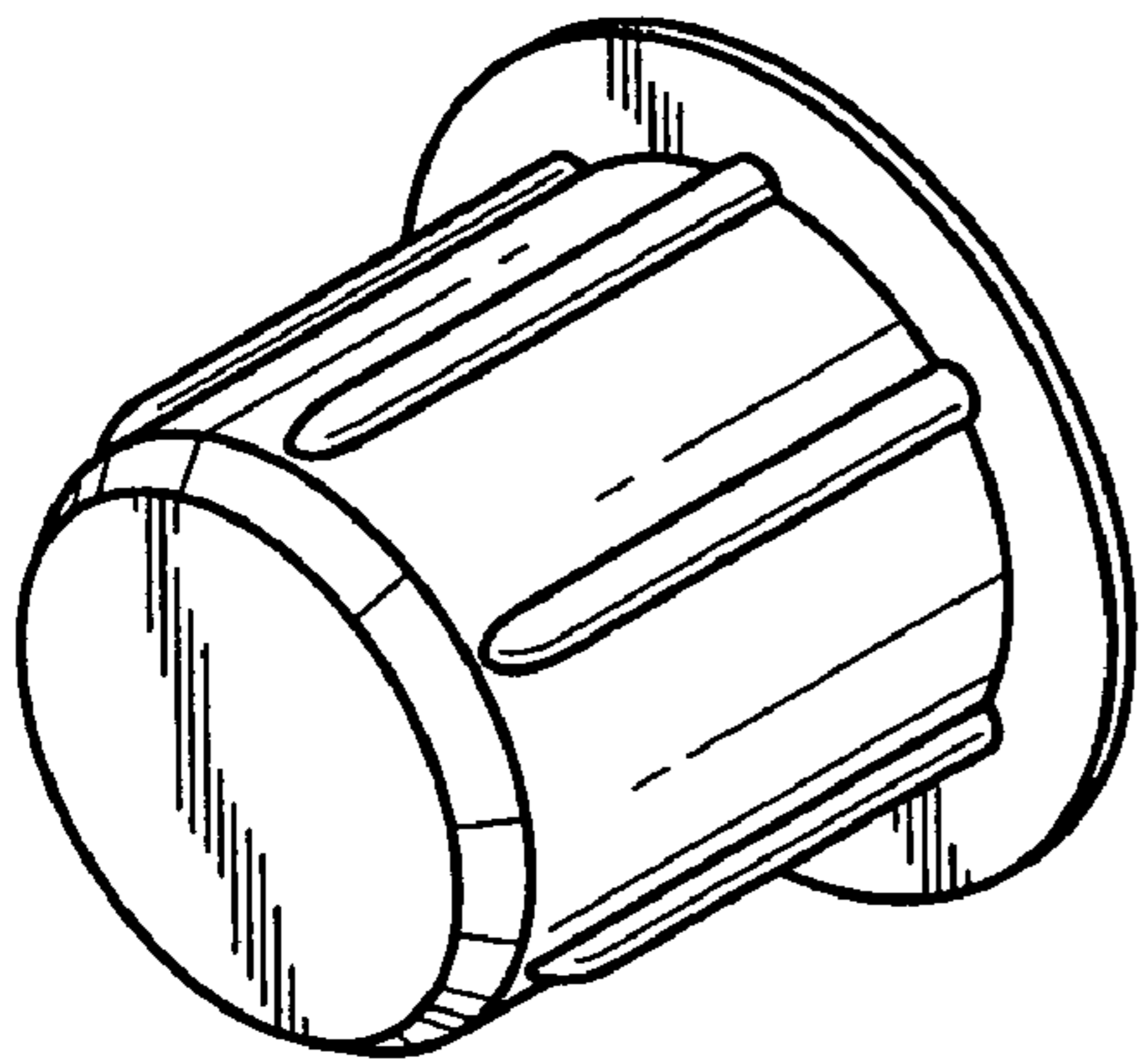


FIG. 1

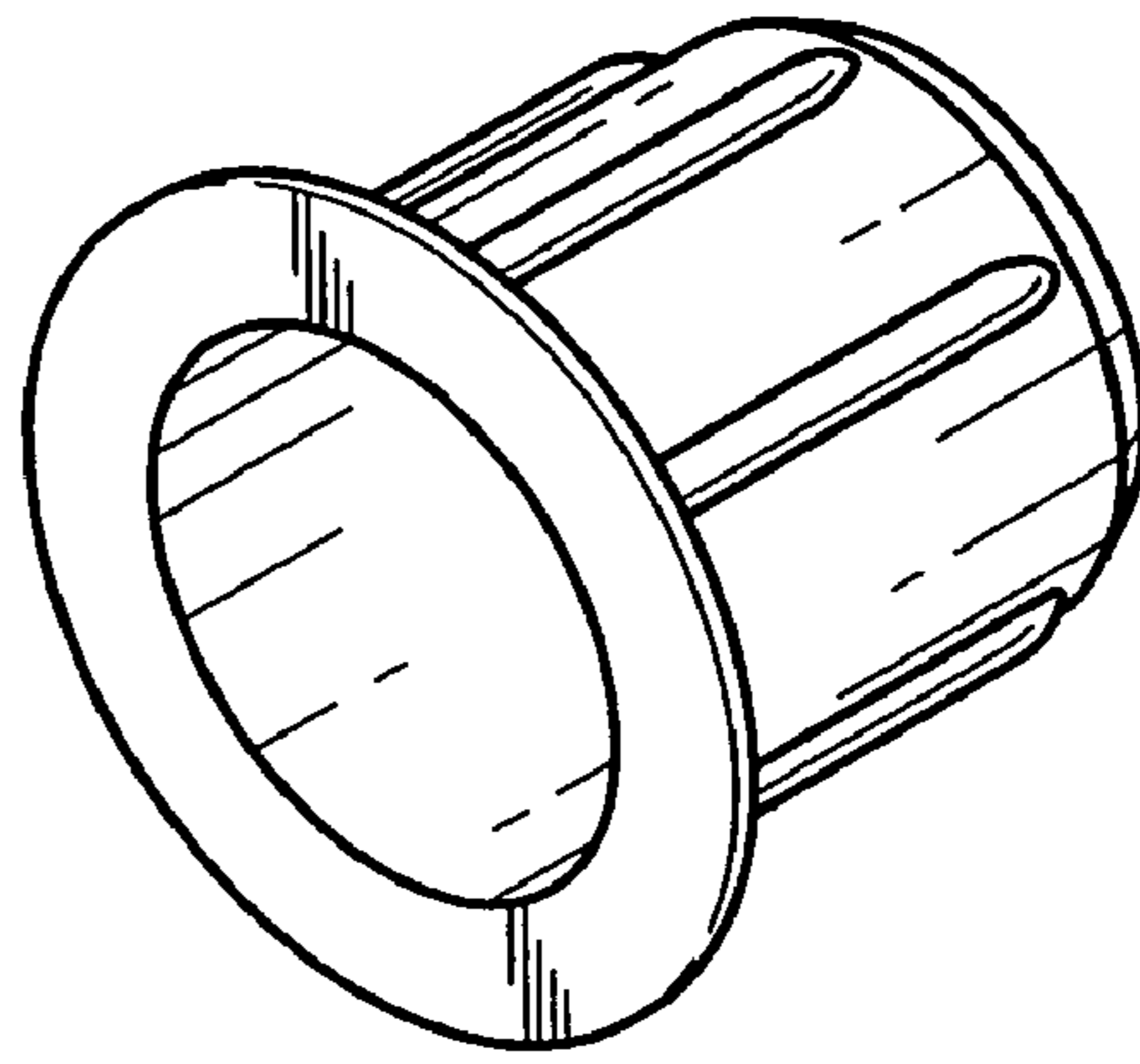


FIG. 2

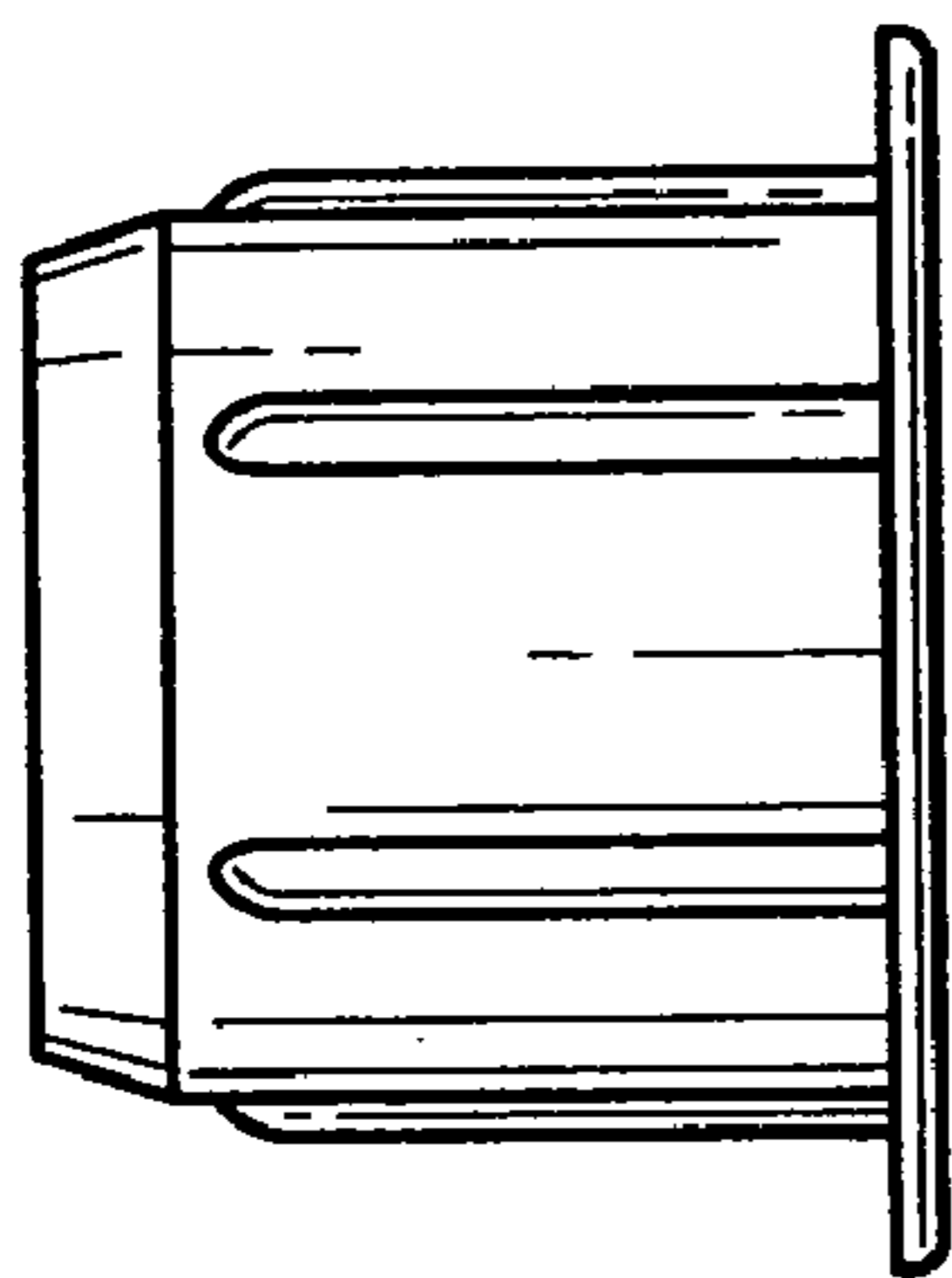


FIG. 3

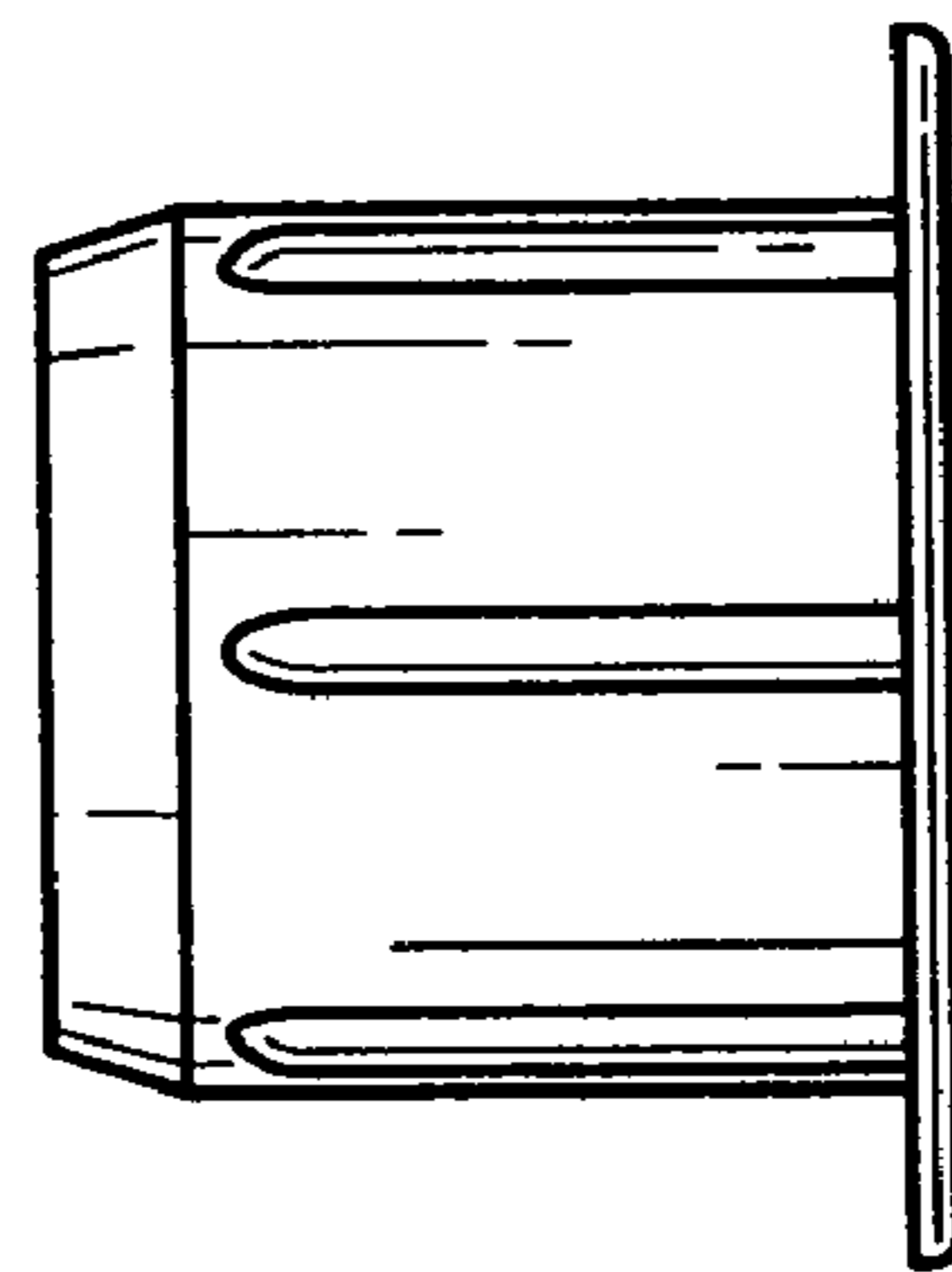


FIG. 4

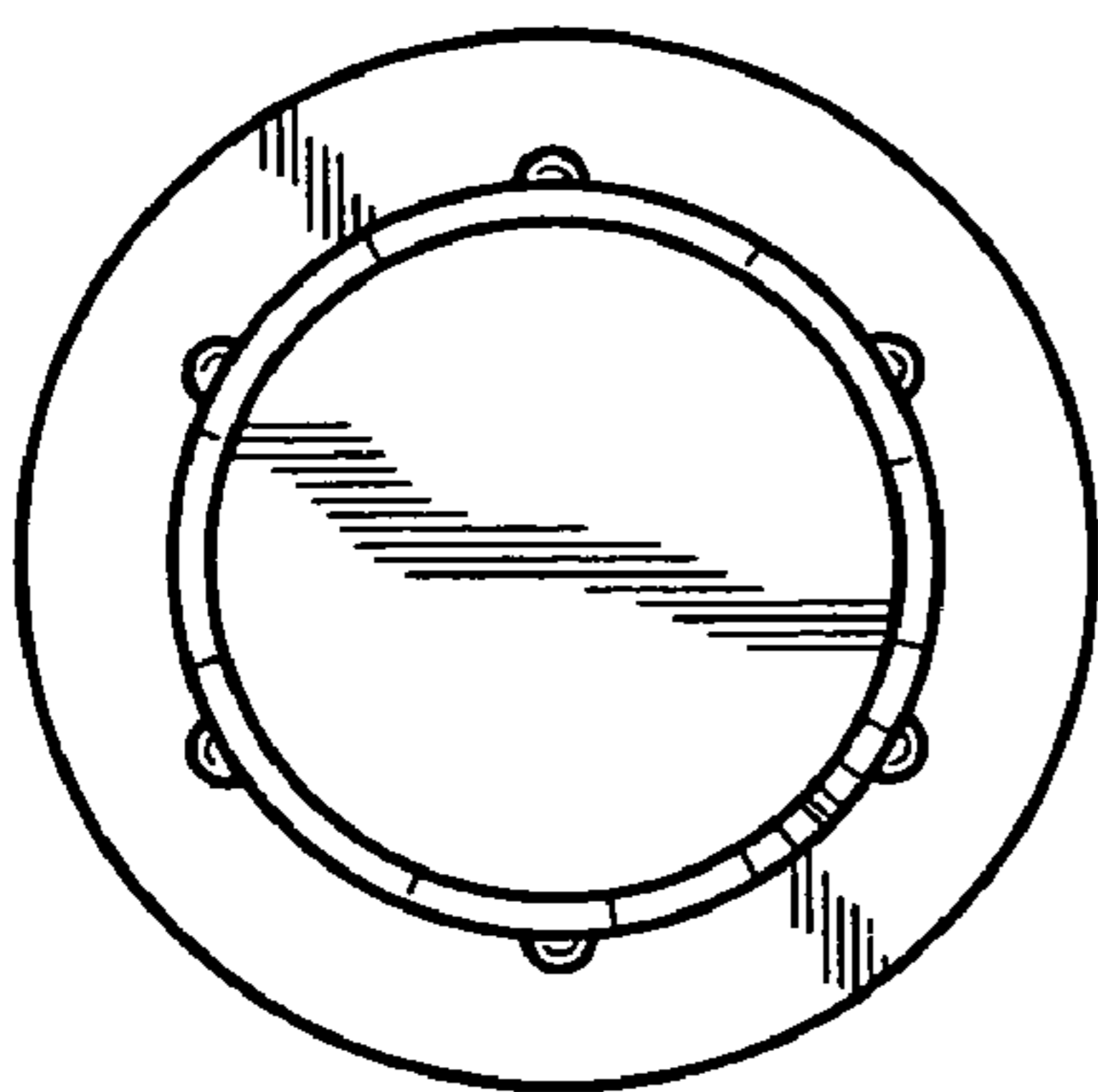


FIG. 5

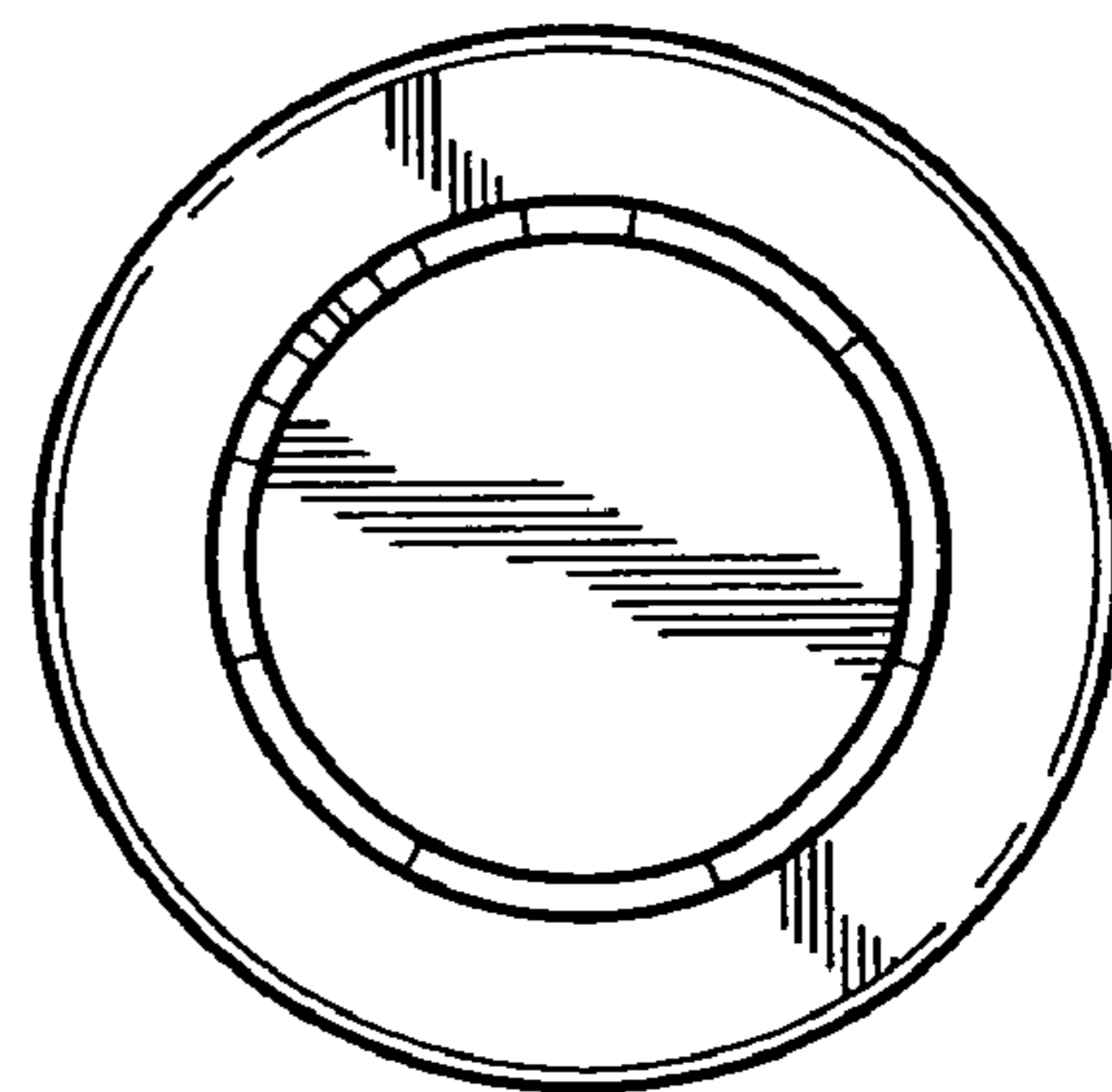


FIG. 6