



US00D623045S

(12) **United States Design Patent**
Moncade et al.

(10) **Patent No.:** **US D623,045 S**

(45) **Date of Patent:** **** *Sep. 7, 2010**

(54) **SPACER**

(75) Inventors: **Walter Moncade**, St. Bruno (CA);
David Veilleux, Stillwater, MN (US)

(73) Assignee: **152310 Canada** (CA)

(*) Notice: This patent is subject to a terminal disclaimer.

(**) Term: **14 Years**

(21) Appl. No.: **29/337,967**

(22) Filed: **Jun. 2, 2009**

(51) **LOC (9) Cl.** **08-05**

(52) **U.S. Cl.** **D8/354**

(58) **Field of Classification Search** D8/300,
D8/307, 310, 312, 349, 353, 354, 373, 374,
D8/375, 382; D7/393; D19/54, 79, 84, 90;
D21/113, 116, 488, 386, 390, 623; 248/125.1,
248/127, 146, 158, 205.1, 205.3, 309.1, 310,
248/314, 346.03, 357, 518, 519, 523, 539,
248/541, 683; D12/223; D11/182; 16/441,
16/443, 444, 445

See application file for complete search history.

(56) **References Cited**

U.S. PATENT DOCUMENTS

963,053 A * 7/1910 Lockwood 16/441
D209,142 S * 11/1967 Carlson D8/353
D221,616 S * 8/1971 Hollander D8/374
D241,615 S * 9/1976 King D8/373

D295,258 S * 4/1988 Niwa D8/354
D301,681 S * 6/1989 Jans D8/312
D325,605 S * 4/1992 Holmstrom D21/623
D327,215 S * 6/1992 Pestone D8/373
D364,084 S * 11/1995 Yaich D8/356
D417,135 S * 11/1999 McMahon D8/354
D434,962 S * 12/2000 Short D8/310
D452,424 S * 12/2001 Simpson, Sr. D8/107
D467,312 S * 12/2002 Singtoroj D8/310
D545,664 S * 7/2007 Fields D8/310
D554,469 S * 11/2007 Sato D8/310
D565,937 S * 4/2008 Tsai D8/363
D569,219 S * 5/2008 Sjogren D8/310
D593,843 S * 6/2009 Hutter, III D8/354
D594,314 S * 6/2009 Hutter, III D8/354
D594,735 S * 6/2009 Hofer D8/349

* cited by examiner

Primary Examiner—Philip S Hyder

Assistant Examiner—Cynthia M Chin

(74) *Attorney, Agent, or Firm*—James A. Italia; Italia IP

(57) **CLAIM**

The ornamental design for a spacer, as shown and described.

DESCRIPTION

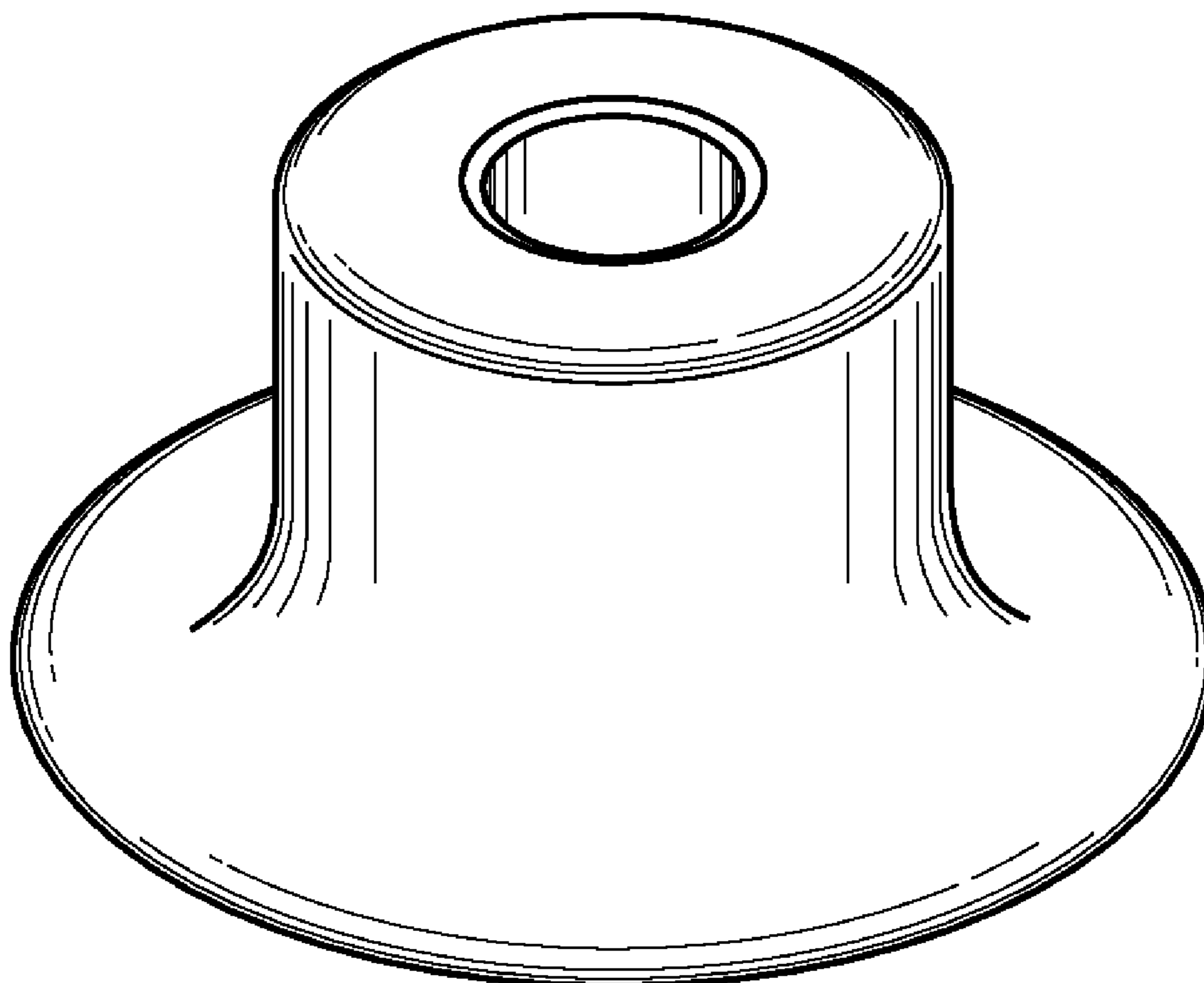
FIG. 1 is a perspective view of a spacer, showing my new design;

FIG. 2 is a front elevational view of the invention, of which the rear, left, and right side views are identical;

FIG. 3 is a top plan view of the invention; and,

FIG. 4 is a bottom plan view of the invention.

1 Claim, 2 Drawing Sheets



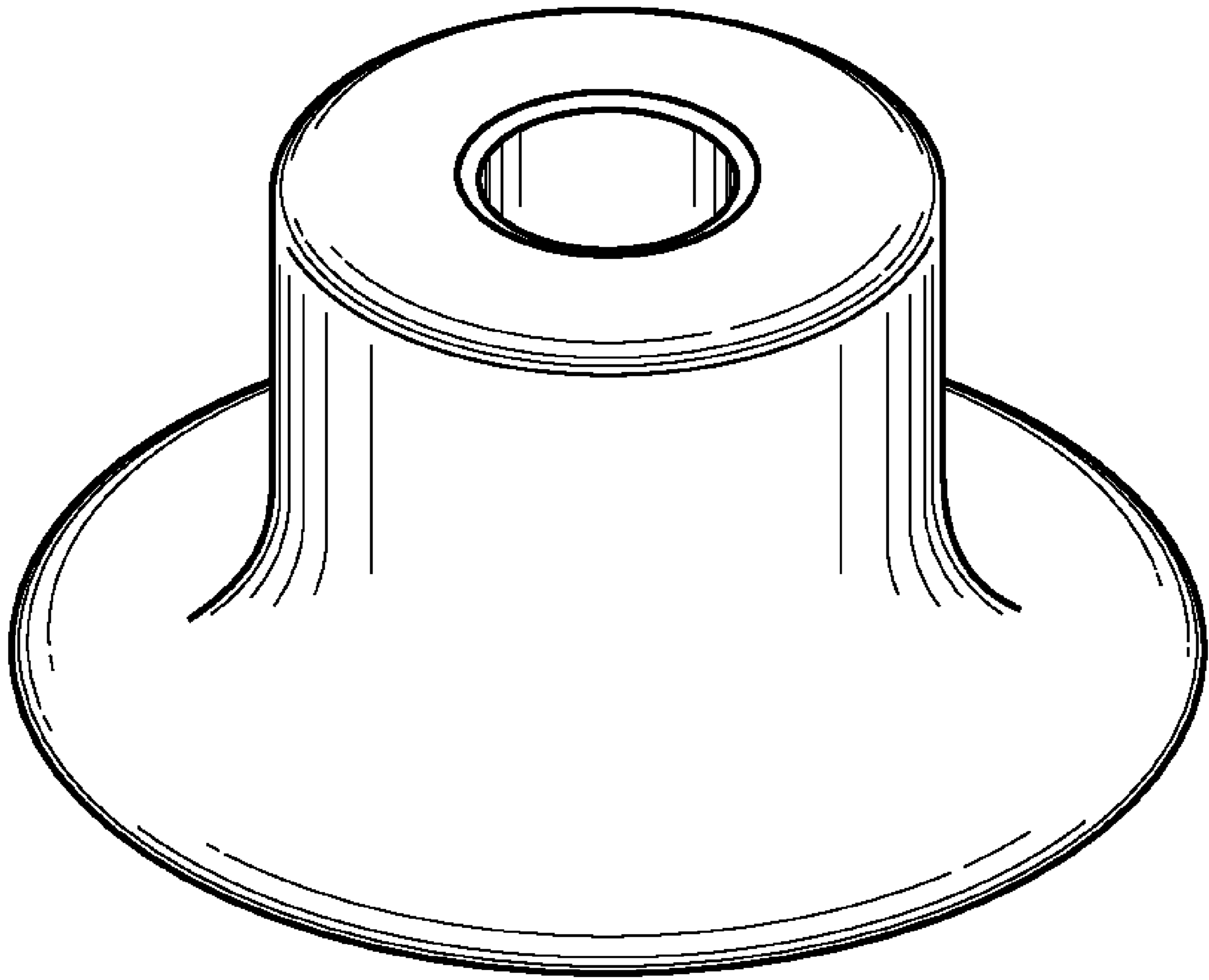


FIG. 1

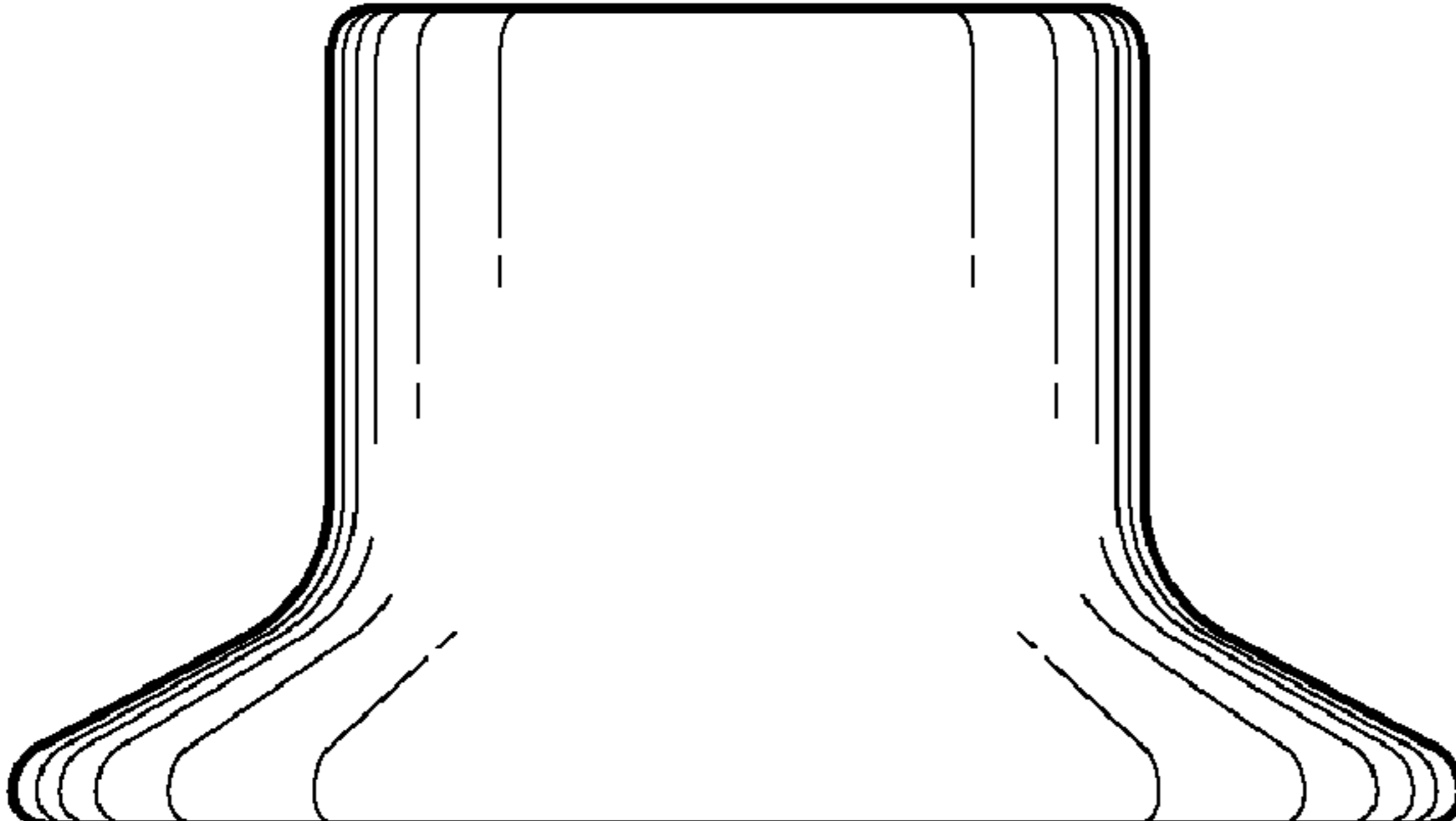


FIG. 2

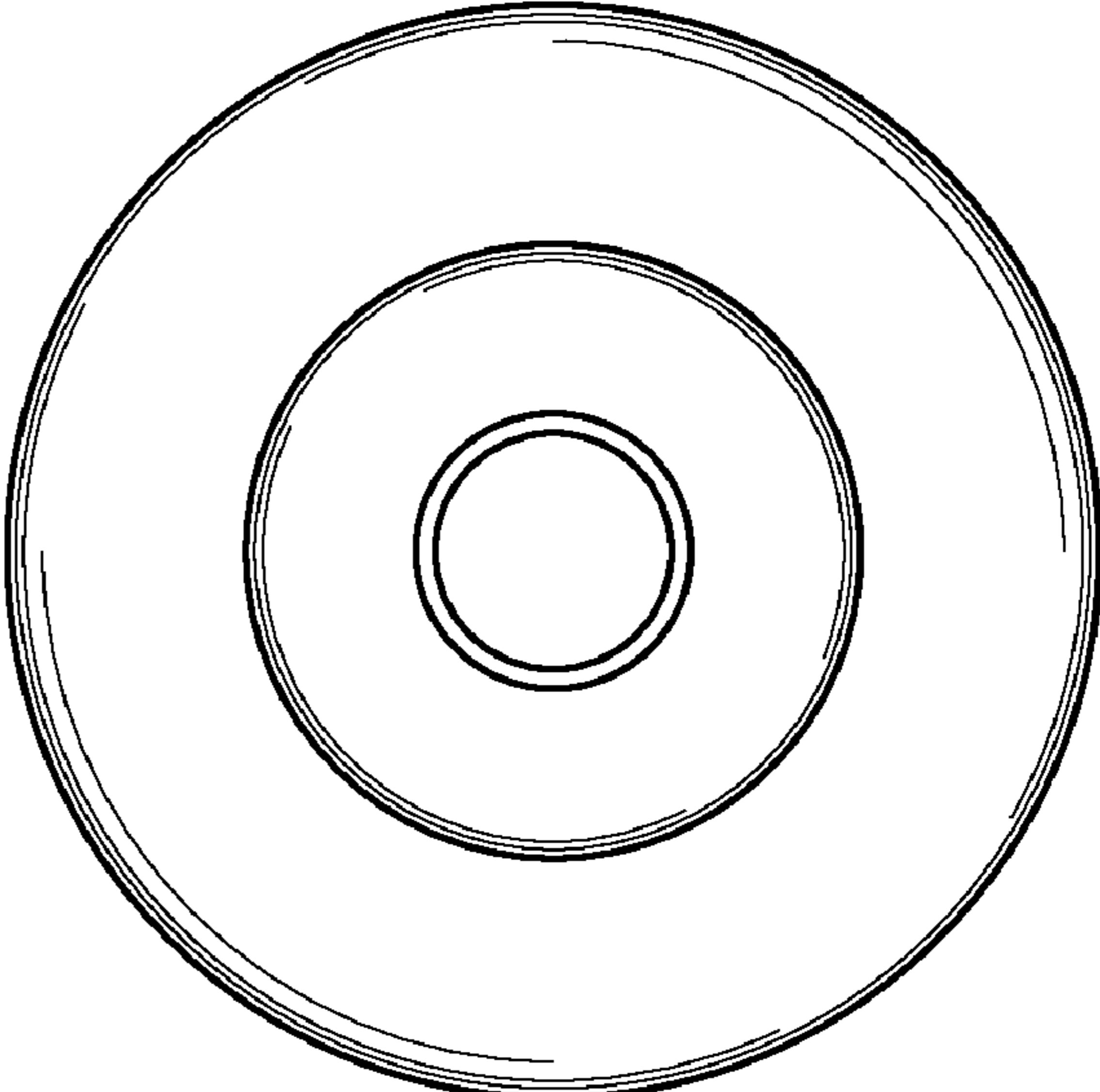


FIG. 3

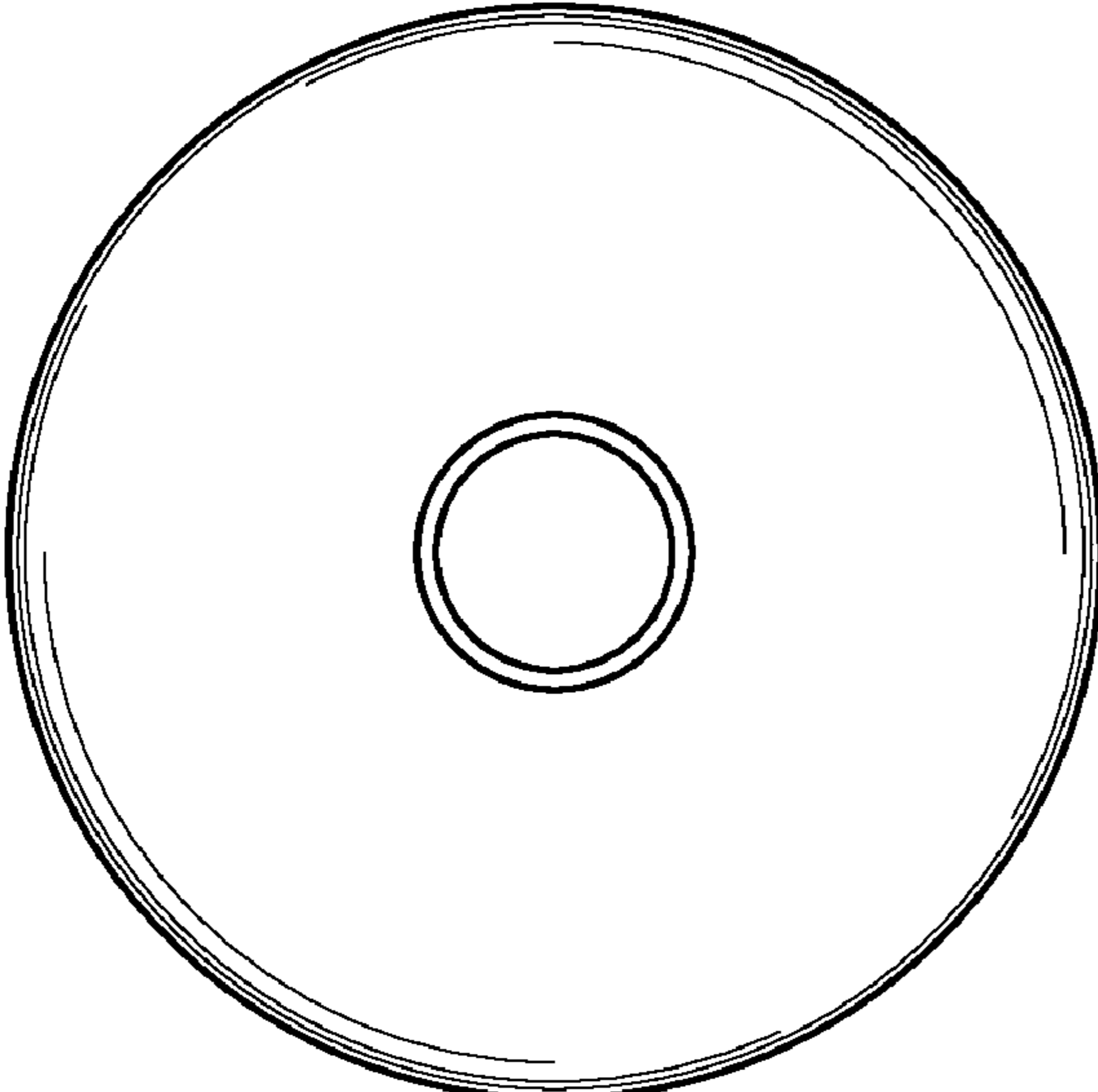


FIG. 4