



US00D623044S

(12) **United States Design Patent**  
**Tezak et al.**

(10) **Patent No.:** **US D623,044 S**  
(45) **Date of Patent:** **\*\* Sep. 7, 2010**

(54) **MOUNTING BRACKET UNIT FOR A HYDRAULIC CYLINDER**

(75) Inventors: **Robert J. Tezak**, Carol Stream, IL (US);  
**James E. Brown**, Naperville, IL (US);  
**Robert C. Signaigo**, Lemont, IL (US)

(73) Assignee: **Control Solutions LLC**, Aurora, IL (US)

(\*\*) Term: **14 Years**

(21) Appl. No.: **29/351,289**

(22) Filed: **Dec. 3, 2009**

(51) **LOC (9) Cl.** ..... **08-05**

(52) **U.S. Cl.** ..... **D8/349**

(58) **Field of Classification Search** ..... D8/349,  
D8/354, 356, 366, 373, 380, 382, 394, 395;  
D12/223, 162, 400; D13/133; D14/229;  
248/200, 205.1, 207, 209, 300, 309.1, 351,  
248/352, 682, 262–265

See application file for complete search history.

(56) **References Cited**

U.S. PATENT DOCUMENTS

D270,516 S *	9/1983	Achille .....	D8/354
D289,852 S *	5/1987	Tuvelson .....	D8/373
D304,293 S *	10/1989	McCarthy .....	D8/349
D371,504 S *	7/1996	Massie .....	D8/349
D400,428 S *	11/1998	Sabounjian .....	D8/382
D404,996 S *	2/1999	Ross .....	D8/382
D457,805 S *	5/2002	Machijima .....	D8/354
D460,734 S *	7/2002	Carlson .....	D12/223

D467,790 S *	12/2002	Roberts et al. ....	D8/356
D483,650 S *	12/2003	Squillante et al. ....	D8/349
D504,304 S *	4/2005	Hancock .....	D8/354
D504,609 S *	5/2005	Ferguson .....	D8/380
D522,348 S *	6/2006	Hansen .....	D8/354
D531,890 S *	11/2006	Bentrim .....	D8/382
D548,571 S *	8/2007	Bigelow et al. ....	D8/349
D595,116 S *	6/2009	Sipe .....	D8/354
D598,730 S *	8/2009	Luo et al. ....	D8/354
D598,734 S *	8/2009	Miranda et al. ....	D8/363
D615,847 S *	5/2010	Tezak et al. ....	D8/349

\* cited by examiner

*Primary Examiner*—Melody N Brown

(74) *Attorney, Agent, or Firm*—The Eclipse Group LLP

(57) **CLAIM**

We claim the ornamental design for a mounting bracket unit for a hydraulic cylinder, as shown and described.

**DESCRIPTION**

FIG. 1 is a perspective view of the mounting bracket unit for a hydraulic cylinder;

FIG. 2 is a right side view thereof;

FIG. 3 is a left side view thereof;

FIG. 4 is a front view thereof;

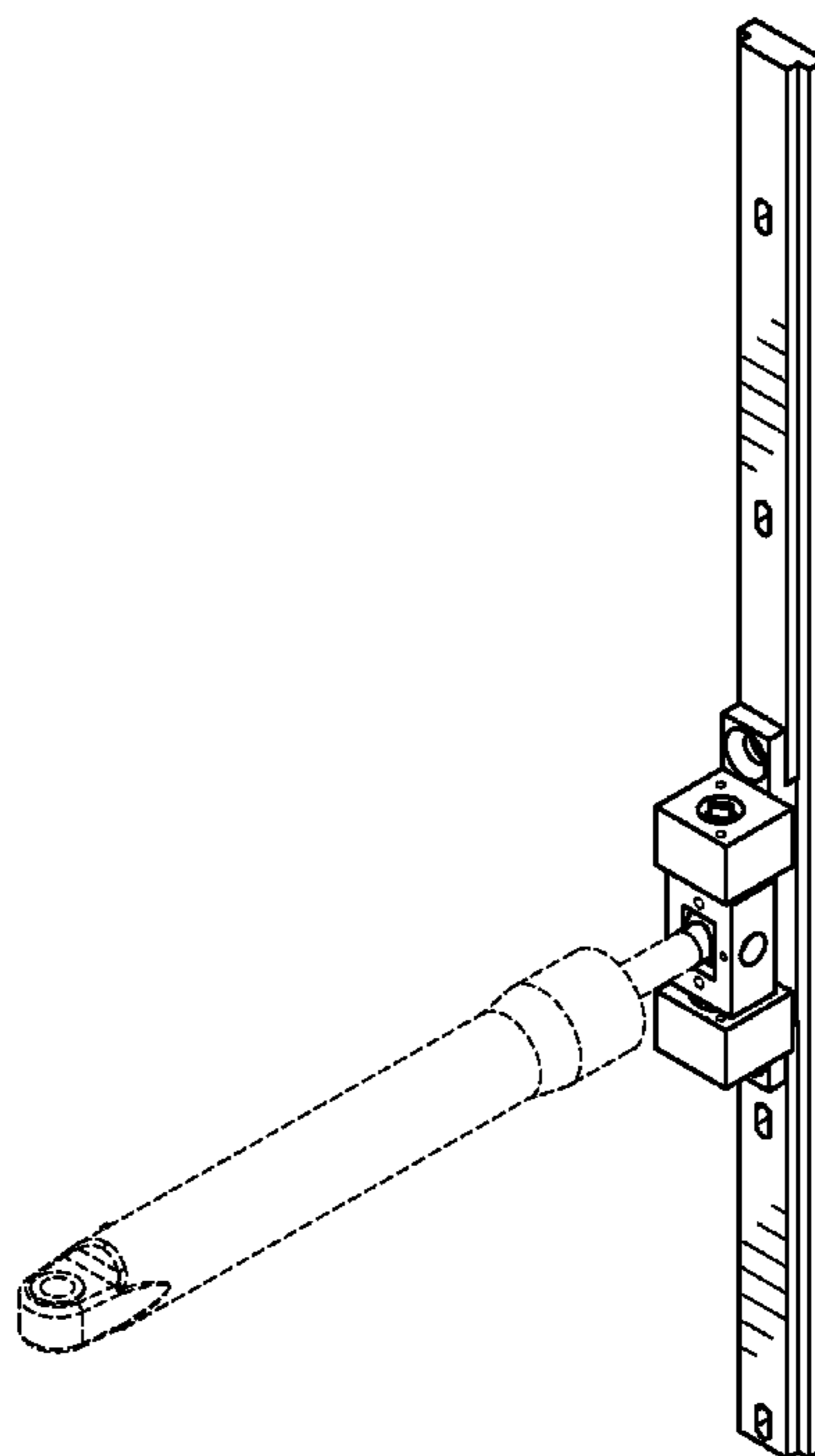
FIG. 5 is a rear view thereof;

FIG. 6 is a top view thereof; and,

FIG. 7 is a bottom view thereof.

The dashed lines in various figures are for illustrative purposes only and form no part of the claimed design.

**1 Claim, 5 Drawing Sheets**



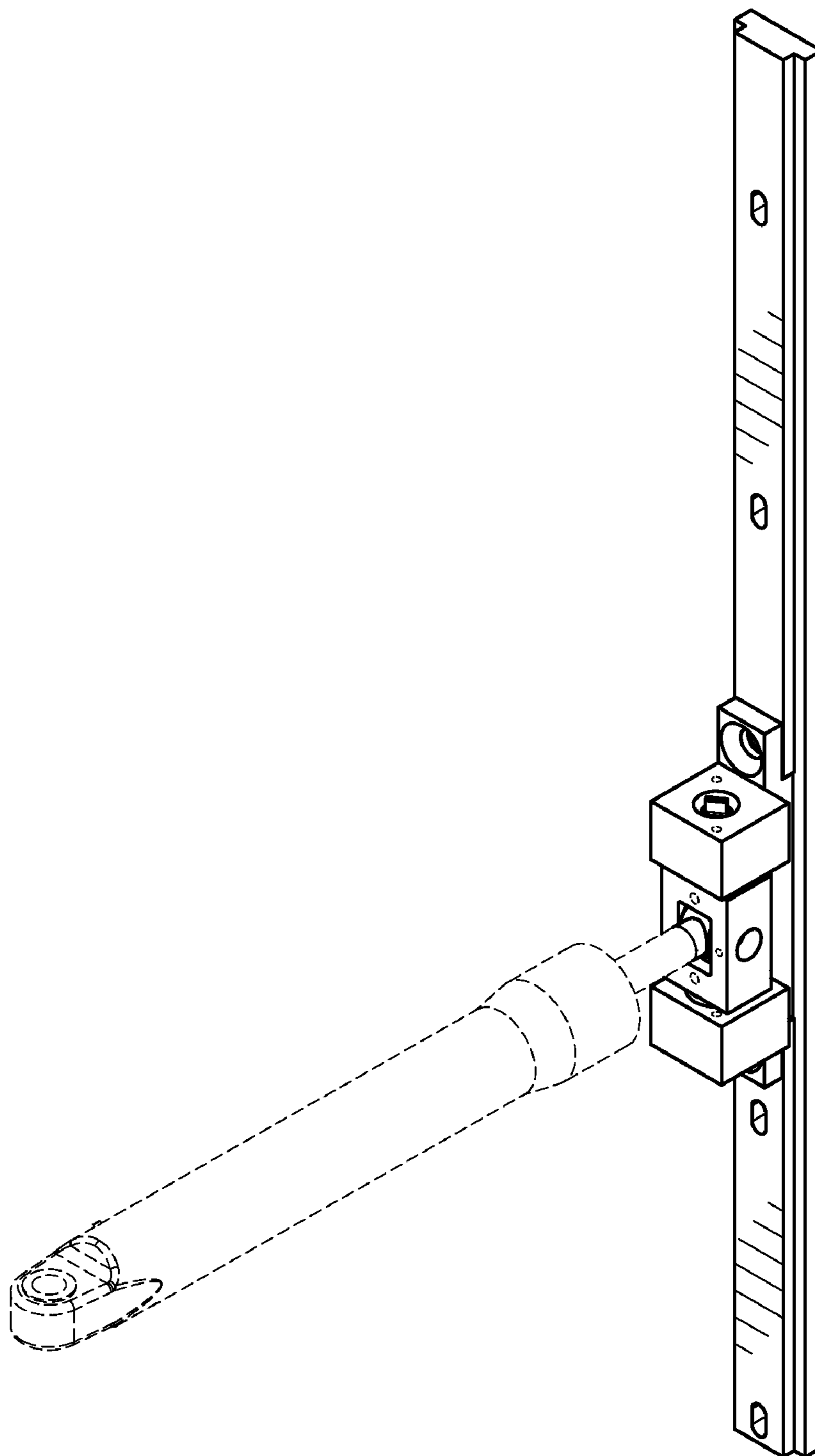


FIG. 1

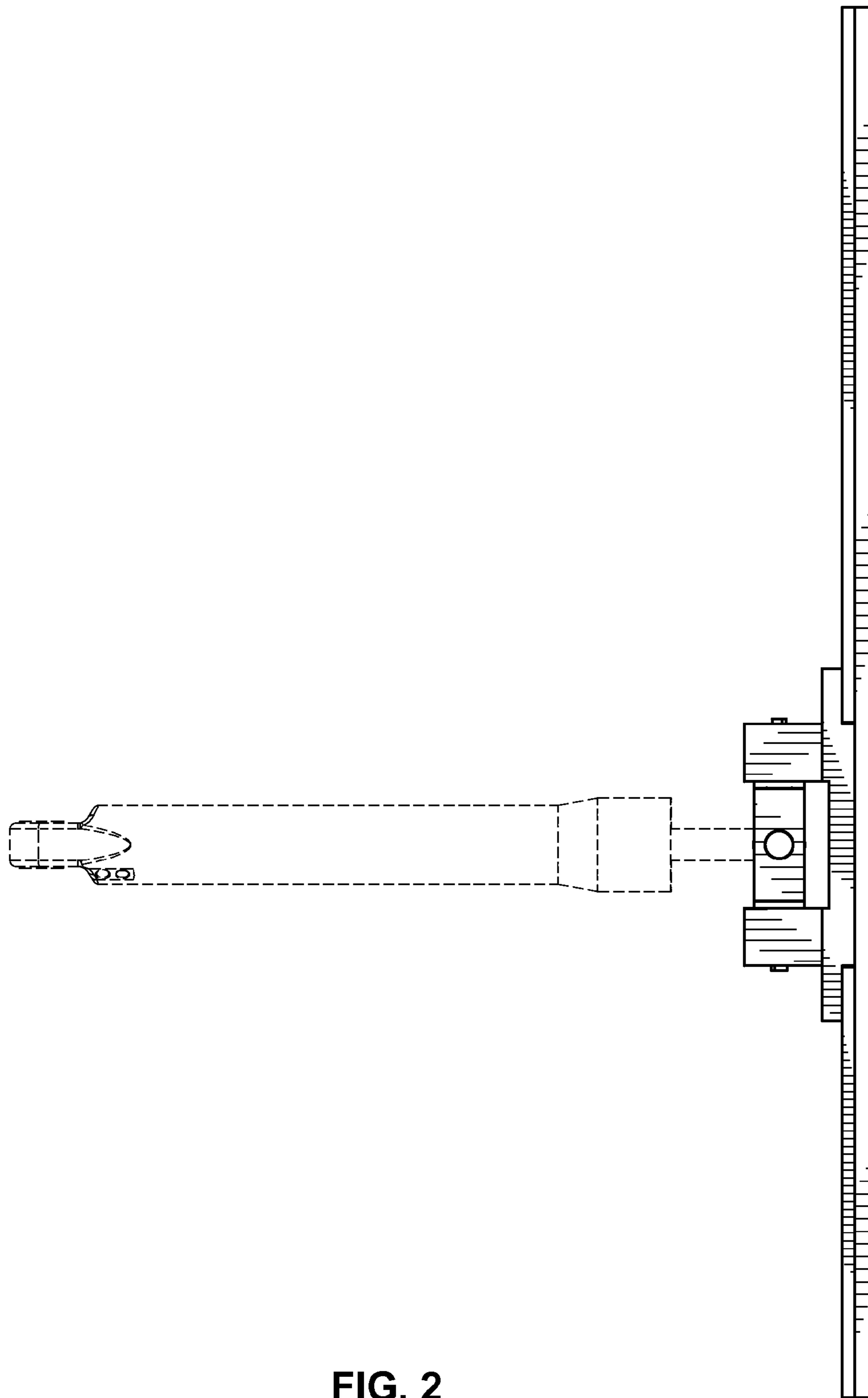


FIG. 2

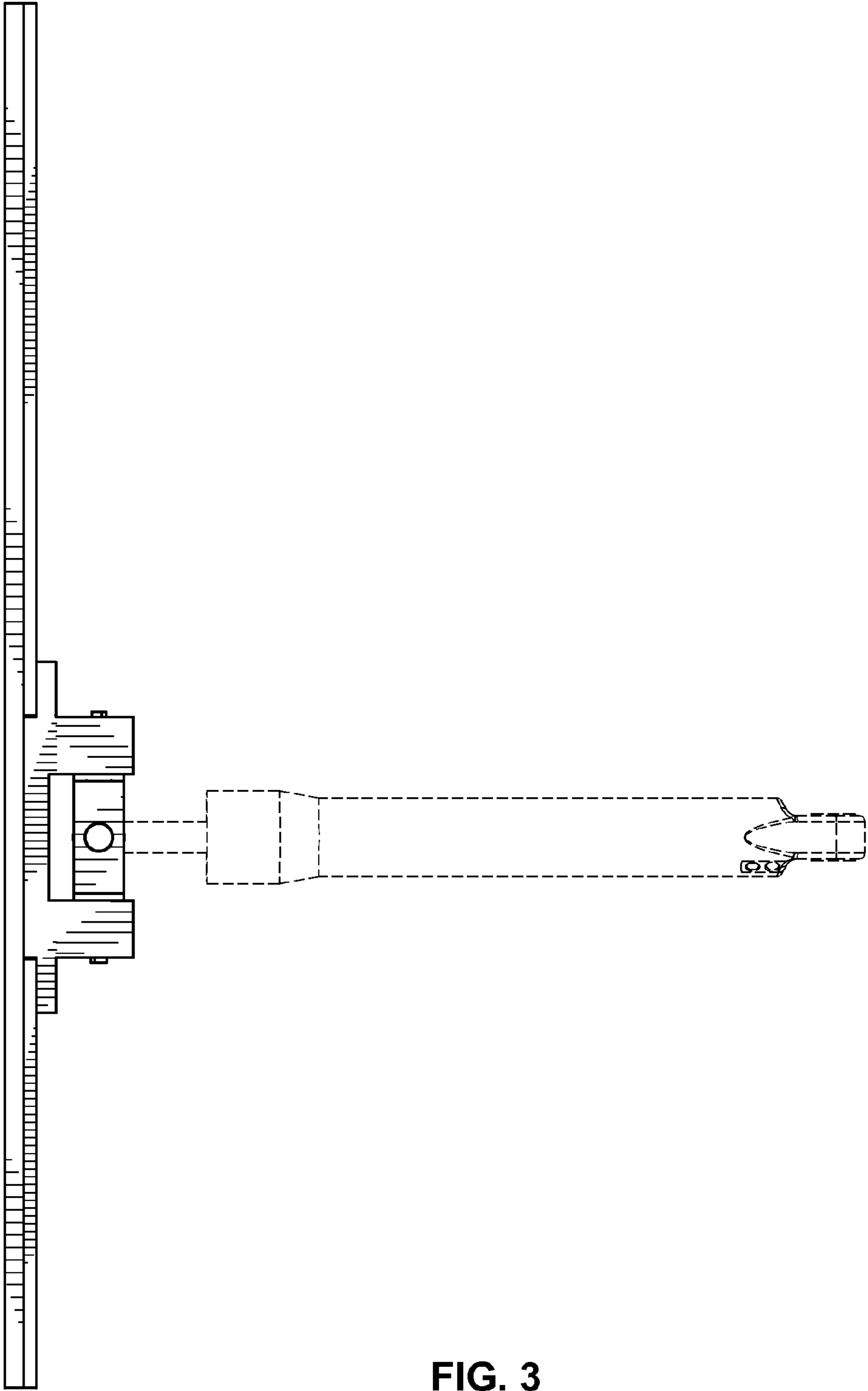


FIG. 3

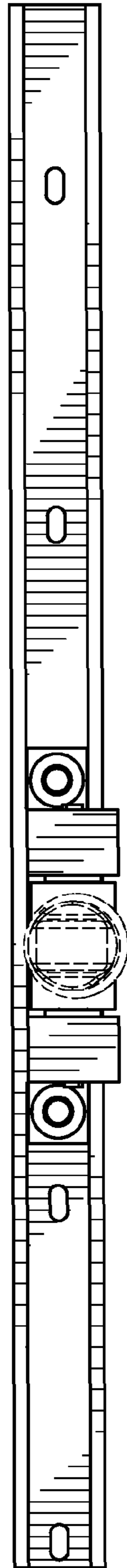


FIG. 4

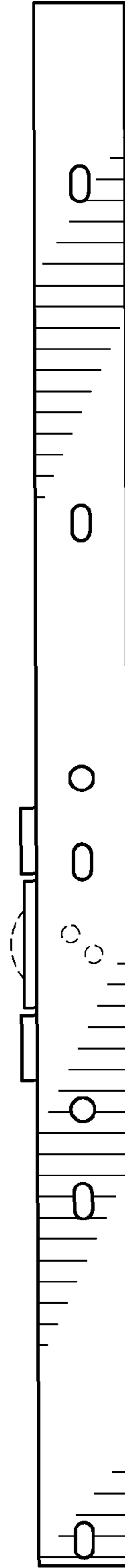


FIG. 5

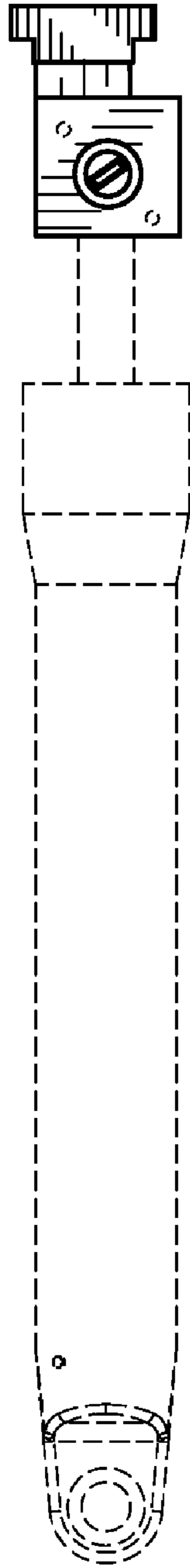


FIG. 6

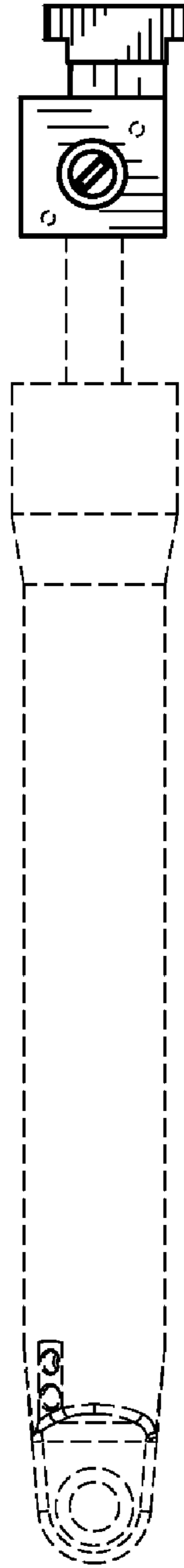


FIG. 7