



US00D623043S

(12) **United States Design Patent**
Riddiford

(10) **Patent No.:** **US D623,043 S**

(45) **Date of Patent:** **** Sep. 7, 2010**

(54) **NAVIGATION DEVICE MOUNT FOR USE ON
A HANDGRIP OF A VEHICLE**

D581,855 S * 12/2008 Arol D12/317

* cited by examiner

(75) Inventor: **Martin Riddiford**, London (GB)

Primary Examiner—Melody N Brown

(73) Assignee: **TomTom International B.V.**,
Amsterdam (NL)

(74) *Attorney, Agent, or Firm*—Harness, Dickey & Pierce,
P.L.C.

(**) Term: **14 Years**

(57) **CLAIM**

(21) Appl. No.: **29/344,729**

The ornamental design for a navigation device mount for use
on a handgrip of a vehicle, as shown and described.

(22) Filed: **Oct. 2, 2009**

DESCRIPTION

(51) **LOC (9) Cl.** **08-05**

FIG. 1 is a perspective view of a navigation device mount for
use on a handgrip of a vehicle showing our new design;

(52) **U.S. Cl.** **D8/349**

FIG. 2 is a right side view thereof;

(58) **Field of Classification Search** D8/349,
D8/354, 300, 303, 306, 310, 107, DIG. 9–DIG. 12,
D8/338, 317, 318; D12/179; 74/551.9, 473.1,
74/473.12; 16/110.1, 421, 430

FIG. 3 is a left side view thereof;

FIG. 4 is a front view thereof;

FIG. 5 is a rear view thereof;

FIG. 6 is a top view thereof; and,

FIG. 7 is a bottom view thereof.

See application file for complete search history.

The broken lines shown in the drawings are for illustrative
purposes only and from no part of the claimed design.

(56) **References Cited**

U.S. PATENT DOCUMENTS

- D387,649 S * 12/1997 Concari et al. D8/107
- D509,421 S * 9/2005 Gehry D8/300
- D509,422 S * 9/2005 Gehry D8/300

1 Claim, 4 Drawing Sheets

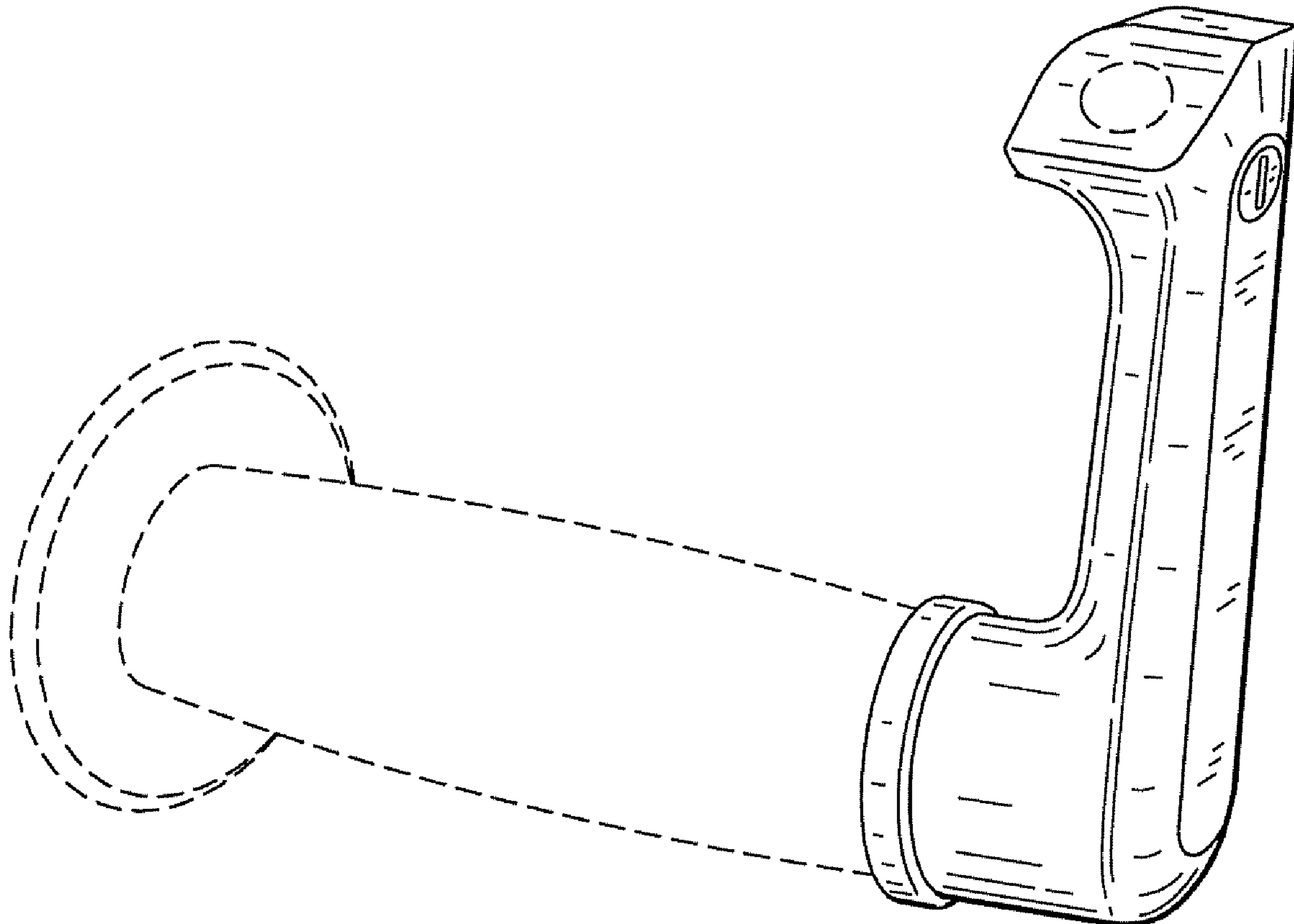


FIG. 1

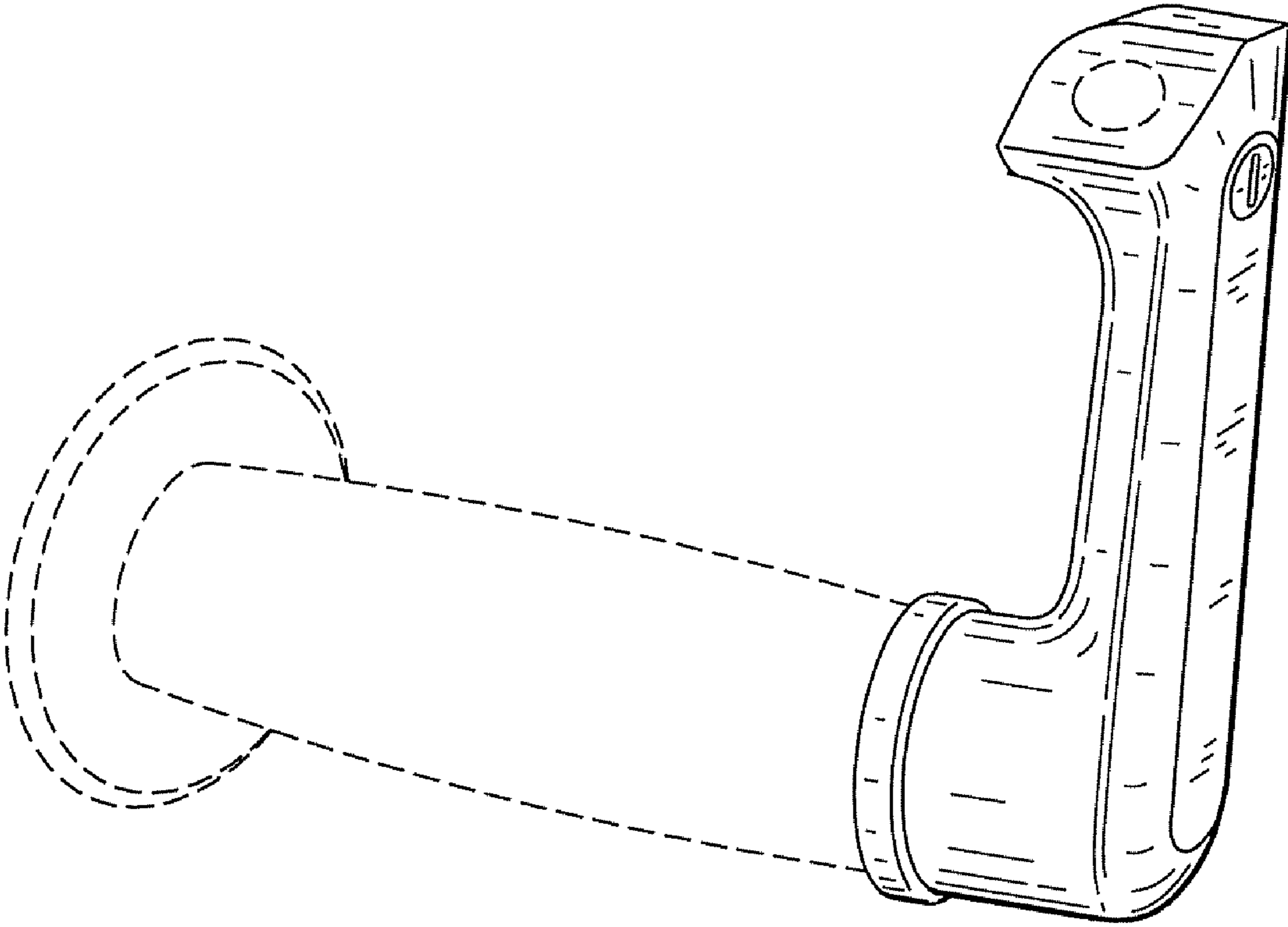


FIG. 2

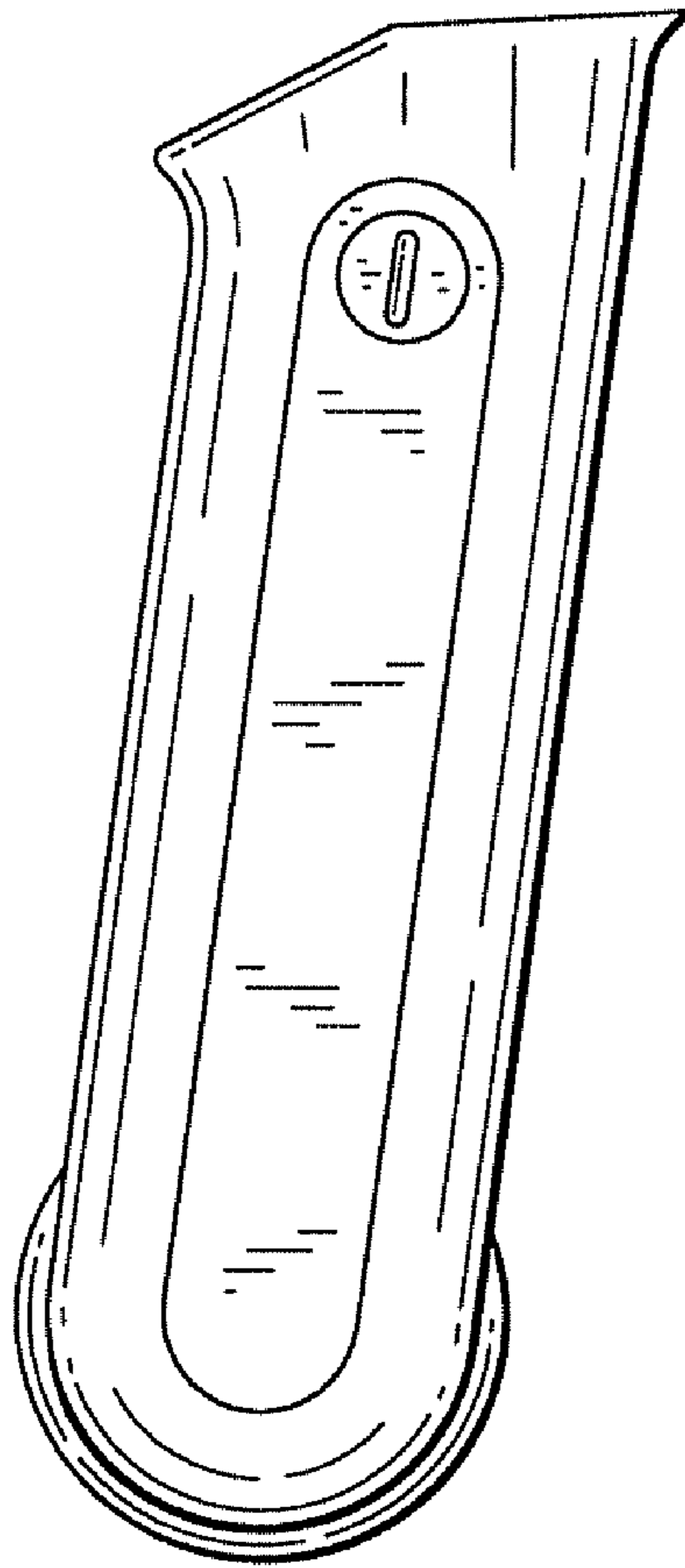


FIG. 3

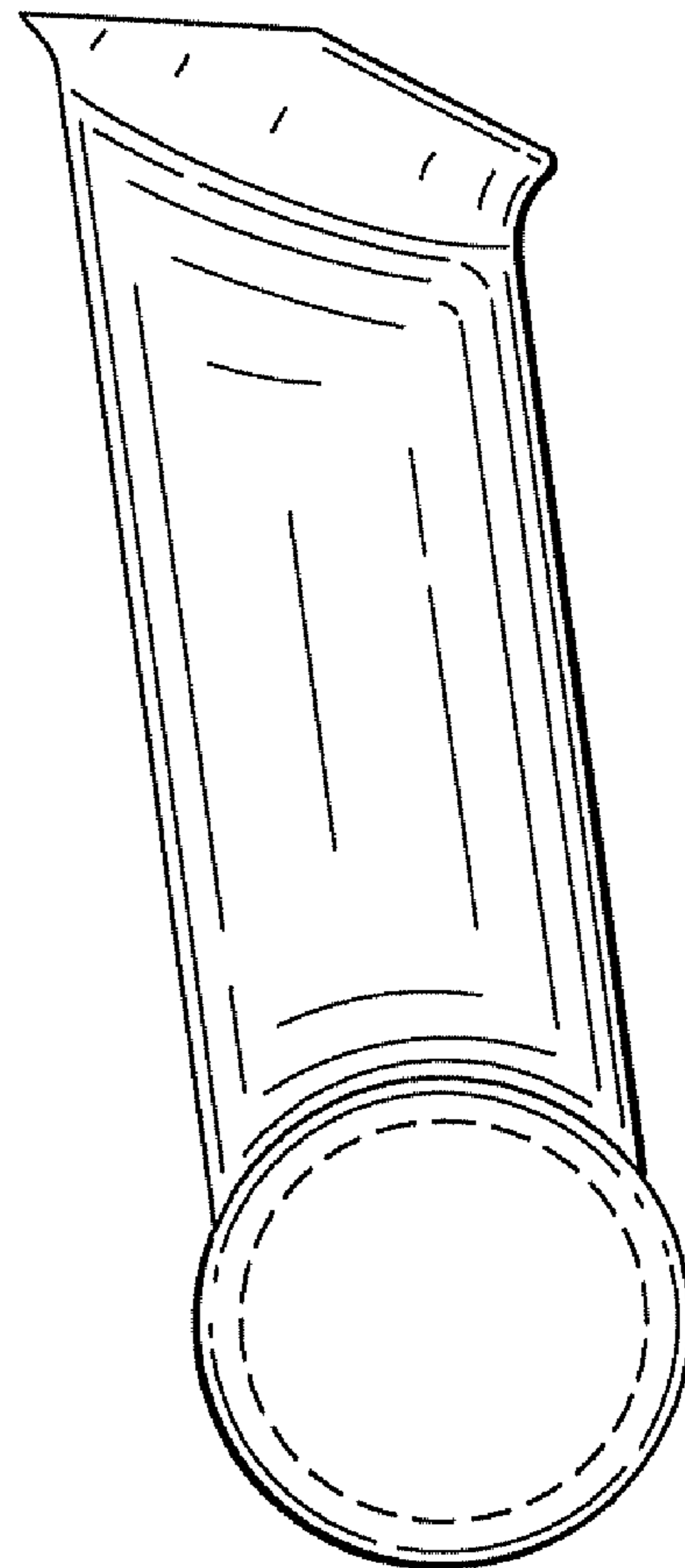


FIG. 4

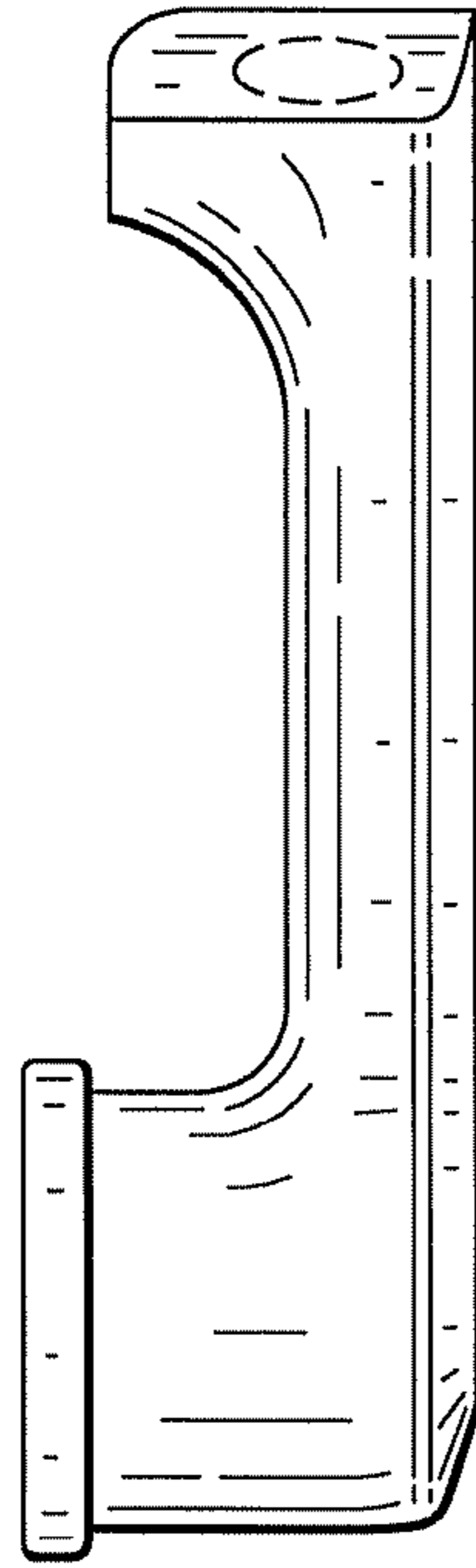


FIG. 5

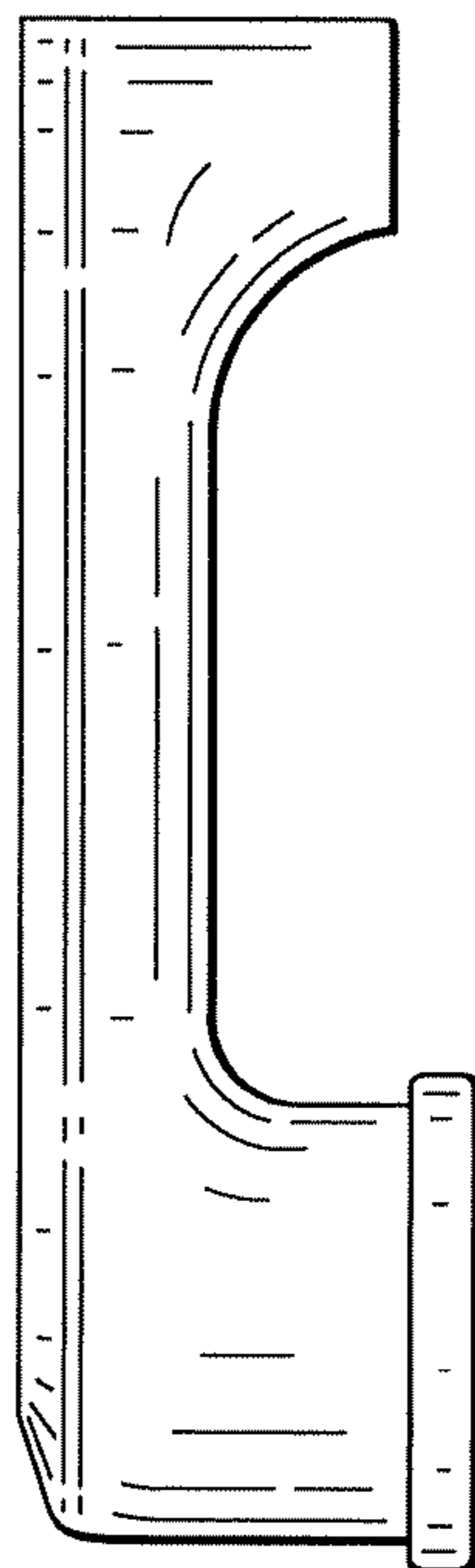


FIG. 6

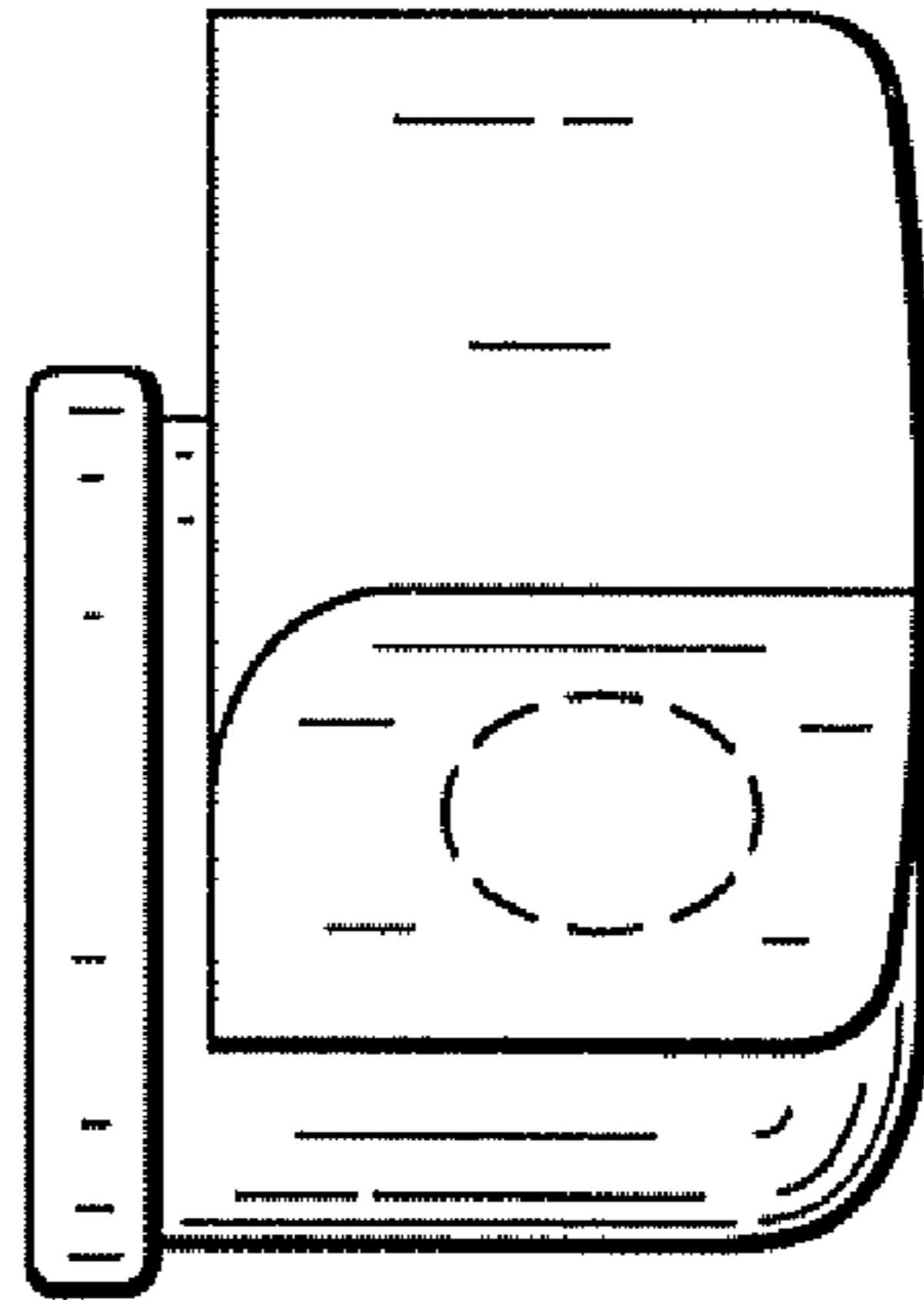


FIG. 7

