



US00D623042S

(12) **United States Design Patent**
Ranshaw et al.

(10) **Patent No.:** **US D623,042 S**
(45) **Date of Patent:** **** Sep. 7, 2010**

(54) **ILLUMINATED KEY COVER**

(76) Inventors: **Daniel M. Ranshaw**, 7 Bayberry Ct., Apt. B, Ormand Beach, FL (US) 31276; **Robert Rensel**, 7 Bayberry Ct., Apt. B, Ormand Beach, FL (US) 31276; **Marcin Waszkiewicz**, 7 Bayberry Ct., Apt. B, Ormand Beach, FL (US) 31276

(**) Term: **14 Years**

(21) Appl. No.: **29/357,407**

(22) Filed: **Mar. 11, 2010**

(51) **LOC (9) Cl.** **08-07**

(52) **U.S. Cl.** **D8/347**

(58) **Field of Classification Search** D8/347, D8/348; 70/336, 246, 353, 355, 429, 430, 70/431, 453, 455, 466; 362/100

See application file for complete search history.

(56) **References Cited**

U.S. PATENT DOCUMENTS

3,310,668	A	3/1967	Schwartz	
3,377,475	A	4/1968	Frigon	
D244,081	S *	4/1977	Steinbach	D8/347
4,085,315	A	4/1978	Wolter et al.	
D253,160	S *	10/1979	Steinbach	D8/347
D263,433	S	3/1982	Cunha	
4,787,016	A	11/1988	Song	
D304,130	S	10/1989	Song	
D314,056	S	1/1991	Law	
D317,249	S *	6/1991	Gitlin	D8/347
5,729,057	A *	3/1998	Frenzel et al.	307/10.3
5,927,846	A	7/1999	Sinclair	
6,182,484	B1	2/2001	Wolter	
6,473,022	B1 *	10/2002	Wu	341/176
6,604,308	B1 *	8/2003	Robles	40/330

7,036,950	B1 *	5/2006	Freeman et al.	362/100
7,159,993	B1	1/2007	Lu	
7,360,383	B1 *	4/2008	Chang	70/395
D569,227	S *	5/2008	Boenisch	D8/347
D592,935	S *	5/2009	Mesh et al.	D8/347
2003/0128539	A1 *	7/2003	Liu	362/100
2005/0073831	A1 *	4/2005	Parsons	362/100
2005/0270767	A1 *	12/2005	Doong et al.	362/100

* cited by examiner

Primary Examiner—Prabhakar Deshmukh

(74) *Attorney, Agent, or Firm*—Montgomery Patent and Design; Joseph T. Yakisch; Robert C. Montgomery

(57) **CLAIM**

The ornamental design for an illuminated key cover, as shown and described.

DESCRIPTION

FIG. 1 is a front perspective view of an illuminated key cover depicted in an in-use state, showing our new design;

FIG. 2 is a front perspective view of the illuminated key cover;

FIG. 3 is a bottom perspective view thereof;

FIG. 4 is a front view thereof;

FIG. 5 is a rear view thereof;

FIG. 6 is a left side view thereof;

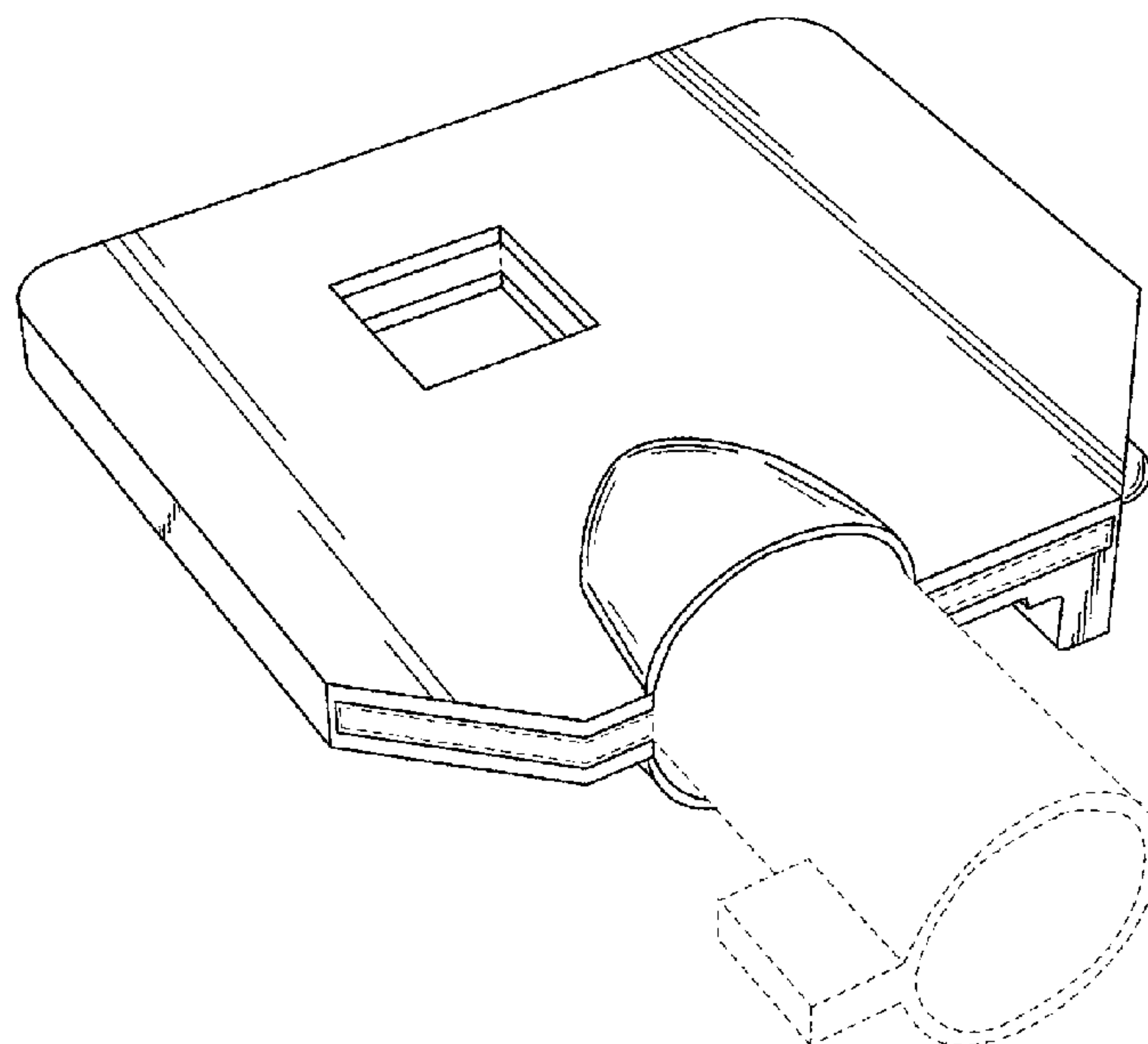
FIG. 7 is a right side view thereof;

FIG. 8 is a top view thereof; and,

FIG. 9 is a bottom view thereof.

The broken lines depicting a barrel key are for the purpose of illustrating the invention and form no part of the claimed design.

1 Claim, 6 Drawing Sheets



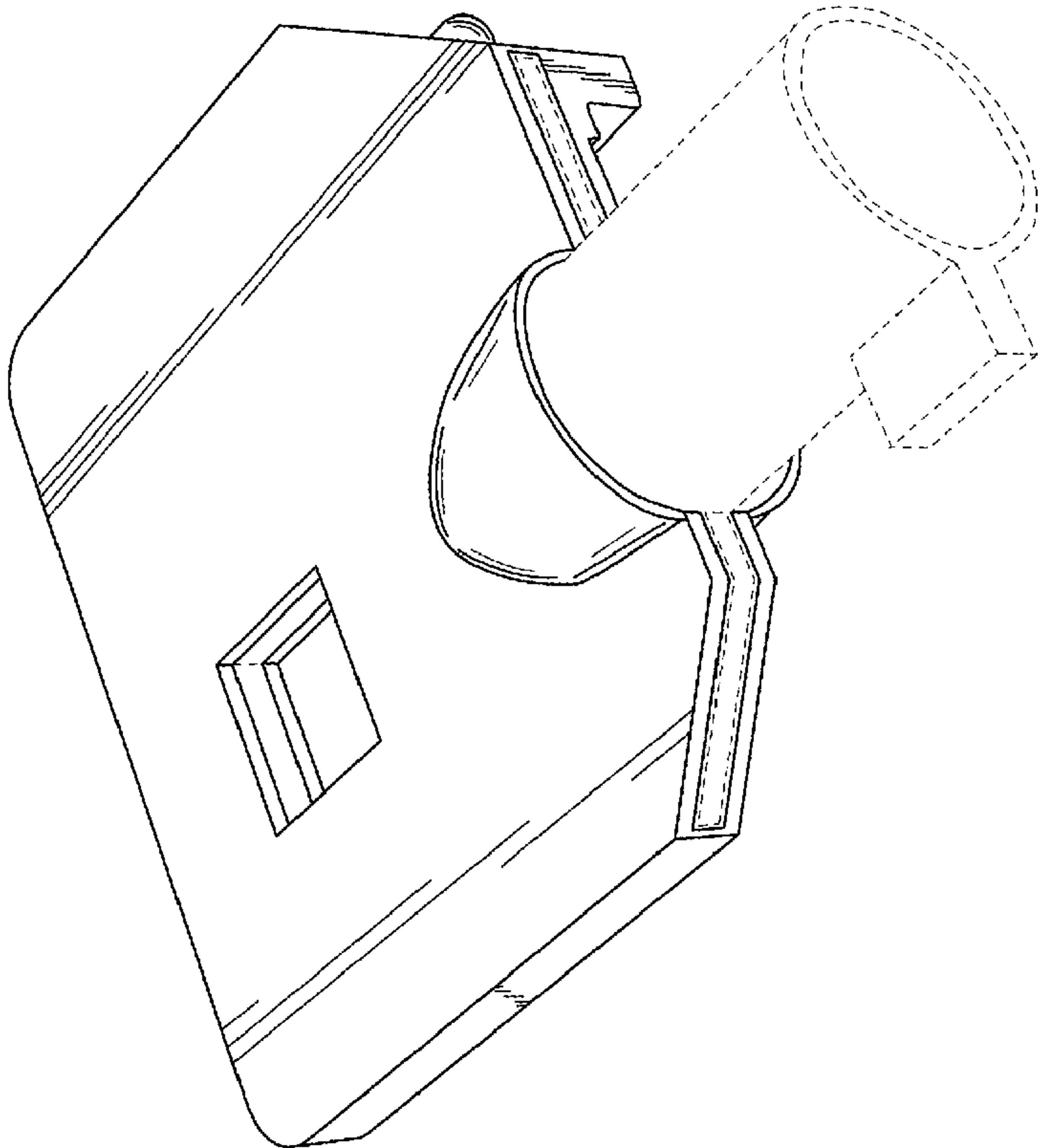


Fig. 1

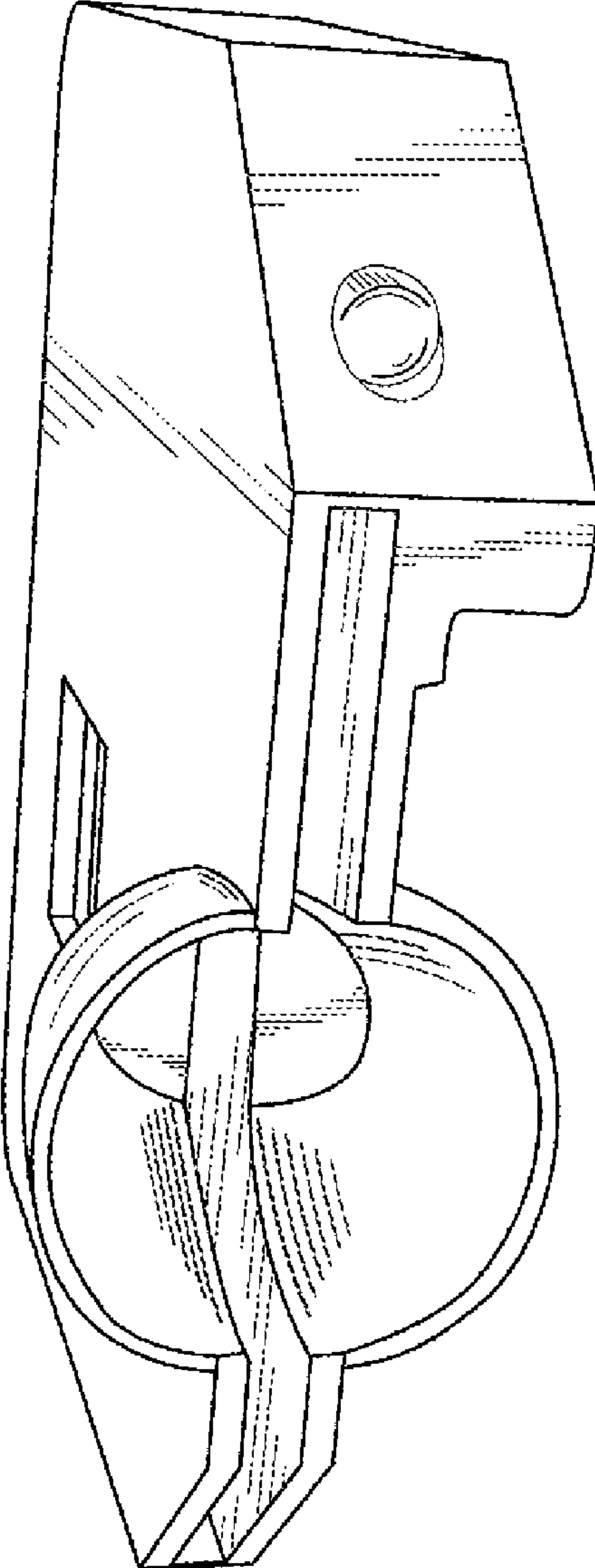


Fig. 2

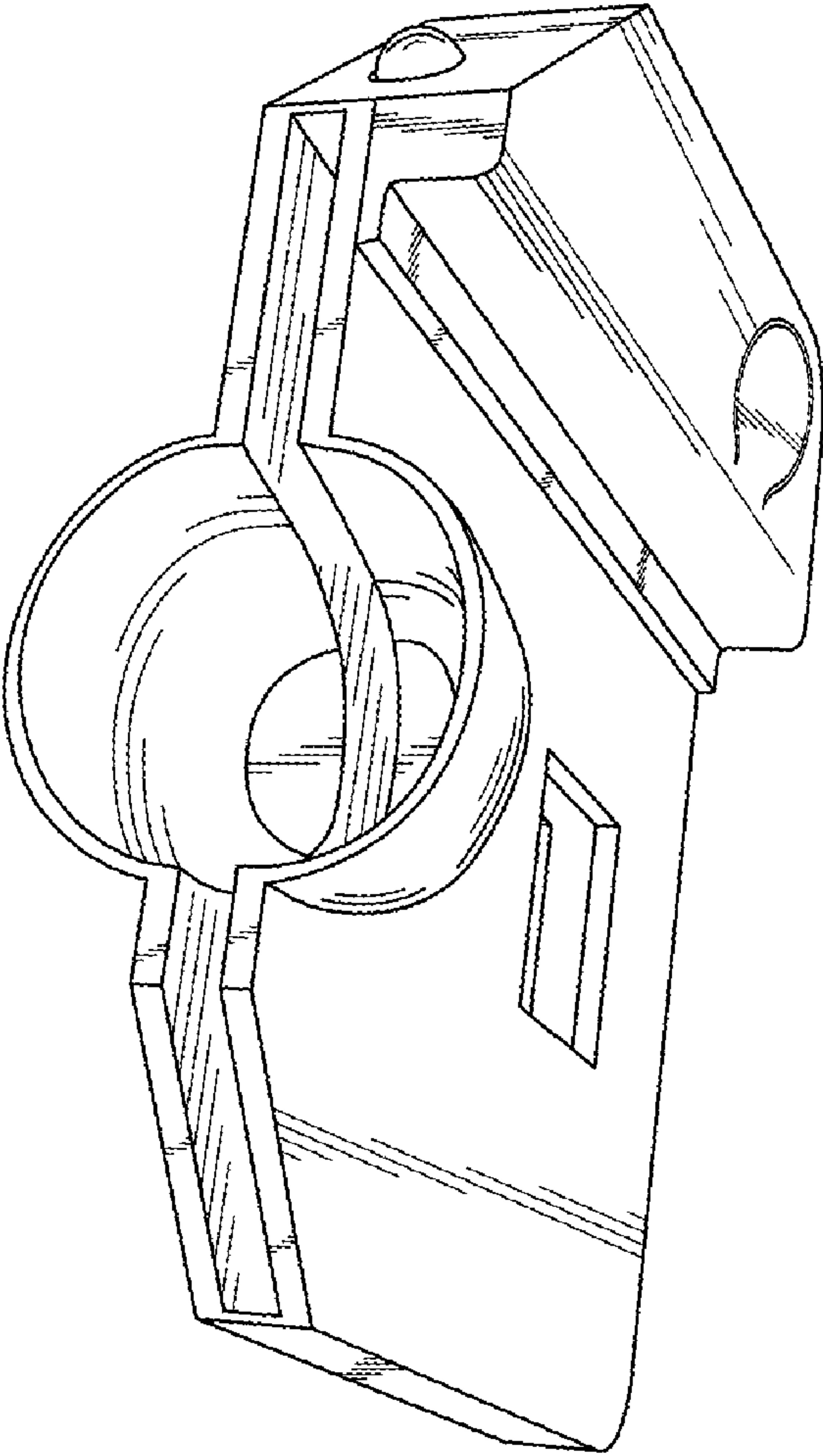


Fig. 3

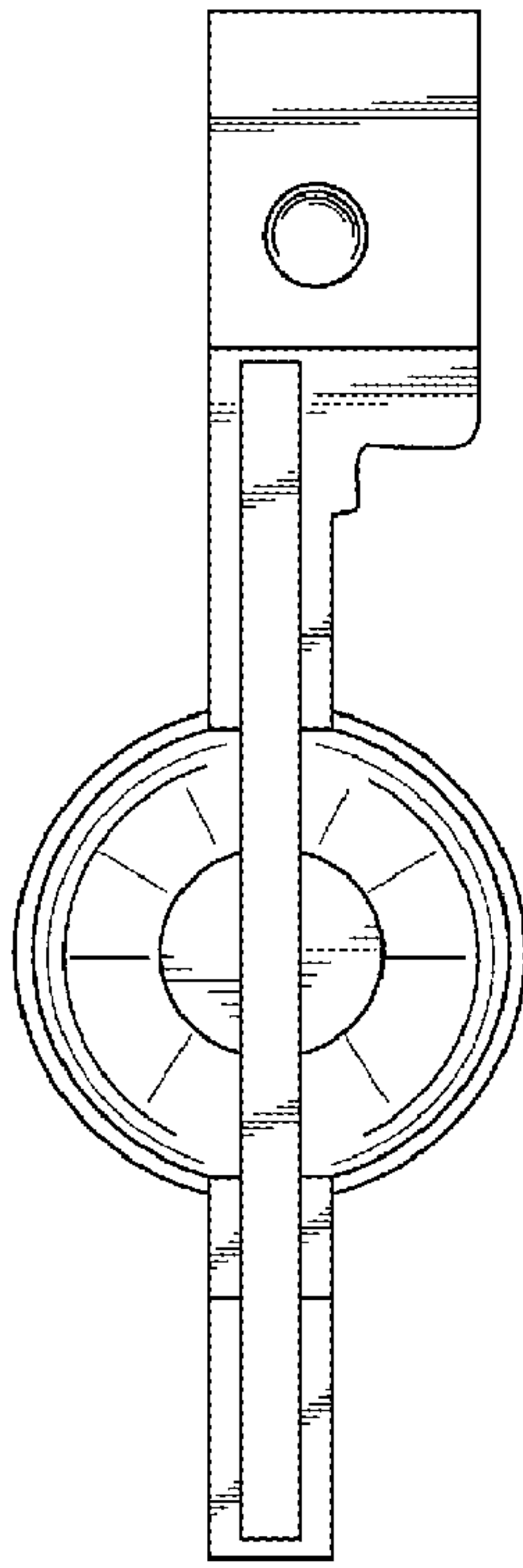


Fig. 4

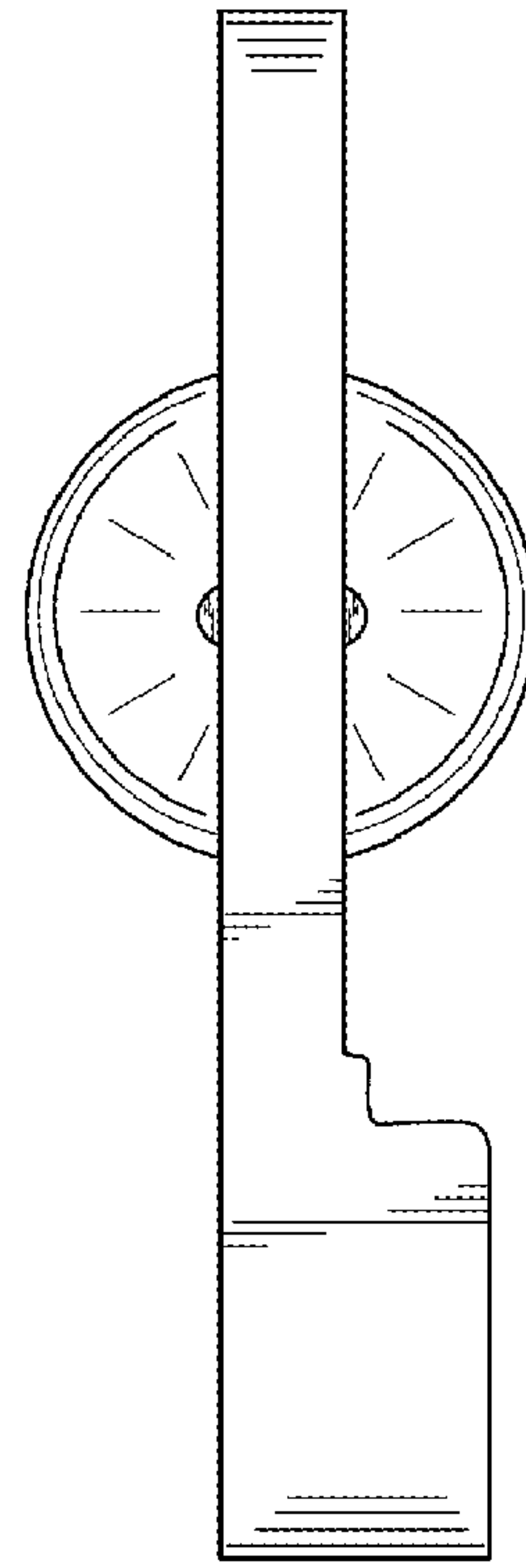


Fig. 5

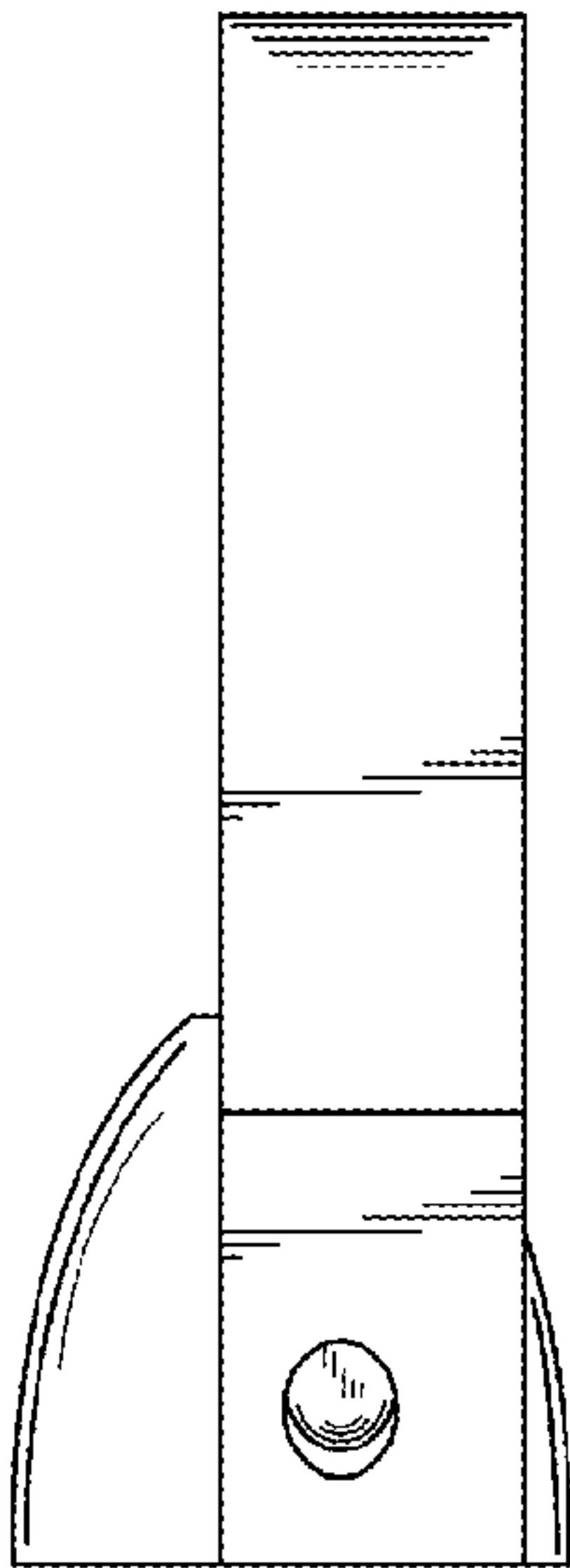


Fig. 6

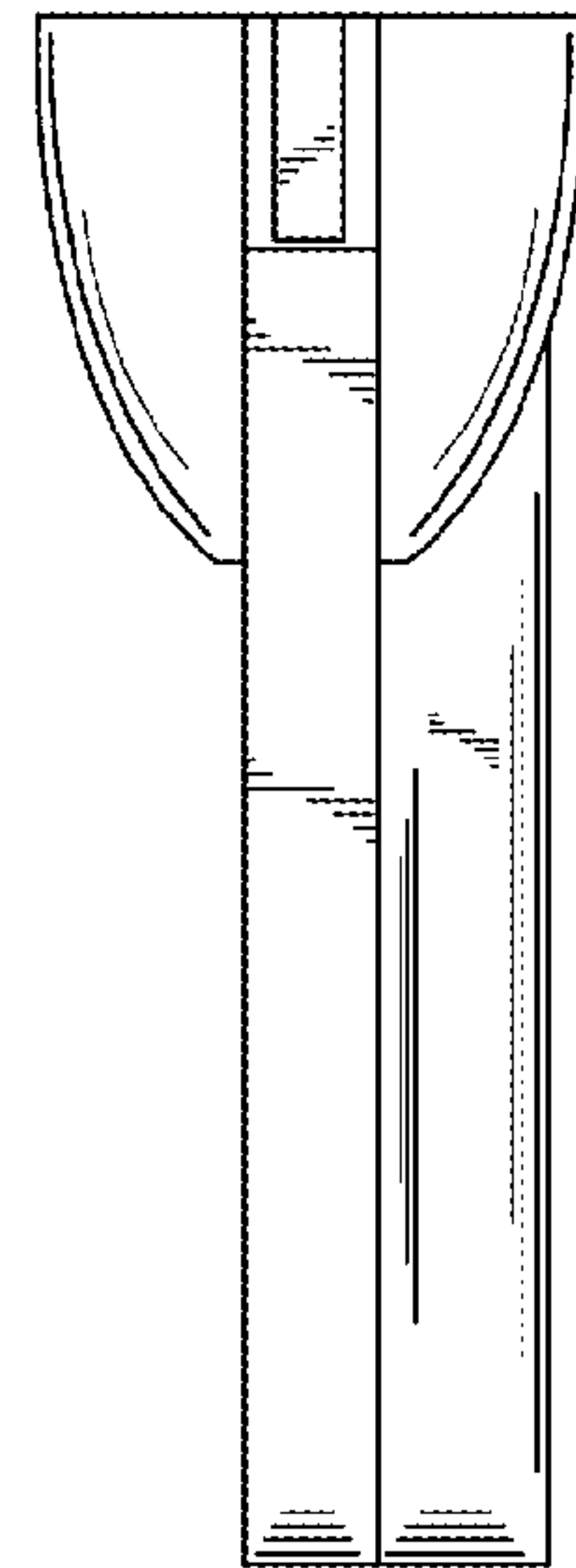


Fig. 7

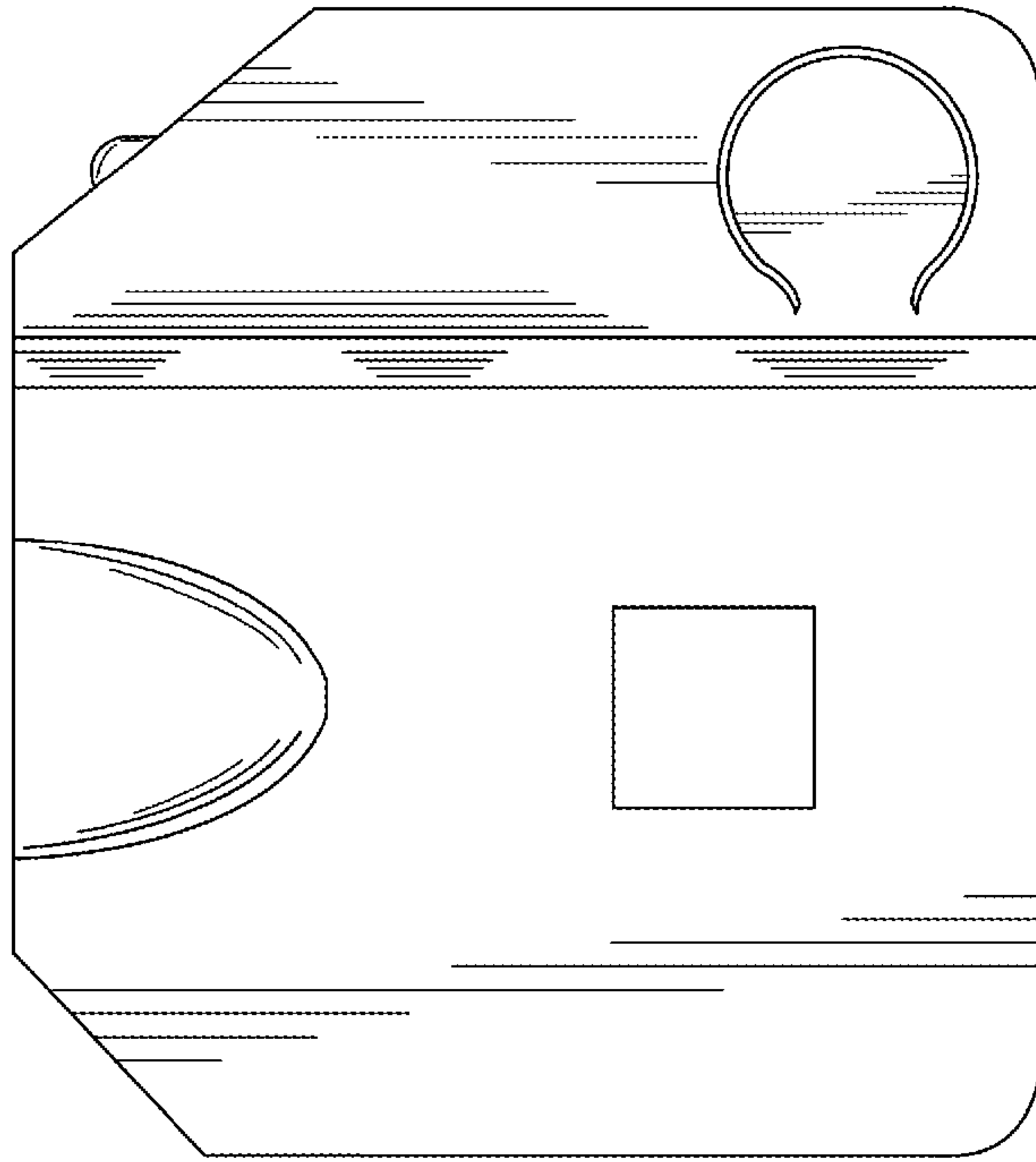


Fig. 9

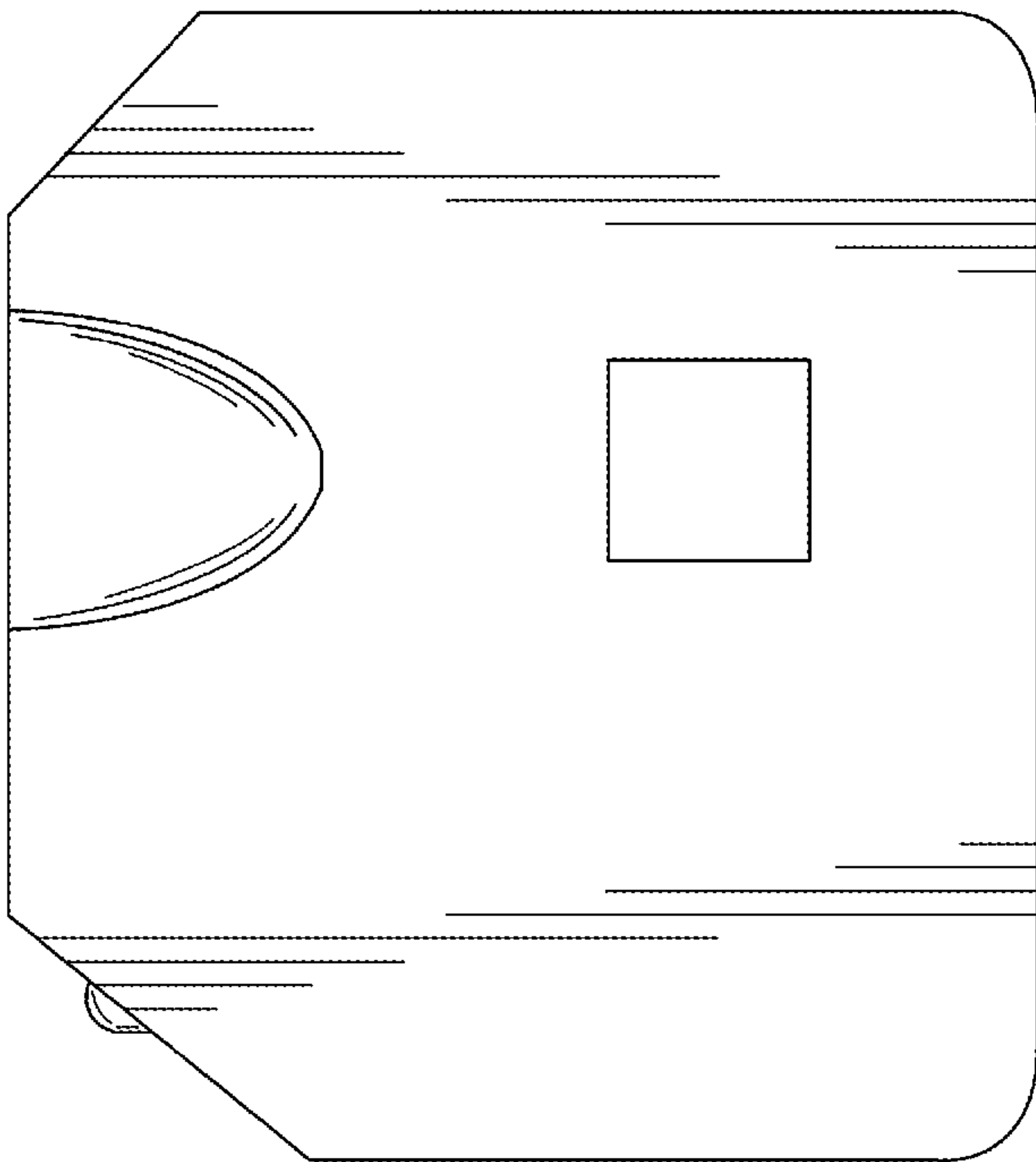


Fig. 8