



US00D623041S

(12) **United States Design Patent**
Ayrest

(10) **Patent No.:** **US D623,041 S**

(45) **Date of Patent:** **** Sep. 7, 2010**

(54) **HINGE**

(76) **Inventor:** **Bob Ayrest**, 6160 Cobblestone Rd.,
Placerville, CA (US) 95667

(**) **Term:** **14 Years**

(21) **Appl. No.:** **29/295,330**

(22) **Filed:** **Sep. 26, 2007**

(51) **LOC (9) Cl.** **08-06**

(52) **U.S. Cl.** **D8/327; D8/323**

(58) **Field of Classification Search** D8/323,
D8/330, 327, 328, 499; D3/324; 16/334,
16/263, 312, 285, 380, 382, 392, 356, 225,
16/229, 355, 326, 391; 105/280; 126/194;
606/130; 399/57; 200/61.7; 439/31; 455/575.3;
74/469

See application file for complete search history.

(56) **References Cited**

U.S. PATENT DOCUMENTS

600,161	A *	3/1898	Moore	16/387
D207,484	S *	4/1967	Amdal	D8/327
3,441,975	A *	5/1969	Shepherd	16/225
4,231,135	A *	11/1980	Fradin	16/225
4,307,486	A *	12/1981	Matsumoto	16/261
D272,040	S *	1/1984	Scanlan	D8/327
5,329,667	A *	7/1994	Erskine	16/269
D376,971	S *	12/1996	Schutz	D8/327
6,061,874	A *	5/2000	Tatara	16/285
7,340,800	B2 *	3/2008	Gulley	16/273

2009/0026022 A1* 1/2009 Andersen et al. 188/32

* cited by examiner

Primary Examiner—Robert M Spear

Assistant Examiner—Cynthia Underwood

(74) *Attorney, Agent, or Firm*—Howard Cohen

(57) **CLAIM**

The ornamental design for a hinge design, as shown and described.

DESCRIPTION

FIG. 1 is a top plan view of one component of the hinge of the present invention;

FIG. 2 is a top plan view of the other component of the hinge of the present invention;

FIG. 3 is a side elevation view of the component of FIG. 2.

FIG. 4 is a cross-sectional view of the hinge of the present invention, taken in the direction of arrows 4—4 in FIG. 3;

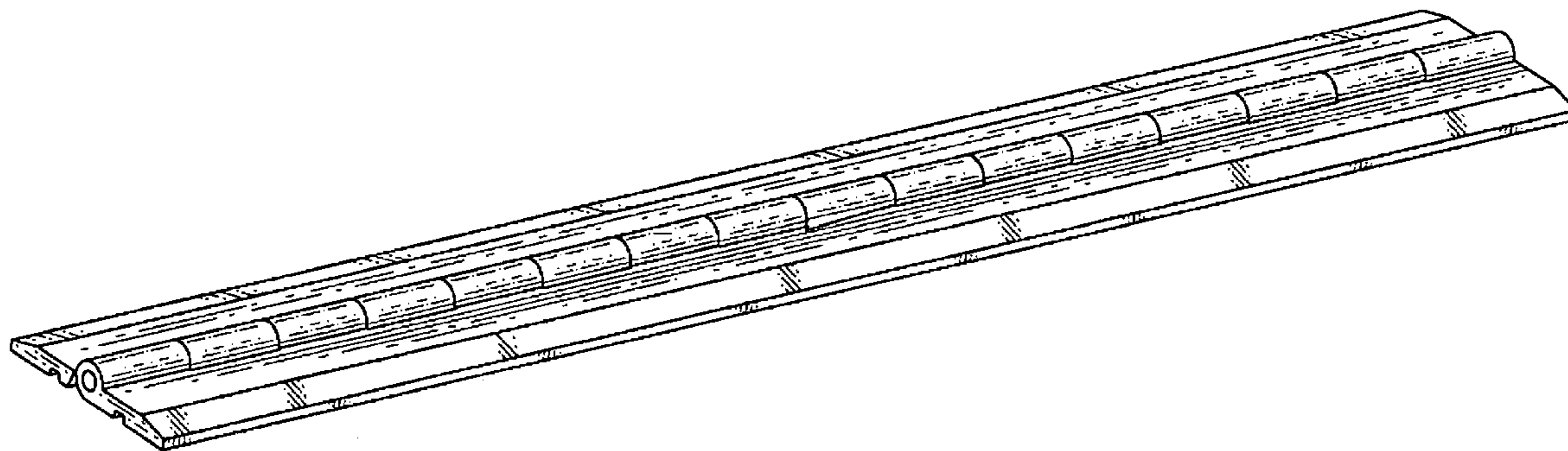
FIG. 5 is a cross-sectional view of the hinge of the present invention taken in the direction of arrows 5—5 in FIG. 3;

FIG. 6 is an enlarged fragmentary detailed view of the hinge of the present invention, taken in the direction of arrows 6—6 in FIG. 1; and,

FIG. 7 illustrates a perspective view of the present invention.

The broken lines represent environment not included in the claim.

1 Claim, 2 Drawing Sheets



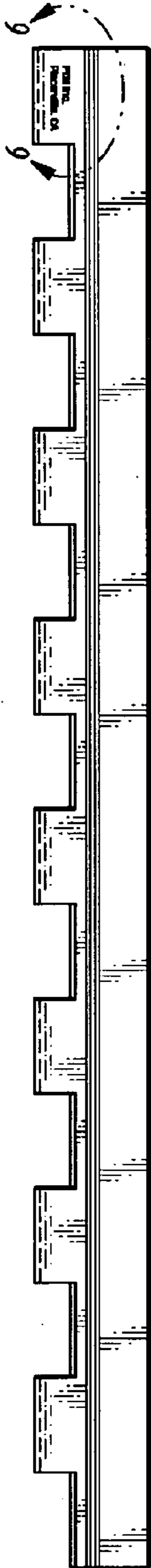


Fig. 1

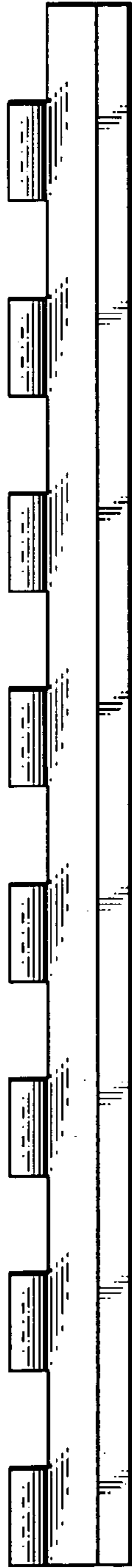


Fig. 2

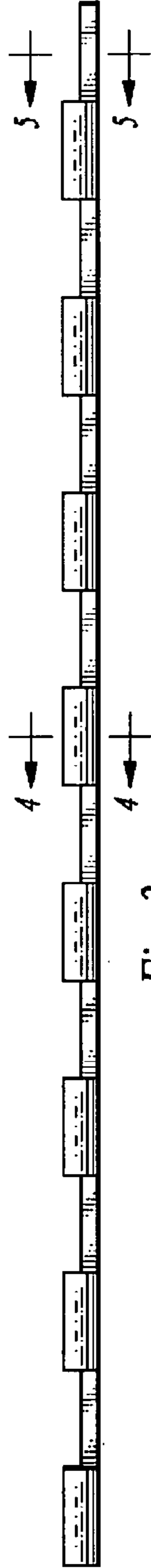


Fig. 3



Fig. 4



Fig. 5



Fig. 6

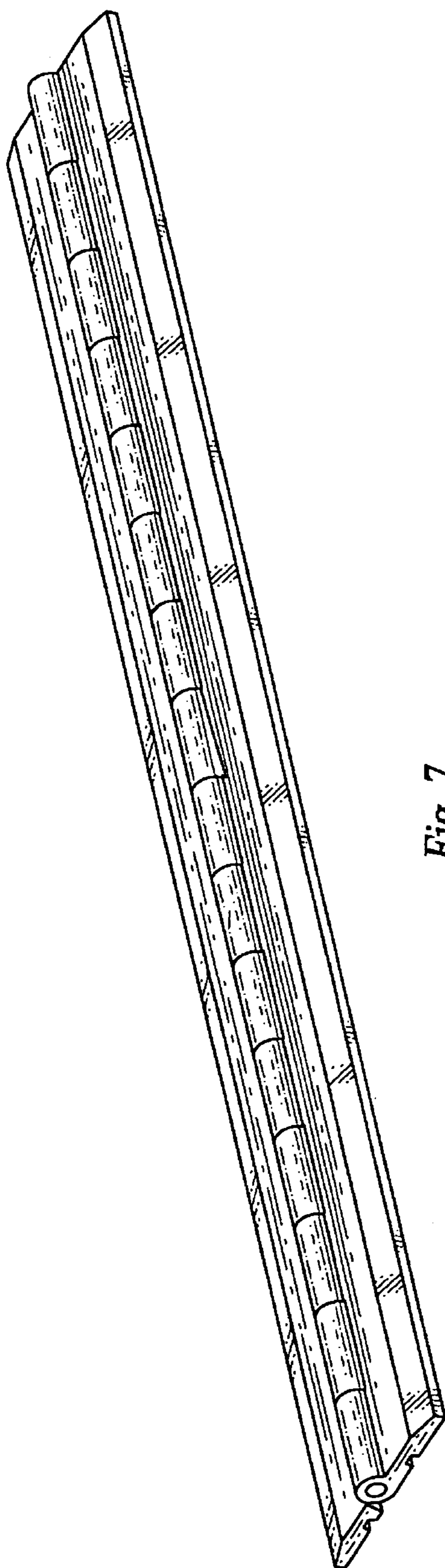


Fig. 7