



US00D623040S

(12) **United States Design Patent**
Freeman et al.

(10) **Patent No.:** **US D623,040 S**

(45) **Date of Patent:** **** Sep. 7, 2010**

(54) **TOOL HANDLE**

(75) Inventors: **Jeffrey Freeman**, Tigard, OR (US);
Juan H. Cagampang, Portland, OR
(US)

(73) Assignee: **Fiskars Brands, Inc.**, Madison, WI (US)

(**) Term: **14 Years**

(21) Appl. No.: **29/335,234**

(22) Filed: **Apr. 10, 2009**

(51) **LOC (9) Cl.** **08-05**

(52) **U.S. Cl.** **D8/107; D8/99**

(58) **Field of Classification Search** D8/52,
D8/54-56, 58, 95-99, 17; D22/118; D4/138;
D32/40, 46, 49, 51; D15/18, 70, 142; 81/342,
81/367, 370, 418, 420, 424.5, 427.5, 380,
81/390, 324, 486, 489, 415-419, DIG. 9,
81/300, 302; 30/151-162, 329, 330, 511-517,
30/519; 294/54.5, 49, 51, 53.5, 55; 16/11 R,
16/111 R, 110.1, 430-431, 421-422, 426
See application file for complete search history.

(56) **References Cited**

U.S. PATENT DOCUMENTS

D357,166 S	4/1995	Concari	
D366,408 S	1/1996	Sessions et al.	
D367,599 S *	3/1996	Sakai	D8/99
5,511,310 A	4/1996	Sessions et al.	
D373,521 S *	9/1996	Applegate et al.	D8/99
5,822,866 A *	10/1998	Pardue	30/161
D407,002 S	3/1999	Morton et al.	
D413,503 S *	9/1999	Dugdale	D8/99
D414,671 S	10/1999	Halligan	
D419,851 S *	2/2000	Cheng	D8/107
D419,852 S *	2/2000	Cheng	D8/107
D427,043 S *	6/2000	Cheng	D8/99
D429,986 S *	8/2000	Cheng	D8/99
6,427,333 B1 *	8/2002	Veltz et al.	30/158
D492,568 S *	7/2004	Allen	D8/99
D494,437 S *	8/2004	Scarla	D8/99

D494,440 S	8/2004	Carter, III	
D509,724 S	9/2005	Cook	
D513,958 S *	1/2006	Ray	D8/99
D553,468 S	10/2007	Freeman	
D560,994 S *	2/2008	Green	D8/99
D581,241 S	11/2008	Freeman	
D582,243 S	12/2008	Freeman et al.	
D582,747 S	12/2008	Freeman et al.	
D600,527 S	9/2009	Nyssen et al.	
2006/0123632 A1	6/2006	Linn et al.	

OTHER PUBLICATIONS

Gerber Chameleon folding knife, sold to the public prior to Apr. 10, 2008, 1 page.
U.S. Appl. No. 29/335,236, filed Apr. 10, 2009, Freeman et al.

* cited by examiner

Primary Examiner—Cathron C Brooks
Assistant Examiner—Barbara Fox
(74) *Attorney, Agent, or Firm*—Foley & Lardner LLP

(57) **CLAIM**

We claim the ornamental design for a tool handle, as shown and described.

DESCRIPTION

FIG. 1 is a top, rear perspective view of a tool handle showing the claimed design in an open position of use;

FIG. 2 is a right side view thereof;

FIG. 3 is a left side view thereof;

FIG. 4 is a top view thereof;

FIG. 5 is a bottom view thereof;

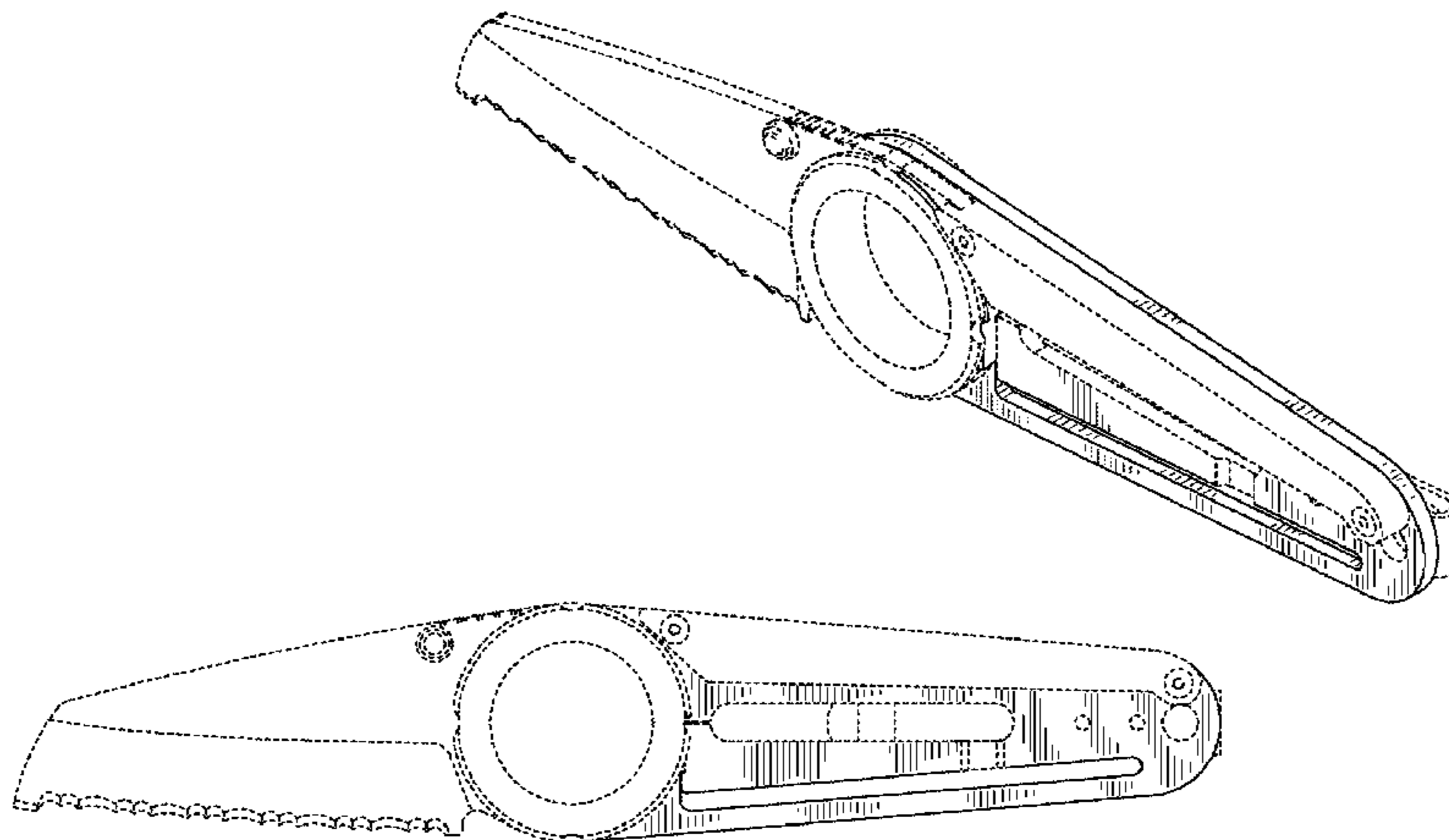
FIG. 6 is a rear view thereof;

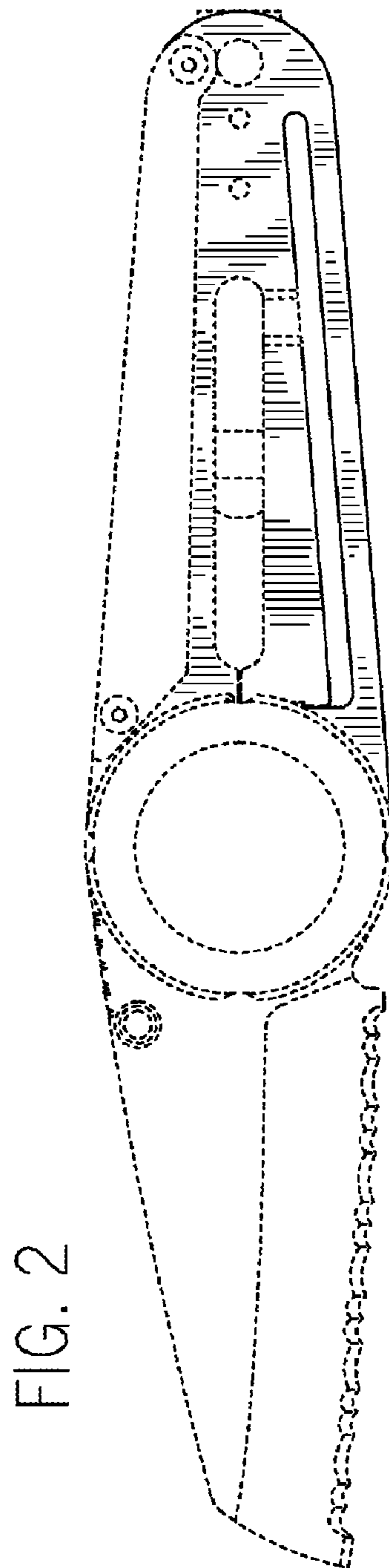
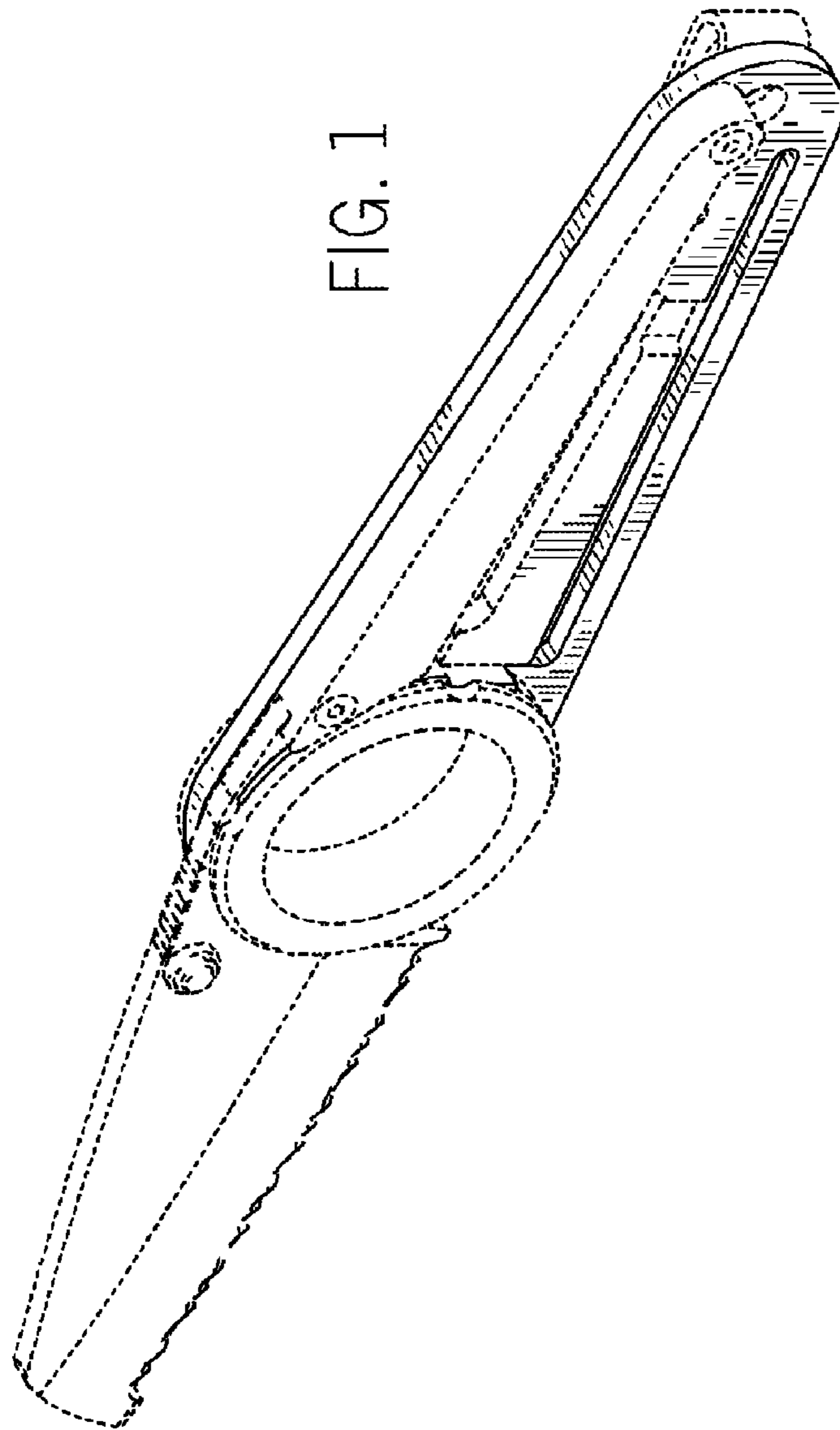
FIG. 7 is a front view thereof; and,

FIG. 8 is a right side view of the claimed design in a closed position of use.

The broken lines shown in the drawings represent environmental structure and form no part of the claimed design.

1 Claim, 4 Drawing Sheets





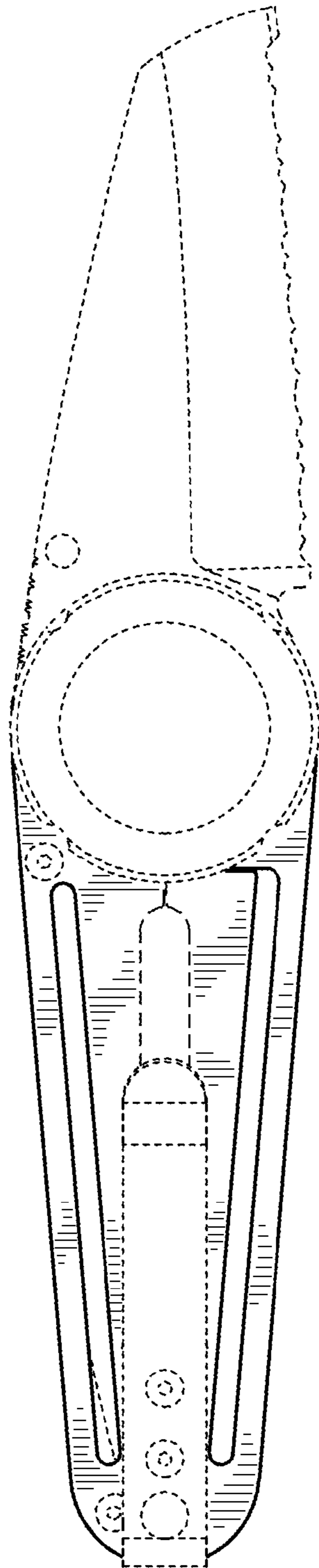


FIG. 3

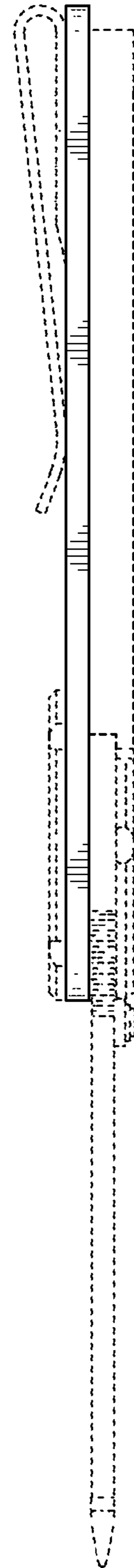


FIG. 4

FIG. 5

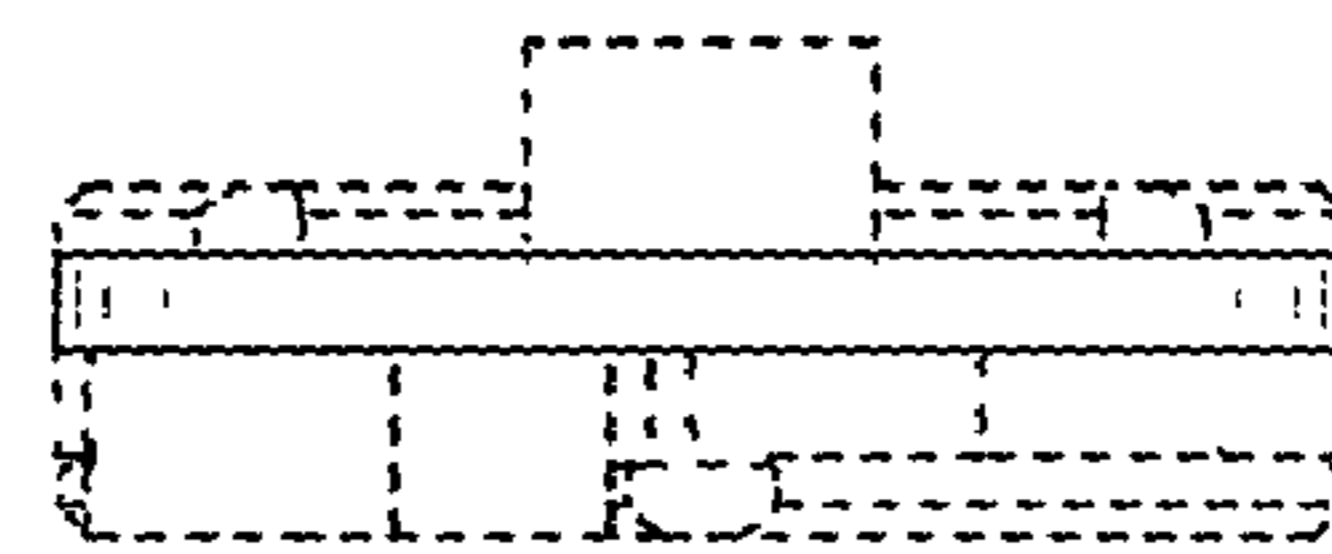
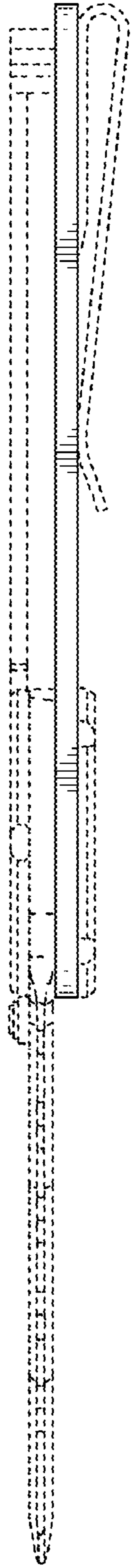


FIG. 6

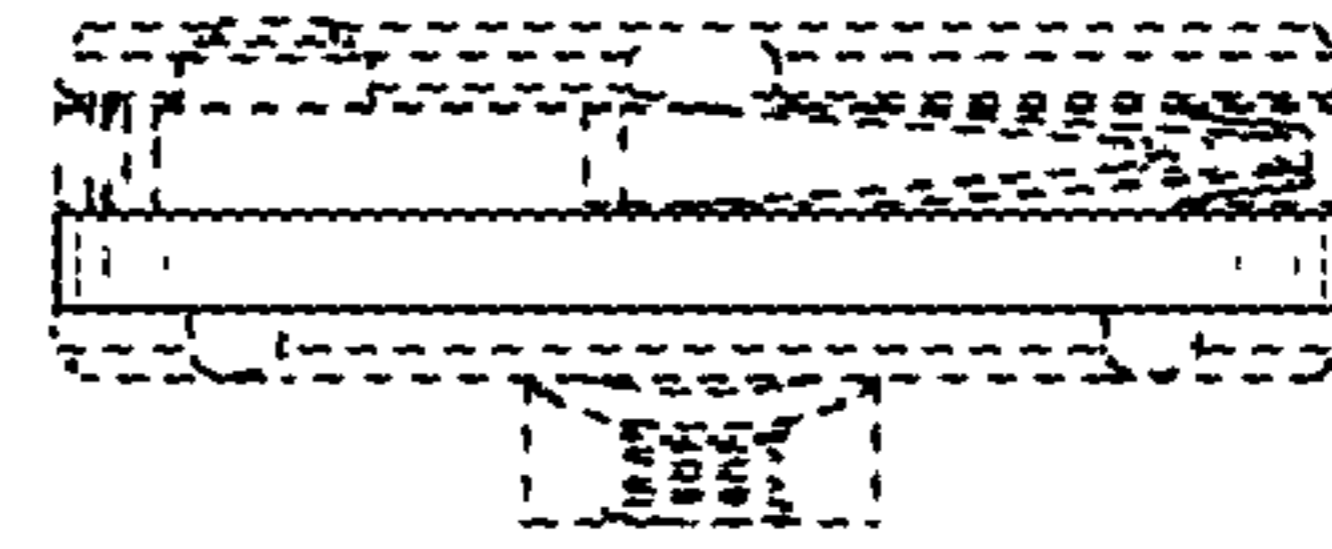


FIG. 7

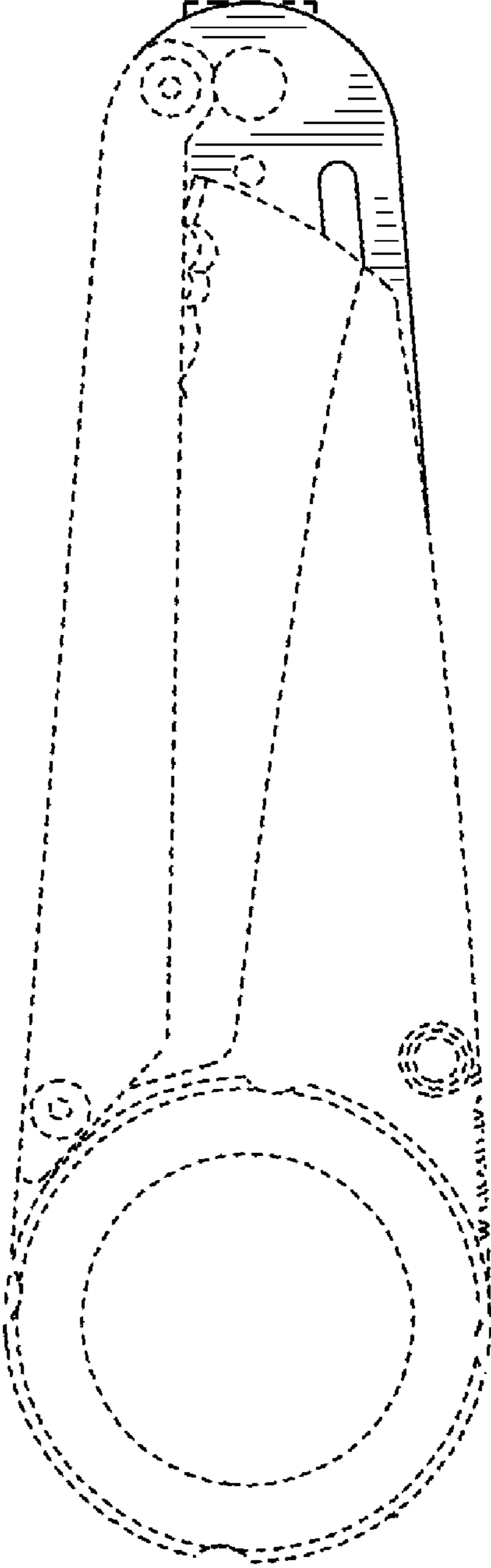


FIG. 8