



US00D623039S

(12) **United States Design Patent**  
**Seeds et al.**

(10) **Patent No.:** **US D623,039 S**  
(45) **Date of Patent:** **\*\* Sep. 7, 2010**

(54) **HANDLE FOR A MULTI-FUNCTION TOOL**

(75) Inventors: **Darrin Seeds**, Vancouver, WA (US);  
**John Nason**, Keizer, OR (US); **Hal Hardinge**, Tigard, OR (US)

(73) Assignee: **Fiskars Brands, Inc.**, Madison, WI (US)

(\*\*) Term: **14 Years**

(21) Appl. No.: **29/315,944**

(22) Filed: **Aug. 7, 2009**

(51) **LOC (9) Cl.** ..... **08-03**

(52) **U.S. Cl.** ..... **D8/107; D8/105**

(58) **Field of Classification Search** ..... D8/99,  
D8/58, 55, 21, 356, 367, 52, 107, 105, 331,  
D8/4; D3/210; 81/440, 437, 124.4, 177.4,  
81/9.4; 7/138, 129, 128, 127, 125, 118; 30/155,  
30/161, 169, 236; 16/430, 429

See application file for complete search history.

(56) **References Cited**

**U.S. PATENT DOCUMENTS**

2,478,696	A	8/1949	Isele	
4,238,862	A	12/1980	Leatherman	
4,744,272	A	5/1988	Leatherman	
D309,409	S *	7/1990	Kiernan	D8/4
4,942,637	A *	7/1990	Yeang-Yai	7/135
5,142,721	A	9/1992	Sessions et al.	
5,212,844	A	5/1993	Sessions et al.	
D367,807	S	3/1996	Hung	
5,564,318	A	10/1996	Pail	

(Continued)

**FOREIGN PATENT DOCUMENTS**

EP 0 653 975 B1 5/1995

**OTHER PUBLICATIONS**

Gerber MP700, printed from website www.swords24, available at least as early as Aug. 6, 2009, 1 page.

(Continued)

*Primary Examiner*—Austin Murphy

(74) *Attorney, Agent, or Firm*—Foley & Lardner LLP

(57) **CLAIM**

We claim the ornamental design for a handle for a multi-function tool, as shown and described.

**DESCRIPTION**

FIG. 1 is a perspective view of the claimed design in a closed configuration.

FIG. 2 is a right side view thereof.

FIG. 3 is a left side view thereof.

FIG. 4 is a front view thereof.

FIG. 5 is a rear view thereof.

FIG. 6 is a top view thereof.

FIG. 7 is a bottom view thereof.

FIG. 8 is a perspective view of the claimed design in an open configuration.

FIG. 9 is a right side view thereof.

FIG. 10 is a left side view thereof.

FIG. 11 is a front view thereof.

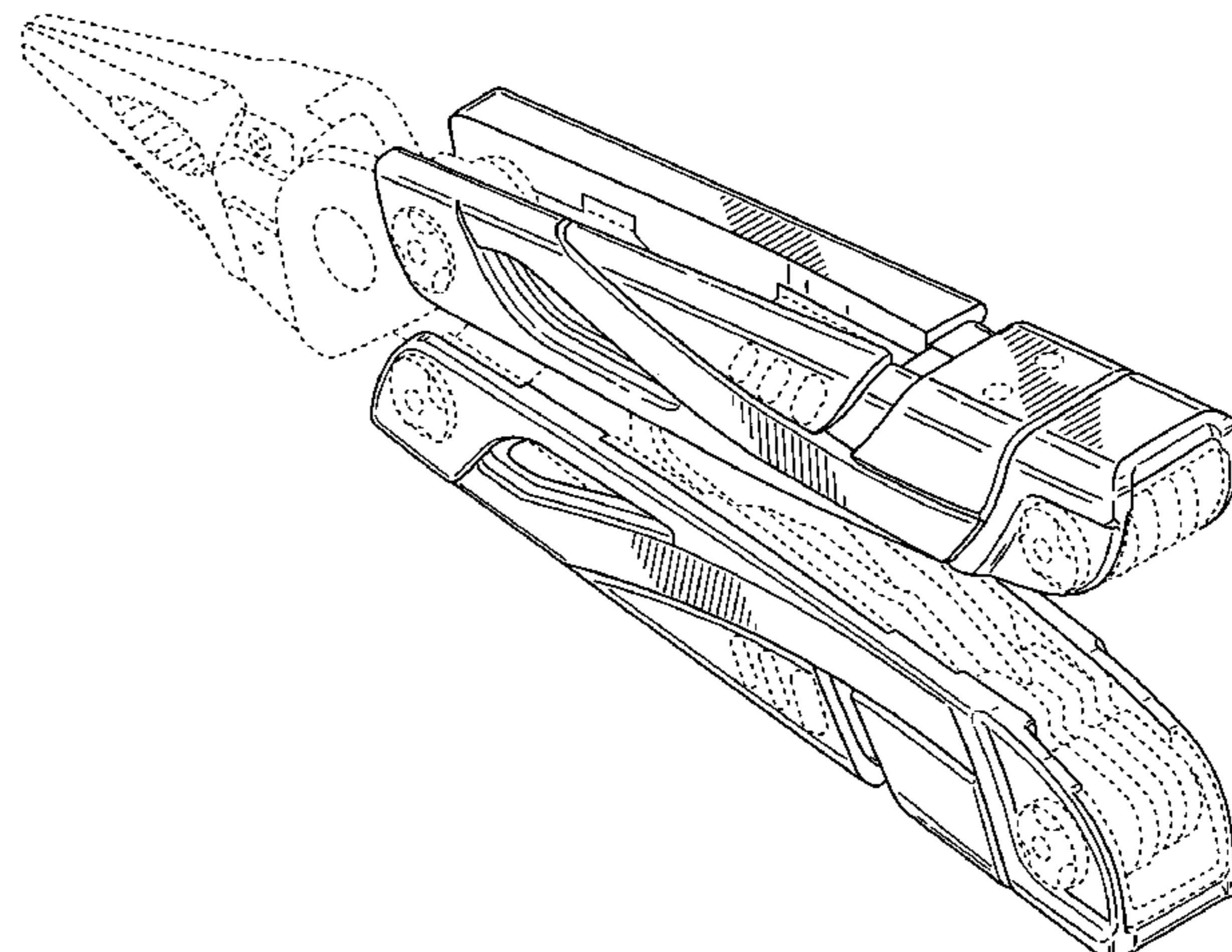
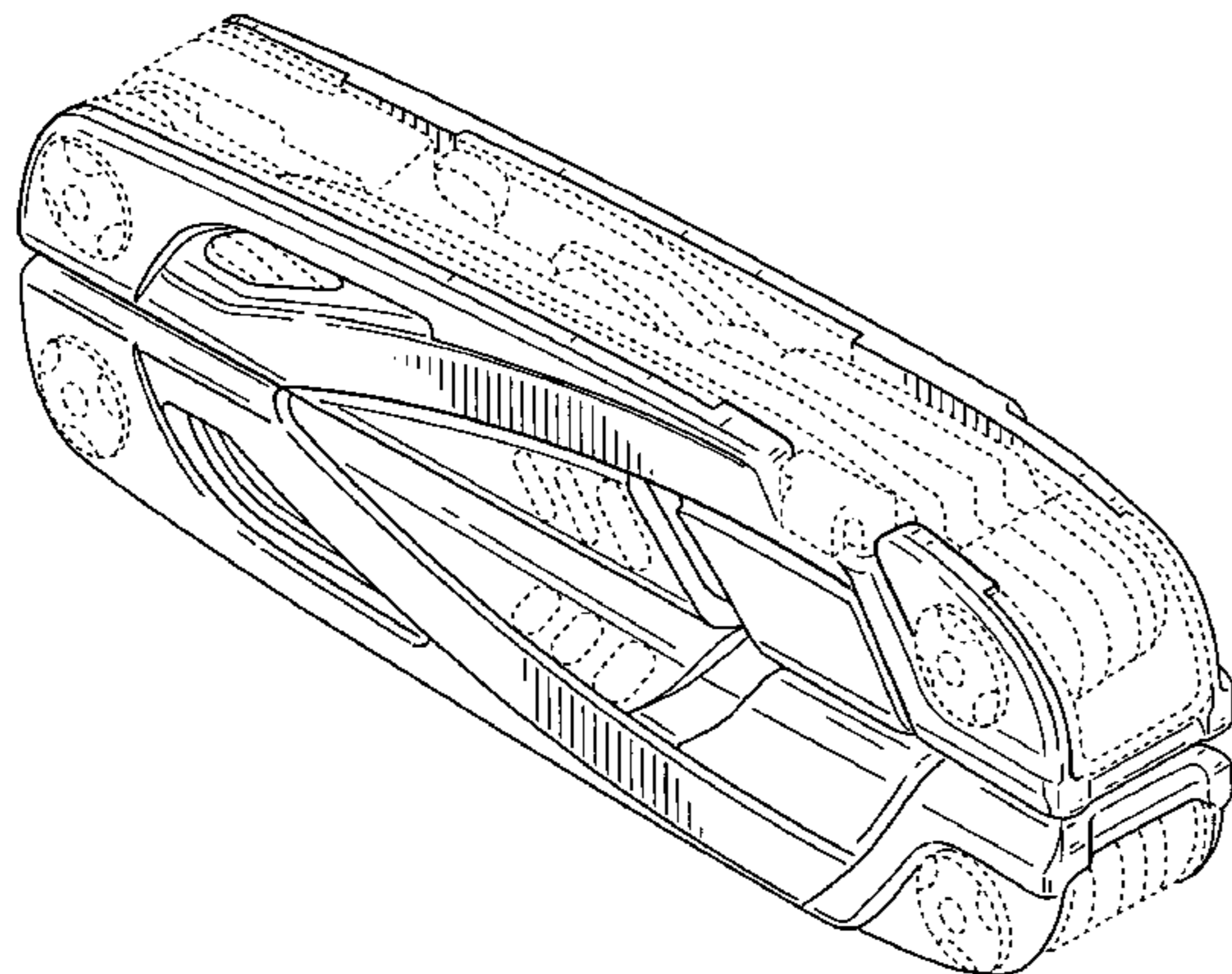
FIG. 12 is a rear view thereof.

FIG. 13 is a top view thereof; and,

FIG. 14 is a bottom view thereof.

The ornamental design which is claimed is shown in solid lines in the drawings. The broken lines in the drawings are for illustrative purposes only and form no part of the claimed design.

**1 Claim, 6 Drawing Sheets**



# US D623,039 S

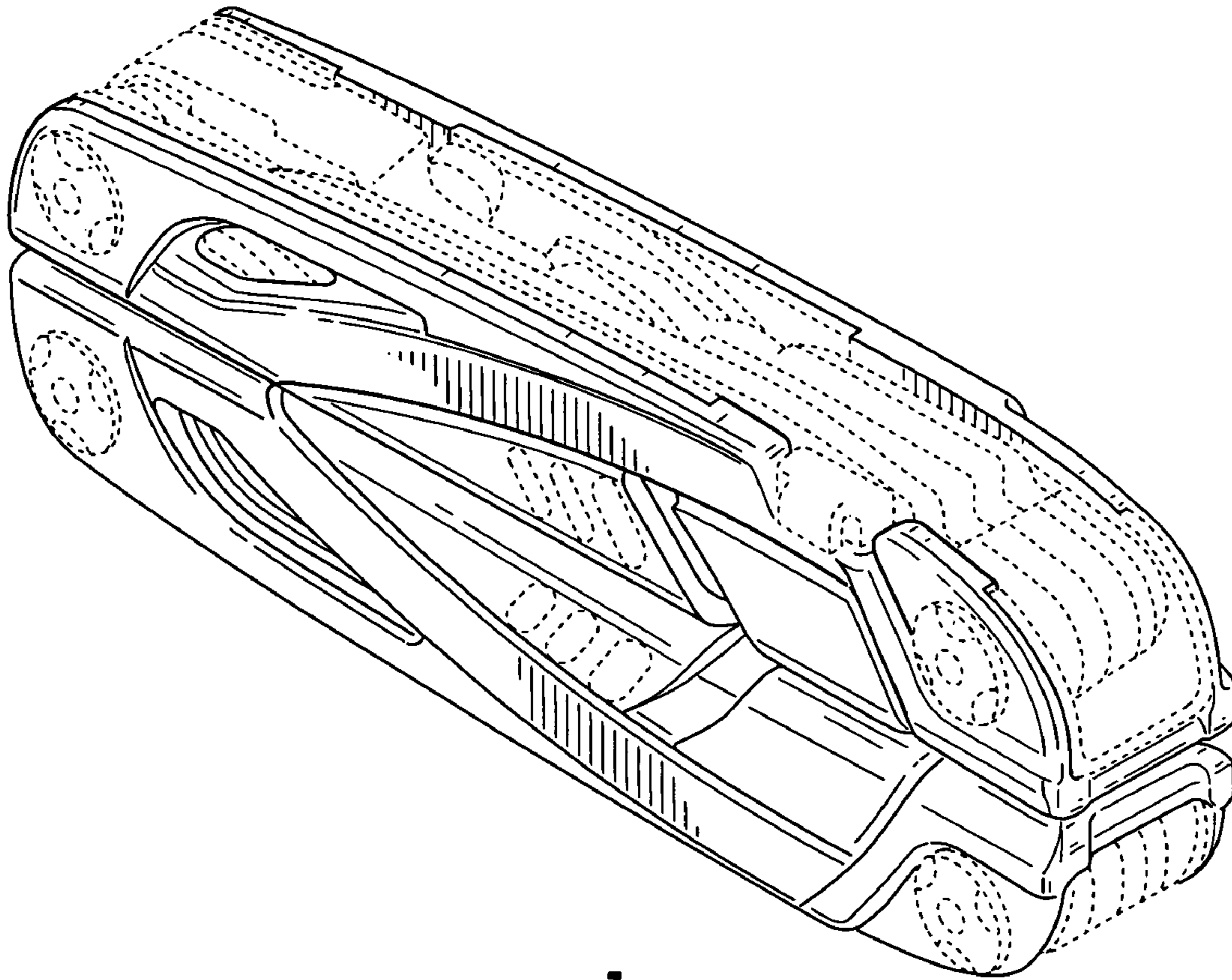
## U.S. PATENT DOCUMENTS

5,664,274 A	9/1997	Collins		7,000,323 B1	2/2006	Hatcher et al.	
5,697,114 A	12/1997	McIntosh et al.		7,028,591 B2	4/2006	Dallas et al.	
D389,030 S	1/1998	Wensley		7,039,974 B2	5/2006	Berg	
5,781,950 A	7/1998	Swinden et al.		7,063,435 B2	6/2006	Dallas et al.	
5,916,277 A	6/1999	Dallas		D530,180 S *	10/2006	Klecker et al. ....	D8/99
5,963,999 A	10/1999	Gardiner et al.		7,150,210 B2	12/2006	Berg et al.	
D416,186 S *	11/1999	Balolia .....	D8/107	D535,171 S	1/2007	Ping	
6,003,180 A	12/1999	Frazer		D541,618 S *	5/2007	Klecker .....	D8/107
6,006,385 A	12/1999	Kershaw et al.		D551,050 S *	9/2007	Ping .....	D8/99
6,009,582 A	1/2000	Harrison et al.		D553,467 S	10/2007	Ryan	
6,023,805 A	2/2000	Lin		D557,100 S	12/2007	Stokes et al.	
6,038,723 A	3/2000	Nabors et al.		7,347,128 B2	3/2008	Rivera et al.	
D423,893 S *	5/2000	Mackin et al. ....	D8/52	7,363,669 B2	4/2008	Berg et al.	
6,088,860 A	7/2000	Poehlmann et al.		D568,710 S	5/2008	Klecker et al.	
6,108,845 A	8/2000	Hung et al.		D569,212 S *	5/2008	Hawk et al. ....	D8/99
D433,608 S	11/2000	Poehlmann et al.		D571,181 S	6/2008	Klecker et al.	
6,145,144 A	11/2000	Poehlmann et al.		D573,437 S	7/2008	Nenadic	
6,185,771 B1	2/2001	Trusty, Sr.		D573,865 S	7/2008	Klecker et al.	
6,219,870 B1	4/2001	Swinden et al.		7,406,896 B2 *	8/2008	Rivera .....	81/177.4
6,223,374 B1	5/2001	Lin		D592,931 S	5/2009	Nenadic	
D445,326 S	7/2001	Alfaro		D595,103 S *	6/2009	Goodrich .....	D8/99
6,276,063 B1	8/2001	Chen		D596,911 S *	7/2009	Carpenter et al. ....	D8/55
6,282,996 B1	9/2001	Berg et al.		D600,528 S *	9/2009	Nyssen et al. ....	D8/105
D448,636 S *	10/2001	Yeh .....	D8/55	7,596,870 B2 *	10/2009	Klecker et al. ....	30/236
6,305,041 B1	10/2001	Montague et al.		7,607,231 B2 *	10/2009	Klecker et al. ....	30/236
6,341,423 B1	1/2002	Tagart et al.		7,665,389 B2 *	2/2010	Frazer .....	81/9.4
D454,044 S	3/2002	Alfaro		7,712,399 B2 *	5/2010	Nenadic .....	81/427.5
6,405,395 B1	6/2002	Poehlmann et al.		7,730,811 B2 *	6/2010	Robinson et al. ....	81/423
D467,783 S	12/2002	Onion		2001/0014986 A1 *	8/2001	Harrison .....	7/128
6,487,941 B1	12/2002	Ping		2002/0023302 A1 *	2/2002	Montague et al. ....	7/128
D469,328 S *	1/2003	Ping .....	D8/107	2004/0000058 A1 *	1/2004	Shyr .....	30/262
6,523,203 B2	2/2003	Harrison		2004/0003472 A1	1/2004	Dallas et al.	
6,594,906 B1	7/2003	Sakai et al.		2004/0019974 A1 *	2/2004	Montague et al. ....	7/128
6,622,328 B2	9/2003	Rivera		2004/0031105 A1 *	2/2004	Berg .....	7/128
6,625,832 B2	9/2003	Montague et al.		2010/0122420 A1 *	5/2010	Nason et al. ....	7/128
D480,940 S	10/2003	Dallas					
D480,941 S	10/2003	Dallas					
D481,289 S	10/2003	Dallas					
6,643,877 B1	11/2003	Amtenbrink et al.					
6,691,357 B2	2/2004	Rivera					
D488,700 S	4/2004	Montague					
6,721,984 B1	4/2004	Harrison					
D493,685 S	8/2004	Dallas					
D505,057 S	5/2005	Ralph					
D515,903 S	2/2006	Kelleghan					

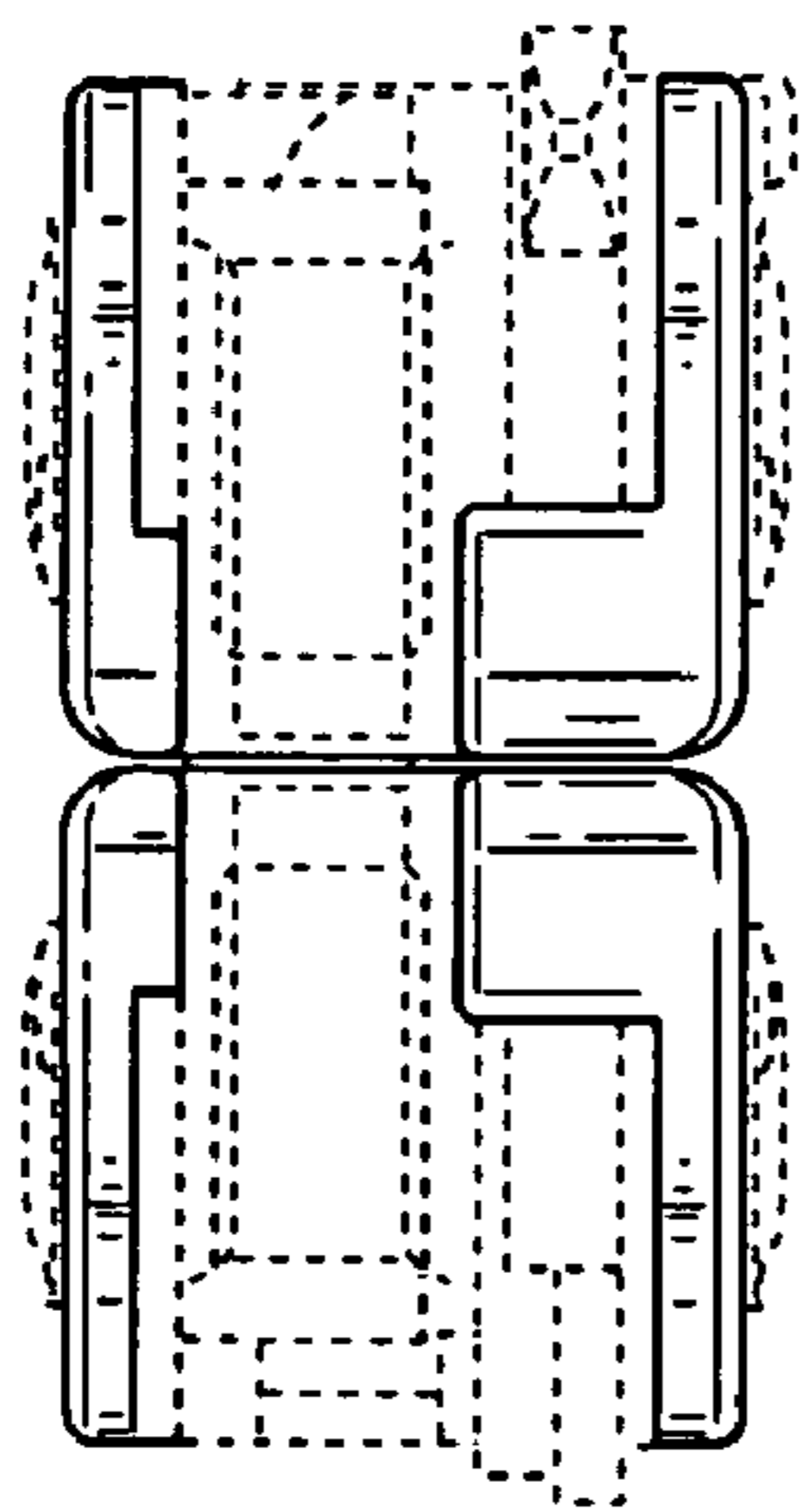
## OTHER PUBLICATIONS

Gerber MP800, printed from website [www.gerbergear.com](http://www.gerbergear.com), available at least as early as Aug. 6, 2009, 1 page.  
 Leatherman Wave®, printed from website [www.leatherman.com](http://www.leatherman.com), available at least as early as Aug. 6, 2009, 1 page.  
 U.S. Appl. No. 29/335,234, filed Apr. 10, 2009, Freeman et al.  
 U.S. Appl. No. 29/334,817, filed Apr. 2, 2009, Nyssen et al.  
 U.S. Appl. No. 12/274,850, filed Nov. 20, 2008, Nason et al.  
 U.S. Appl. No. 29/334,819, filed Apr. 2, 2009, Nyssen et al.

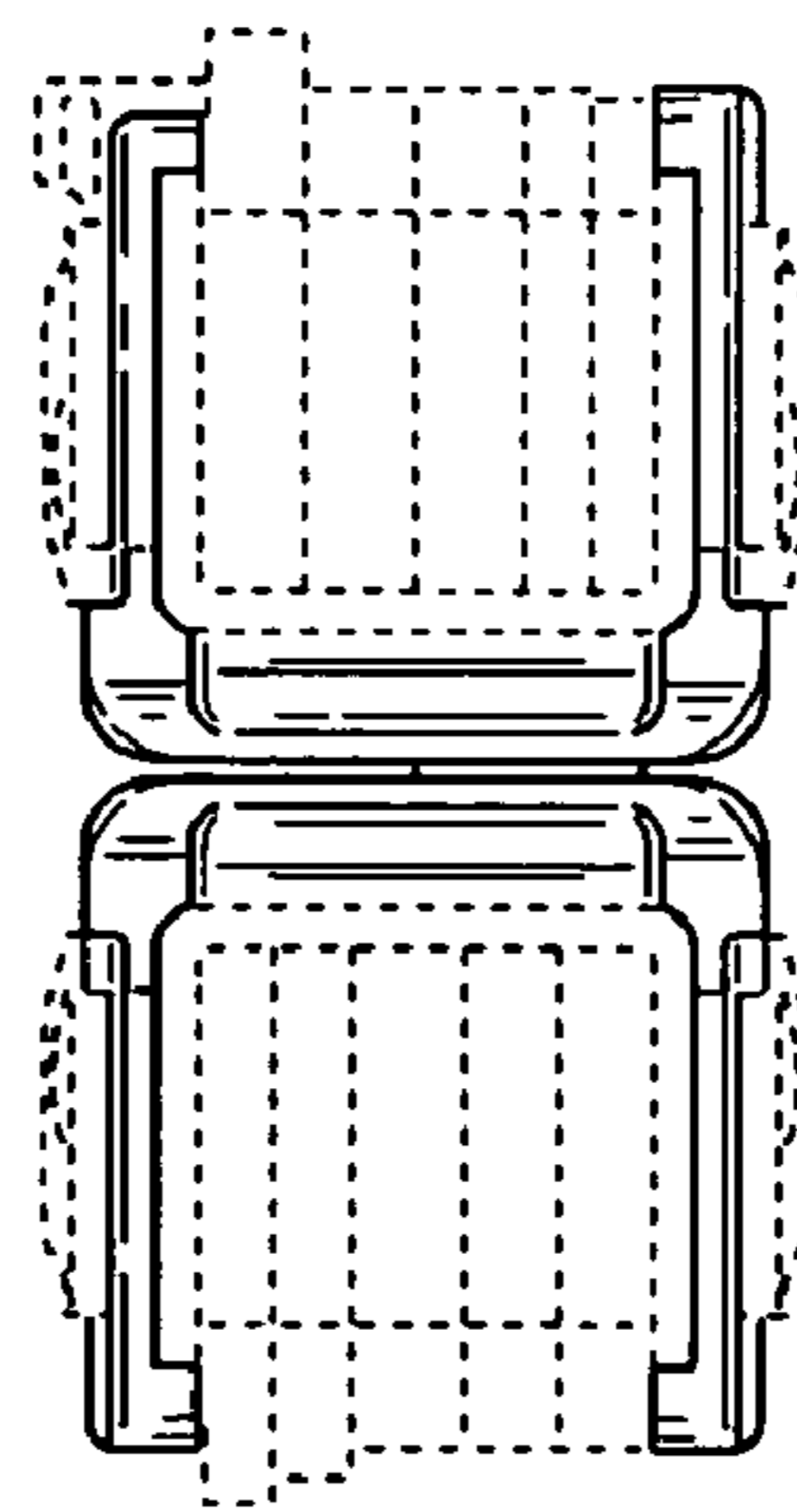
\* cited by examiner



**FIG. 1**



**FIG. 4**



**FIG. 5**

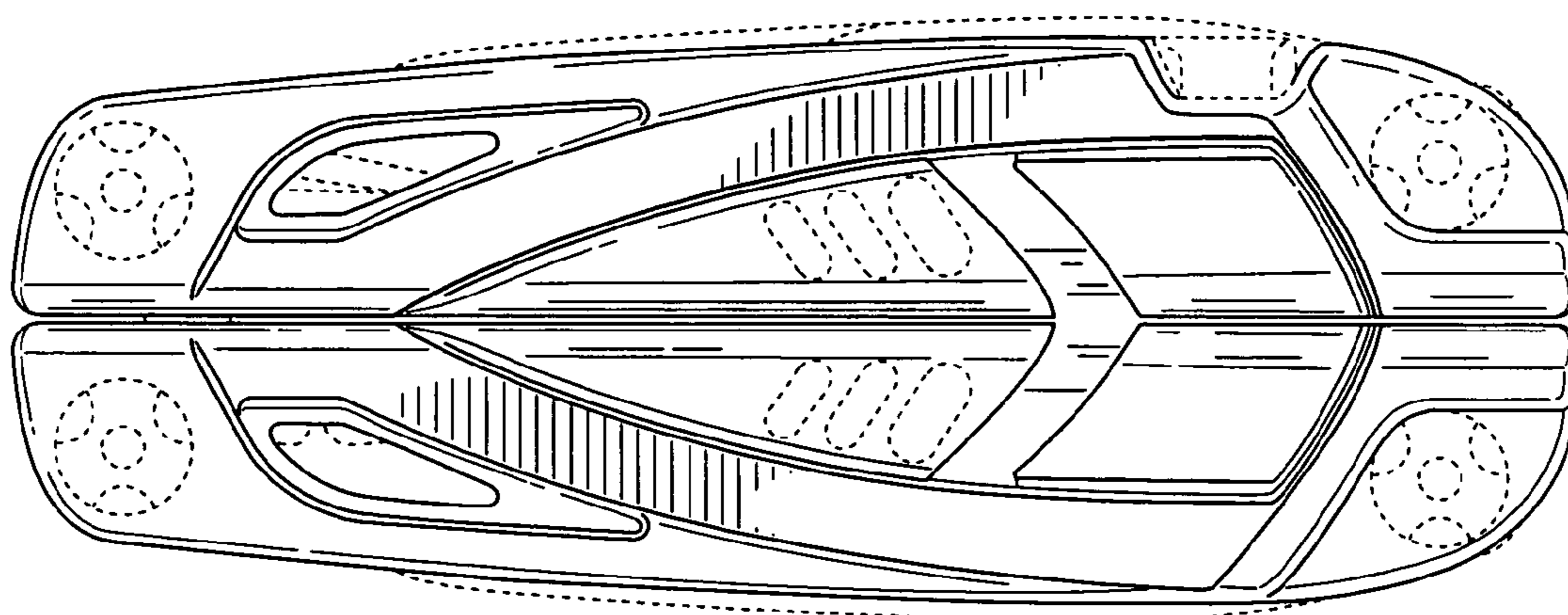


FIG. 2

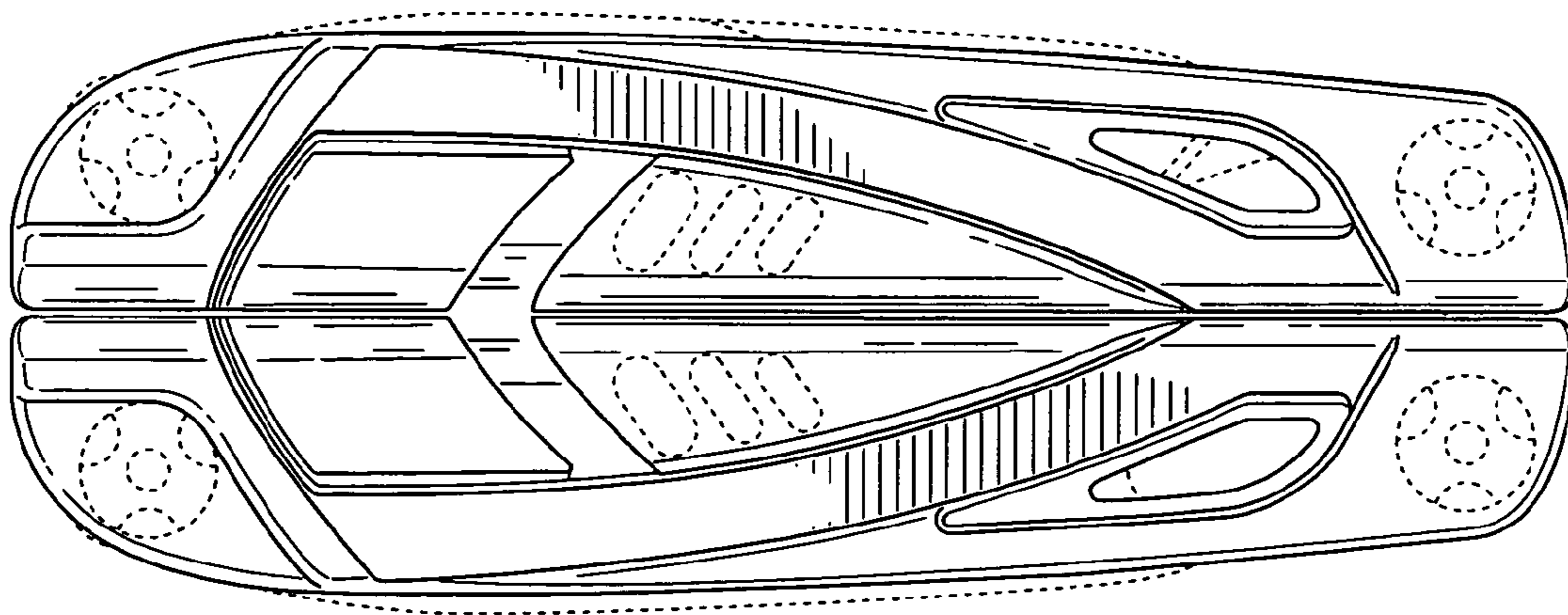


FIG. 3

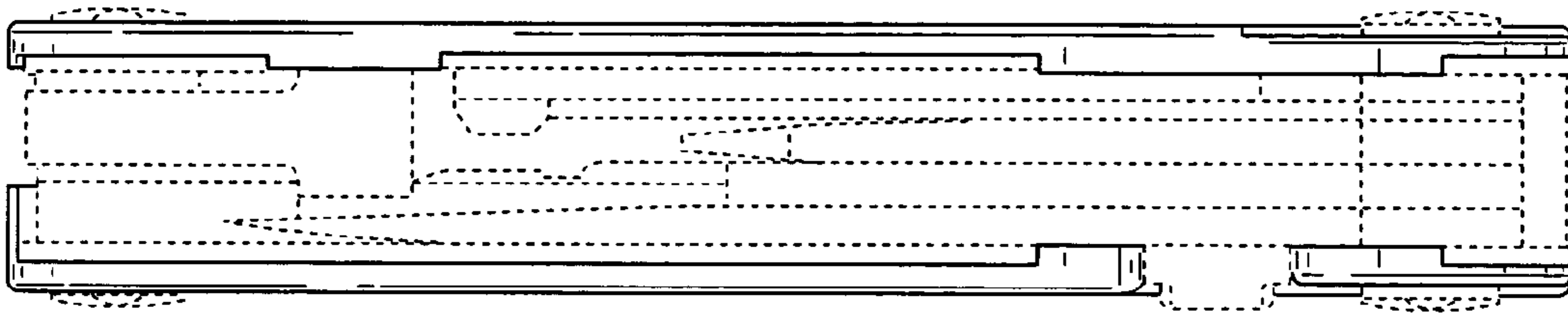


FIG. 6

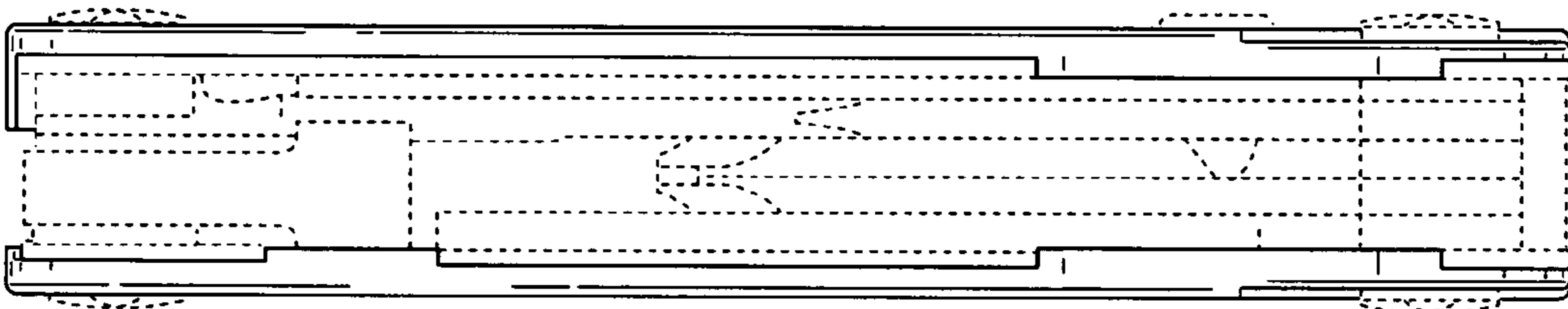


FIG. 7

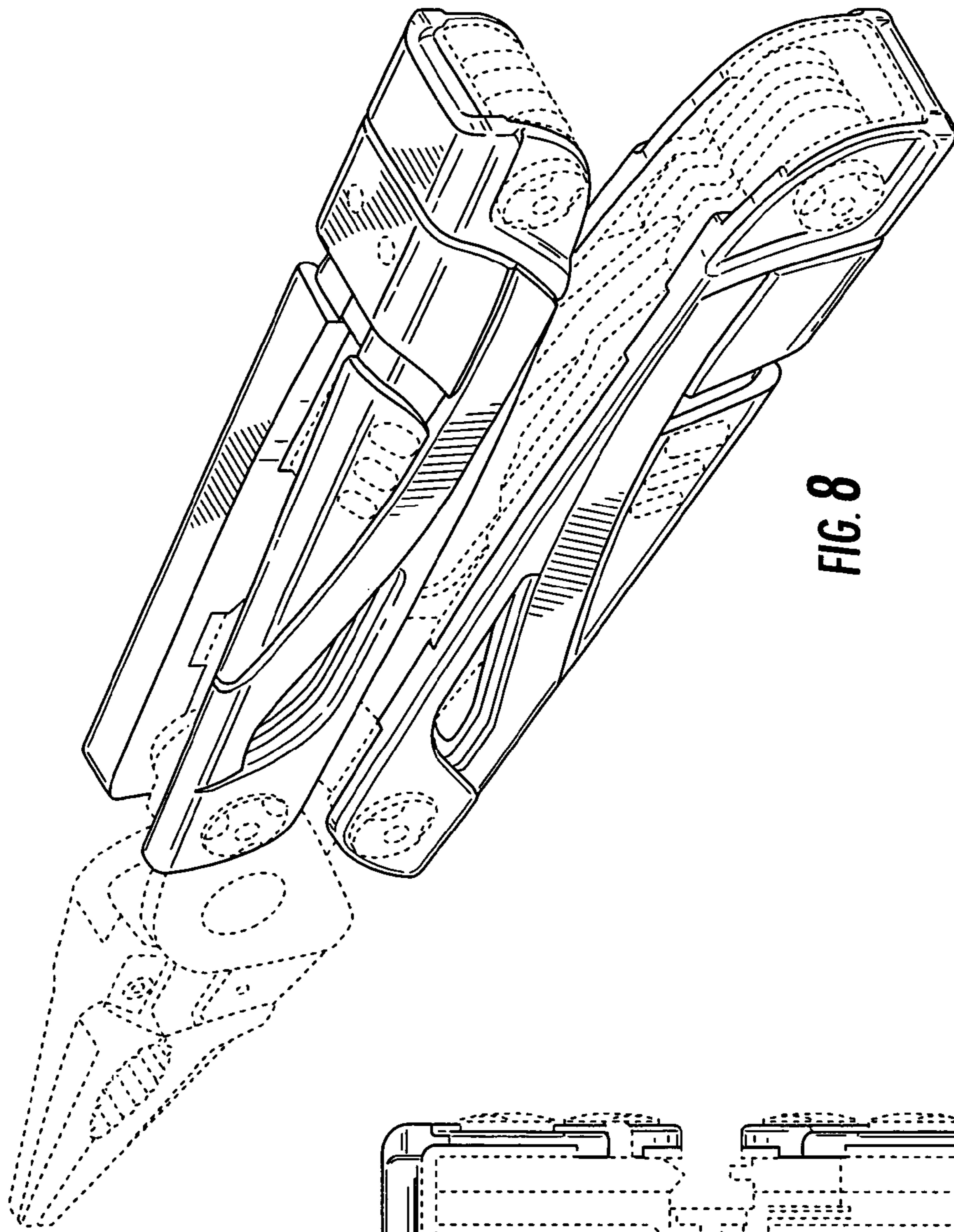


FIG. 8

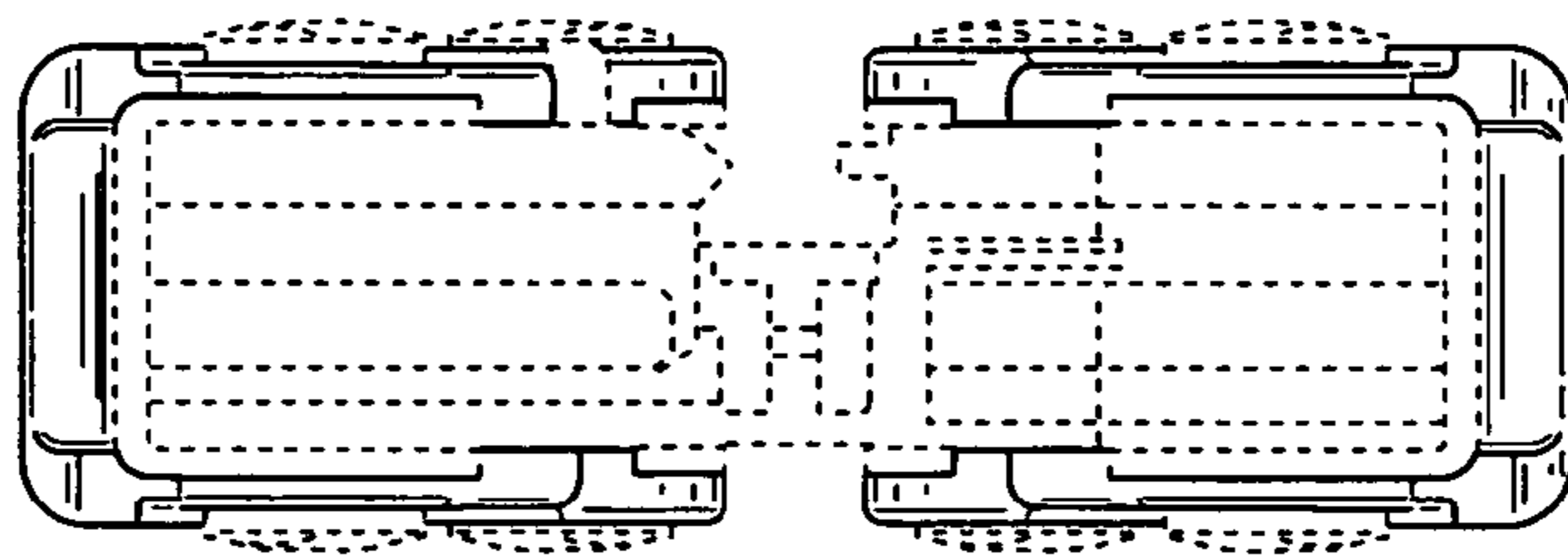


FIG. 12

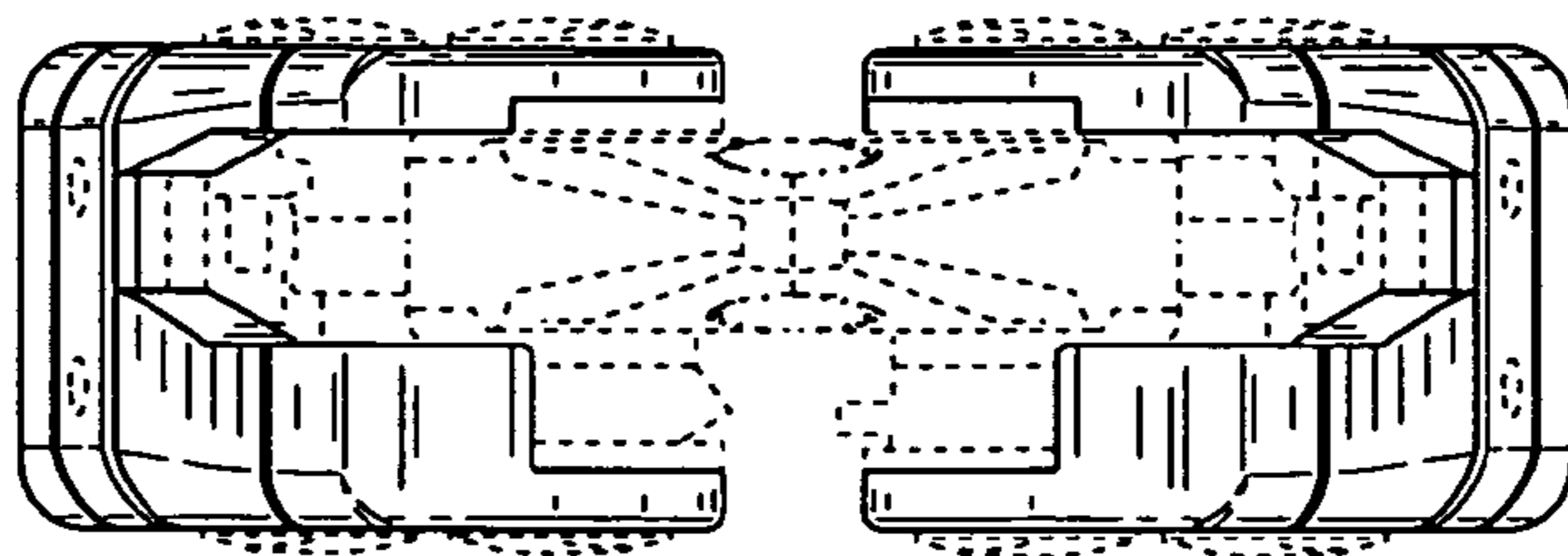


FIG. 11

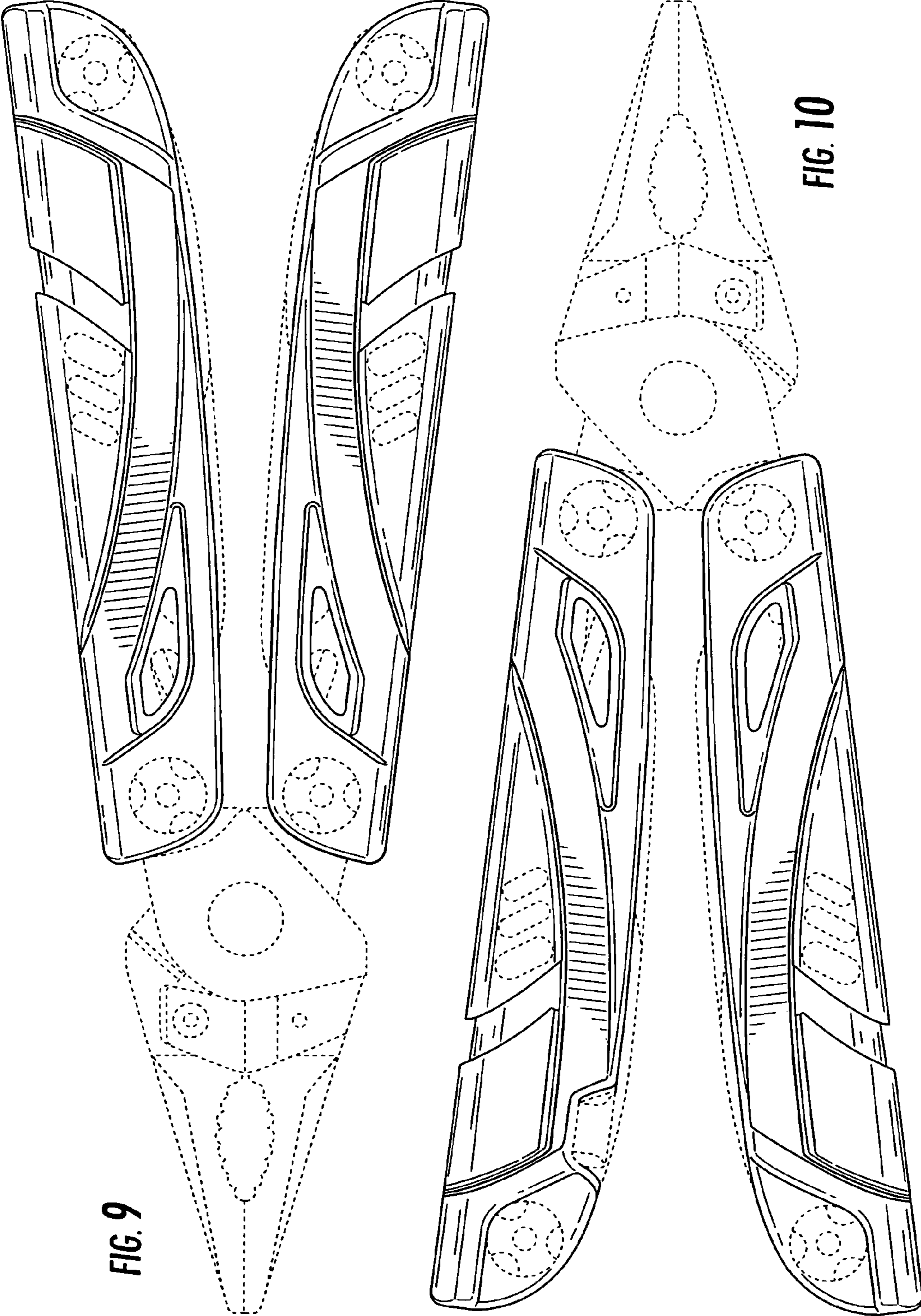


FIG. 9

FIG. 10

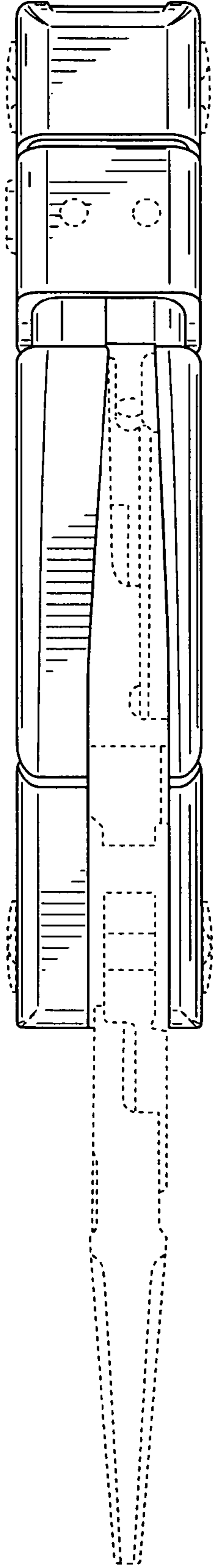


FIG. 13

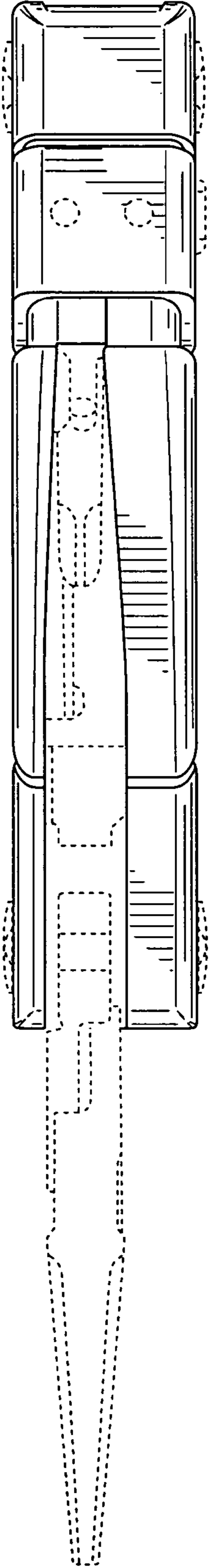


FIG. 14