



US00D623038S

(12) **United States Design Patent**
Seeds et al.

(10) **Patent No.:** **US D623,038 S**

(45) **Date of Patent:** **** Sep. 7, 2010**

(54) **HANDLE FOR A MULTI-FUNCTION TOOL**

(75) Inventors: **Darrin Seeds**, Vancouver, WA (US); **Hal Hardinge**, Tigard, OR (US)

(73) Assignee: **Fiskars Brands, Inc.**, Madison, WI (US)

(**) Term: **14 Years**

(21) Appl. No.: **29/315,943**

(22) Filed: **Aug. 7, 2009**

(51) **LOC (9) Cl.** **08-03**

(52) **U.S. Cl.** **D8/107; D8/105**

(58) **Field of Classification Search** D8/99,
D8/58, 55, 21, 356, 367, 52, 107, 105, 331,
D8/4; D3/210; 81/440, 437, 124.4, 177.4,
81/9.4; 7/138, 129, 128, 127, 125, 118; 30/155,
30/161, 169, 236; 16/430, 429
See application file for complete search history.

(56) **References Cited**

U.S. PATENT DOCUMENTS

| | | | | |
|-----------|-----|---------|-----------------|-------|
| 2,478,696 | A | 8/1949 | Isele | |
| 4,238,862 | A | 12/1980 | Leatherman | |
| 4,744,272 | A | 5/1988 | Leatherman | |
| D309,409 | S * | 7/1990 | Kiernan | D8/4 |
| 4,942,637 | A * | 7/1990 | Yeang-Yai | 7/135 |
| 5,142,721 | A | 9/1992 | Sessions et al. | |
| 5,212,844 | A | 5/1993 | Sessions et al. | |
| D367,807 | S | 3/1996 | Hung | |
| 5,564,318 | A | 10/1996 | Pail | |

(Continued)

FOREIGN PATENT DOCUMENTS

EP 0 653 975 B1 5/1995

OTHER PUBLICATIONS

Skeletool® CX, printed from website www.leatherman.com, available at least as early as Aug. 6, 2009, 1 page.

(Continued)

Primary Examiner—Austin Murphy

(74) *Attorney, Agent, or Firm*—Foley & Lardner LLP

(57) **CLAIM**

We claim the ornamental design for a handle for a multi-function tool, as shown and described.

DESCRIPTION

FIG. 1 is a perspective view of the claimed design in a closed configuration.

FIG. 2 is another perspective view of the claimed design in a closed configuration.

FIG. 3 is a right side view thereof.

FIG. 4 is a left side view thereof.

FIG. 5 is a front view thereof.

FIG. 6 is a rear view thereof.

FIG. 7 is a top view thereof.

FIG. 8 is a bottom view thereof.

FIG. 9 is a perspective view of the claimed design in an open configuration.

FIG. 10 is another perspective view of the claimed design in an open configuration.

FIG. 11 is a right side view thereof.

FIG. 12 is a left side view thereof.

FIG. 13 is a front view thereof.

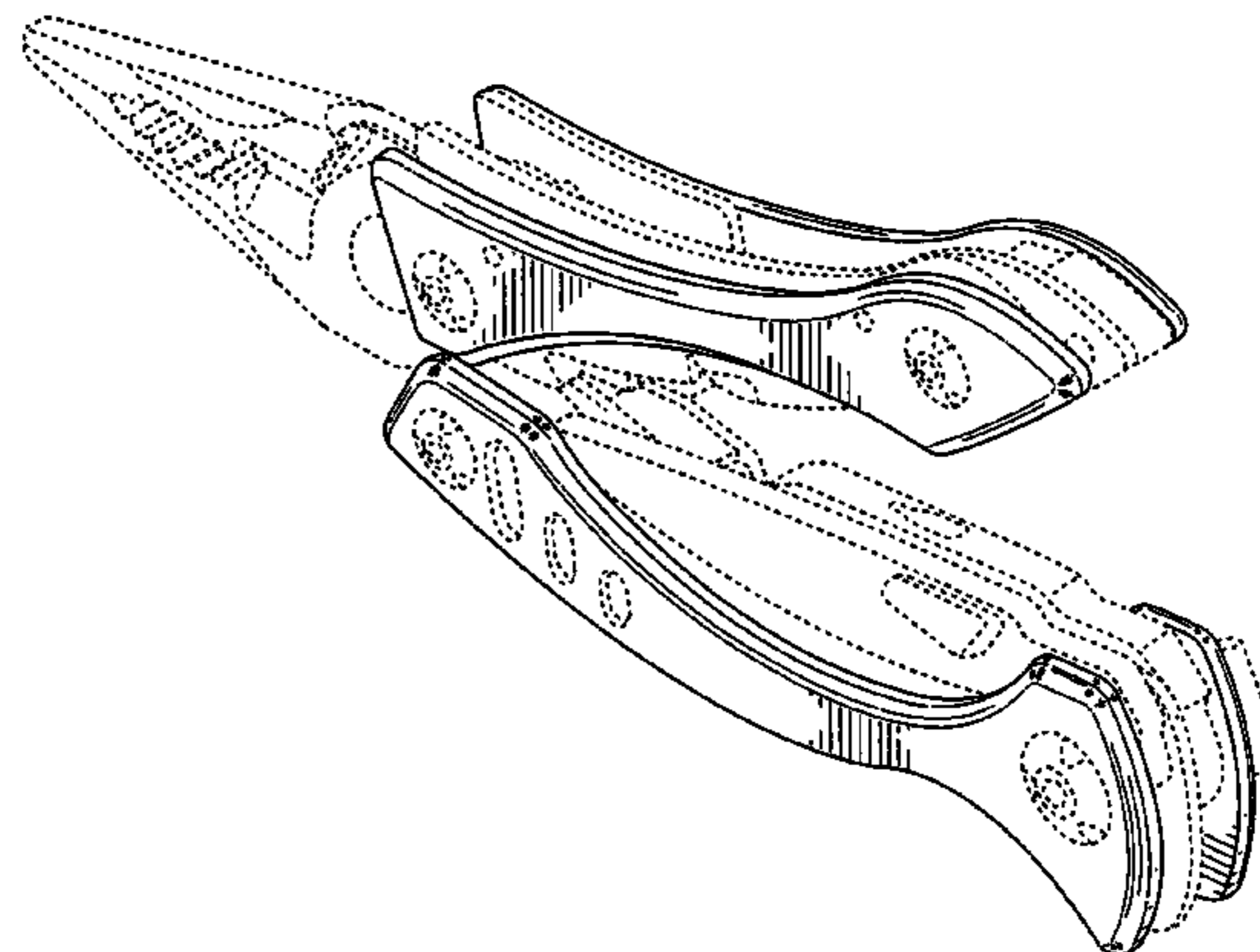
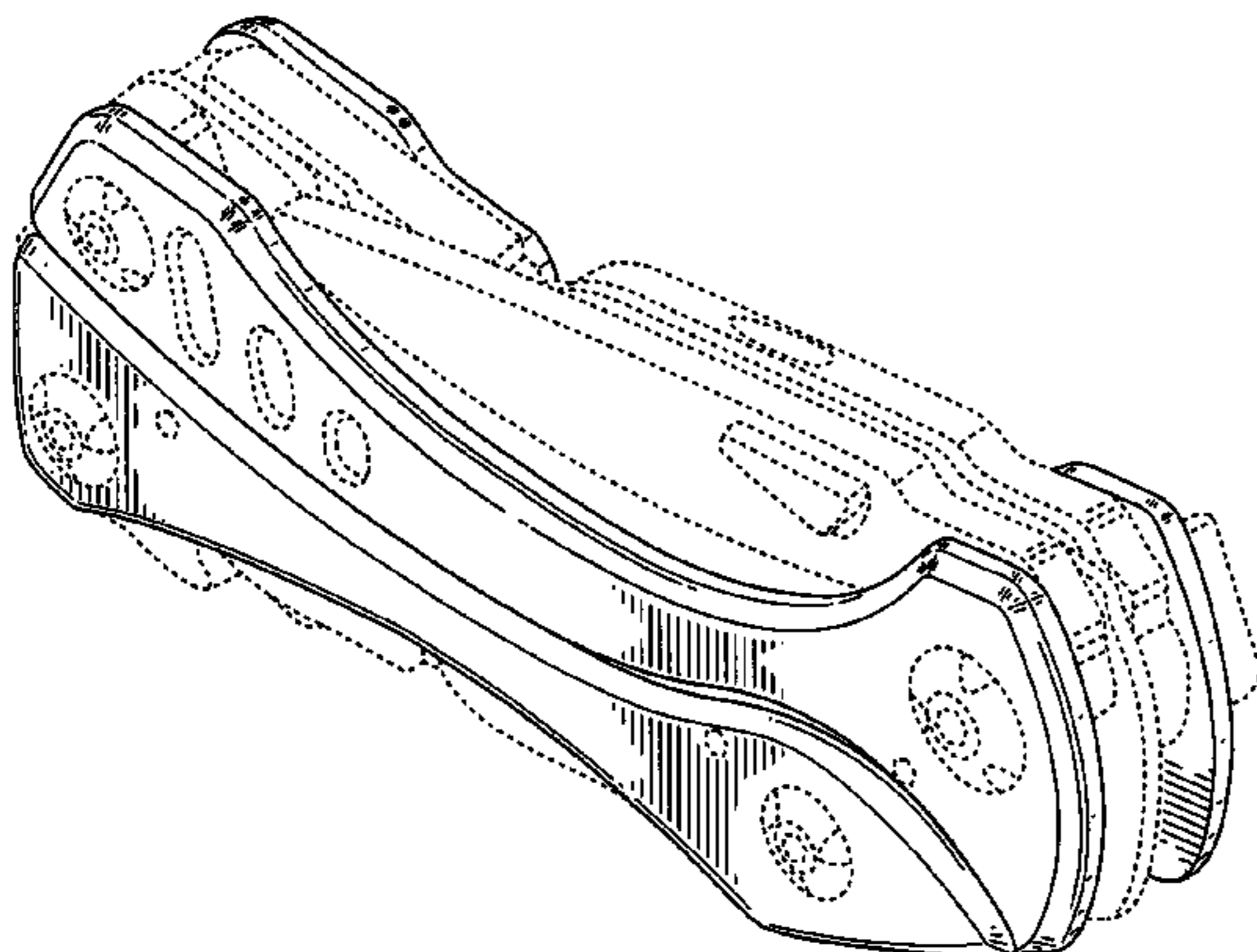
FIG. 14 is a rear view thereof.

FIG. 15 is a top view thereof; and,

FIG. 16 is a bottom view thereof.

The ornamental design which is claimed is shown in solid lines in the drawings. The broken lines in the drawings are for illustrative purposes only and form no part of the claimed design.

1 Claim, 8 Drawing Sheets



US D623,038 S

Page 2

U.S. PATENT DOCUMENTS

| | | | |
|-------------------|---------|-----------------------|----------|
| 5,664,274 A | 9/1997 | Collins | |
| 5,697,114 A | 12/1997 | McIntosh et al. | |
| D389,030 S | 1/1998 | Wensley | |
| 5,781,950 A | 7/1998 | Swinden et al. | |
| 5,916,277 A | 6/1999 | Dallas | |
| 5,963,999 A | 10/1999 | Gardiner et al. | |
| D416,186 S * | 11/1999 | Balolia | D8/107 |
| 6,003,180 A | 12/1999 | Frazer | |
| 6,006,385 A | 12/1999 | Kershaw et al. | |
| 6,009,582 A | 1/2000 | Harrison et al. | |
| 6,023,805 A | 2/2000 | Lin | |
| 6,038,723 A | 3/2000 | Nabors et al. | |
| D423,893 S * | 5/2000 | Mackin et al. | D8/52 |
| 6,088,860 A | 7/2000 | Poehlmann et al. | |
| 6,108,845 A | 8/2000 | Hung et al. | |
| D433,608 S | 11/2000 | Poehlmann et al. | |
| 6,145,144 A | 11/2000 | Poehlmann et al. | |
| 6,185,771 B1 | 2/2001 | Trusty, Sr. | |
| 6,219,870 B1 | 4/2001 | Swinden et al. | |
| 6,223,374 B1 | 5/2001 | Lin | |
| D445,326 S | 7/2001 | Alfaro | |
| 6,276,063 B1 | 8/2001 | Chen | |
| 6,282,996 B1 | 9/2001 | Berg et al. | |
| D448,636 S * | 10/2001 | Yeh | D8/55 |
| 6,305,041 B1 | 10/2001 | Montague et al. | |
| 6,341,423 B1 | 1/2002 | Tagart et al. | |
| D454,044 S | 3/2002 | Alfaro | |
| 6,405,395 B1 | 6/2002 | Poehlmann et al. | |
| D467,783 S | 12/2002 | Onion | |
| 6,487,941 B1 | 12/2002 | Ping | |
| D469,328 S * | 1/2003 | Ping | D8/107 |
| 6,523,203 B2 | 2/2003 | Harrison | |
| 6,594,906 B1 | 7/2003 | Sakai et al. | |
| 6,622,328 B2 | 9/2003 | Rivera | |
| 6,625,832 B2 | 9/2003 | Montague et al. | |
| D480,940 S | 10/2003 | Dallas | |
| D480,941 S | 10/2003 | Dallas | |
| D481,289 S | 10/2003 | Dallas | |
| 6,643,877 B1 | 11/2003 | Amtenbrink et al. | |
| 6,691,357 B2 | 2/2004 | Rivera | |
| D488,700 S | 4/2004 | Montague | |
| 6,721,984 B1 | 4/2004 | Harrison | |
| D493,685 S | 8/2004 | Dallas | |
| D505,057 S | 5/2005 | Ralph | |
| D515,903 S | 2/2006 | Kelleghan | |
| 7,000,323 B1 | 2/2006 | Hatcher et al. | |
| 7,028,591 B2 | 4/2006 | Dallas et al. | |
| 7,039,974 B2 | 5/2006 | Berg | |
| 7,063,435 B2 | 6/2006 | Dallas et al. | |
| D530,180 S * | 10/2006 | Klecker et al. | D8/99 |
| 7,150,210 B2 | 12/2006 | Berg et al. | |
| D535,171 S | 1/2007 | Ping | |
| D541,618 S * | 5/2007 | Klecker | D8/107 |
| D551,050 S * | 9/2007 | Ping | D8/99 |
| D553,467 S | 10/2007 | Ryan | |
| D557,100 S | 12/2007 | Stokes et al. | |
| 7,347,128 B2 | 3/2008 | Rivera et al. | |
| 7,363,669 B2 | 4/2008 | Berg et al. | |
| D568,710 S | 5/2008 | Klecker et al. | |
| D569,212 S * | 5/2008 | Hawk et al. | D8/99 |
| D571,181 S | 6/2008 | Klecker et al. | |
| D573,437 S | 7/2008 | Nenadic | |
| D573,865 S | 7/2008 | Klecker et al. | |
| 7,406,896 B2 * | 8/2008 | Rivera | 81/177.4 |
| D592,931 S | 5/2009 | Nenadic | |
| D595,103 S * | 6/2009 | Goodrich | D8/99 |
| D596,911 S * | 7/2009 | Carpenter et al. | D8/55 |
| D600,528 S * | 9/2009 | Nyssen et al. | D8/105 |
| 7,596,870 B2 * | 10/2009 | Klecker et al. | 30/236 |
| 7,607,231 B2 * | 10/2009 | Klecker et al. | 30/236 |
| 7,665,389 B2 * | 2/2010 | Frazer | 81/9.4 |
| 7,712,399 B2 * | 5/2010 | Nenadic | 81/427.5 |
| 7,730,811 B2 * | 6/2010 | Robinson et al. | 81/423 |
| 2001/0014986 A1 * | 8/2001 | Harrison | 7/128 |
| 2004/0000058 A1 * | 1/2004 | Shyr | 30/262 |
| 2004/0003472 A1 | 1/2004 | Dallas et al. | |
| 2004/0031105 A1 * | 2/2004 | Berg | 7/128 |
| 2005/0193498 A1 * | 9/2005 | Klecker et al. | 7/158 |

OTHER PUBLICATIONS

Freestyle™ CX, printed from website www.leatherman.com, available at least as early as Aug. 6, 2009, 1 page.
 SL™ Plier, Toollogic, Built for Life, printed from website www.toollogic.com, available at least as early as Aug. 6, 2009, 1 page.
 U.S. Appl. No. 29/335,234, filed Apr. 10, 2009, Freeman et al.
 U.S. Appl. No. 29/334,817, filed Apr. 2, 2009, Nyssen et al.
 U.S. Appl. No. 12/274,850, filed Nov. 20, 2008, Nason et al.
 U.S. Appl. No. 29/334,819, filed Apr. 2, 2009, Nyssen et al.

* cited by examiner

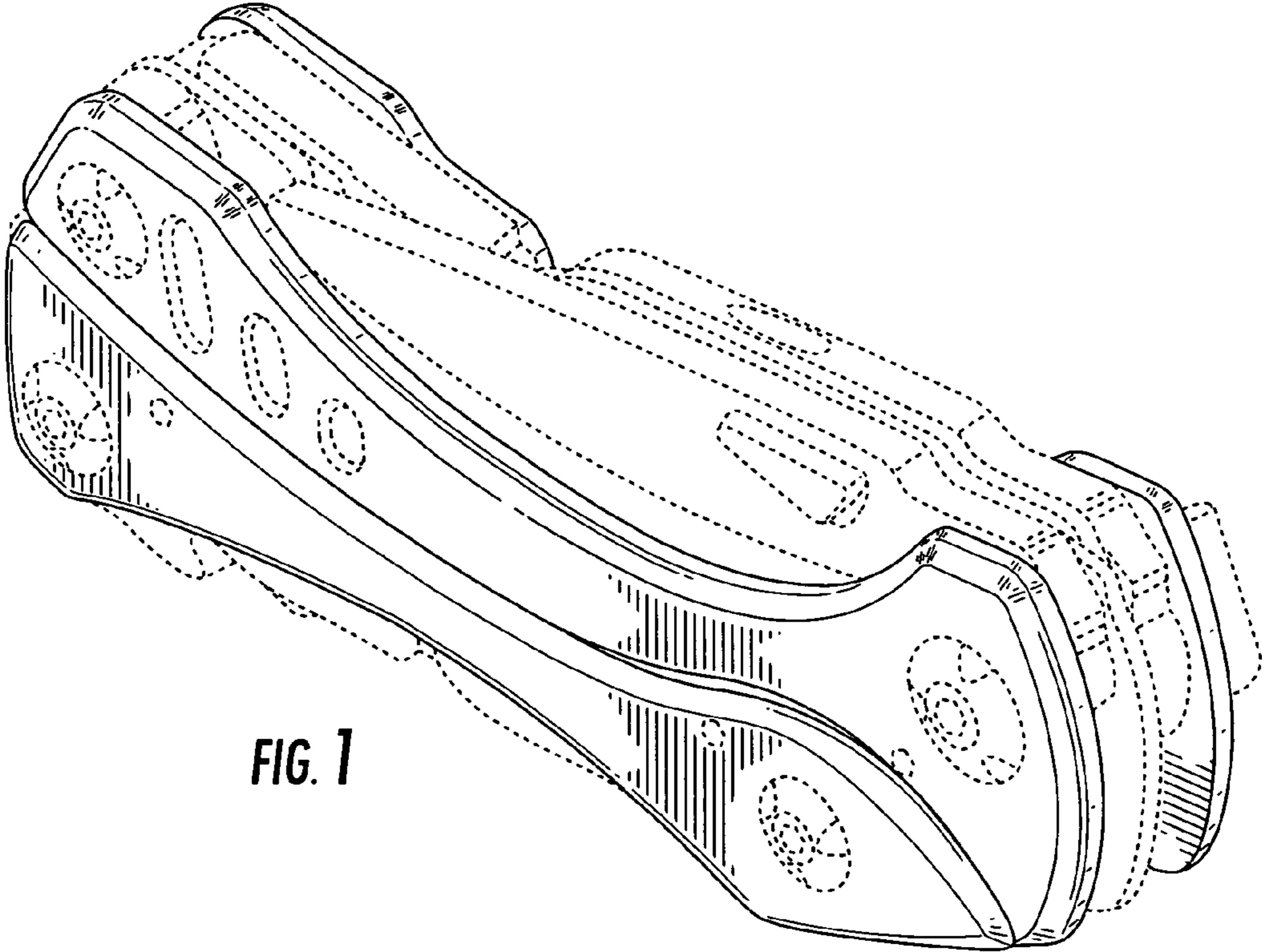


FIG. 1

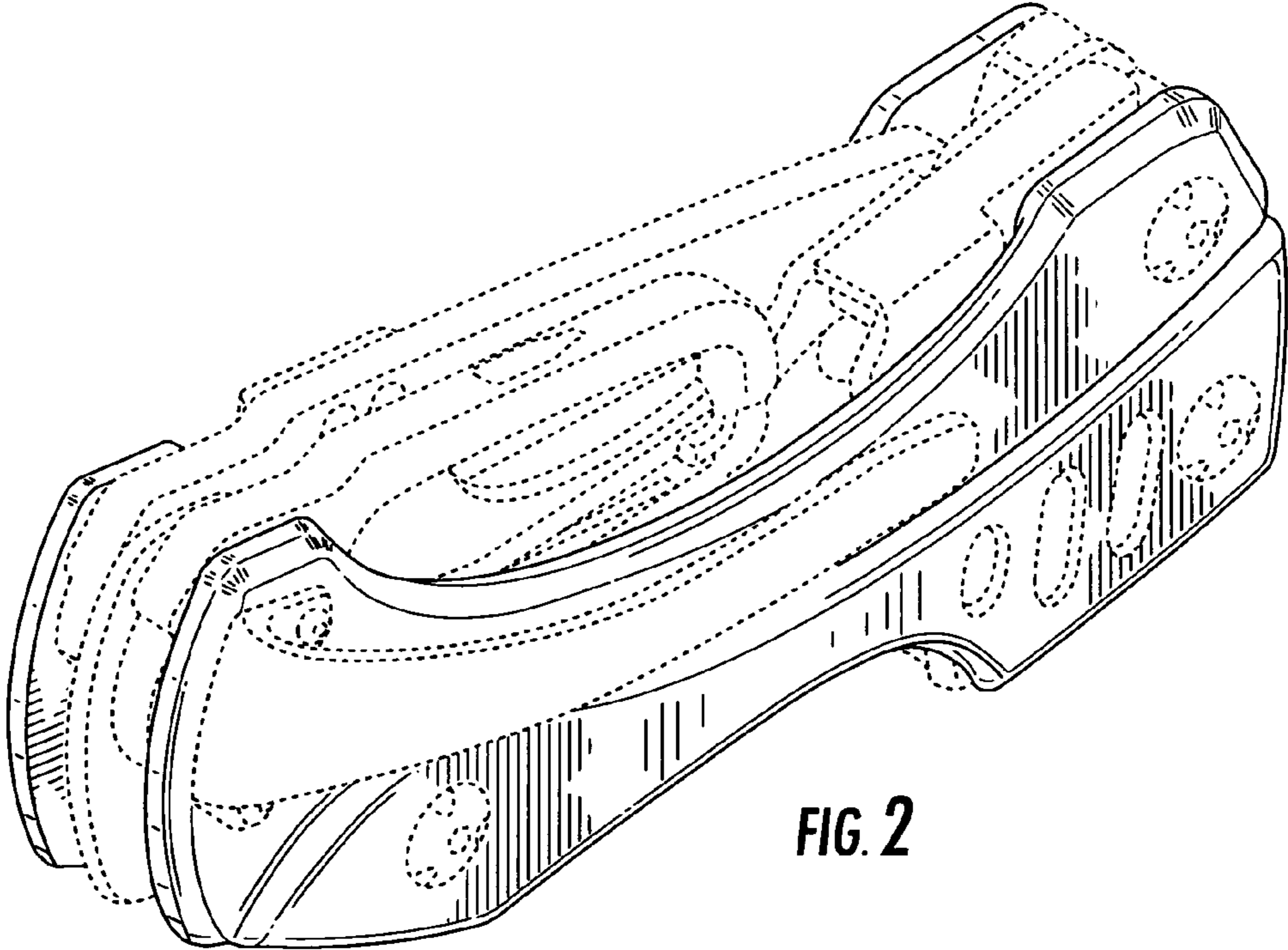


FIG. 2

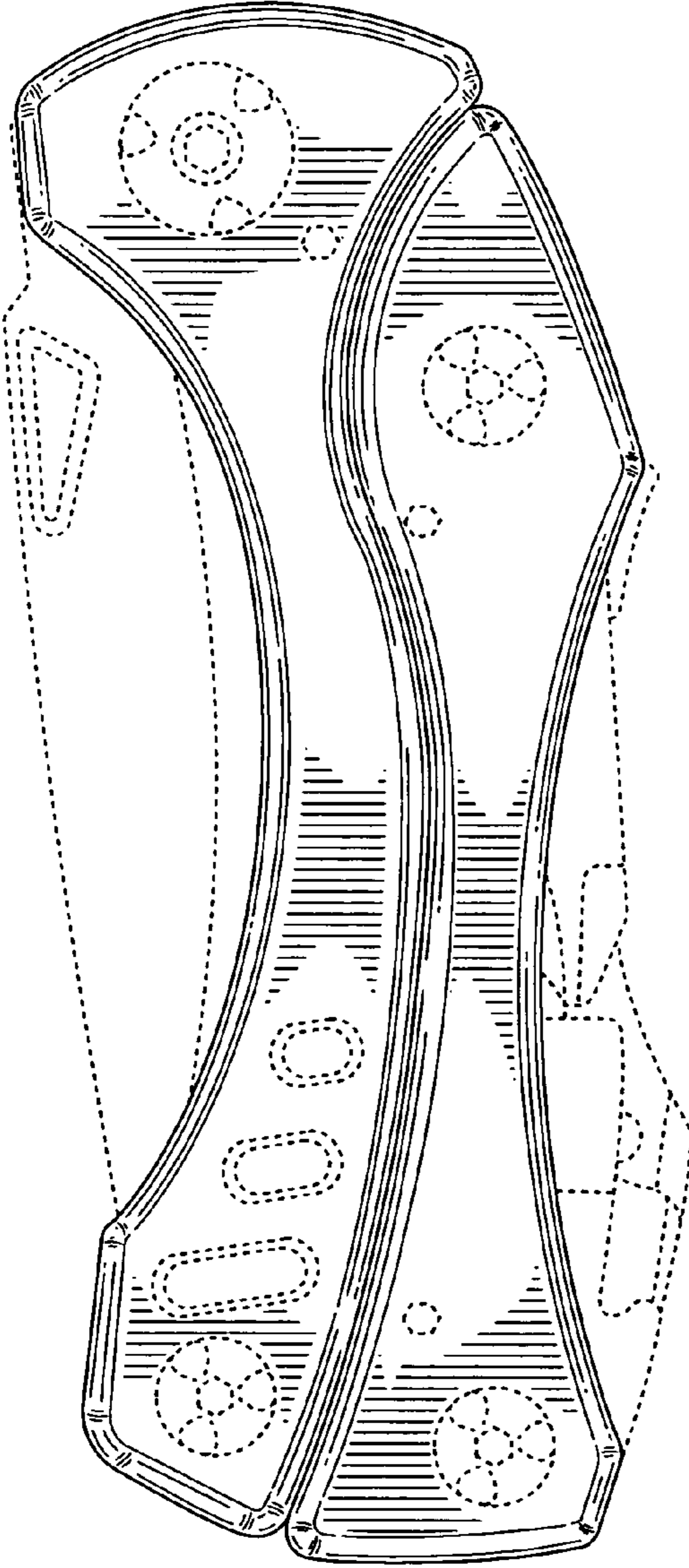


FIG. 3

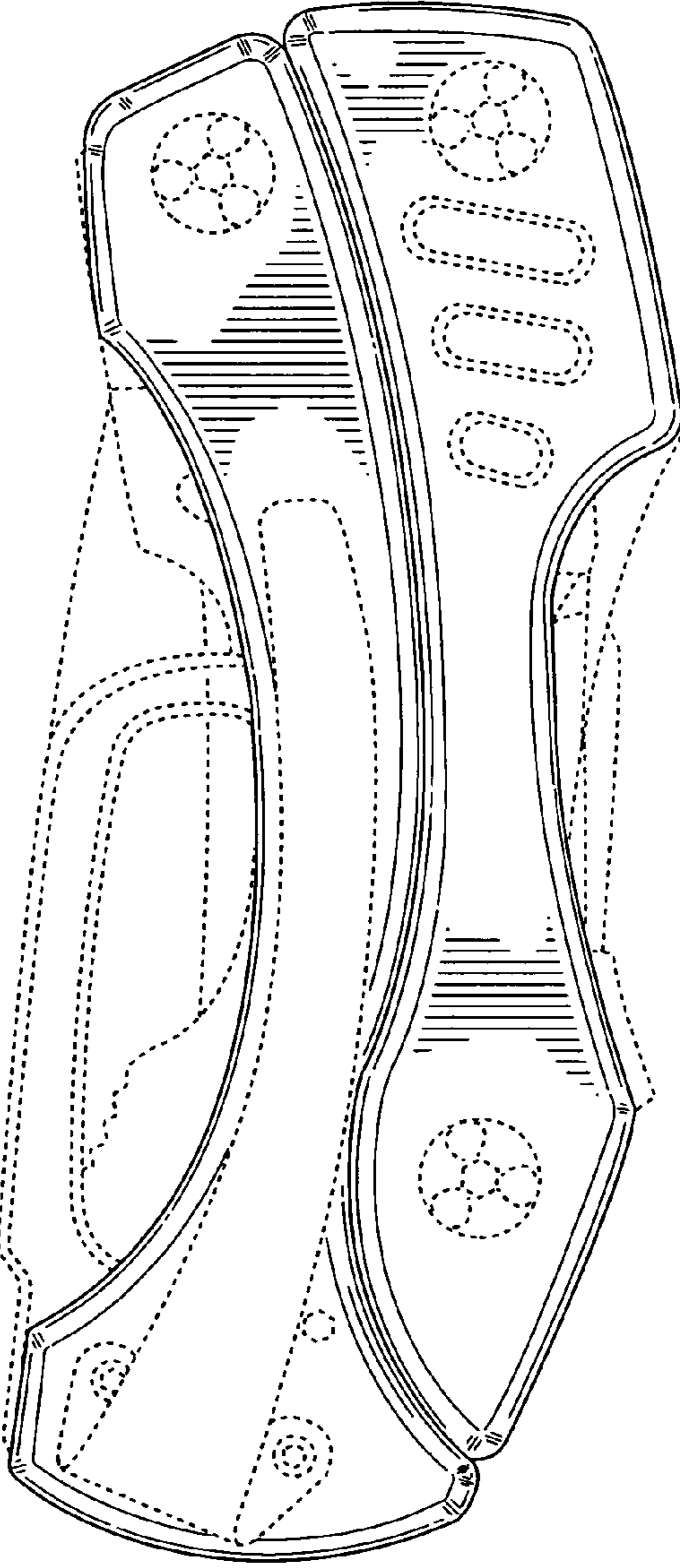


FIG. 4

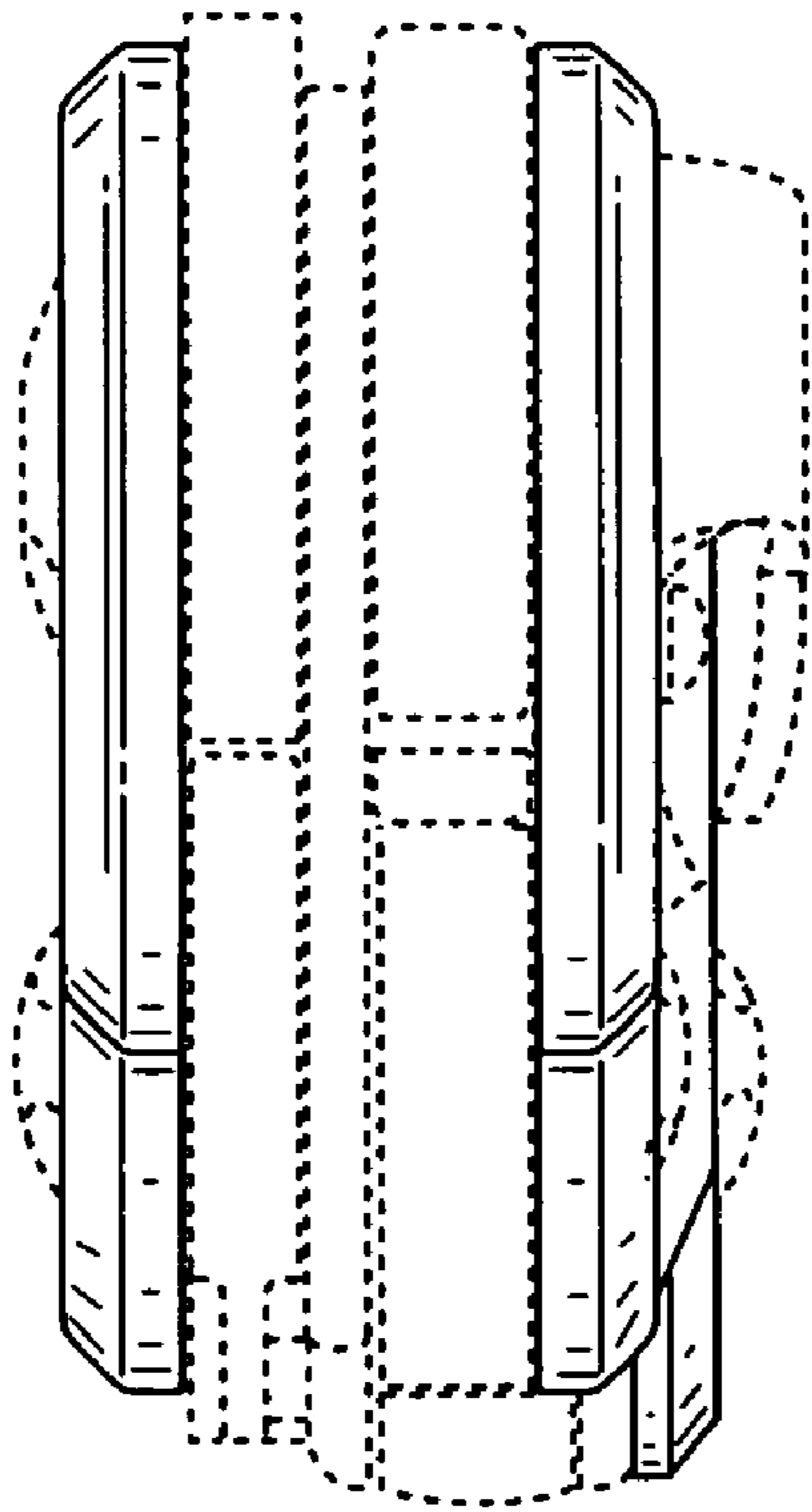


FIG. 5

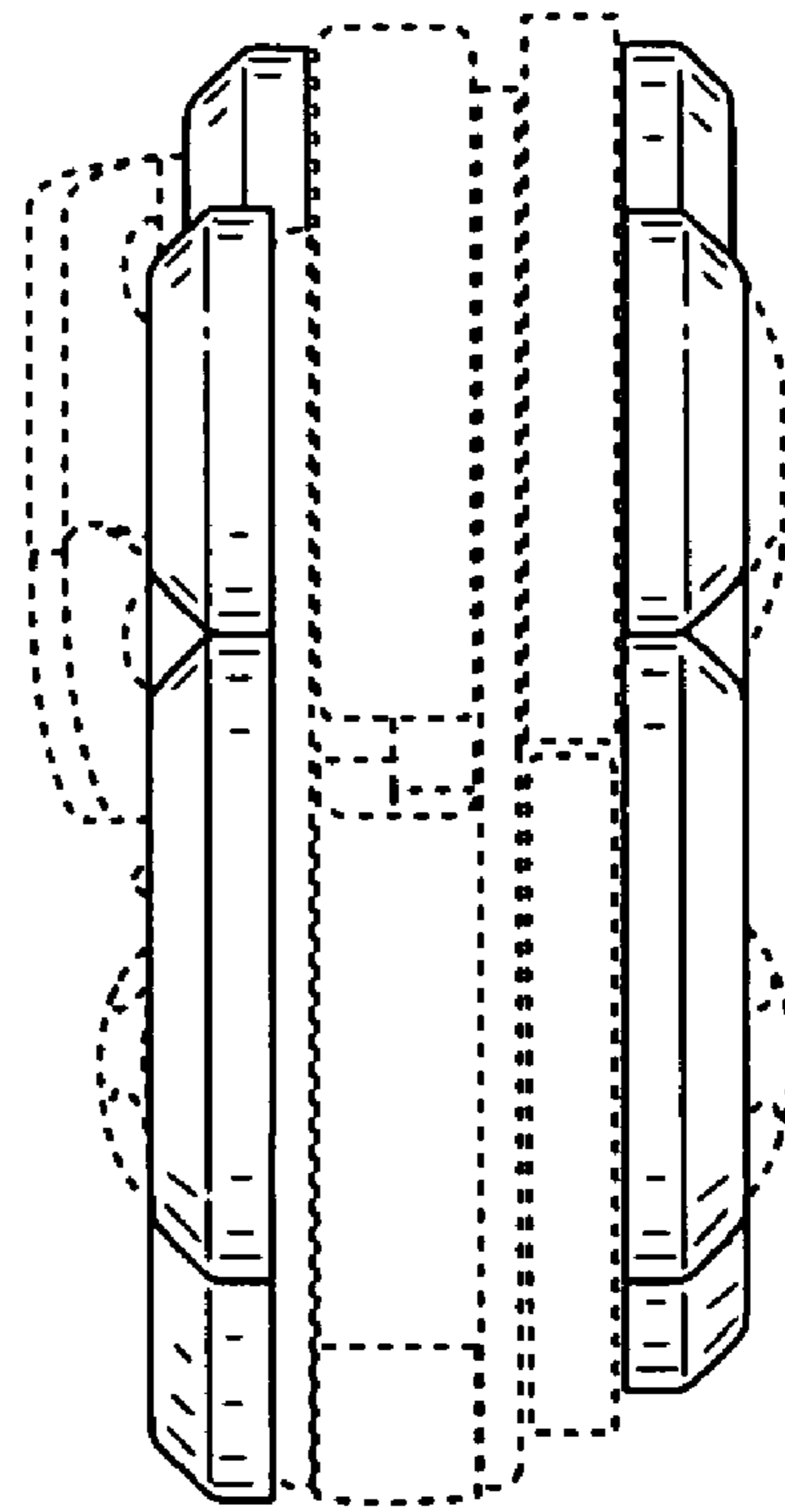


FIG. 6

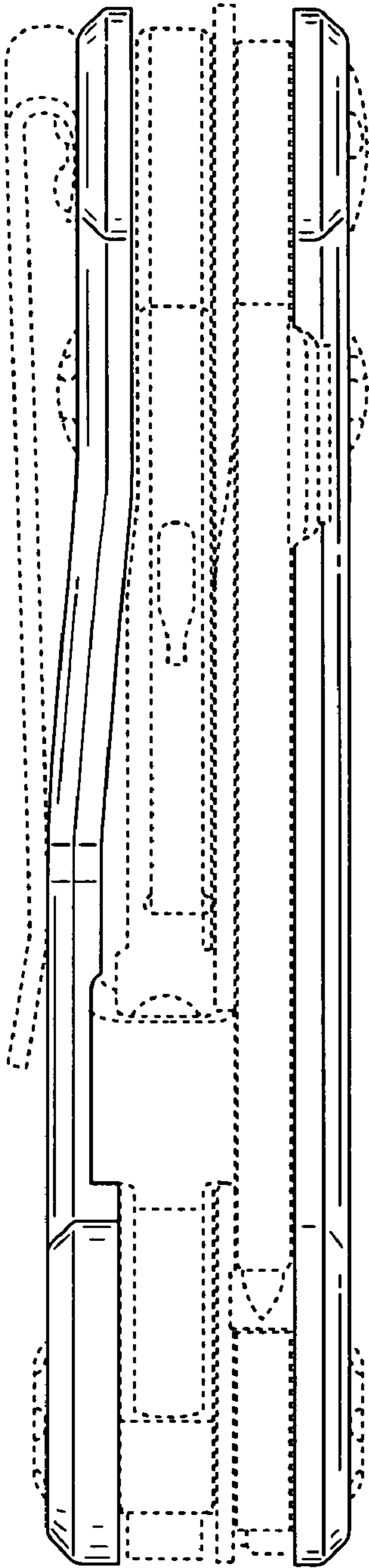


FIG. 7

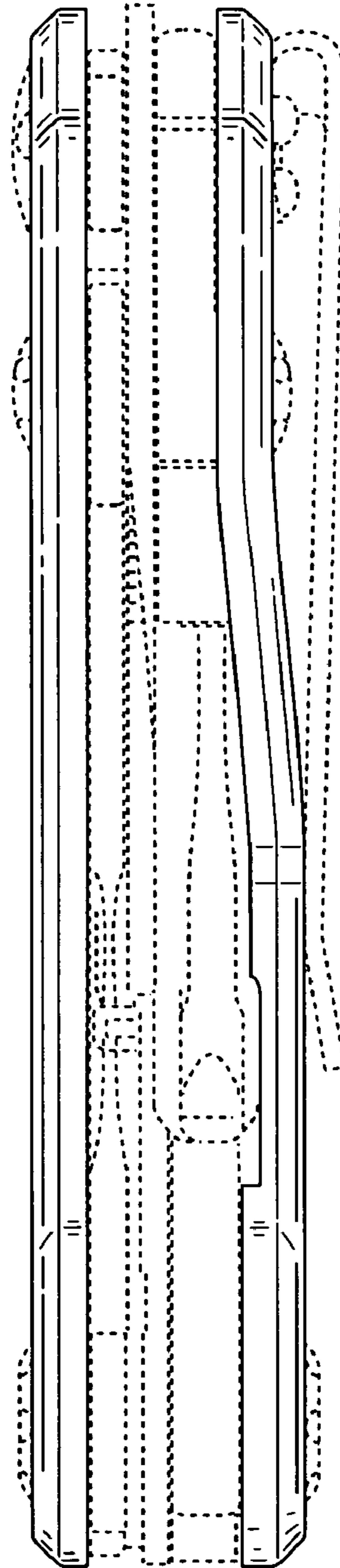


FIG. 8

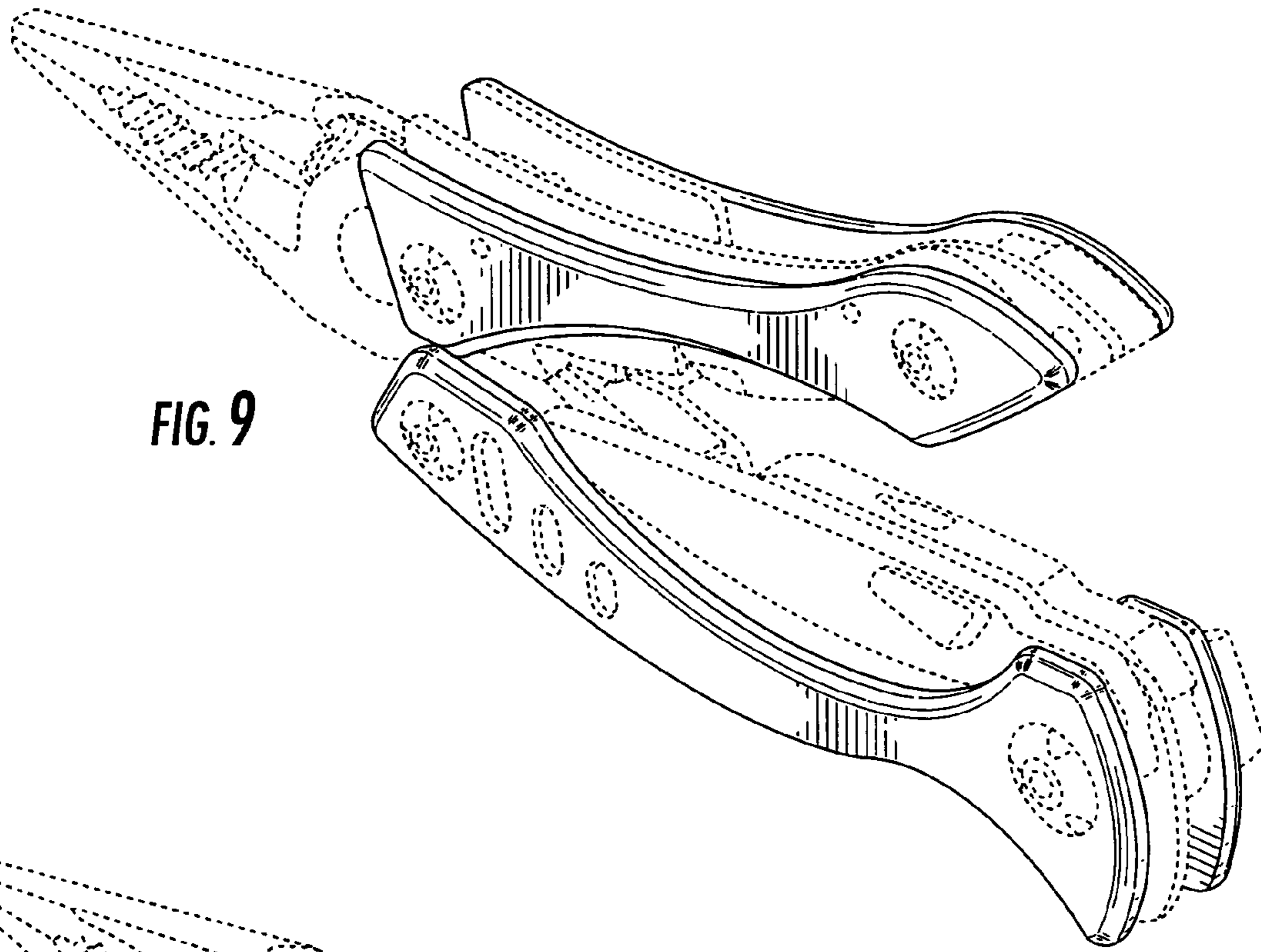


FIG. 9

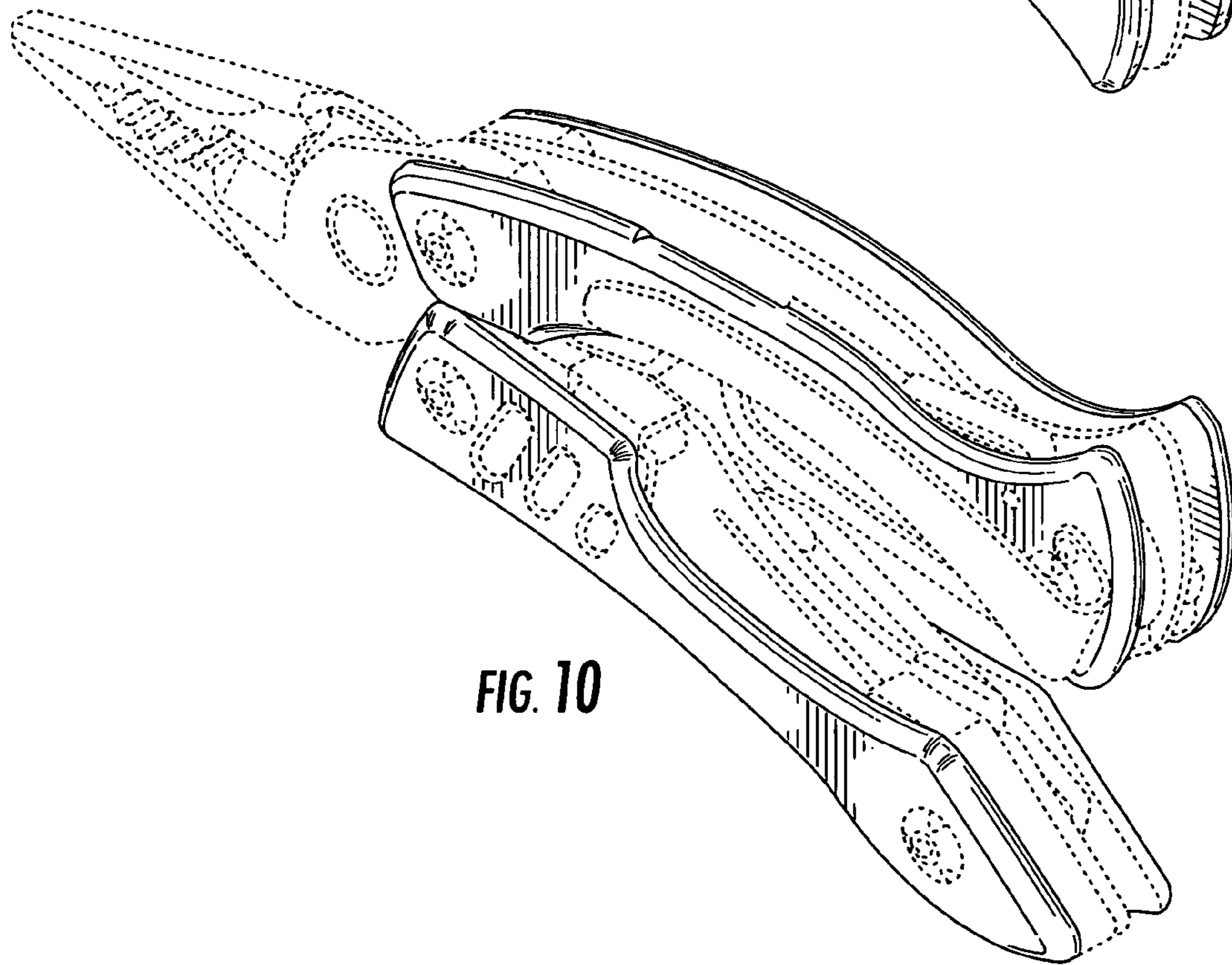


FIG. 10

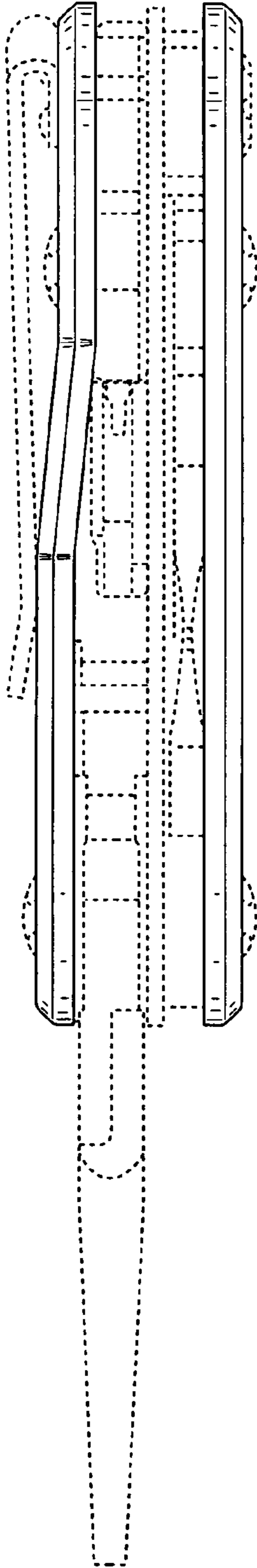


FIG. 16

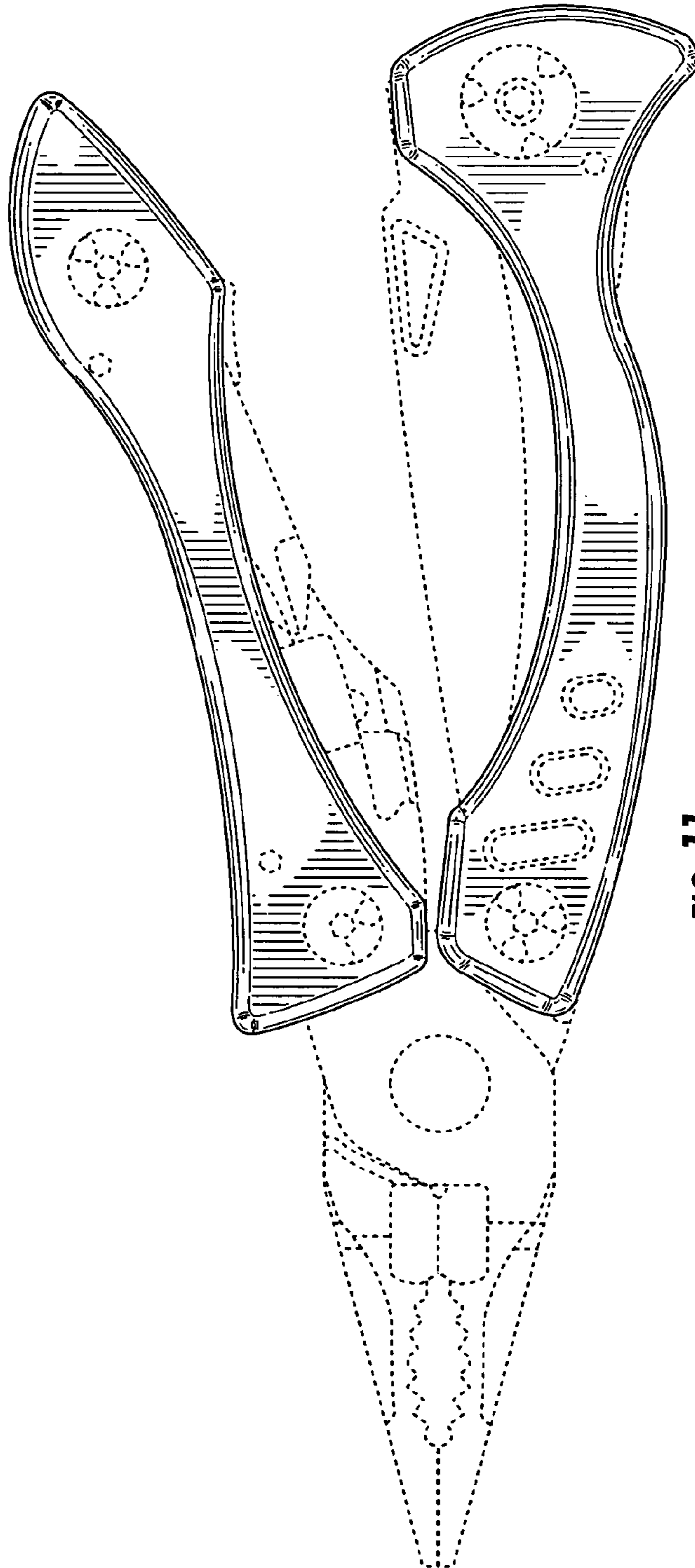


FIG. 17

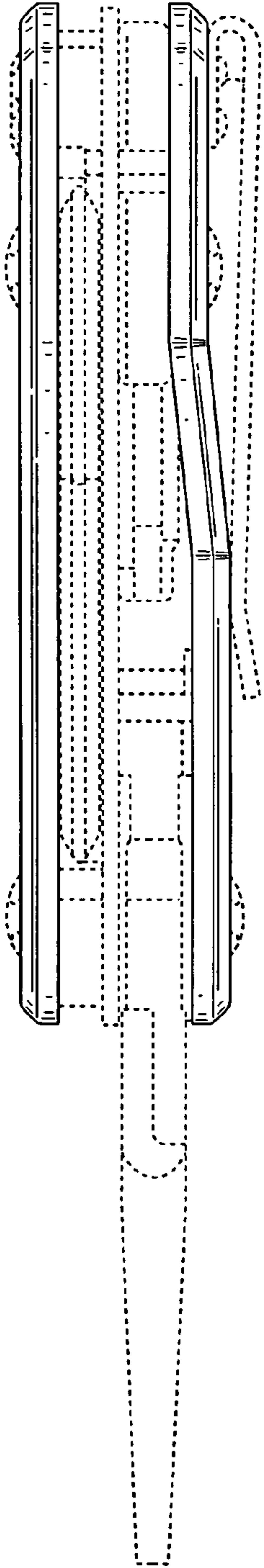


FIG. 15

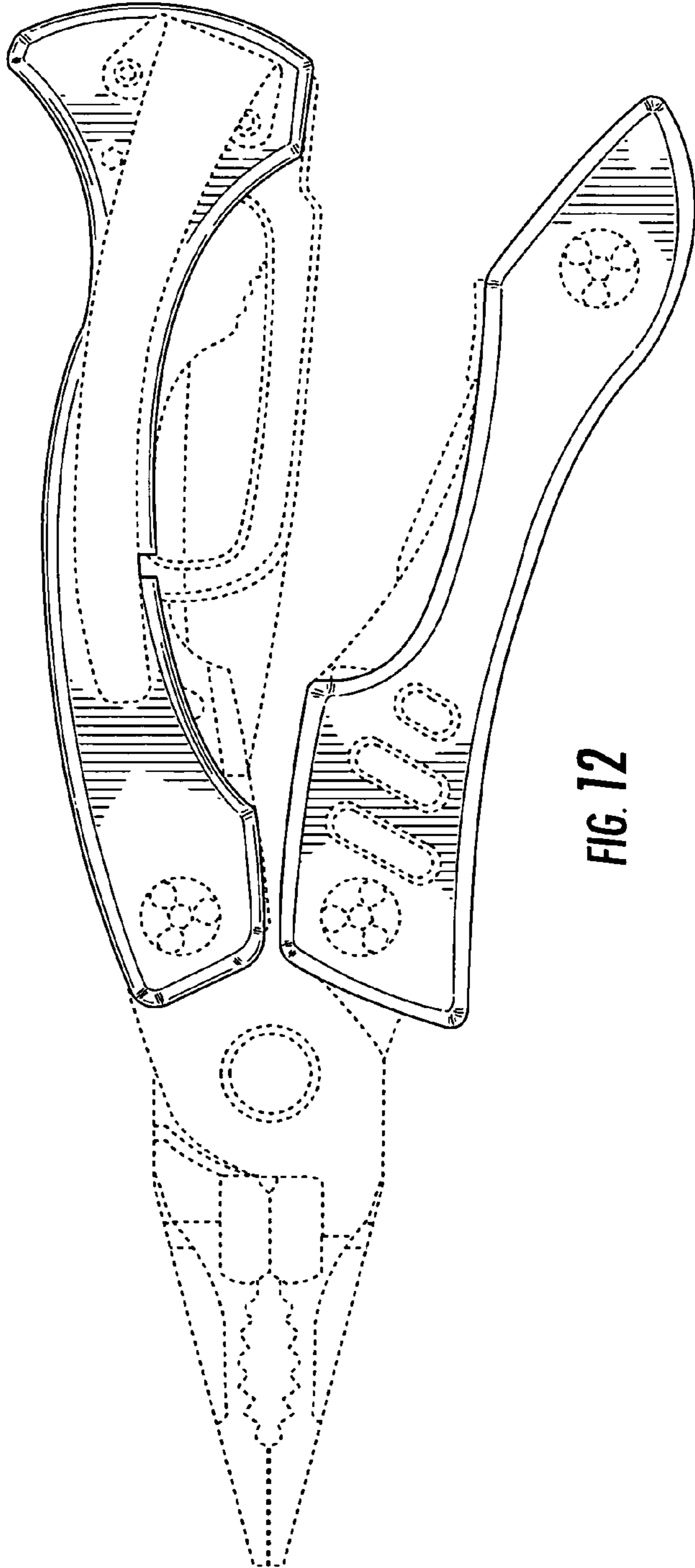


FIG. 12

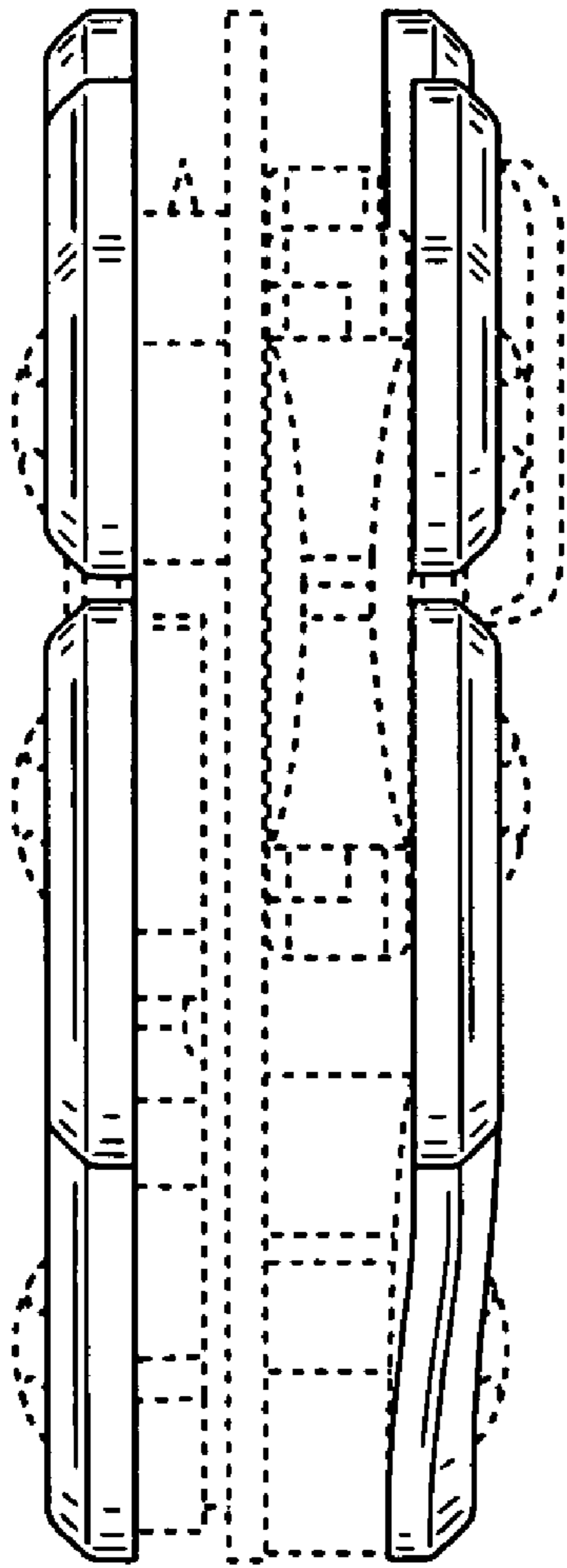


FIG. 13

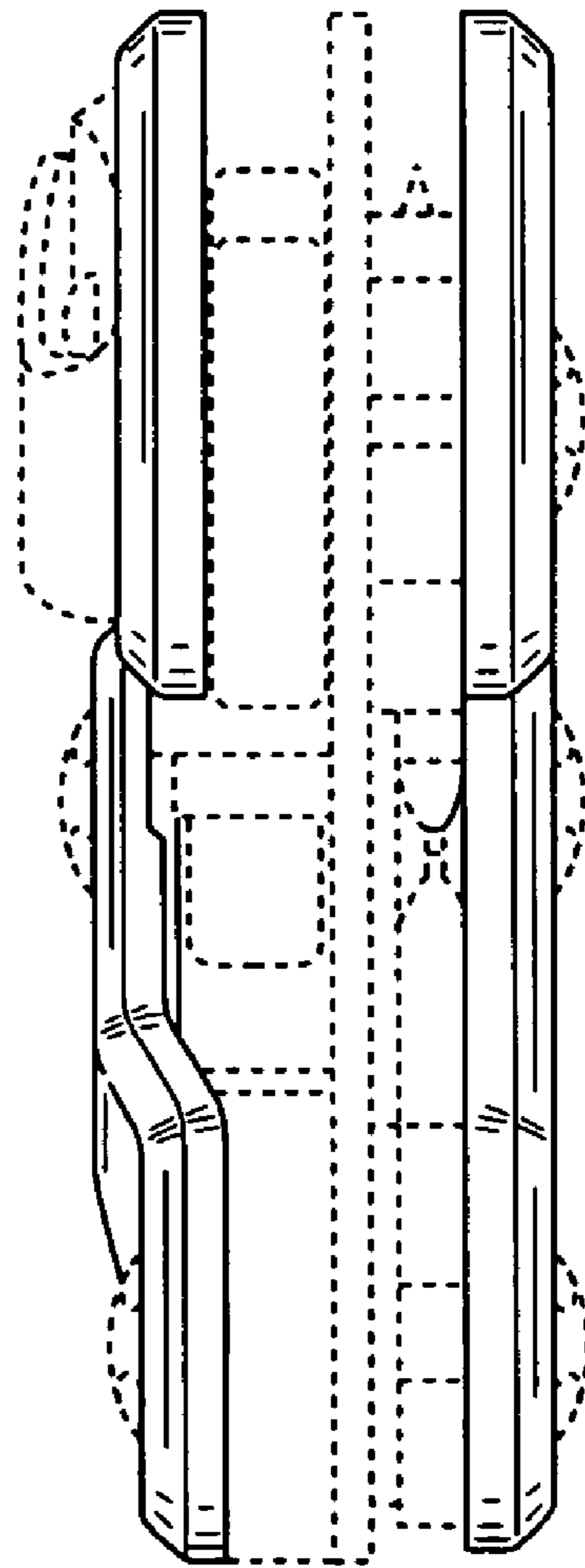


FIG. 14