



US00D623035S

(12) **United States Design Patent**  
**Rivera et al.**

(10) **Patent No.:** **US D623,035 S**

(45) **Date of Patent:** **\*\* Sep. 7, 2010**

(54) **ACCESSORY TOOL HOLDER FOR A HAND TOOL**

2006/0200913 A1\* 9/2006 Guan ..... 7/128

\* cited by examiner

(75) Inventors: **Benjamin C. Rivera**, Lake Oswego, OR (US); **Jeffrey L. Caniparoli**, Milwaukie, OR (US); **Jeffrey B. Castro**, Portland, OR (US); **Blair Scott Barnes**, Portland, OR (US)

*Primary Examiner*—Antoine D Davis

(74) *Attorney, Agent, or Firm*—Alston & Bird LLP

(73) Assignee: **Leatherman Tool Group, Inc.**, Portland, OR (US)

(57) **CLAIM**

The ornamental design for an accessory tool holder for a hand tool, as shown and described.

(\*\*) Term: **14 Years**

**DESCRIPTION**

(21) Appl. No.: **29/352,328**

FIG. 1 is a perspective view of an accessory tool holder for a hand tool according to our new design;

(22) Filed: **Dec. 18, 2009**

FIG. 2 is a top plan view thereof;

(51) **LOC (9) Cl.** ..... **08-05**

FIG. 3 is a bottom plan view thereto;

(52) **U.S. Cl.** ..... **D8/70**

FIG. 4 is a left side elevation view thereof;

(58) **Field of Classification Search** ..... D8/70,  
D8/371, 380, 381; D25/121; 206/214, 372–379;  
220/270, 271, 522; 248/121, 690, 692, 612,  
248/174, 201, 207, 213.2, 215, 247, 248,  
248/300, 301; 312/90, DIG. 33; 7/167, 168;  
30/124, 125, FOR. 101, FOR. 105; 81/490,  
81/487

FIG. 5 is a right side elevation view thereof;

FIG. 6 is a front elevation view thereof;

FIG. 7 is a rear elevation view thereof;

FIG. 8 is a perspective view thereof, shown in the environment of a hand tool; and,

FIG. 9 is a top plan view thereof, shown in the environment of a hand tool.

See application file for complete search history.

The broken lines immediately adjacent the shaded areas represent bounds of the claimed design and environment while all other broken lines are directed to environment and are for illustrative purposes only. The broken lines form no part of the claimed design.

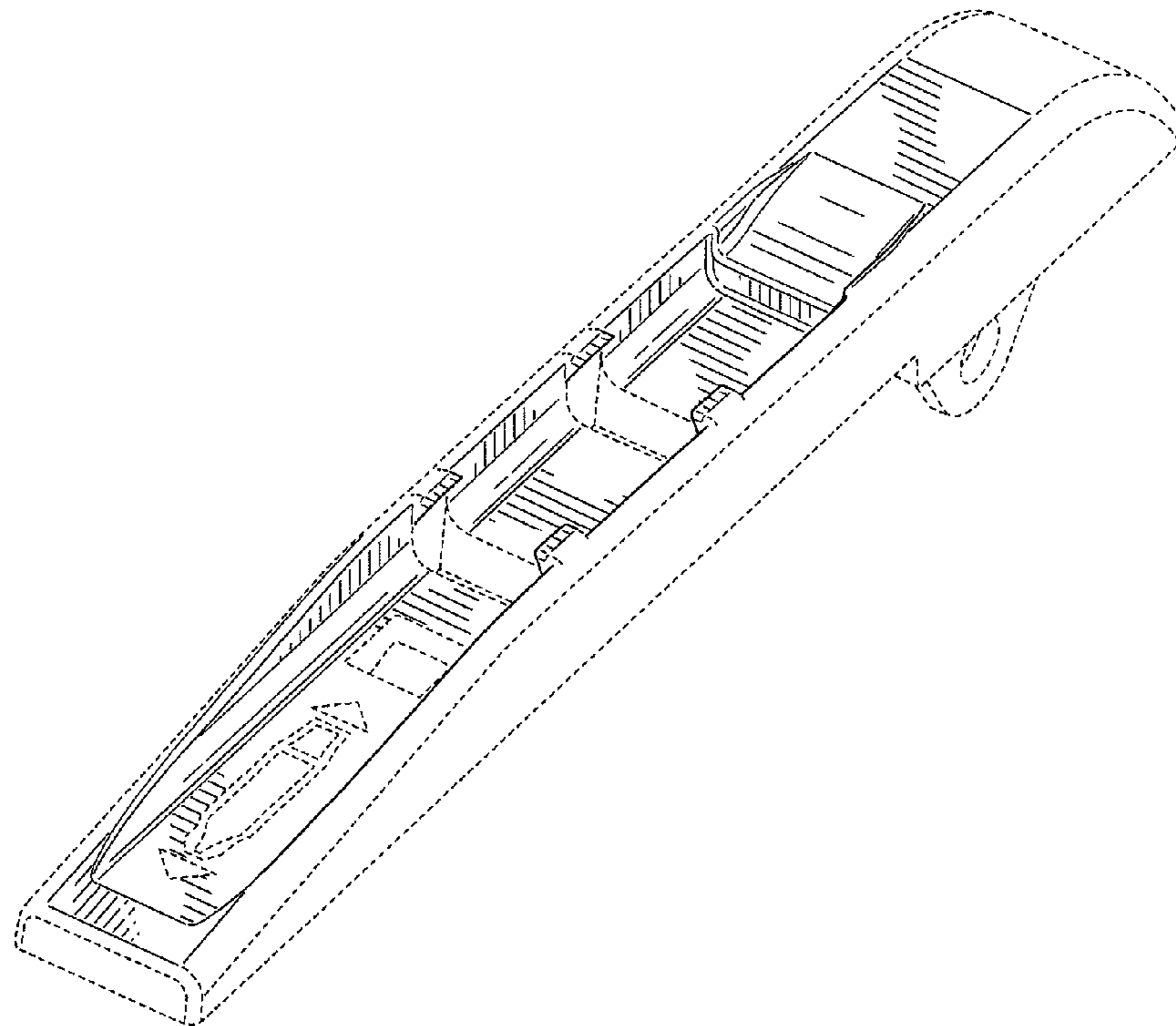
(56) **References Cited**

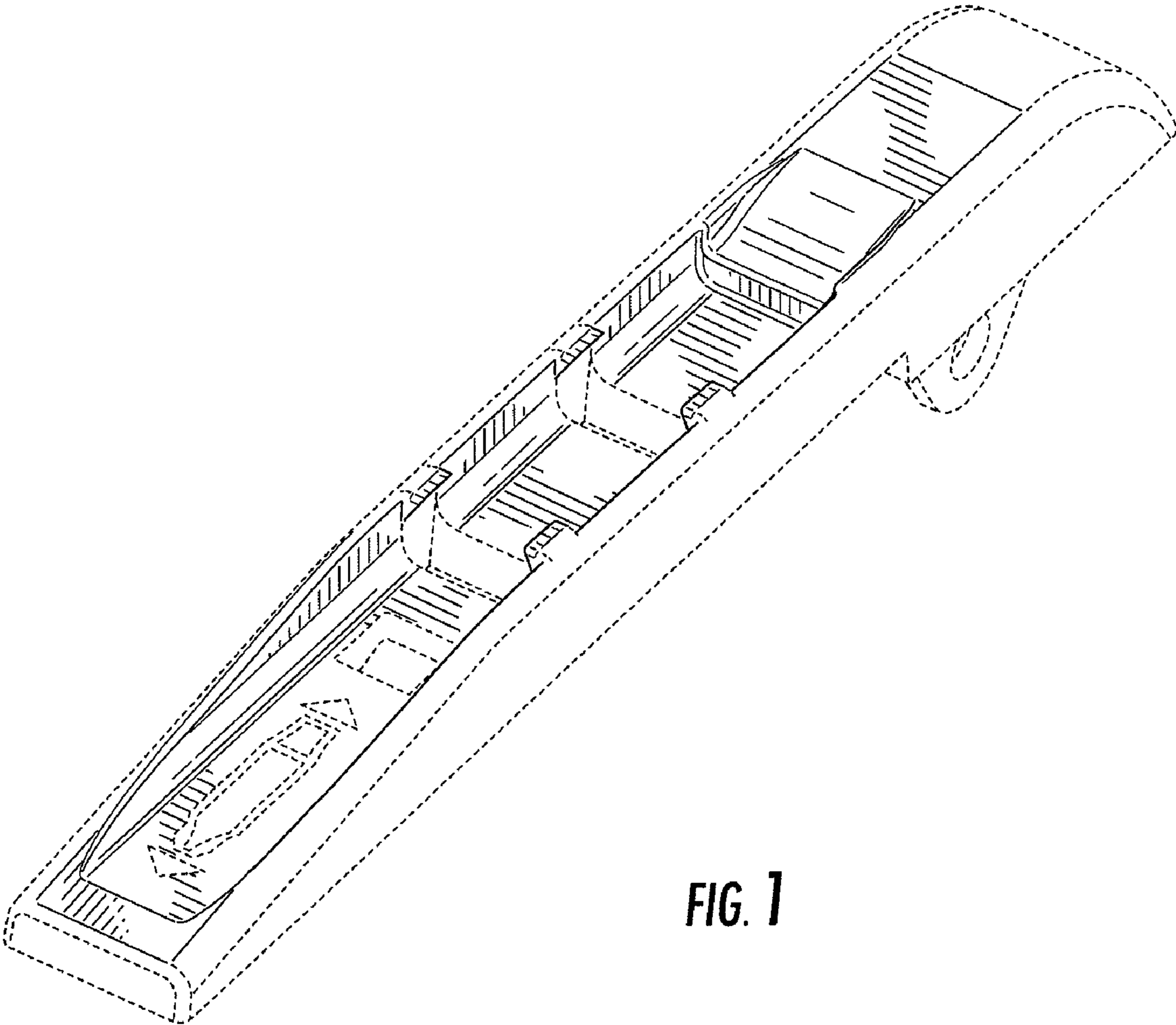
**U.S. PATENT DOCUMENTS**

2004/0181880 A1\* 9/2004 McIntosh et al. .... 7/129

2005/0177953 A1\* 8/2005 Phelps ..... 7/118

**1 Claim, 6 Drawing Sheets**





**FIG. 1**

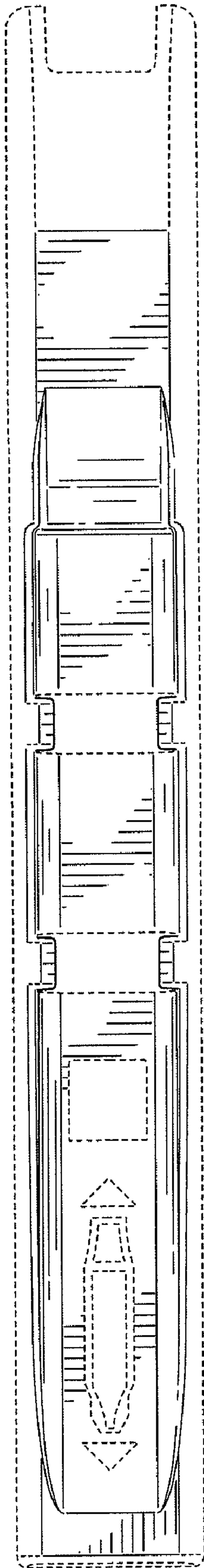


FIG. 2

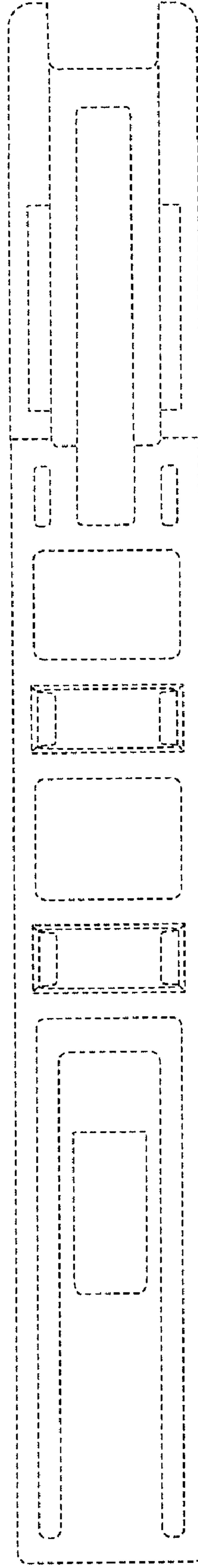


FIG. 3

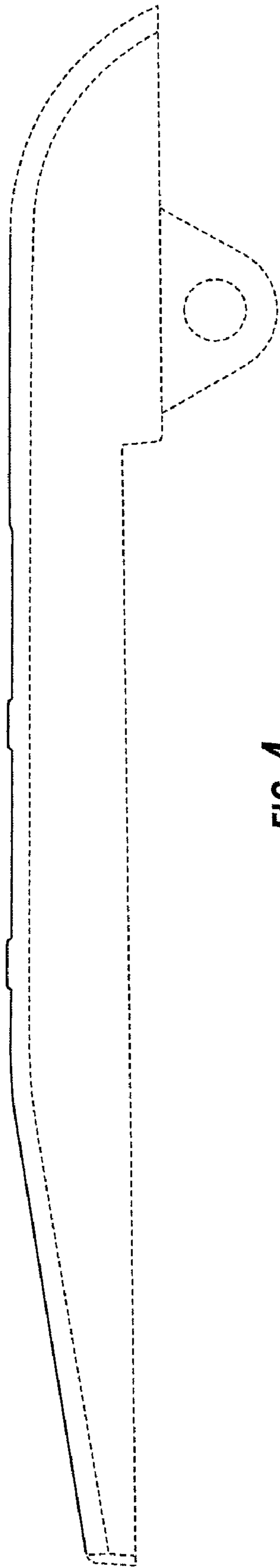


FIG. 4

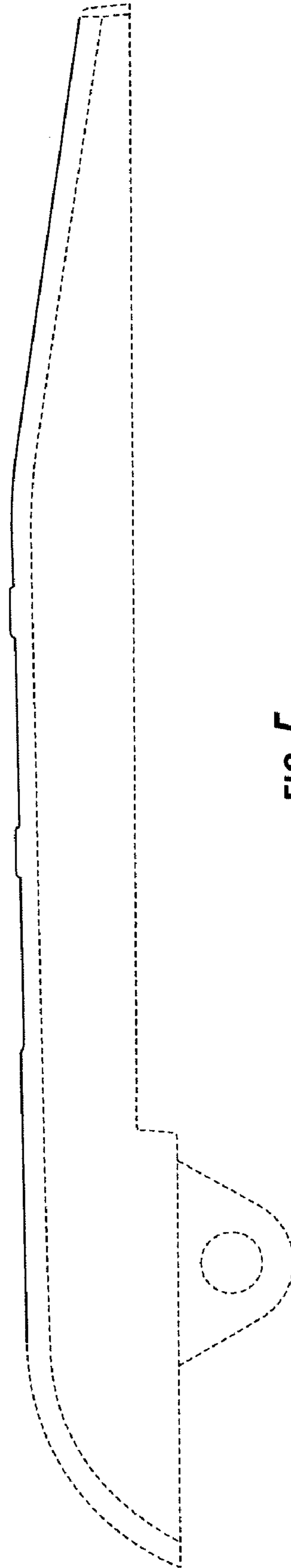
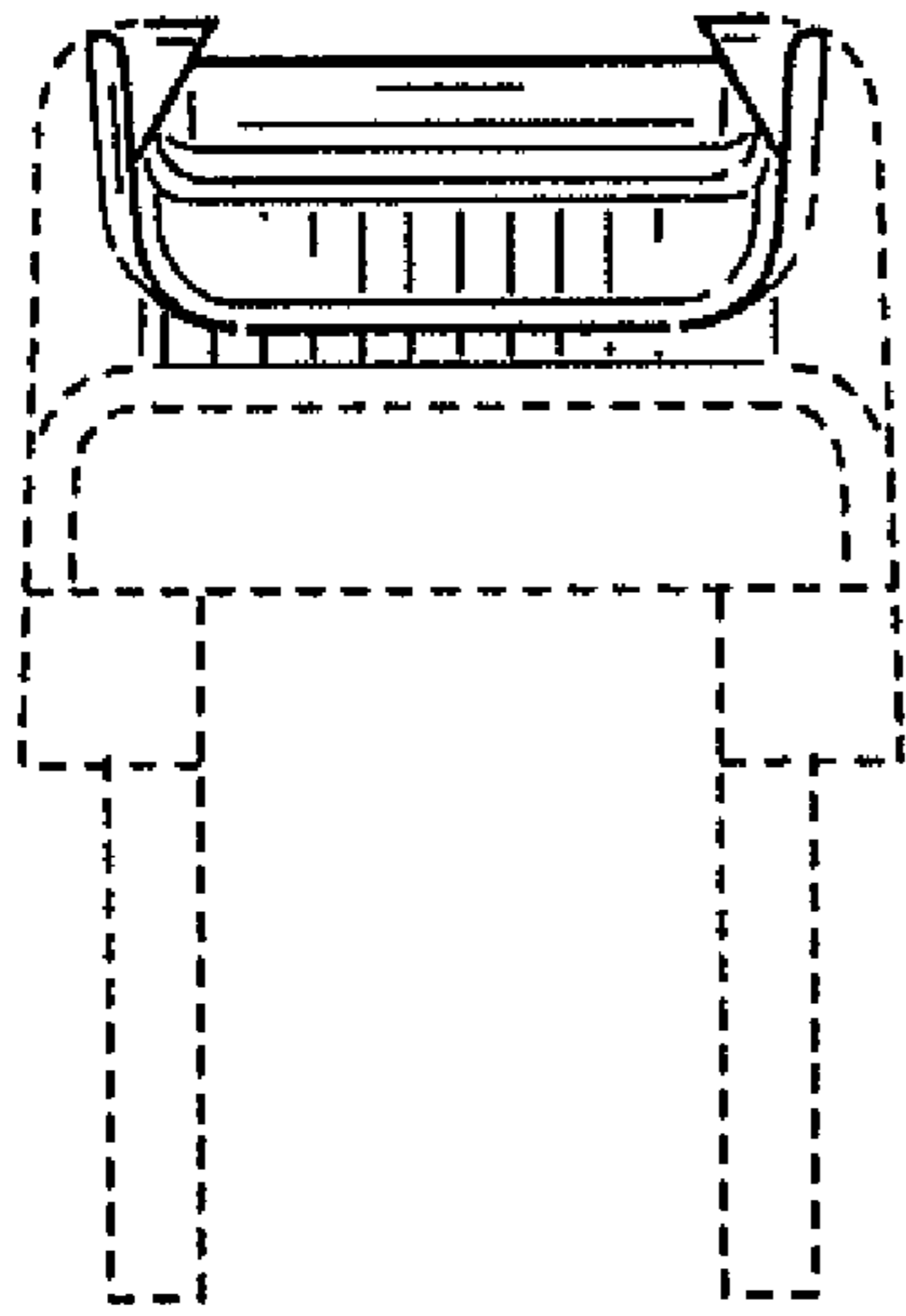
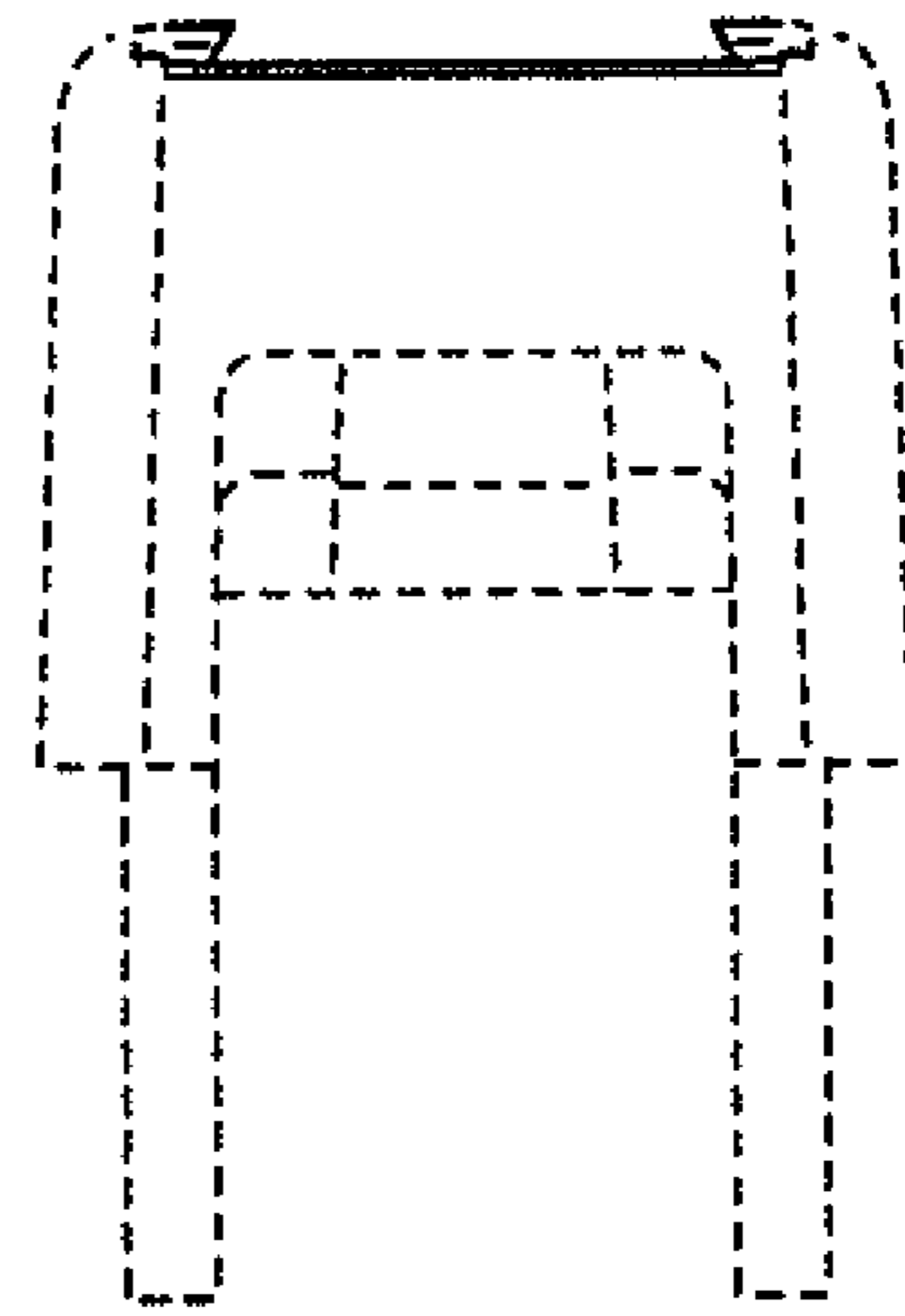


FIG. 5



**FIG. 6**



**FIG. 7**



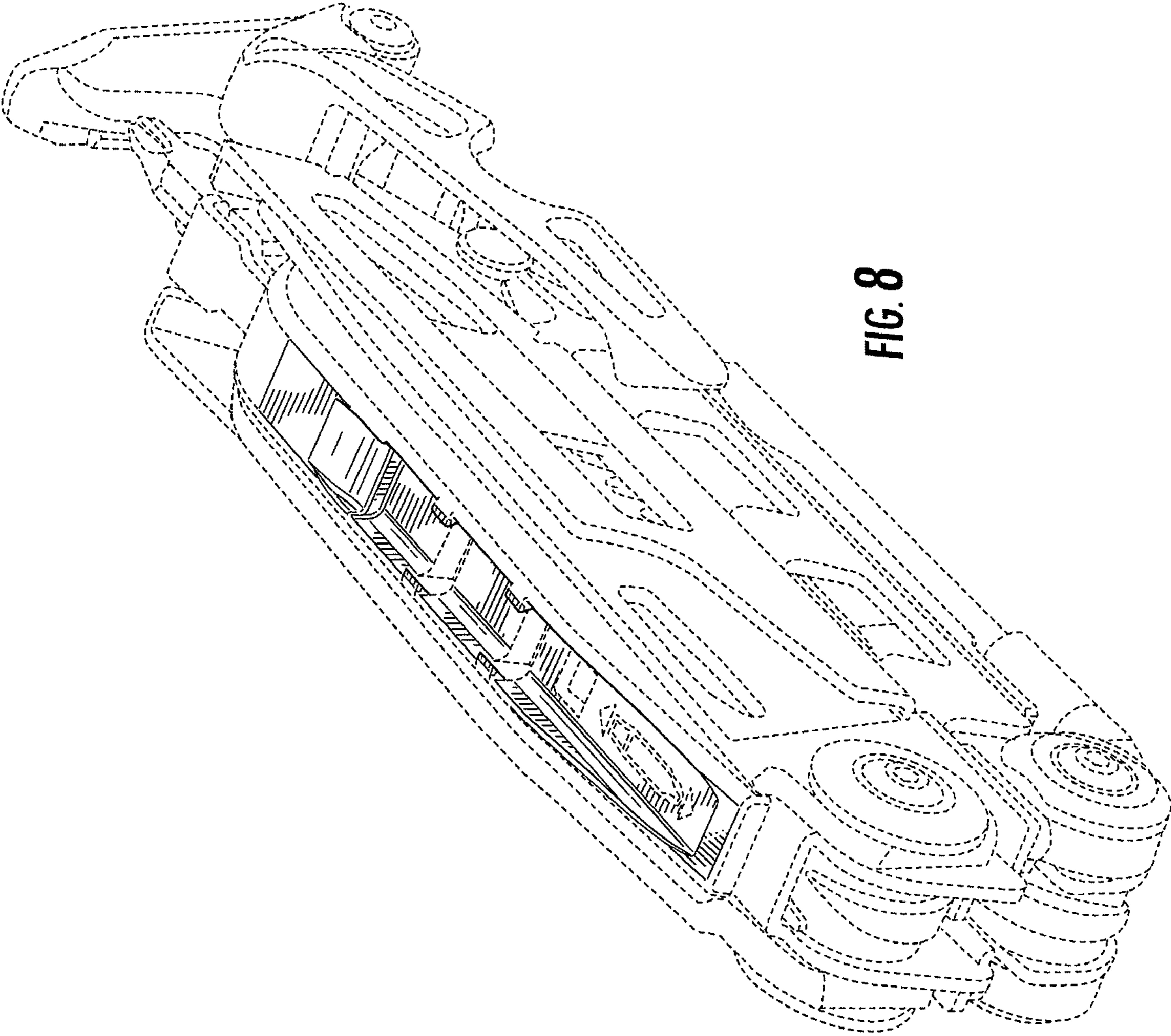


FIG. 8

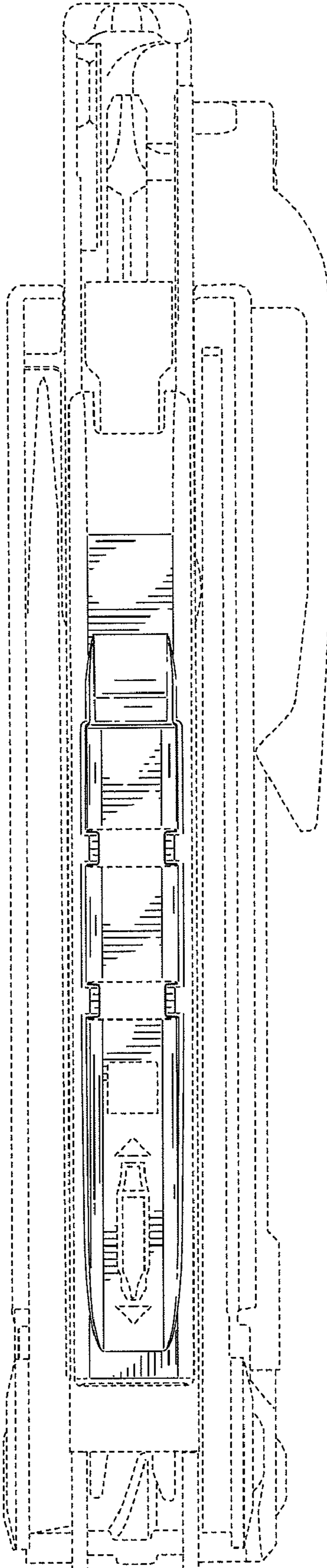


FIG. 9