



US00D623033S

(12) **United States Design Patent**  
**Trochum**

(10) **Patent No.:** **US D623,033 S**  
(45) **Date of Patent:** **\*\* Sep. 7, 2010**

(54) **GRINDER**

(75) Inventor: **Amy L. Trochum**, Clinton, NJ (US)

(73) Assignee: **Ingersoll-Rand Company**, Montvale, NJ (US)

(\*\*) Term: **14 Years**

(21) Appl. No.: **29/344,086**

(22) Filed: **Sep. 23, 2009**

(51) **LOC (9) Cl.** ..... **08-01**

(52) **U.S. Cl.** ..... **D8/62**

(58) **Field of Classification Search** ..... D32/15,  
D32/17, 19; D8/67, 62, 61; D4/102; 451/456,  
451/451, 359, 358, 357, 356, 355, 354, 353,  
451/351, 344; 310/50; 173/170; 200/50.32  
See application file for complete search history.

(56) **References Cited**

**U.S. PATENT DOCUMENTS**

1,164,764 A	12/1915	Skjervem	
1,913,669 A	6/1933	Heald	
3,529,498 A	9/1970	Northcutt	
4,245,528 A	1/1981	Hugh et al.	
4,300,413 A	11/1981	Garofalo	
4,406,183 A	9/1983	Wix	
4,445,404 A	5/1984	Parker	
4,480,510 A	11/1984	Aparicio, Jr. et al.	
4,766,784 A	8/1988	Lai	
4,891,915 A *	1/1990	Yasuda	451/359
4,919,022 A	4/1990	Ono et al.	
RE33,711 E	10/1991	Ono et al.	
5,237,885 A	8/1993	Putney et al.	
5,251,706 A	10/1993	Evans	
D341,530 S *	11/1993	Staubitz et al.	D8/61
5,309,796 A	5/1994	Jones	
D347,561 S *	6/1994	Huber et al.	D8/62
D350,886 S *	9/1994	Huber et al.	D8/62
5,535,646 A	7/1996	Allen et al.	
5,582,080 A	12/1996	Barmore	
5,622,089 A	4/1997	Gifford, Sr.	
5,636,698 A	6/1997	Estep et al.	
D380,950 S *	7/1997	Gildersleeve et al.	D8/62

5,896,789 A	4/1999	Giardino	
D416,112 S *	11/1999	Holliday et al.	D32/19
D427,498 S *	7/2000	Price et al.	D8/62
6,093,128 A	7/2000	Seith	
D440,848 S	4/2001	Izumisawa	
D442,839 S *	5/2001	Cieri et al.	D8/62
6,282,990 B1	9/2001	Miner	
D449,212 S	10/2001	Price et al.	
6,311,583 B1	11/2001	Izumisawa	
D464,547 S *	10/2002	Bass et al.	D8/62
6,490,953 B2	12/2002	Horvath	
D468,607 S	1/2003	Price et al.	
6,578,643 B2	6/2003	Izumisawa	
6,640,669 B2	11/2003	Izumisawa	

(Continued)

**OTHER PUBLICATIONS**

Ingersoll Rand, photos of tools, Ingersoll Rand—107, Matco—1848, Snap on—FAR7200, Mac-AR154, Chicago Pneumatic—828, at least as early as Nov. 6, 2007.

*Primary Examiner*—Austin Murphy

(74) *Attorney, Agent, or Firm*—Michael Best & Friedrich LLP

(57) **CLAIM**

I claim the ornamental design for a grinder, as shown and described.

**DESCRIPTION**

FIG. 1 is a perspective view of the grinder.

FIG. 2 is a left side view thereof;

FIG. 3 is a right side view thereof;

FIG. 4 is a top view thereof;

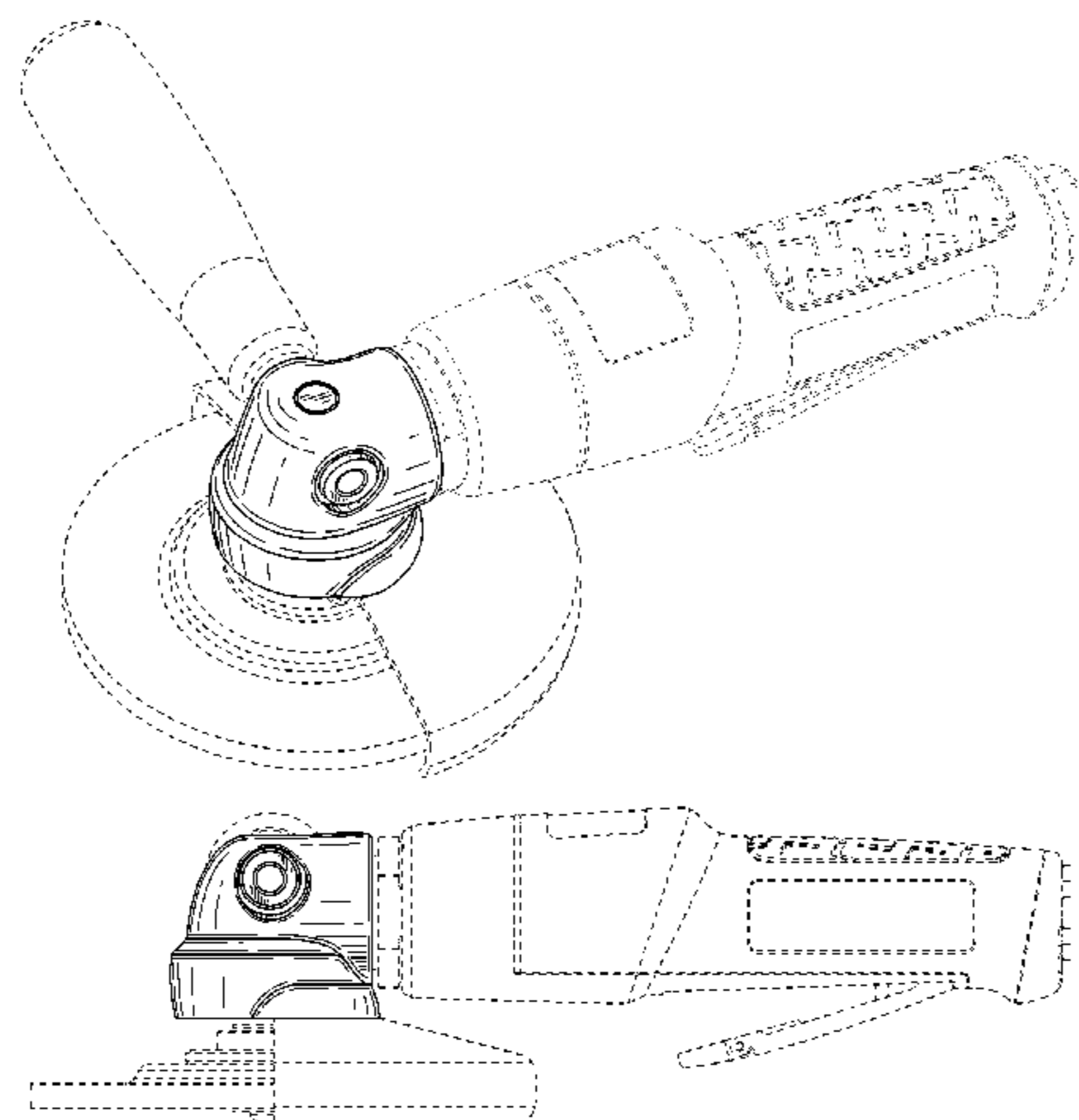
FIG. 5 is a bottom view thereof;

FIG. 6 is a front view thereof; and,

FIG. 7 is a rear view thereof.

The broken lines shown in the drawings represent unclaimed portions of the grinder and form no part of the claimed design.

**1 Claim, 6 Drawing Sheets**



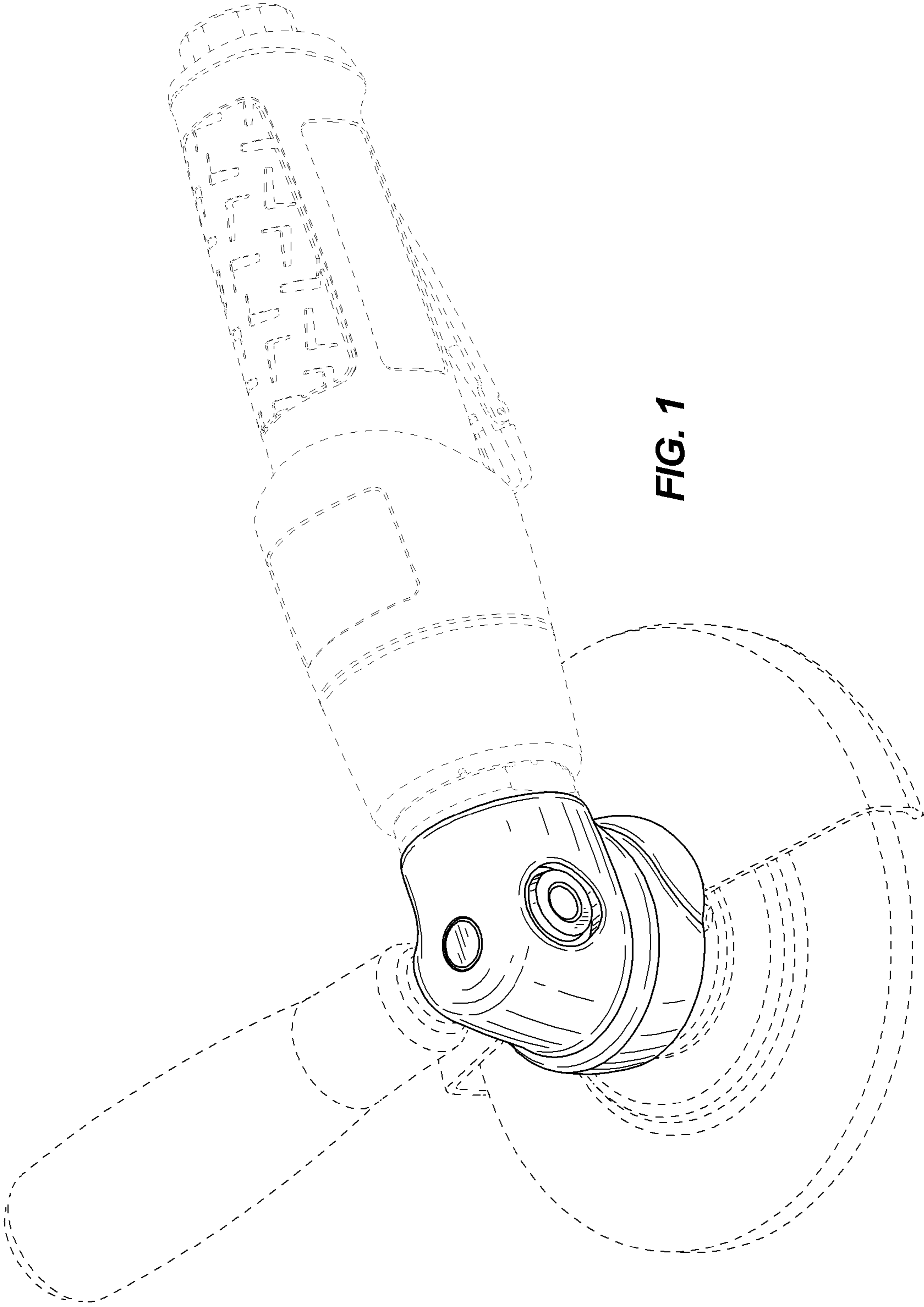
# US D623,033 S

Page 2

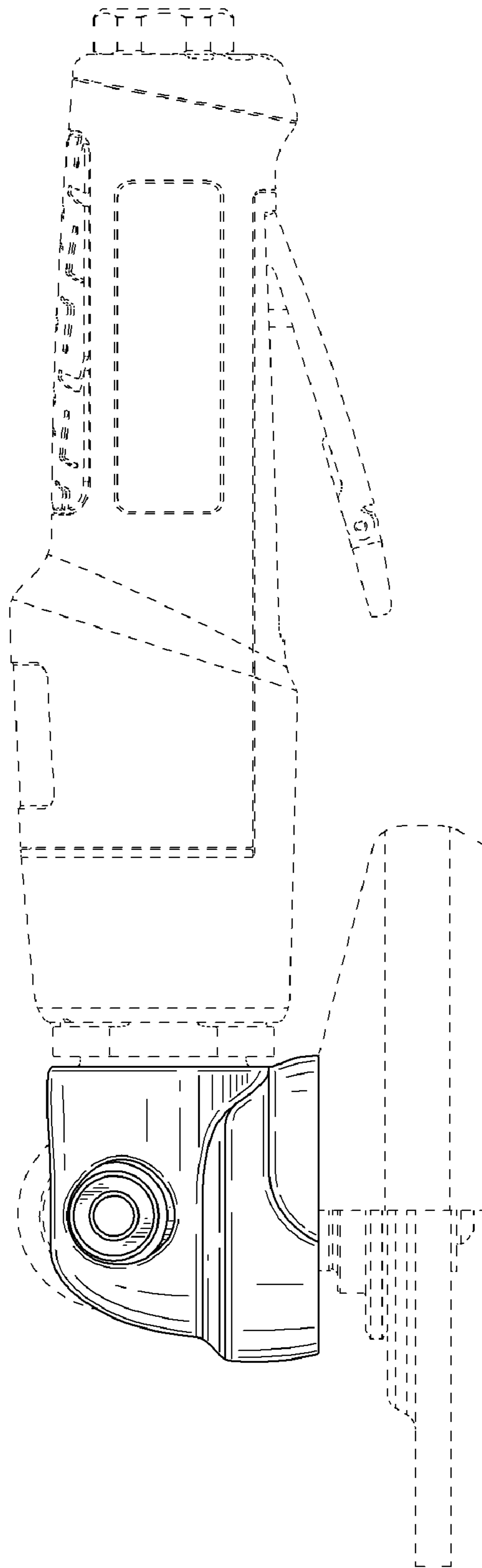
## U.S. PATENT DOCUMENTS

D496,568 S	9/2004	Izumisawa		D527,593 S	9/2006	Price et al.	
6,789,448 B2	9/2004	Ono et al.		D527,594 S *	9/2006	Wikle .....	D8/62
6,860,174 B2	3/2005	Kusama		7,121,167 B1	10/2006	Miner	
6,915,721 B2	7/2005	Hsu et al.		D535,535 S	1/2007	Baker	
6,923,095 B2	8/2005	Horvath		D554,460 S	11/2007	Enriquez	
D513,692 S *	1/2006	Baker et al. ....	D8/70	D570,116 S *	6/2008	Evans .....	D4/102
D519,799 S	5/2006	Izumisawa		D576,460 S	9/2008	Price et al.	
D521,824 S	5/2006	Albertson et al.		D578,852 S	10/2008	Enriquez	
7,059,217 B2	6/2006	Horvath		D580,248 S	11/2008	Rane et al.	
D524,617 S	7/2006	Schiller et al.		D587,080 S	2/2009	Rane et al.	
D525,501 S	7/2006	Chen		D587,978 S *	3/2009	Aglassinger .....	D8/70
D526,870 S *	8/2006	Wikle .....	D8/62	D592,480 S *	5/2009	Sun et al. ....	D8/70
D526,871 S *	8/2006	Andriolo .....	D8/62	2005/0048884 A1 *	3/2005	Baker .....	451/358
				2005/0211026 A1	9/2005	Cheng	

\* cited by examiner



**FIG. 1**



**FIG. 2**

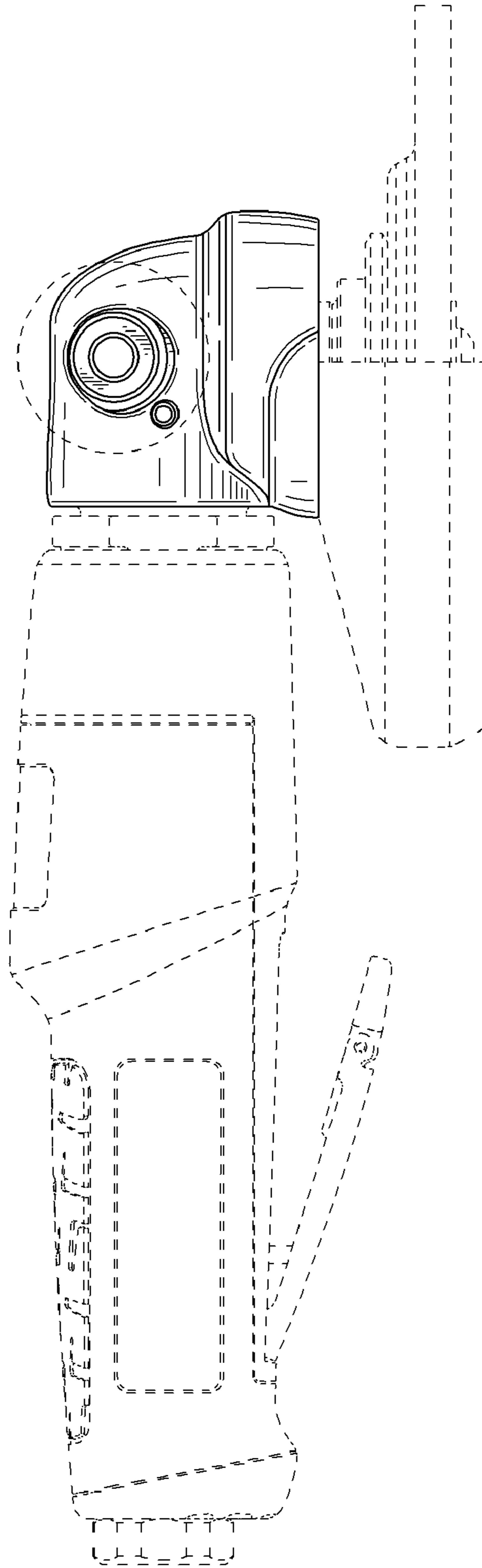
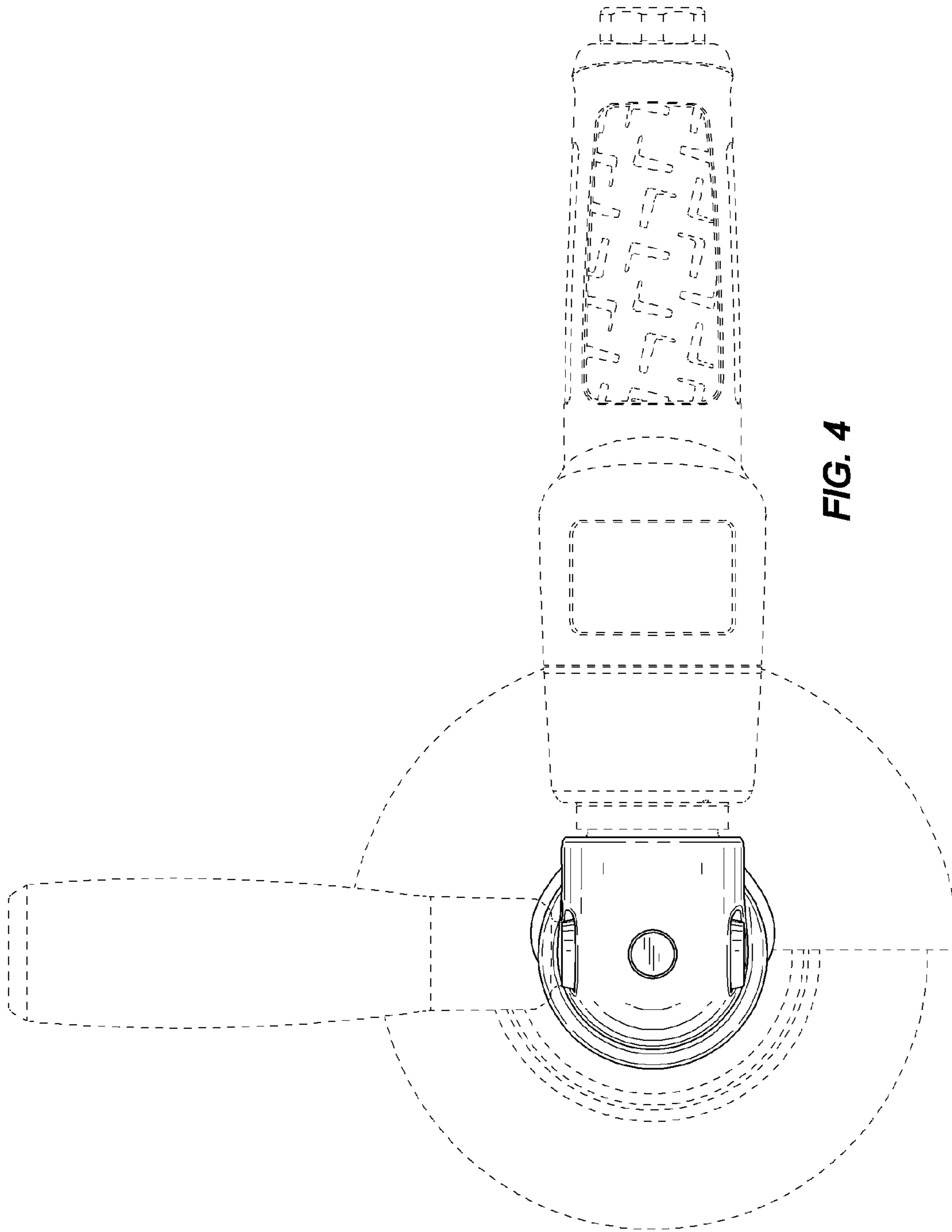


FIG. 3



**FIG. 4**

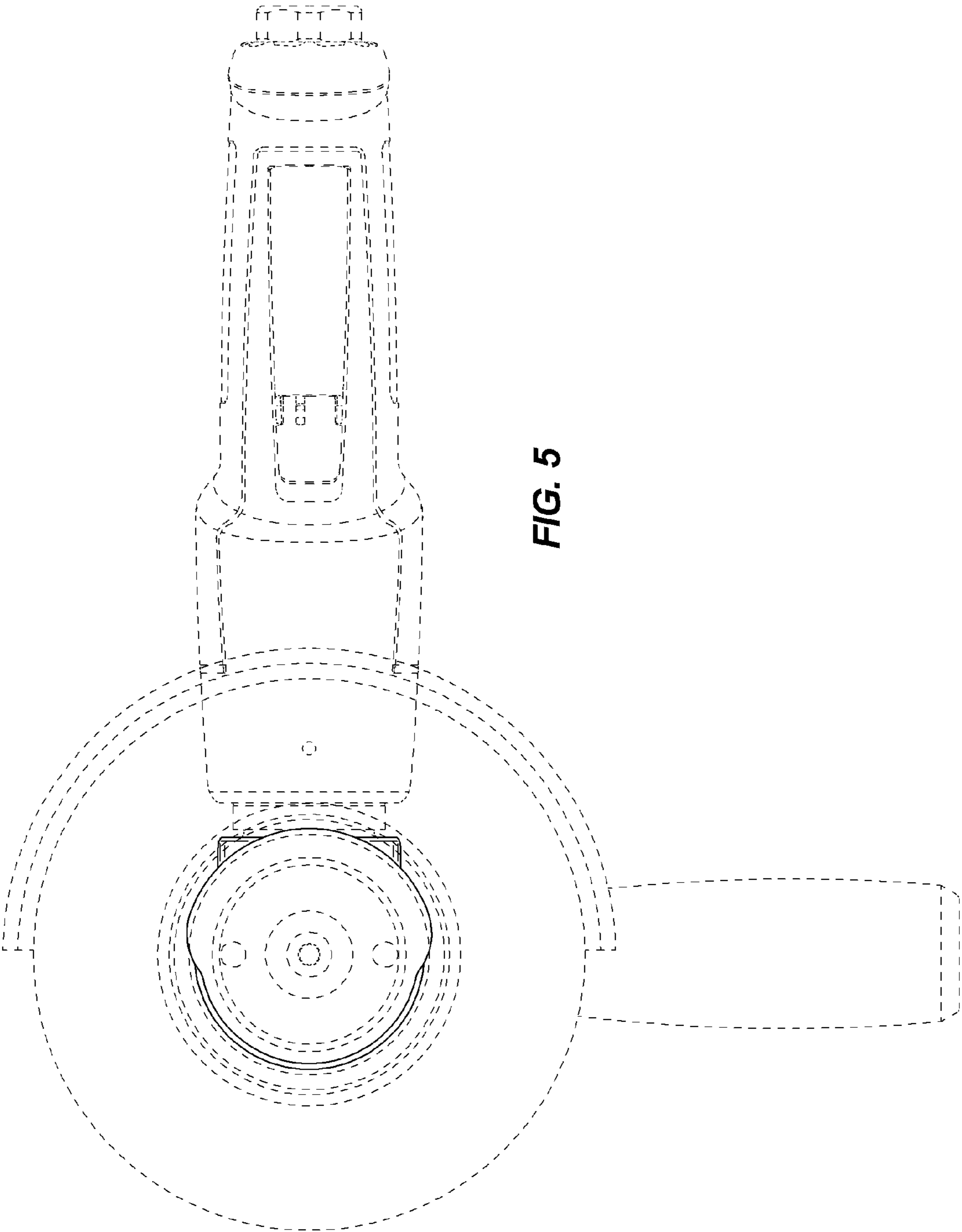
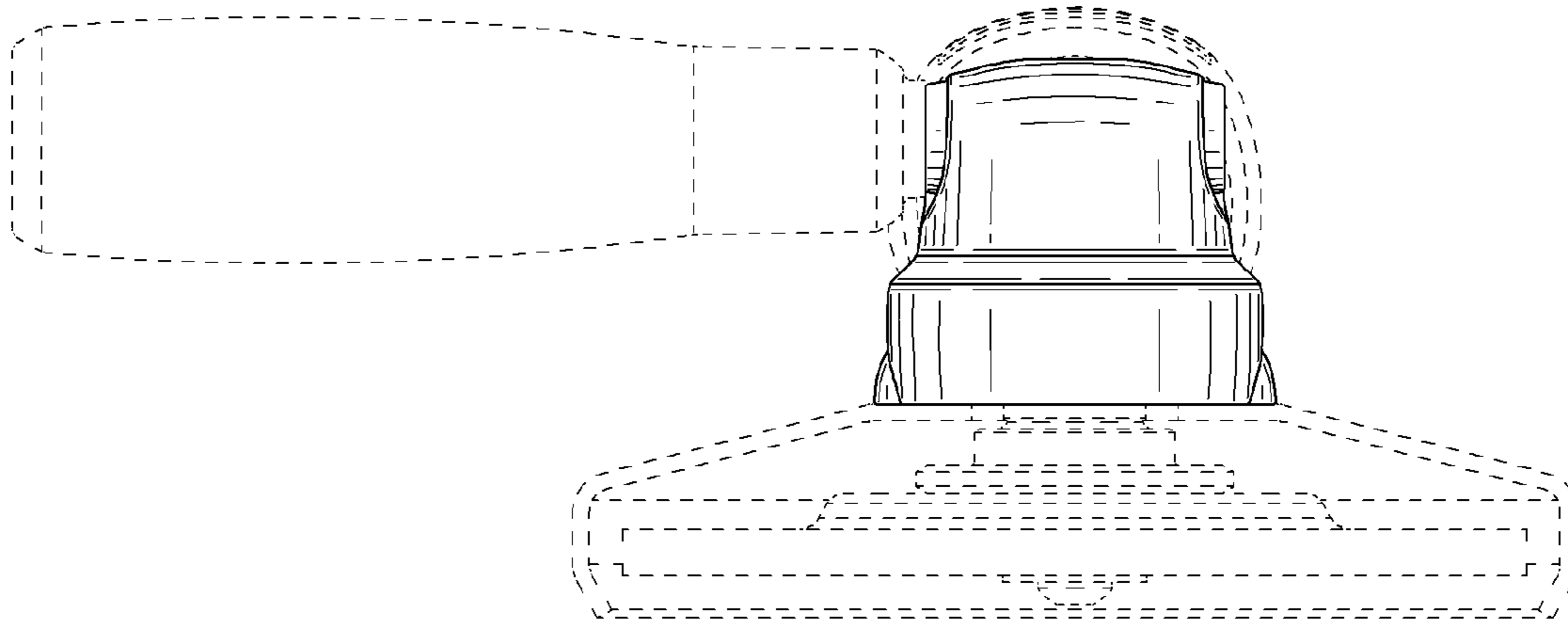
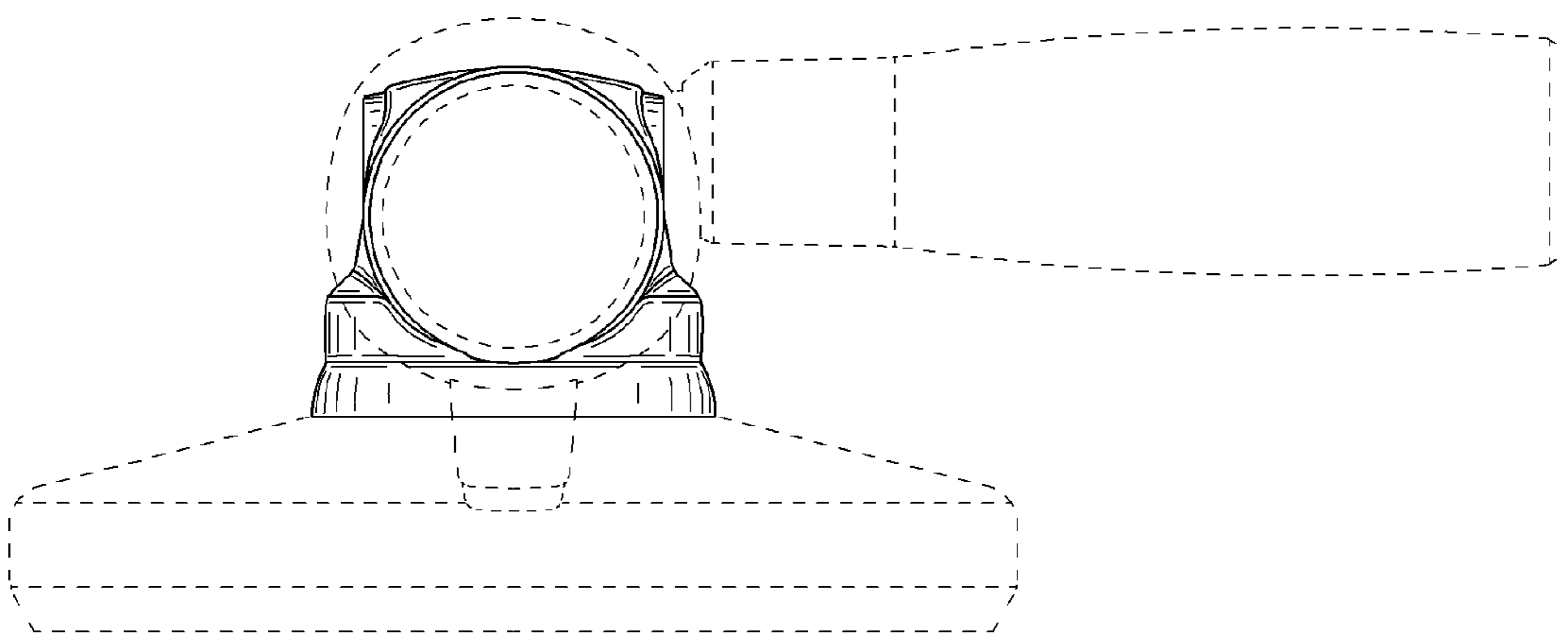


FIG. 5



**FIG. 6**



**FIG. 7**