



US00D623031S

(12) **United States Design Patent**
Johnson et al.

(10) **Patent No.:** **US D623,031 S**

(45) **Date of Patent:** **** Sep. 7, 2010**

(54) **DUAL PURPOSE FLIP-OUT AND T HANDLE WRENCH**

D603,234 S * 11/2009 Lin D8/25
D613,568 S * 4/2010 Yu D8/25
2002/0104410 A1 * 8/2002 Wang 81/177.1

(75) Inventors: **Ronald L. Johnson**, San Jose, CA (US);
Yugen Patrick Lockhart, Palo Alto, CA (US)

* cited by examiner

(73) Assignee: **Wagic, Inc.**, Los Gatos, CA (US)

Primary Examiner—Raphael Barkai
Assistant Examiner—Randall H Gholson
(74) *Attorney, Agent, or Firm*—Haverstock & Owens LLP

(**) Term: **14 Years**

(21) Appl. No.: **29/344,840**

(57) **CLAIM**

(22) Filed: **Oct. 5, 2009**

We claim the ornamental design for a dual purpose flip-out and T handle wrench, as shown and described.

(51) **LOC (9) Cl.** **08-05**

DESCRIPTION

(52) **U.S. Cl.** **D8/25**

(58) **Field of Classification Search** D8/17,
D8/21–29, 354, 107; 81/60, 177.1, 177.85,
81/121.1, 124.3, 165–170, 110.1, 176.2,
81/124.6, 176.1, 176.15, 177.2, 186; 16/110.1;
D15/144.1, 143; 219/75, 227, 229, 121.16,
219/121.18

FIG. 1 is a front view of the handle;
FIG. 2 is a back view of the handle;
FIG. 3 is a left side view of the handle;
FIG. 4 is a right side view of the handle;
FIG. 5 is a bottom view of the handle;
FIG. 6 is a top view of the handle;
FIG. 7 is a perspective view of the handle in a flip-out configuration; and,
FIG. 8 is a perspective view of the handle in a T configuration.

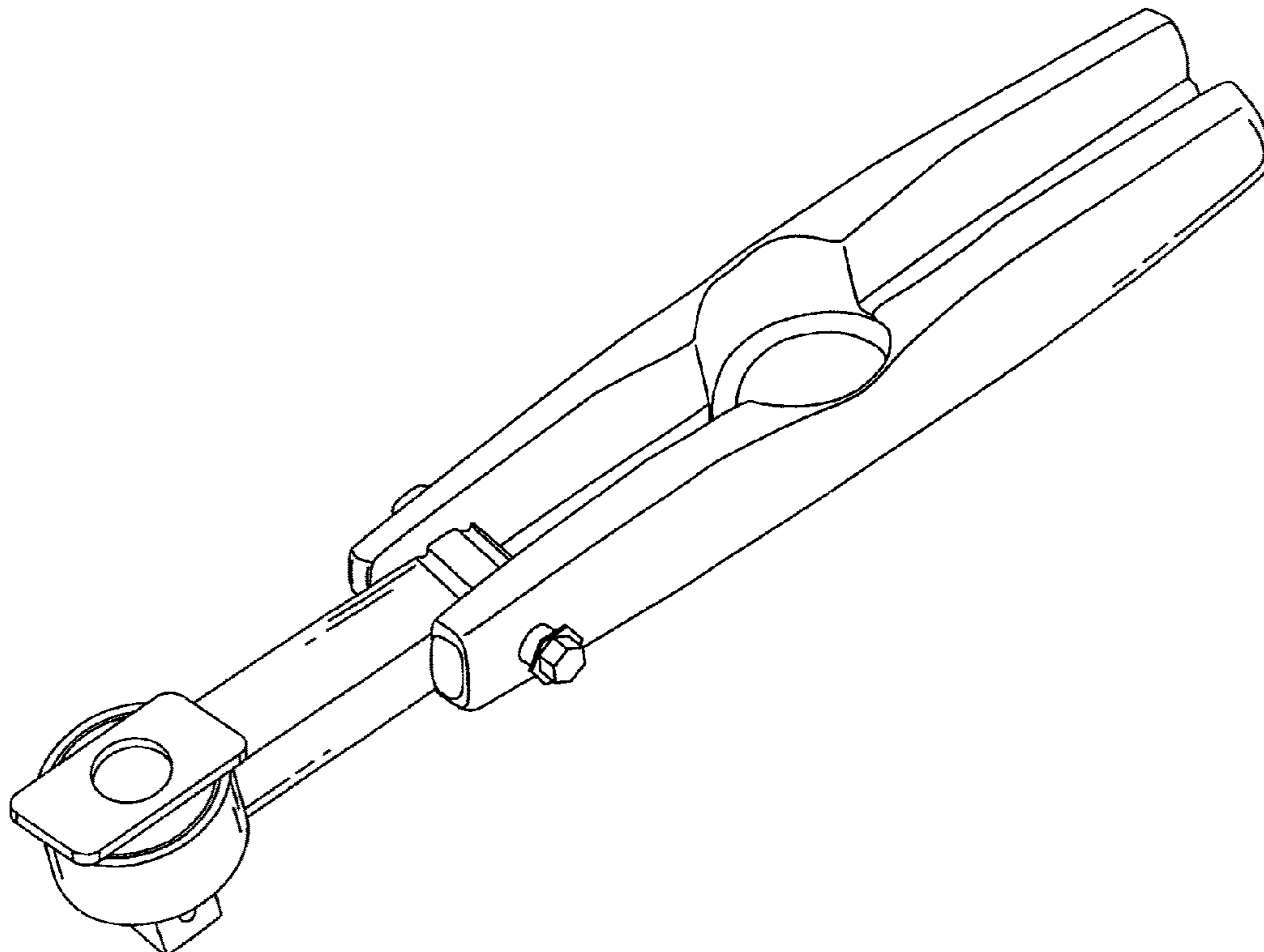
See application file for complete search history.

(56) **References Cited**

U.S. PATENT DOCUMENTS

1,890,213 A * 12/1932 Cameron et al. 140/119
D576,457 S * 9/2008 Chen D8/27

1 Claim, 5 Drawing Sheets



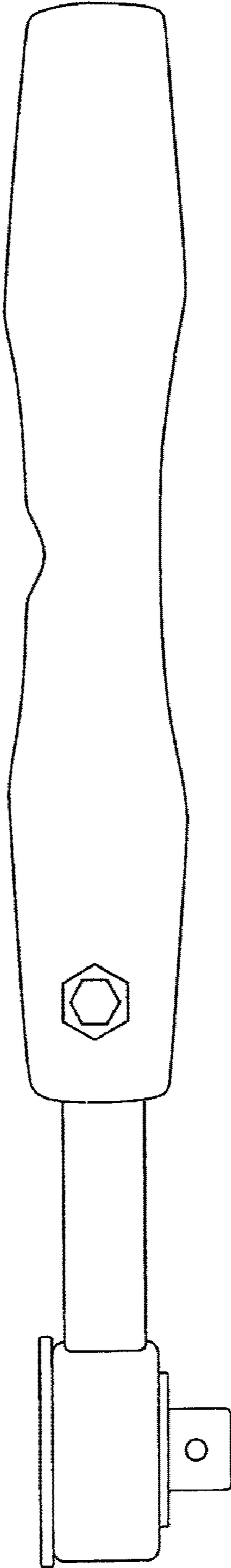


Fig. 1

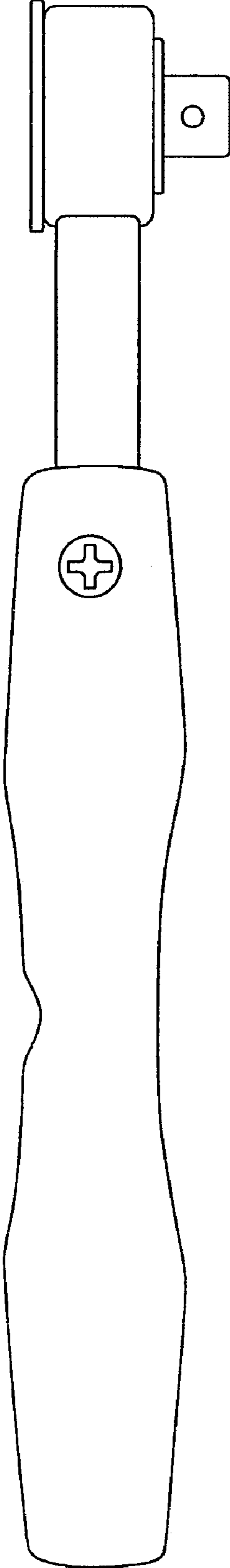


Fig. 2

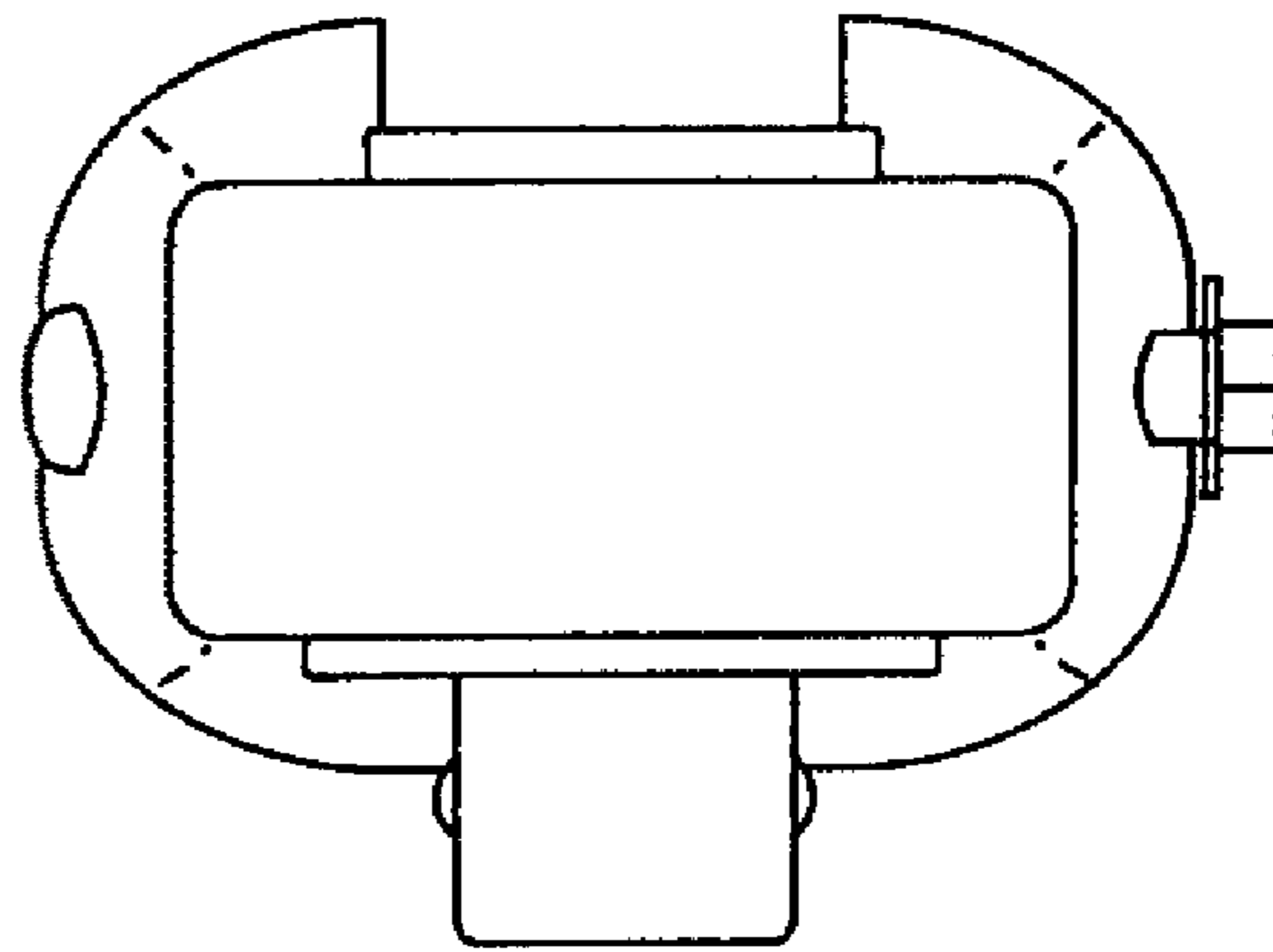


Fig. 3

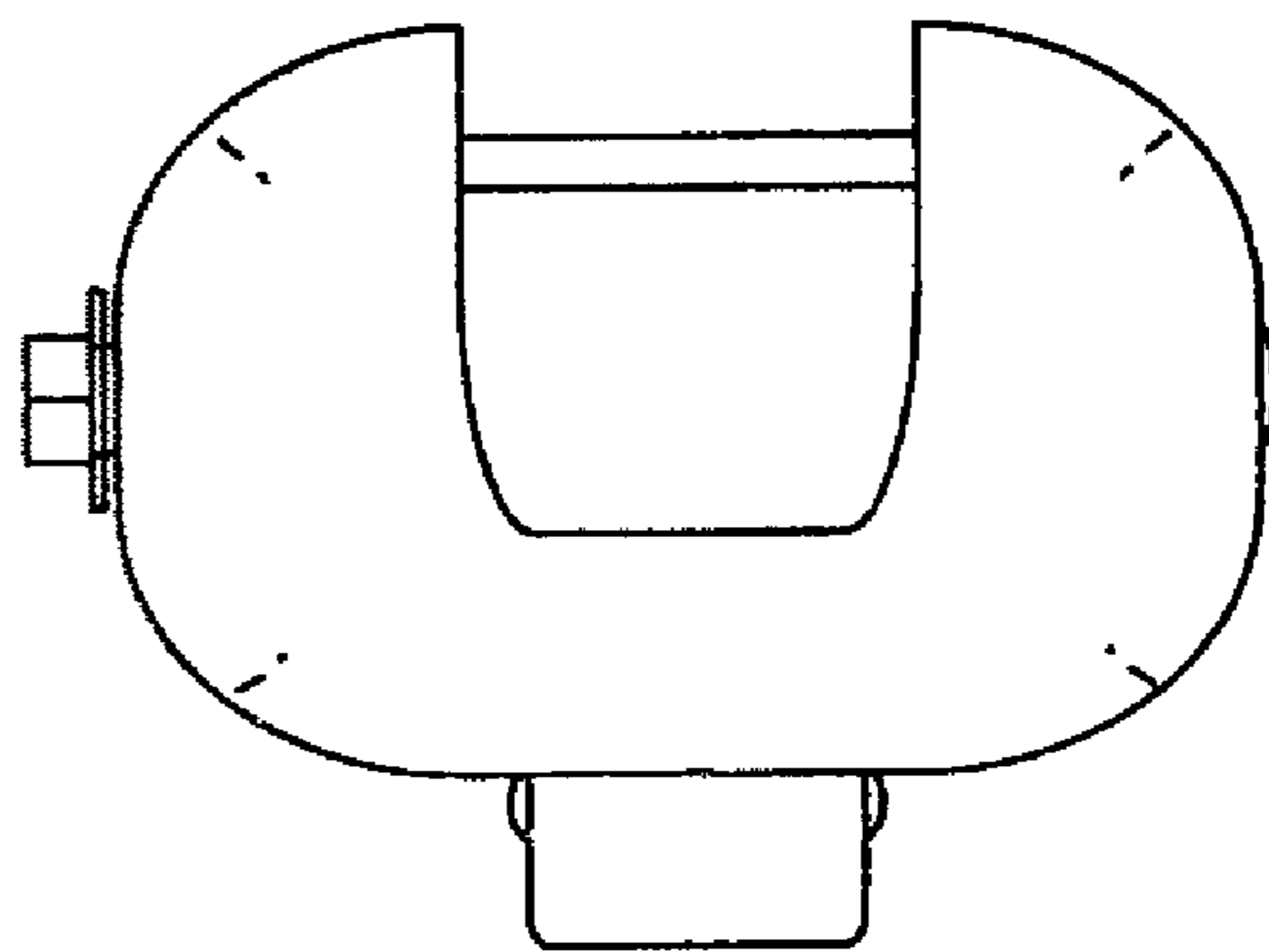


Fig. 4

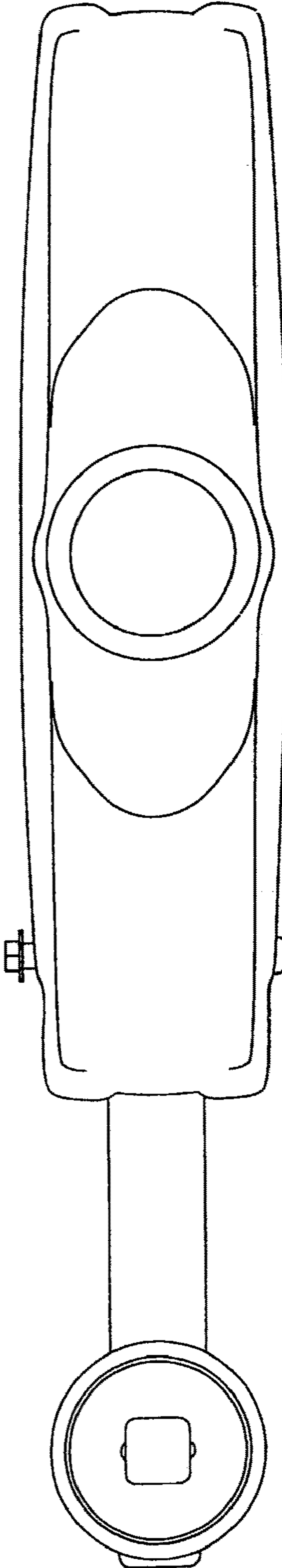


Fig. 5

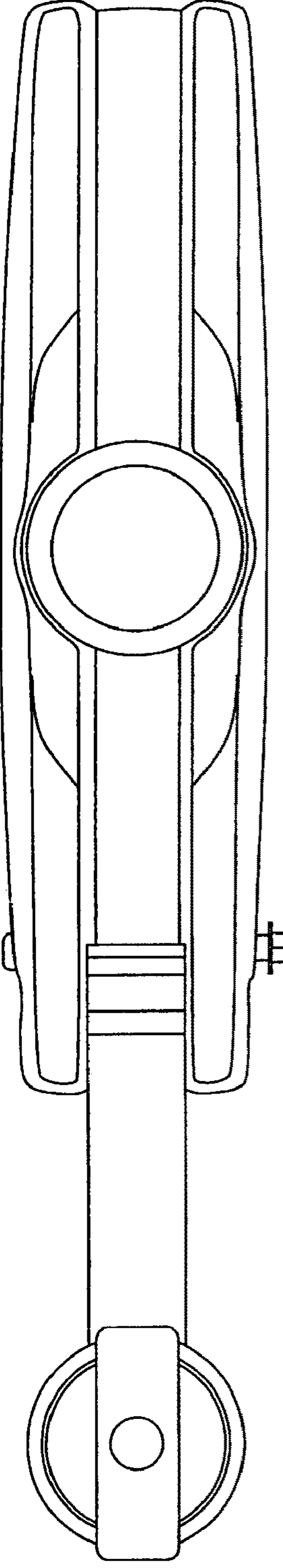


Fig. 6

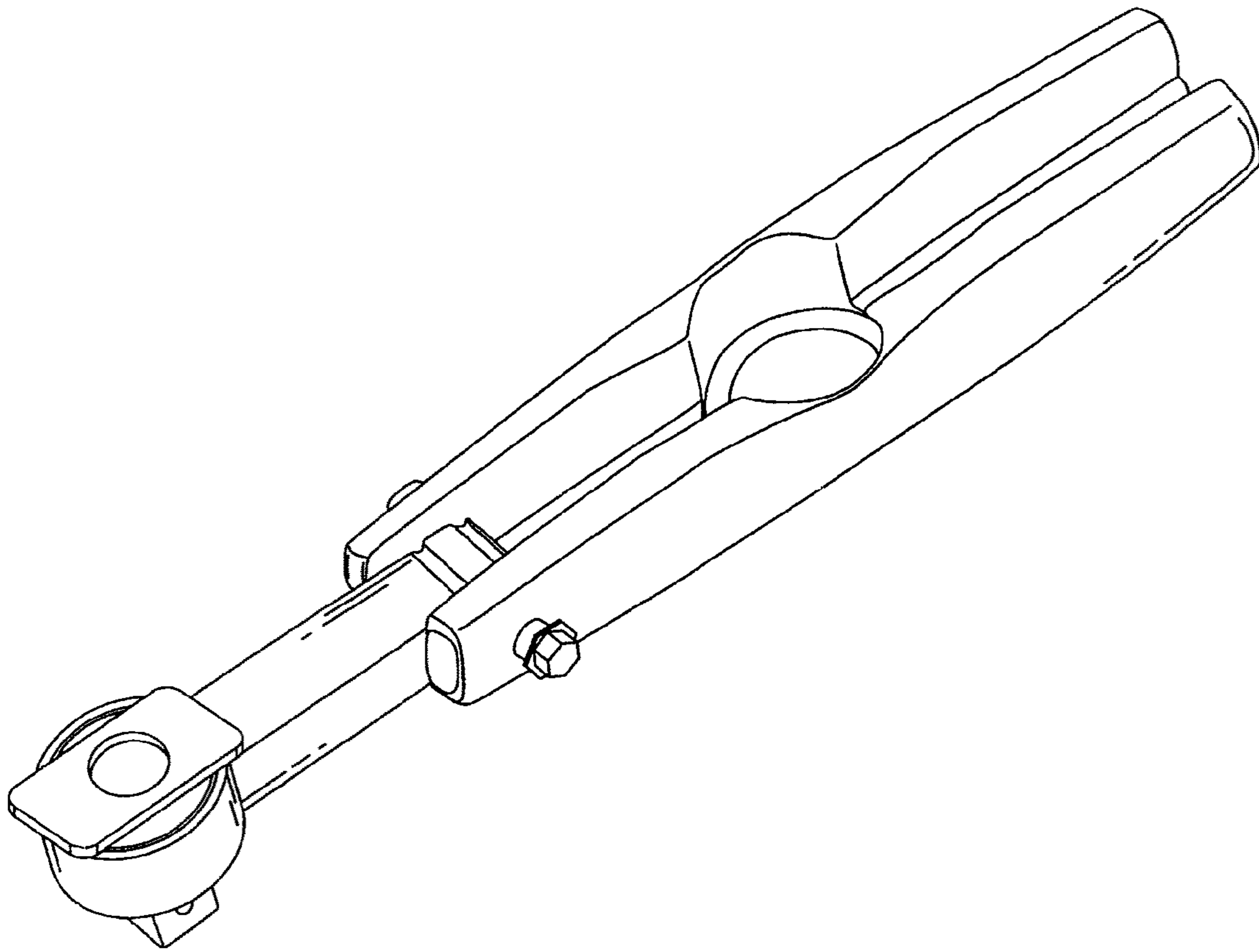


Fig. 7

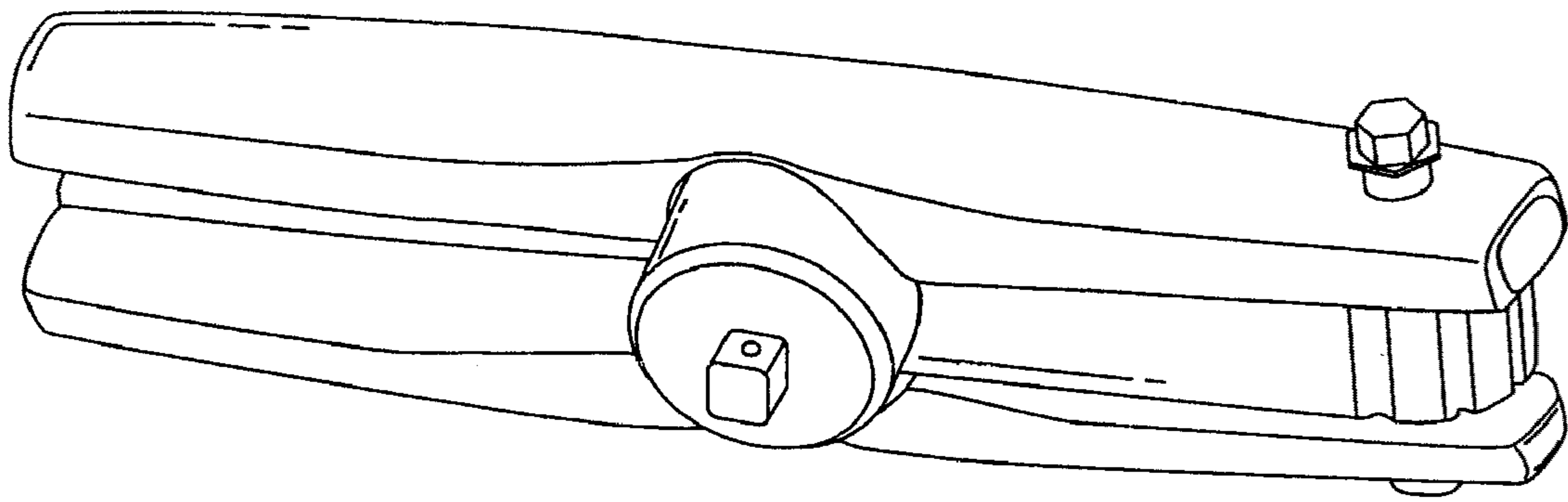


Fig. 8