



US00D623029S

(12) **United States Design Patent**
Russell, II et al.

(10) **Patent No.:** **US D623,029 S**
(45) **Date of Patent:** **** Sep. 7, 2010**

(54) **SANITIZING CUTTING BOARD**

(75) Inventors: **Hobert E. Russell, II**, Walnut Creek, CA (US); **Joshua S. Fulcher**, Concord, CA (US)

(73) Assignee: **Pilgrim Home and Hearth**, Benicia, CA (US)

(**) Term: **14 Years**

(21) Appl. No.: **29/354,533**

(22) Filed: **Jan. 26, 2010**

(51) **LOC (9) Cl.** **07-04**

(52) **U.S. Cl.** **D7/698**

(58) **Field of Classification Search** D7/388-389, D7/409, 505, 544, 552.2, 553.5, 553.8, 554.2, D7/555, 567, 587, 624.1, 637-638, 667, 673, D7/696, 698-699; 83/42, 762-764; 269/13-16, 269/54.5, 289 R, 291-292, 297-298, 302.1; 428/21, 95, 107-108; 452/16

See application file for complete search history.

(56) **References Cited**

U.S. PATENT DOCUMENTS

2,398,192	A *	4/1946	Scheminger, Jr.	83/762
3,583,026	A *	6/1971	Peoni	452/16
3,971,273	A *	7/1976	Peters et al.	83/42
4,085,642	A *	4/1978	Birmingham	83/764
D315,275	S *	3/1991	Aziz et al.	D7/673

D348,591	S *	7/1994	Willis	D7/698
D362,374	S *	9/1995	Roach	D7/673
5,653,154	A *	8/1997	Liu et al.	83/762

* cited by examiner

Primary Examiner—Caron Veynar

Assistant Examiner—Ricky Pham

(74) *Attorney, Agent, or Firm*—Paul M. Thompson; Cochran Freund & Young LLC

(57) **CLAIM**

The ornamental design for a sanitizing cutting board, as shown and described.

DESCRIPTION

FIG. 1 is an isometric view of a sanitizing cutting board showing our new design.

FIG. 2 is a front elevation view thereof.

FIG. 3 is a rear elevation view thereof.

FIG. 4 is a right side elevation view thereof.

FIG. 5 is a left side elevation view thereof.

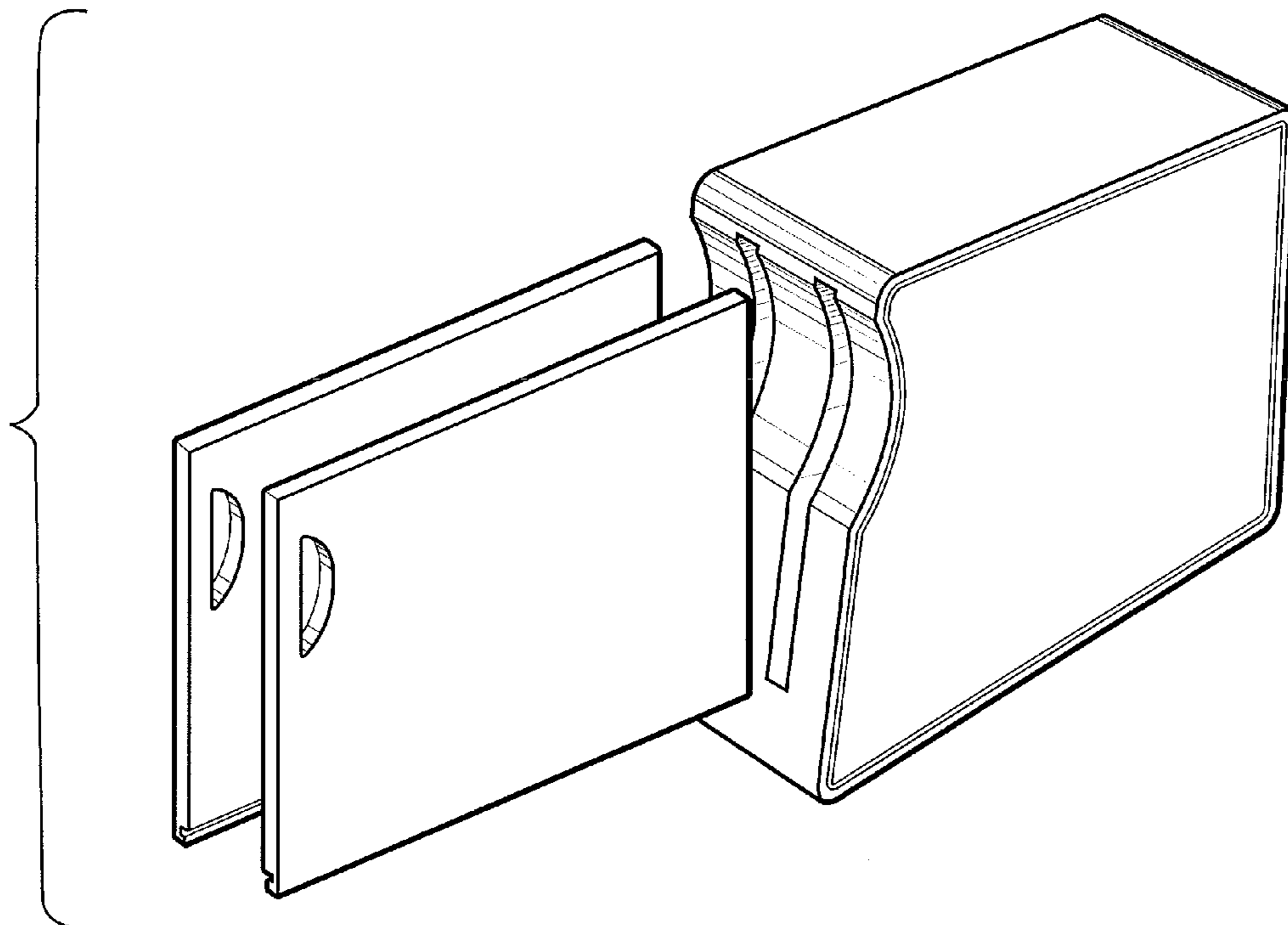
FIG. 6 is a top plan view thereof.

FIG. 7 is a bottom plan view thereof; and,

FIG. 8 is an exploded isometric view thereof.

The broken line showing is included for illustrative purposes only and forms no part of the claimed design.

1 Claim, 6 Drawing Sheets



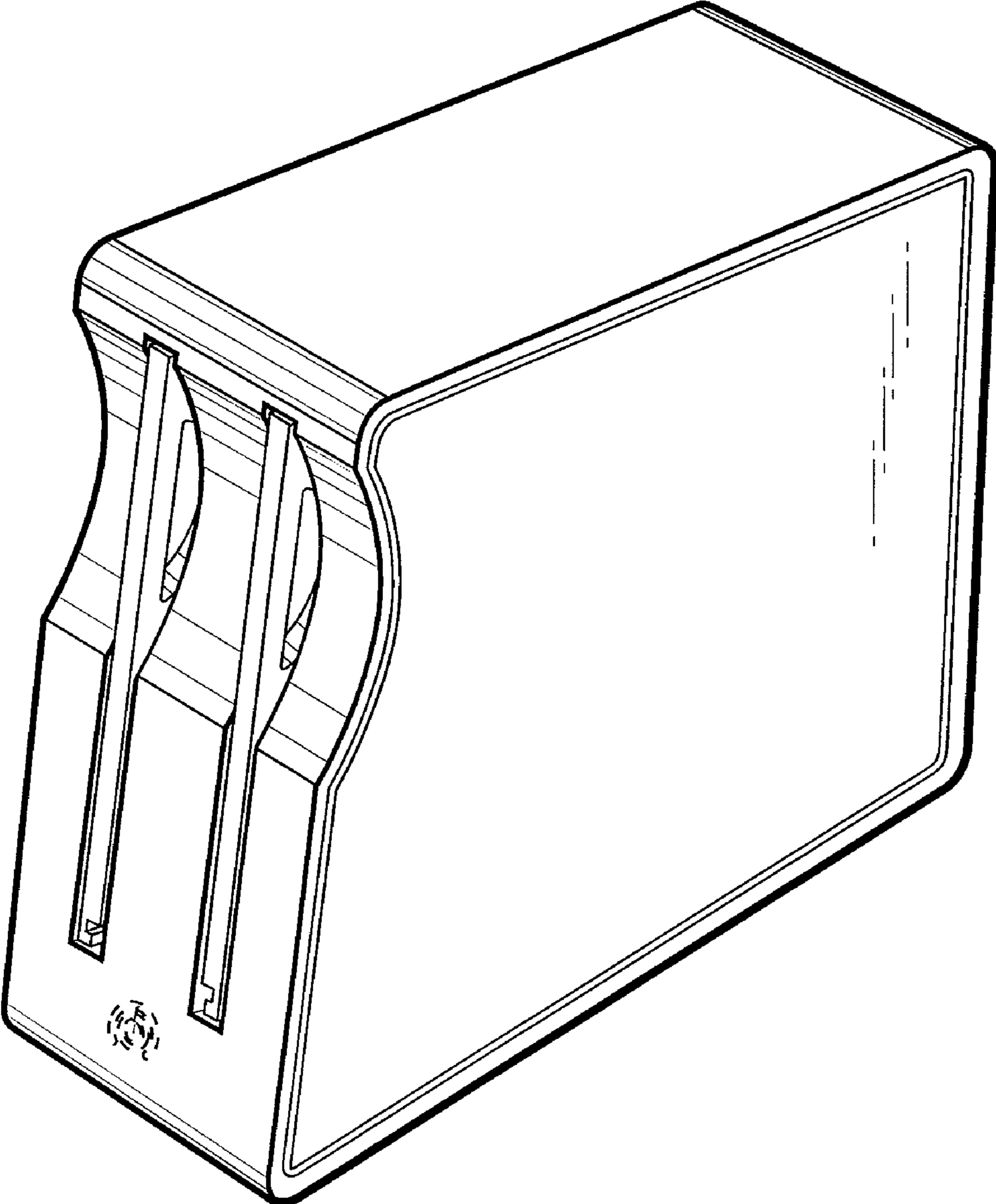


FIG. 1

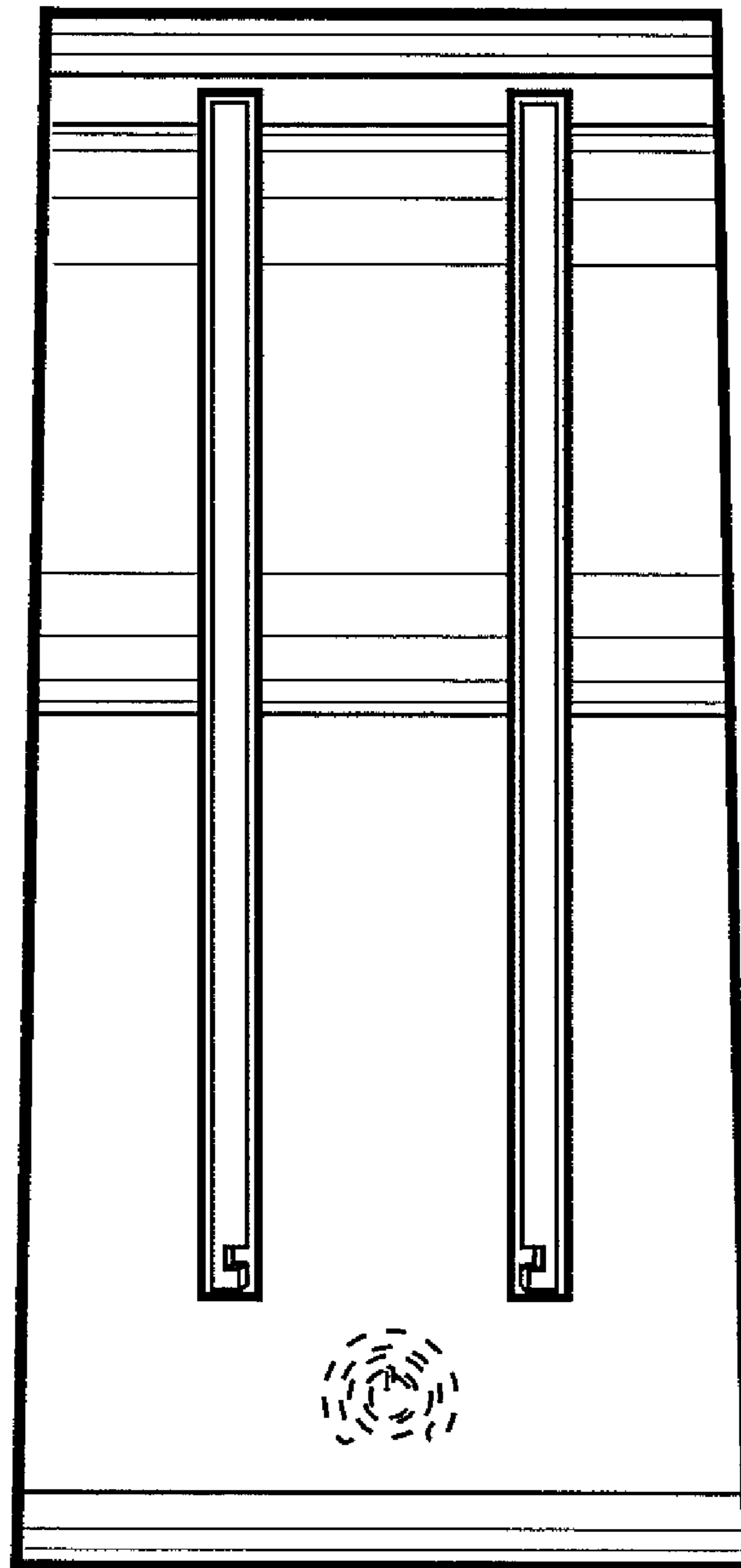


FIG. 2

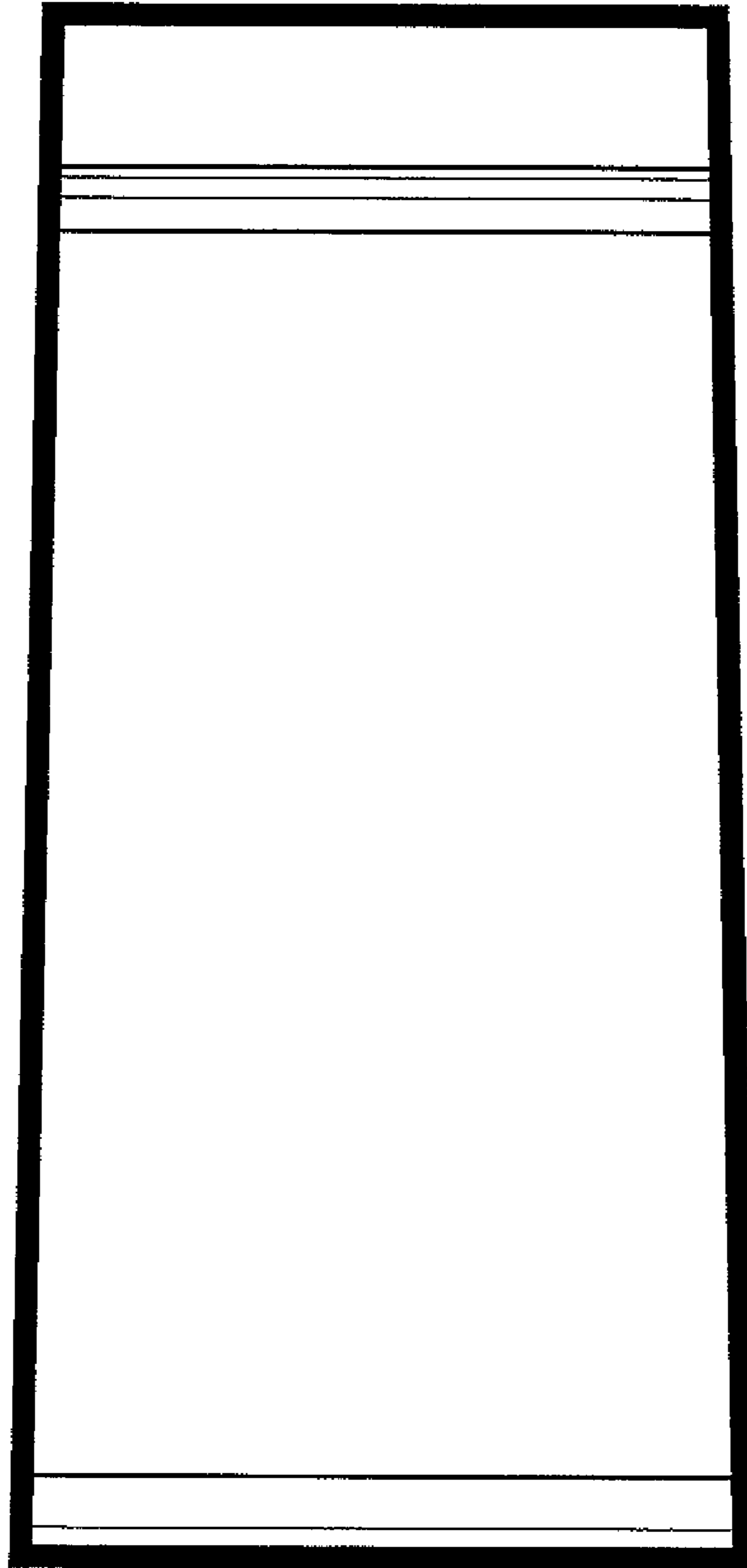


FIG. 3

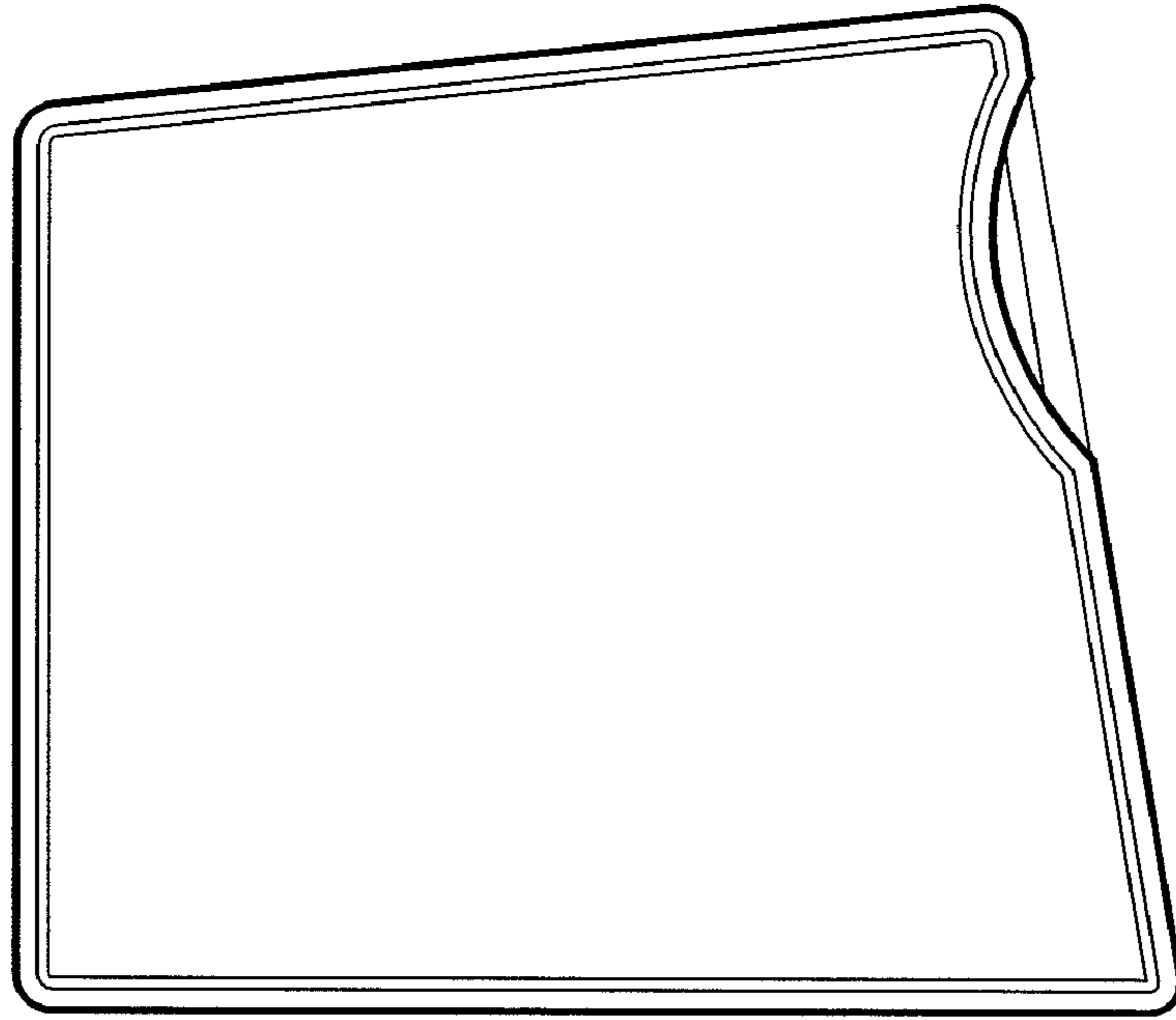


FIG. 4

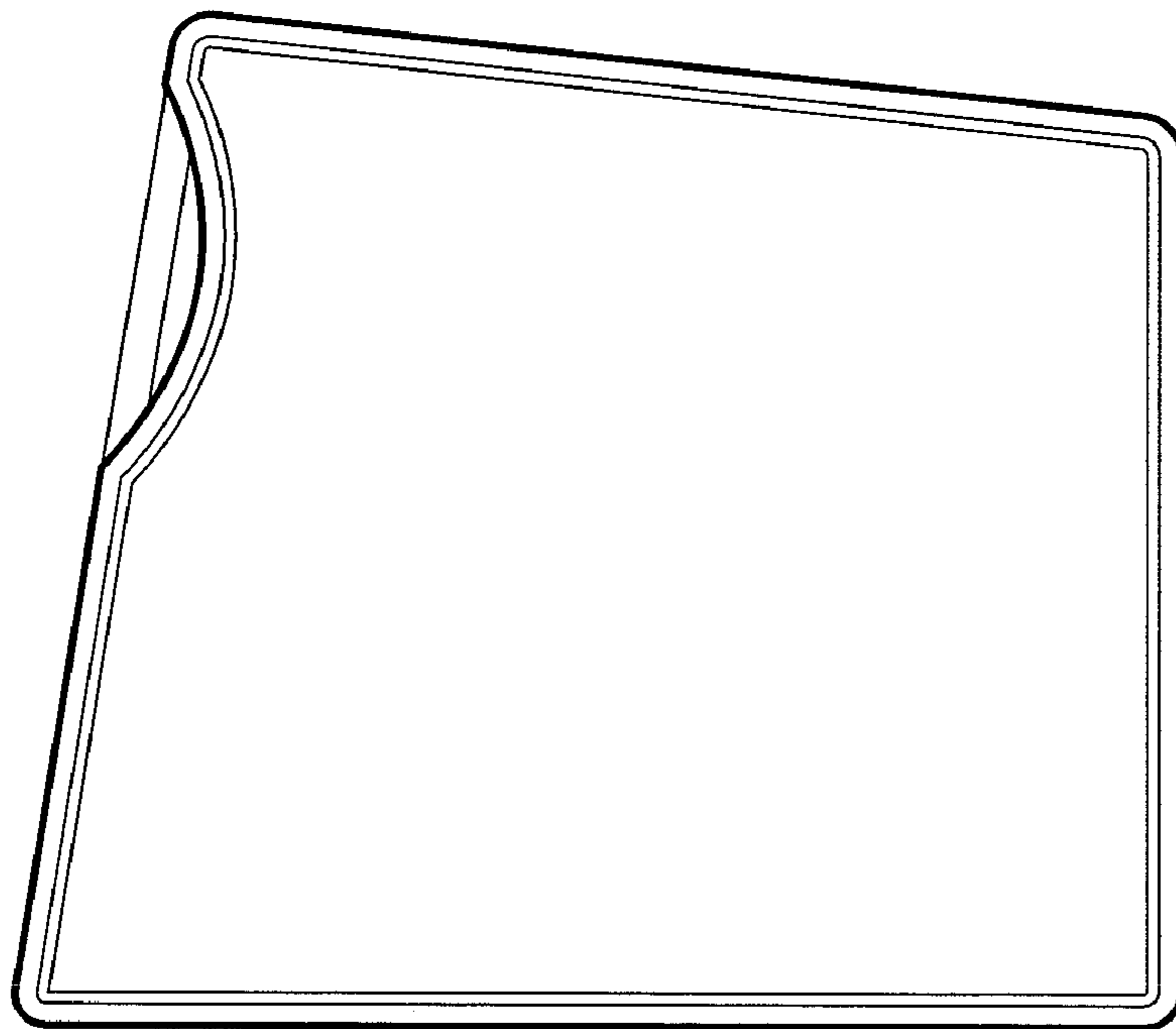


FIG. 5

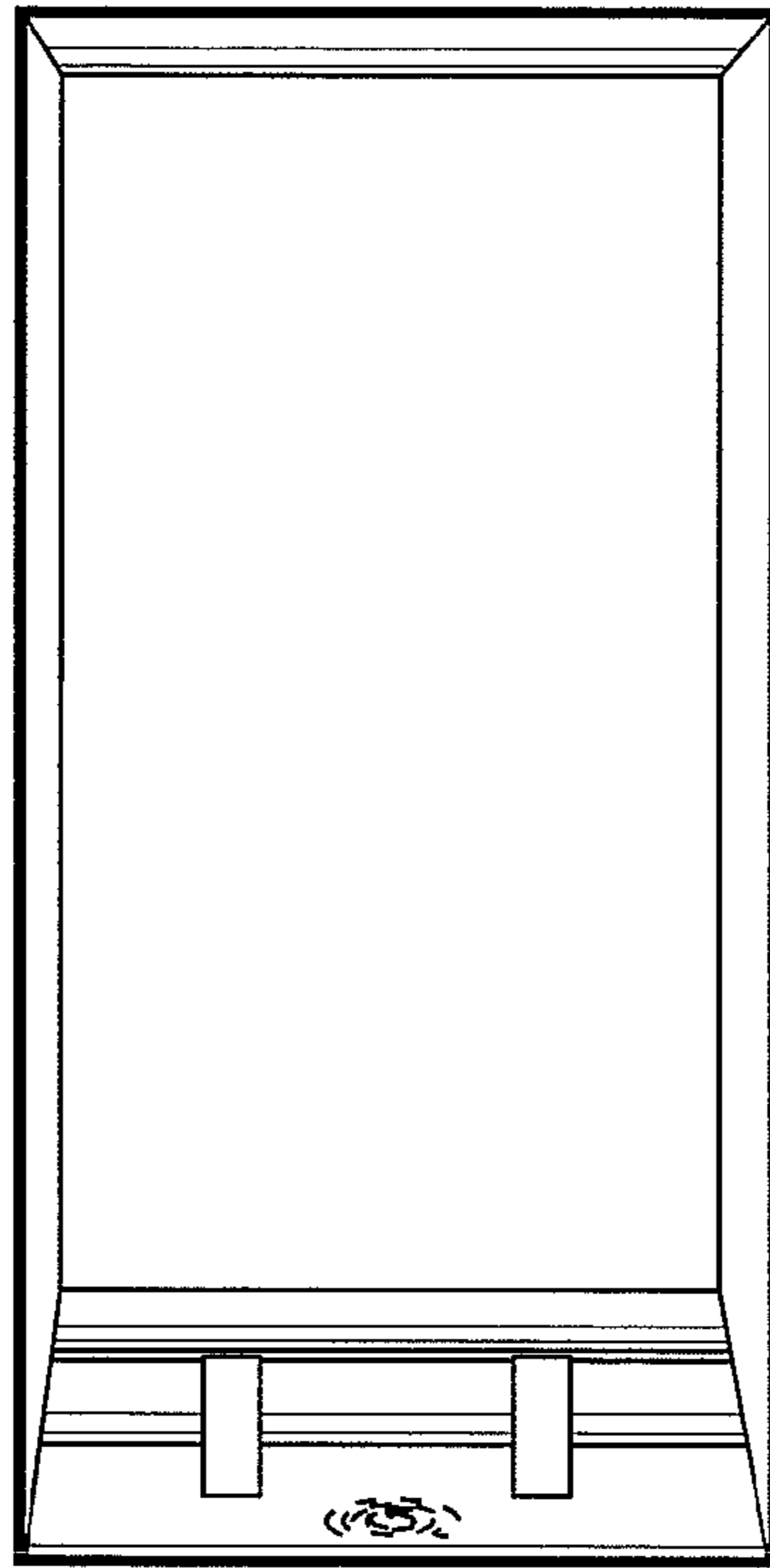


FIG. 6

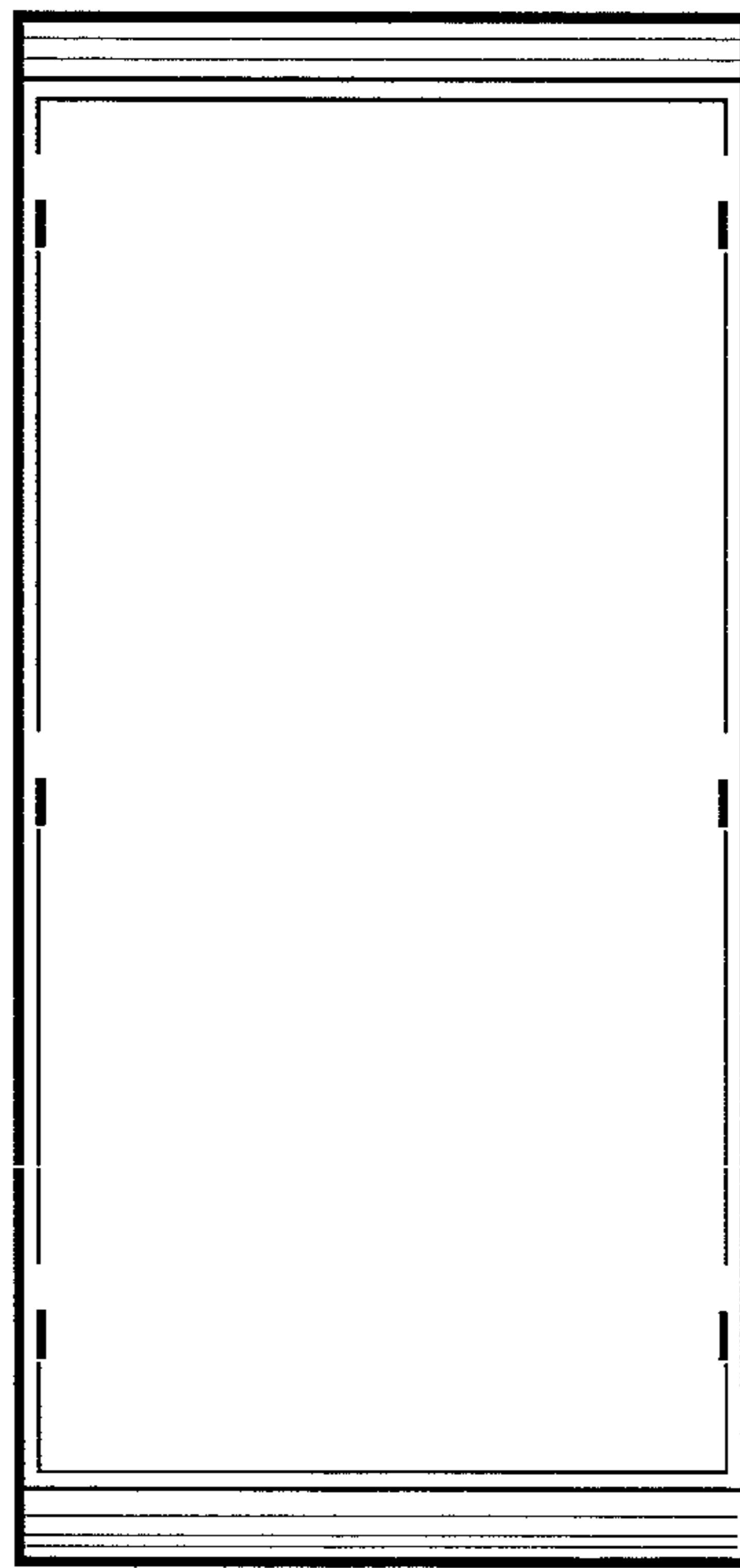


FIG. 7

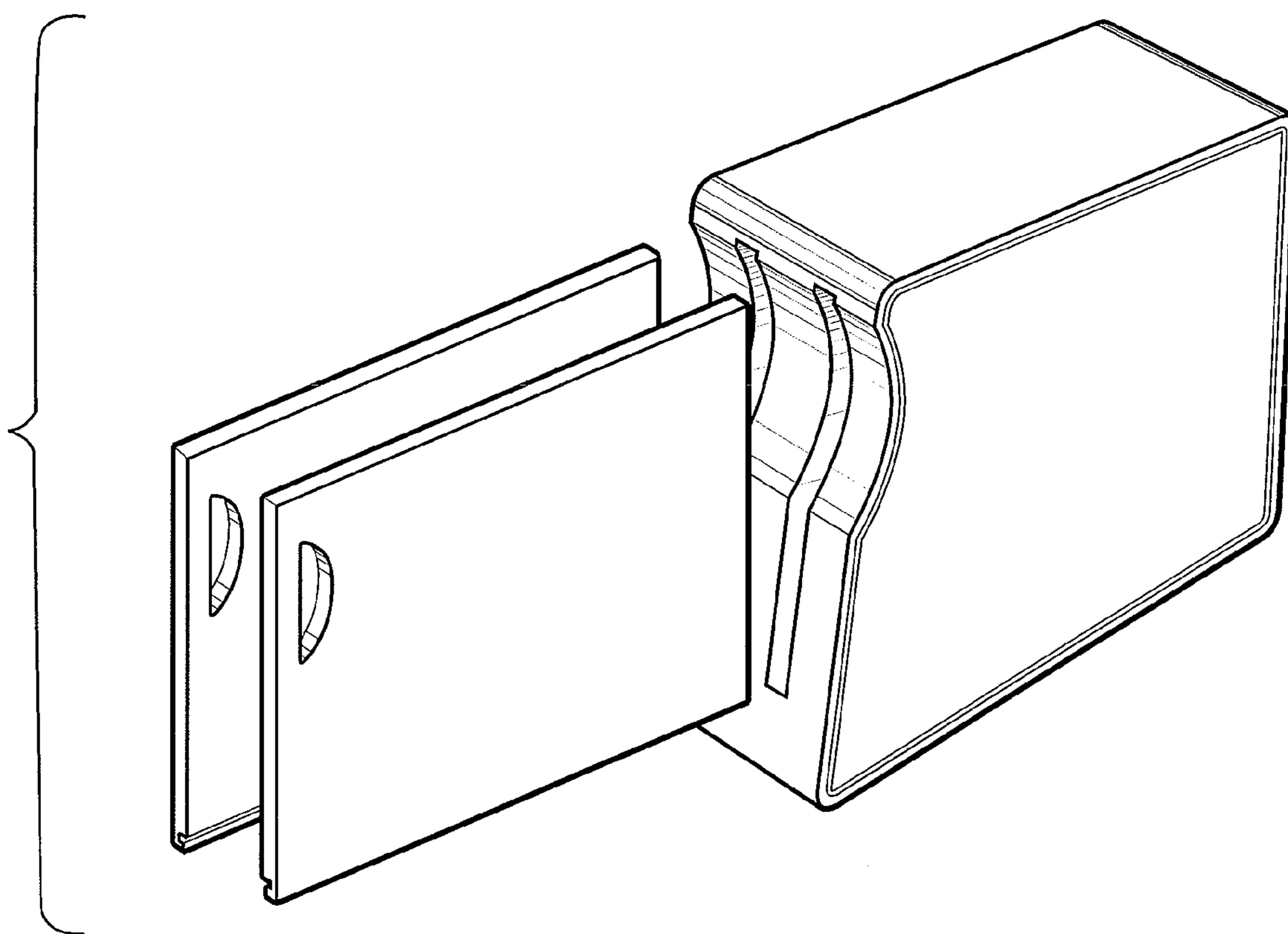


FIG. 8