



US00D623028S

(12) **United States Design Patent**
Behar et al.

(10) **Patent No.:** **US D623,028 S**
(45) **Date of Patent:** **** Sep. 7, 2010**

(54) **SANTOKU KNIFE**

(75) Inventors: **Yves Behar**, San Francisco, CA (US);
Joshua Morenstein, San Francisco, CA
(US); **Christopher N. HibmaCronan**,
Oakland, CA (US); **Giuseppe Della**
Sala, Berkeley, CA (US)

(73) Assignee: **Slice, Inc**, Campbell, CA (US)

(**) Term: **14 Years**

(21) Appl. No.: **29/349,175**

(22) Filed: **Mar. 11, 2010**

(51) **LOC (9) Cl.** **07-03**

(52) **U.S. Cl.** **D7/649**

(58) **Field of Classification Search** D4/138;
D7/368, 393-395, 401.2, 642-653, 660-664,
D7/669, 675-676, 688-692, 695-696; D8/87,
D8/97-99, 102, 107, 300, 303, 321; D22/118;
D24/214; 30/137, 141-143, 147-150, 322-327,
30/329, 340-346

See application file for complete search history.

(56) **References Cited**

U.S. PATENT DOCUMENTS

D14,331 S * 10/1883 Edson D4/138
D176,898 S * 2/1956 Anderson et al. D24/214

D233,122 S * 10/1974 Fauzza D7/652
D303,748 S * 10/1989 Yamagishi D7/649
D306,097 S * 2/1990 Gingras D4/138
D420,258 S * 2/2000 Leo et al. D7/649
D552,430 S * 10/2007 Chen D7/649
D573,682 S * 7/2008 Martinez D22/118
D602,748 S * 10/2009 Schmidt D7/649

* cited by examiner

Primary Examiner—Caron Veynar
Assistant Examiner—Ricky Pham

(57) **CLAIM**

The ornamental design for a santoku knife, as shown.

DESCRIPTION

FIG. 1: is the front isometric view of the santoku knife show-
ing our new design;

FIG. 2: is the front view of the santoku knife thereof;

FIG. 3: is the back view of the santoku knife thereof;

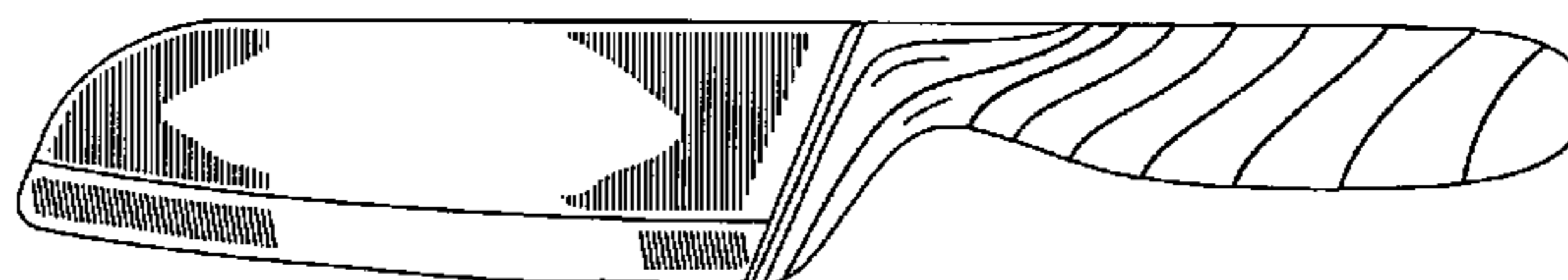
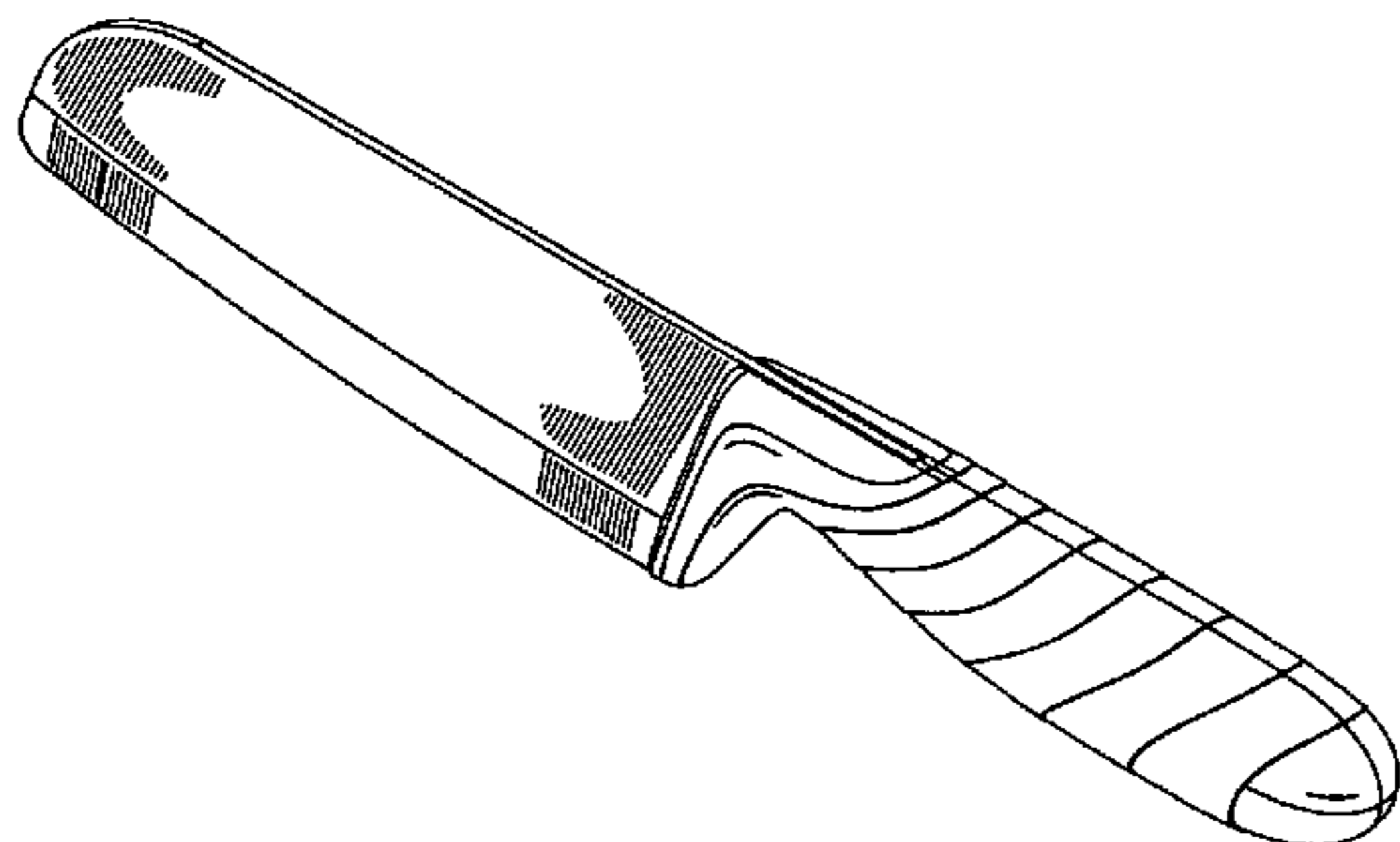
FIG. 4: is the top view of the santoku knife thereof;

FIG. 5: is the bottom view of the santoku knife thereof;

FIG. 6: is the left hand side view of the santoku knife thereof;
and,

FIG. 7: is the right hand side view of the santoku knife.

1 Claim, 3 Drawing Sheets



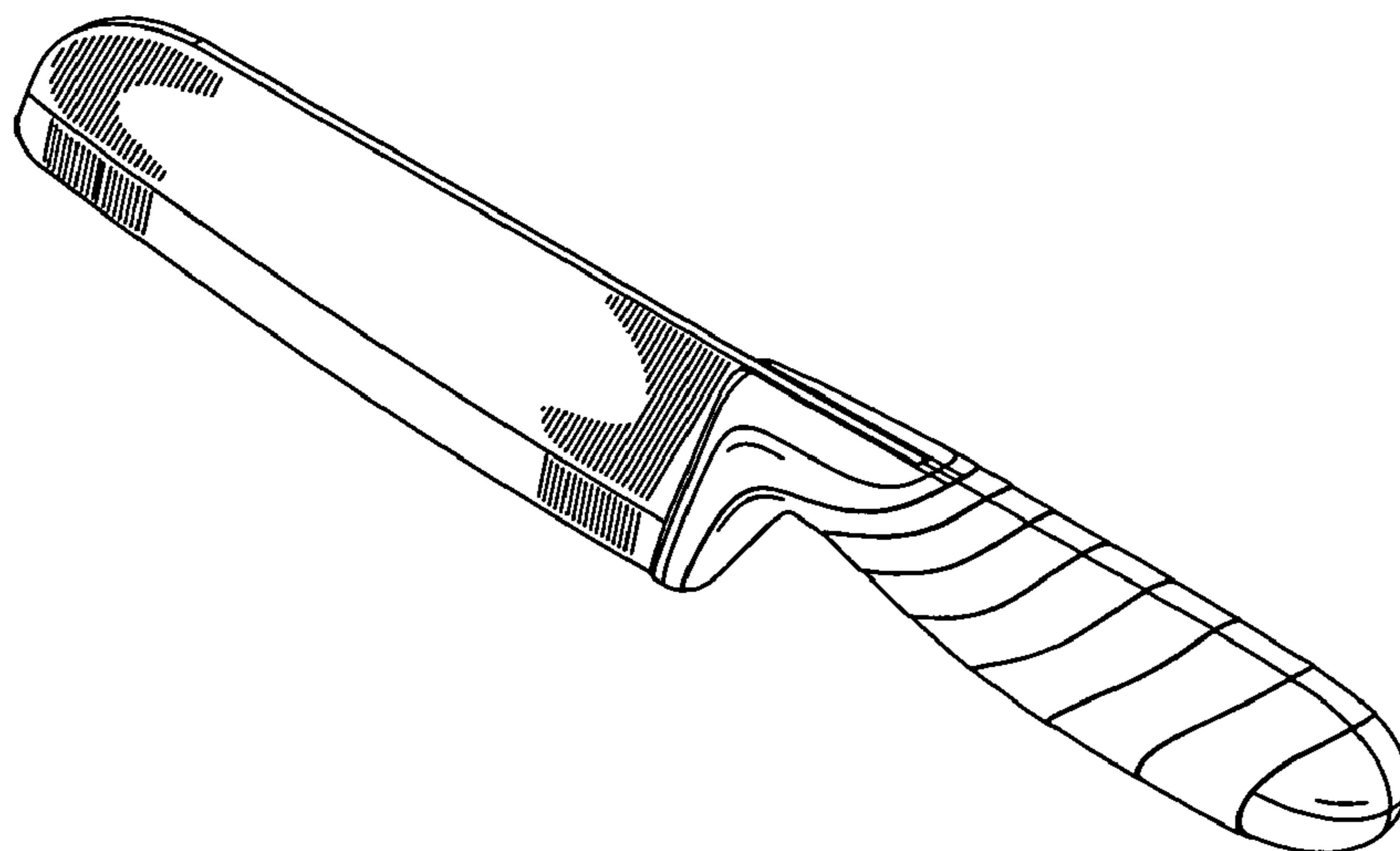


FIG. 1

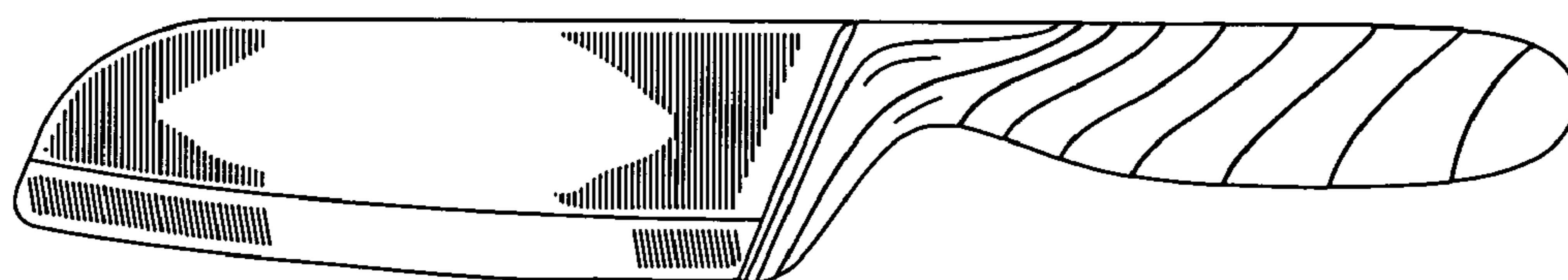


FIG. 2

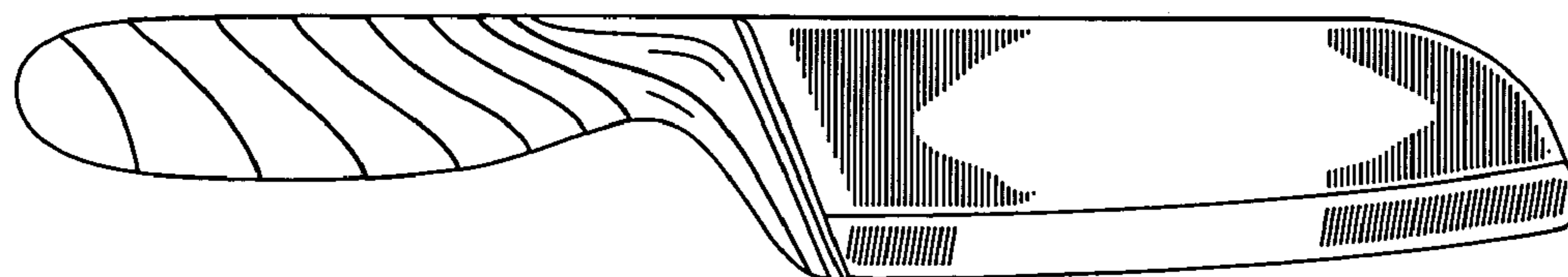


FIG. 3

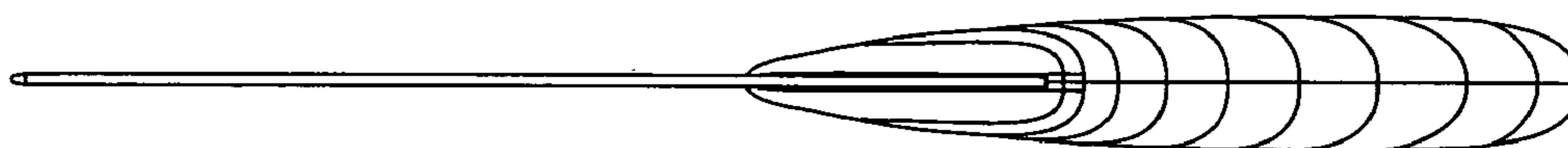


FIG. 4

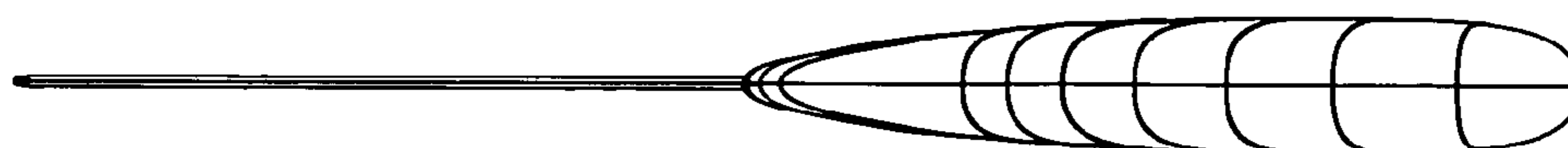


FIG. 5

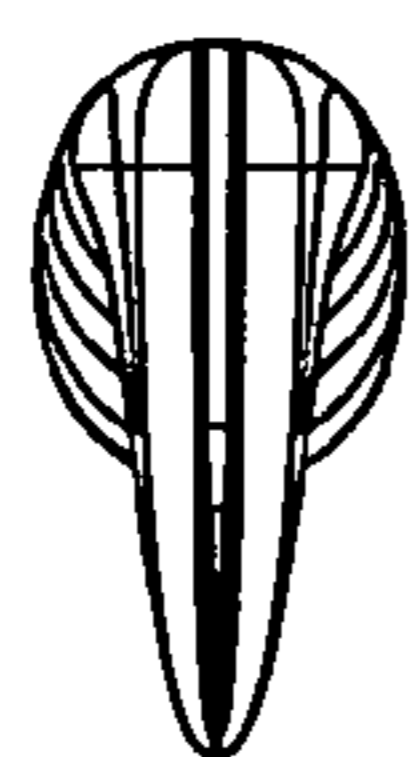


FIG. 6



FIG. 7