



US00D623019S

(12) **United States Design Patent**
Wildman

(10) **Patent No.:** **US D623,019 S**
(45) **Date of Patent:** **** Sep. 7, 2010**

(54) **COMBINATION FOOD PLATE AND BOWL**

(76) Inventor: **Michael B. Wildman**, 1136 E. 233rd St.,
Bronx, NY (US) 10466

(**) Term: **14 Years**

(21) Appl. No.: **29/358,648**

(22) Filed: **Mar. 30, 2010**

D448,977 S *	10/2001	Bleimaier et al.	D7/553.6
D453,891 S *	2/2002	Sussman	D7/553.1
6,651,836 B1 *	11/2003	Hofheins et al.	220/575
6,691,890 B1 *	2/2004	Persson	220/575
D516,382 S *	3/2006	King et al.	D7/553.8
D540,622 S *	4/2007	Cox	D7/555
D594,705 S *	6/2009	McComas	D7/546
D595,093 S *	6/2009	McComas	D7/546
D603,224 S *	11/2009	Luft	D7/553.8
D604,993 S *	12/2009	Vernes et al.	D7/549
D606,810 S *	12/2009	Clark	D7/549

Related U.S. Application Data

(63) Continuation-in-part of application No. 11/669,835,
filed on Jan. 31, 2007.

(51) **LOC (9) Cl.** **07-01**

(52) **U.S. Cl.** **D7/554.2**

(58) **Field of Classification Search** D7/549,
D7/555, 567, 553.6, 601-602, 553.5, 553.1,
D7/554.2; 220/574, 553, 556, 575; 206/562,
206/549, 561, 557, 564, 565; 294/146

See application file for complete search history.

(56) **References Cited**

U.S. PATENT DOCUMENTS

381,795 A	4/1888	Kimball	
1,520,402 A	12/1924	Clemans	
4,744,597 A *	5/1988	Bauman et al.	294/172
4,989,742 A *	2/1991	Powell	220/23.4
D351,085 S *	10/1994	Schmidt	D7/507
5,419,455 A *	5/1995	Russeau	220/575
D368,627 S *	4/1996	McSpadden	D7/553.6
D373,933 S *	9/1996	Gibbs, III	D7/555
5,598,944 A	2/1997	Aragona	
5,697,512 A	12/1997	Brickley	
5,803,305 A	9/1998	Perlis et al.	

* cited by examiner

Primary Examiner—Elizabeth A Albert

Assistant Examiner—Kelley A Donnelly

(74) *Attorney, Agent, or Firm*—Crossley Patent Law; Mark A.
Crossley

(57) **CLAIM**

The ornamental design for a combination food plate and
bowl, as shown and described.

DESCRIPTION

FIG. 1 is a front elevation view of a combination food plate
and bowl showing my new design, the opposite side being a
mirror image of the shown;

FIG. 2 is a left elevation view thereof;

FIG. 3 is a right elevation view thereof;

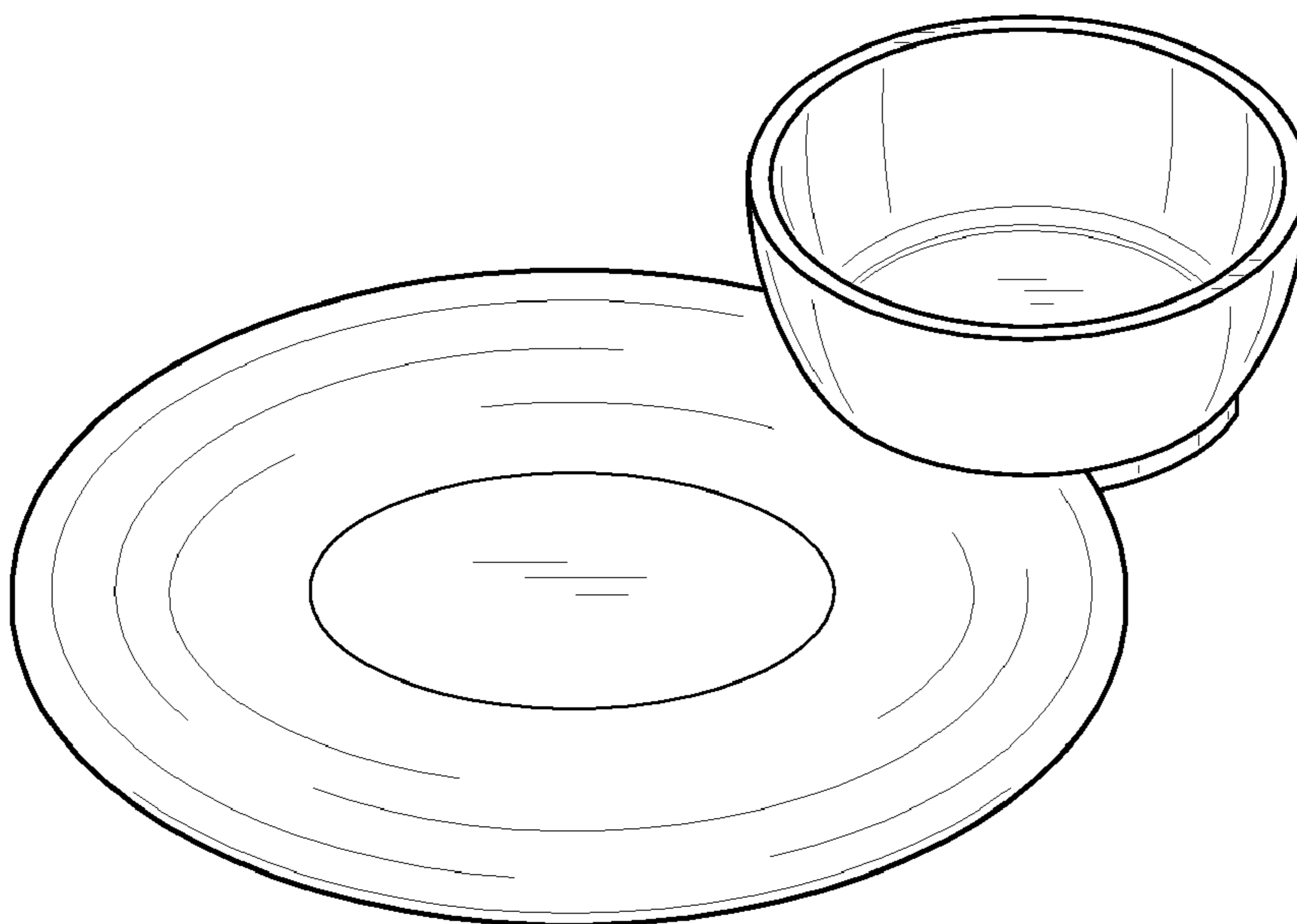
FIG. 4 is a top plan view thereof;

FIG. 5 is a bottom plan view thereof;

FIG. 6 is a top isometric view thereof; and,

FIG. 7 is a bottom isometric view thereof.

1 Claim, 3 Drawing Sheets



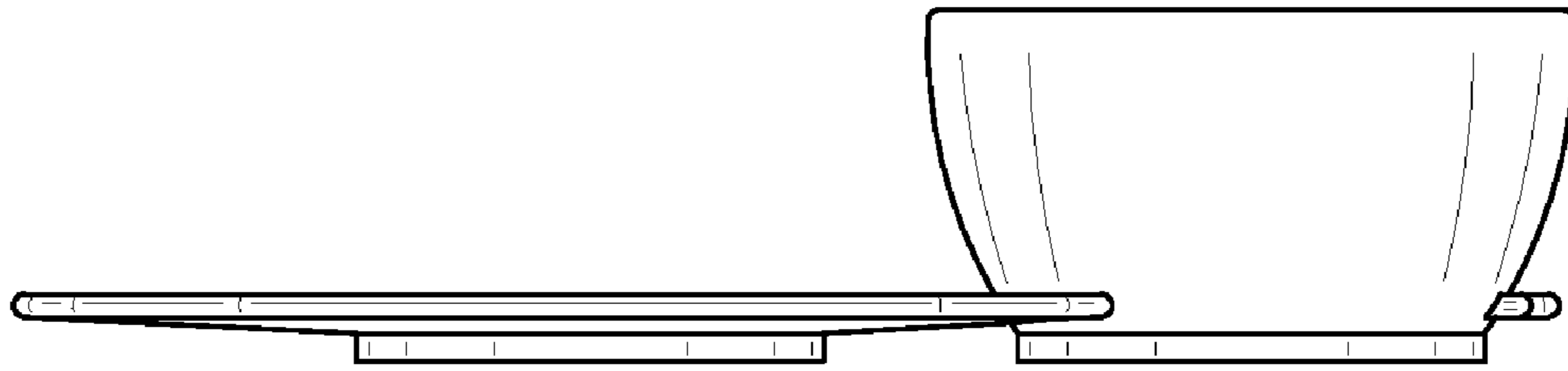


FIG. 1

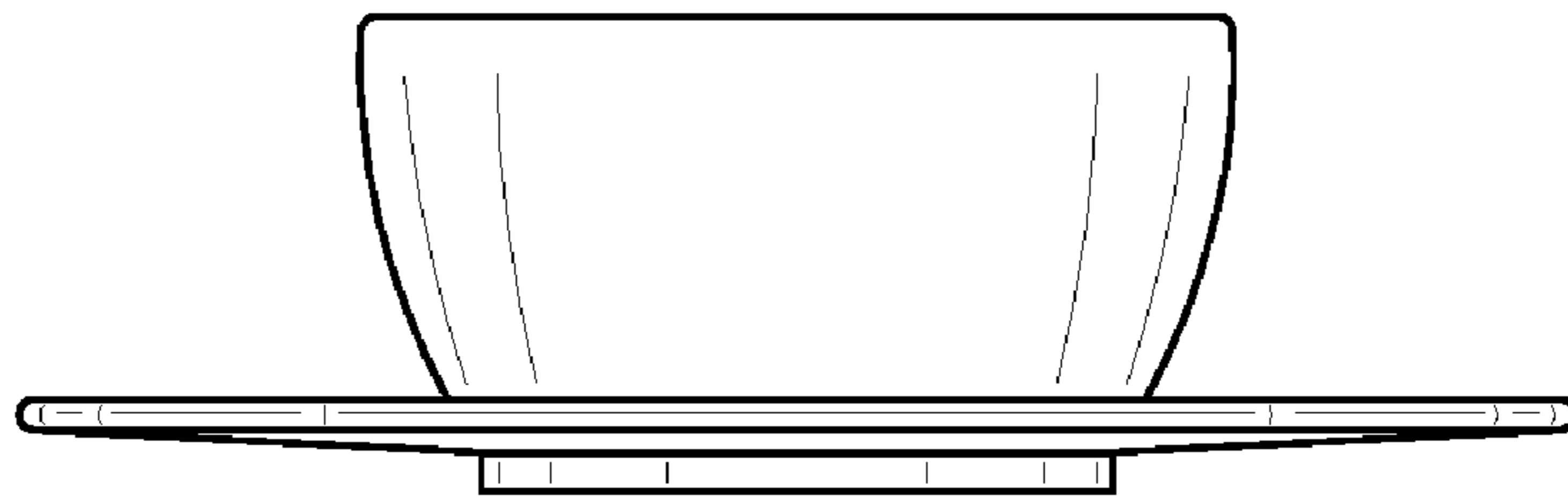


FIG. 2

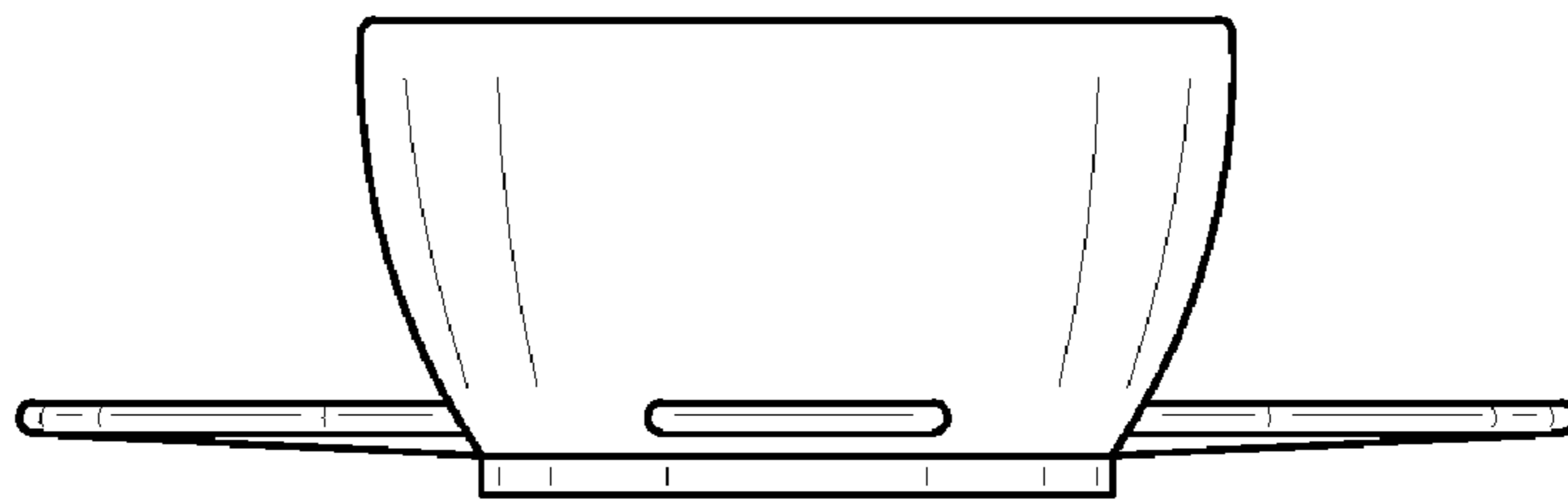
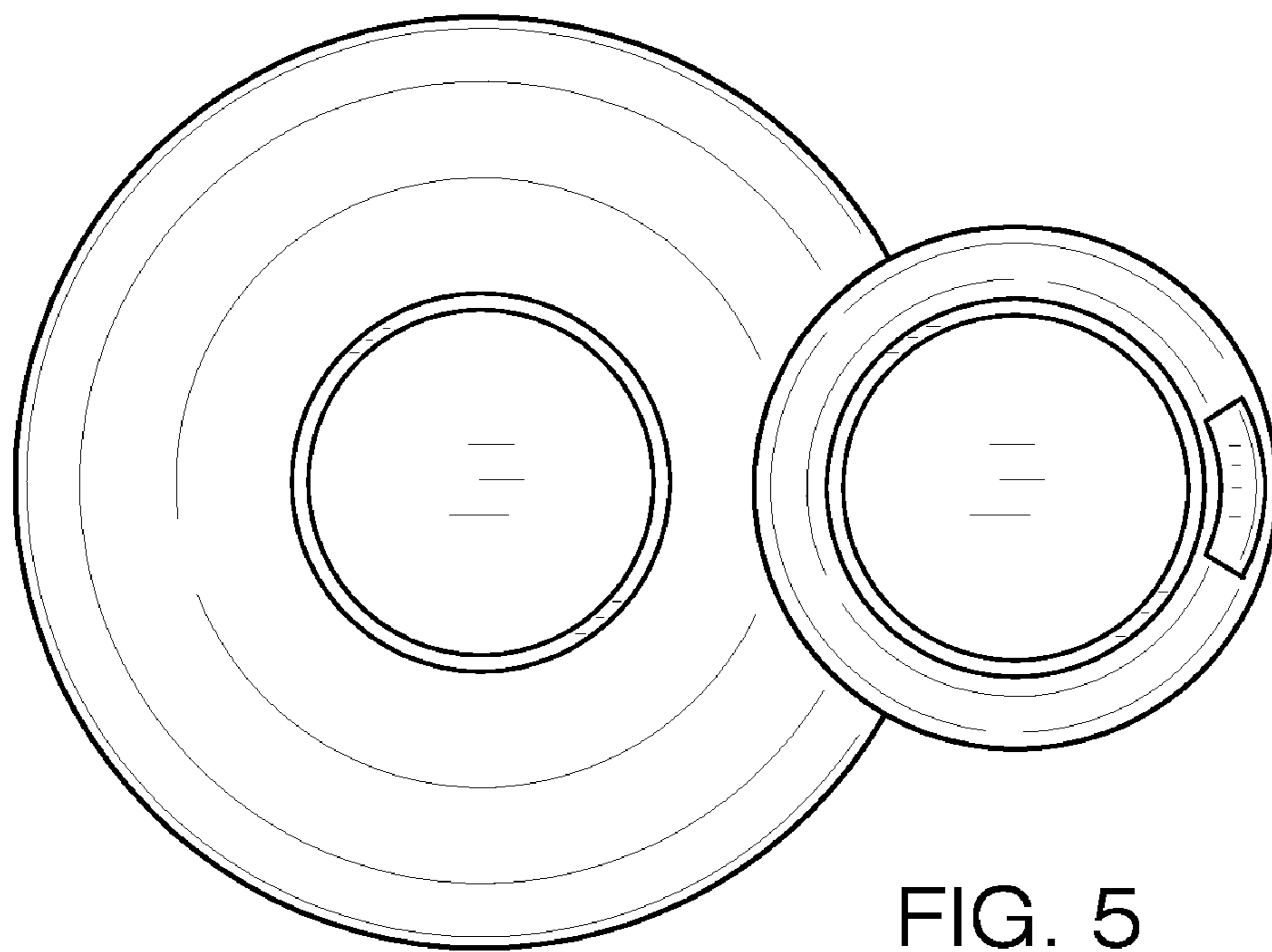
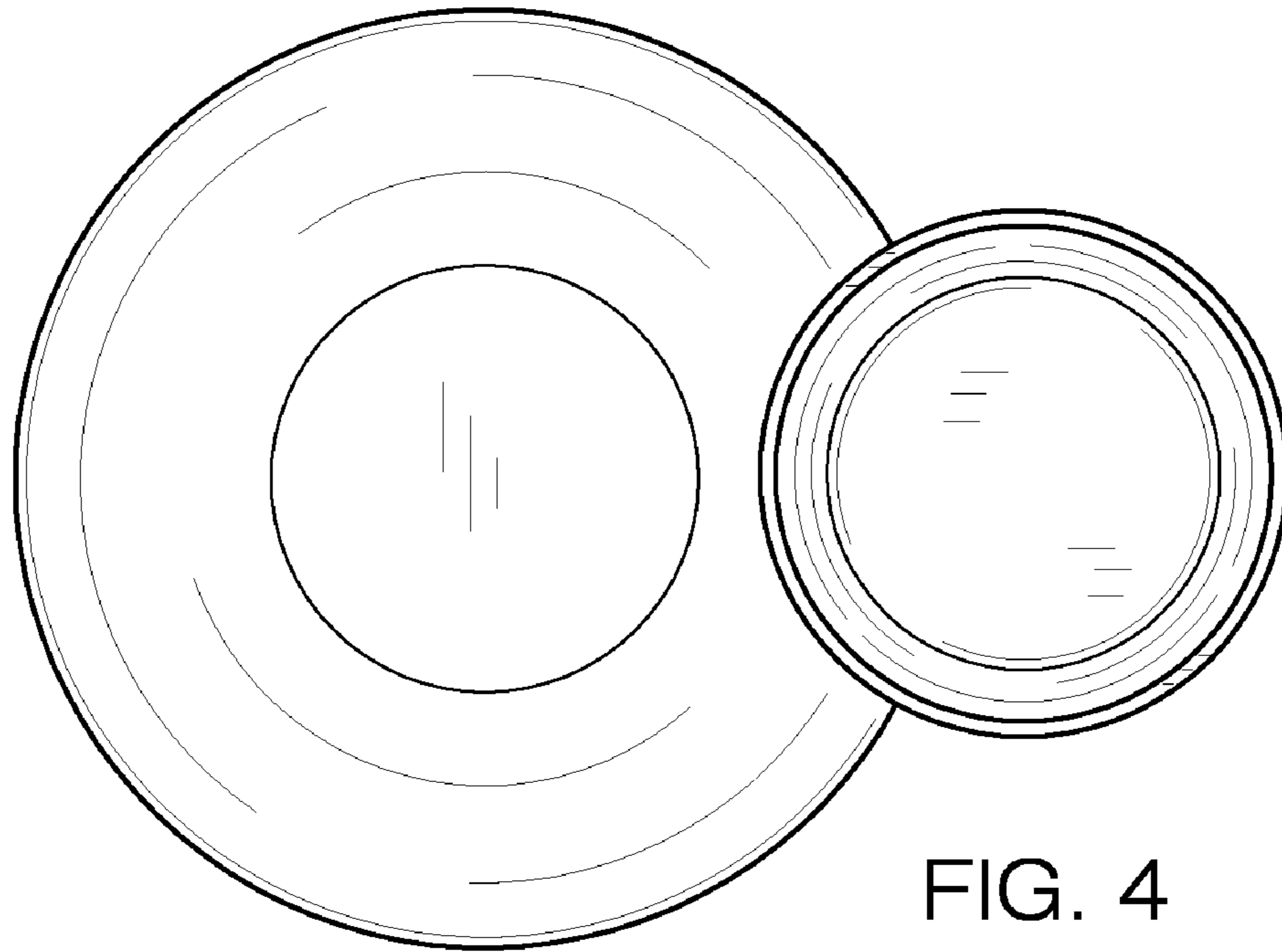


FIG. 3



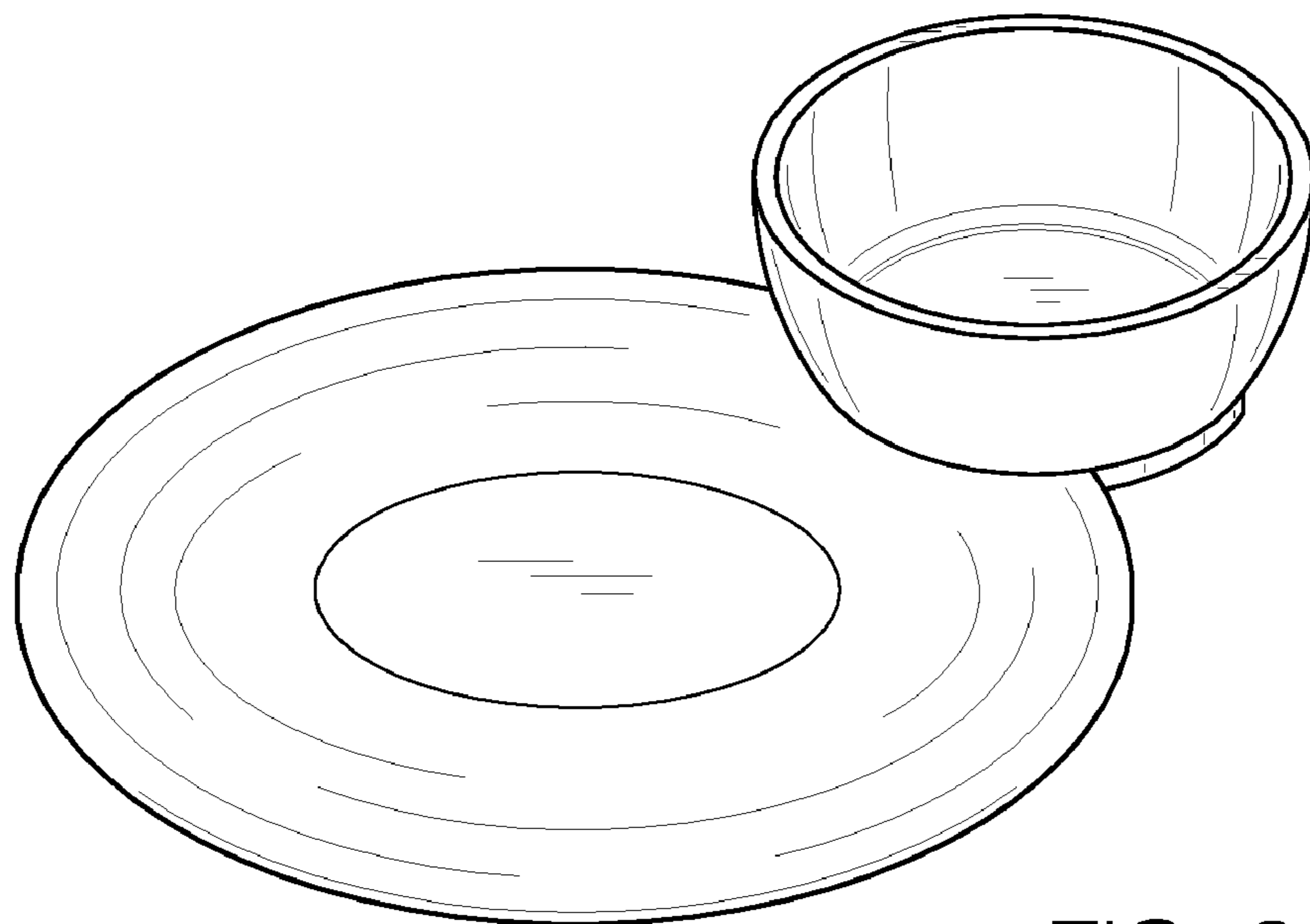


FIG. 6

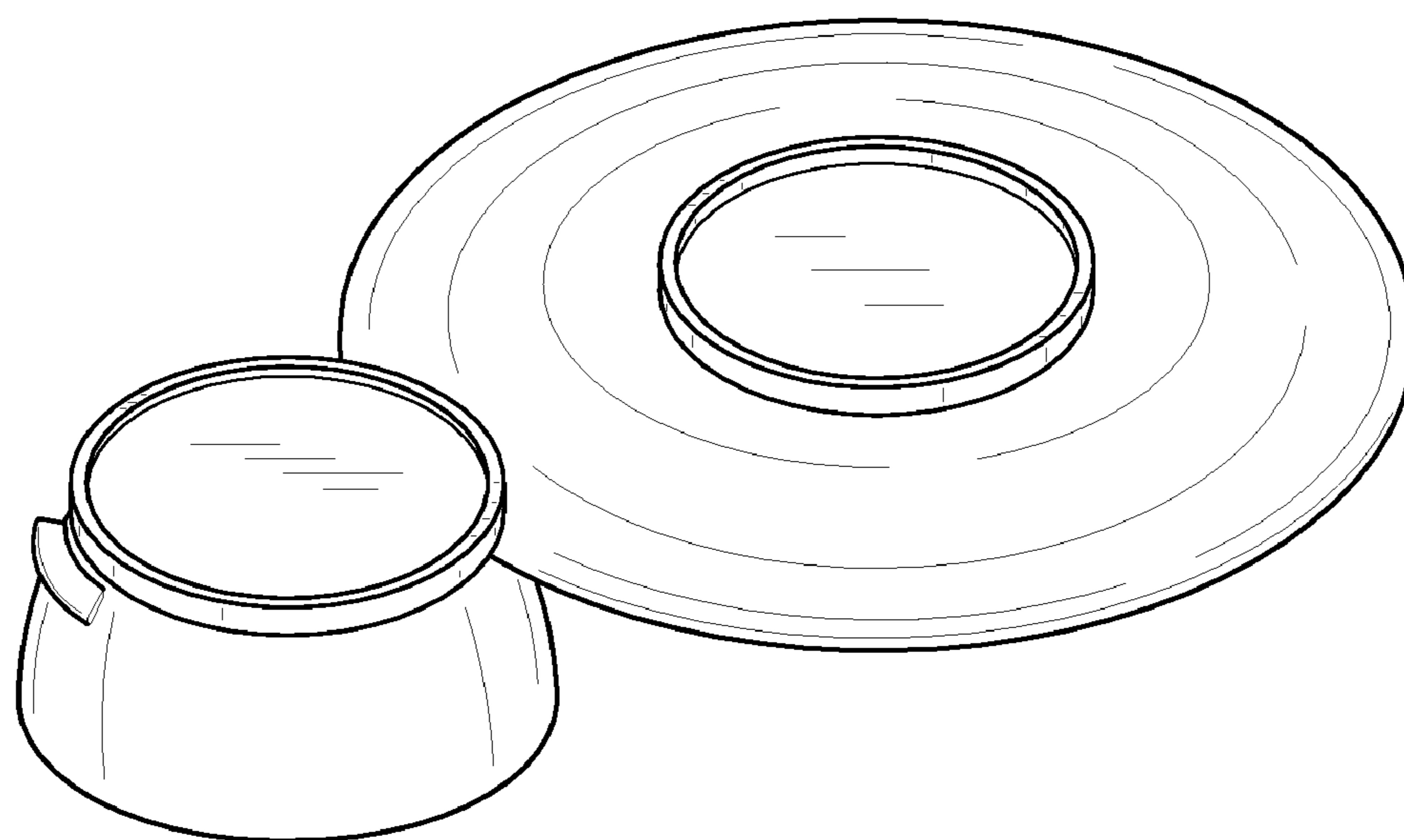


FIG. 7