



US00D623010S

(12) **United States Design Patent**  
**Higgins**

(10) **Patent No.:** **US D623,010 S**

(45) **Date of Patent:** **\*\* Sep. 7, 2010**

(54) **WINE AERATOR**

(76) Inventor: **Michael Higgins**, 111-F Carpenter Dr.,  
Sterling, VA (US) 20164

(\*\*) Term: **14 Years**

(21) Appl. No.: **29/356,726**

(22) Filed: **Mar. 2, 2010**

(51) **LOC (9) Cl.** ..... **07-01**

(52) **U.S. Cl.** ..... **D7/387; D7/315**

(58) **Field of Classification Search** ..... D7/387,  
D7/396.2, 624.1, 619.1, 507, 622, 388; 220/739,  
220/703, 592.16, 592.17, 758; 215/12.1,  
215/393, 387, DIG. 7, 396; D3/229; D9/440,  
D9/434, 435, 439; D32/55; 206/217; 294/33;  
261/76, DIG. 75; 426/474

See application file for complete search history.

(56) **References Cited**

**U.S. PATENT DOCUMENTS**

1,677,265 A \* 7/1928 Boving ..... 417/108  
3,469,739 A \* 9/1969 Phillips ..... 221/96  
4,162,129 A \* 7/1979 Bartholemew, Jr. .... 366/211

4,494,452 A \* 1/1985 Barzso ..... 99/323.1  
6,332,706 B1 \* 12/2001 Hall ..... 366/274  
6,386,935 B1 \* 5/2002 Lin ..... 446/16  
D535,559 S \* 1/2007 Kehoe ..... D9/440  
D604,560 S \* 11/2009 Priest ..... D7/507  
D612,659 S \* 3/2010 Kehoe ..... D7/316  
7,686,269 B1 \* 3/2010 Beal ..... 248/313  
2006/0032855 A1 \* 2/2006 Hinkle ..... 220/703

\* cited by examiner

*Primary Examiner*—Robert M Spear

*Assistant Examiner*—Cynthia Underwood

(74) *Attorney, Agent, or Firm*—Sherr & Vaughn, PLLC

(57) **CLAIM**

The ornamental design for a wine aerator, as shown.

**DESCRIPTION**

FIG. 1 illustrates a perspective view of a wine aerator;

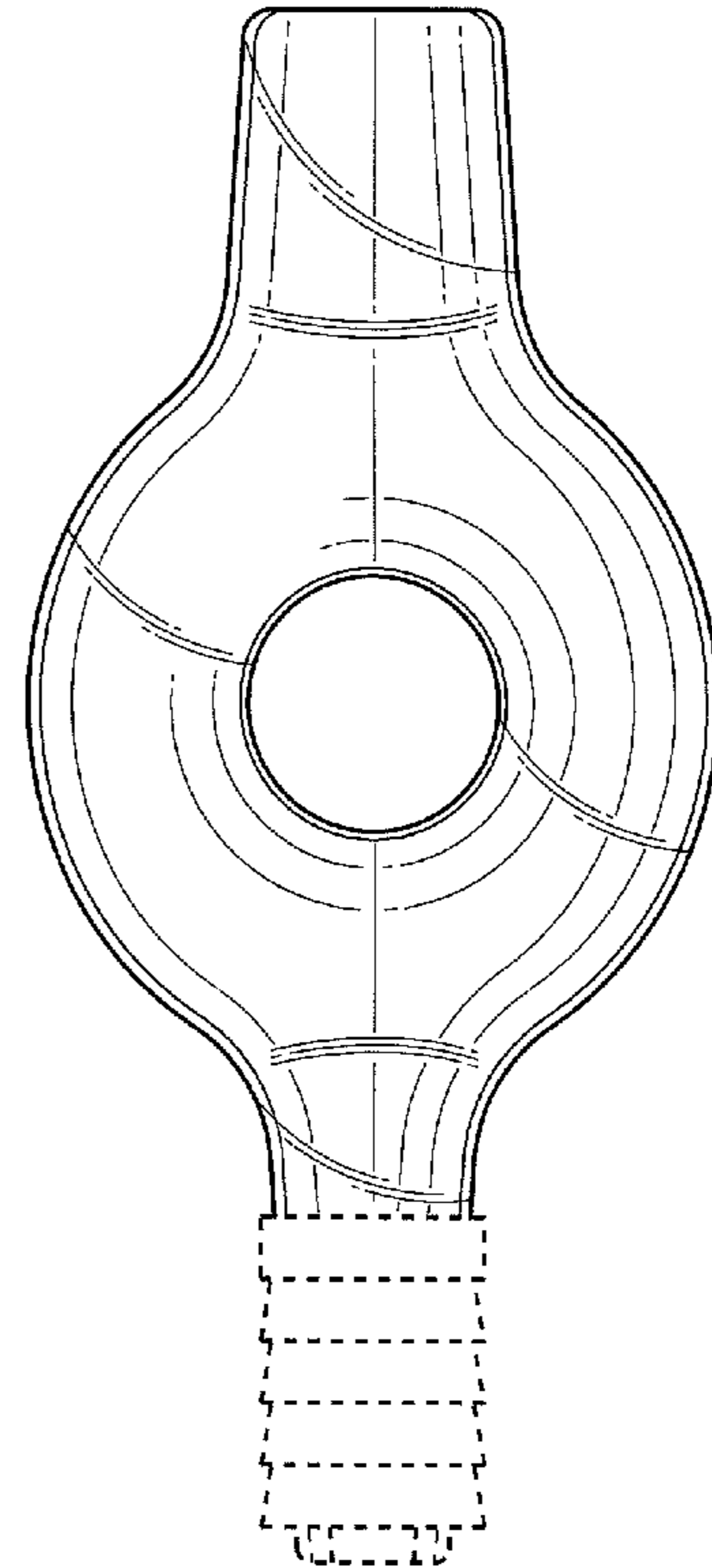
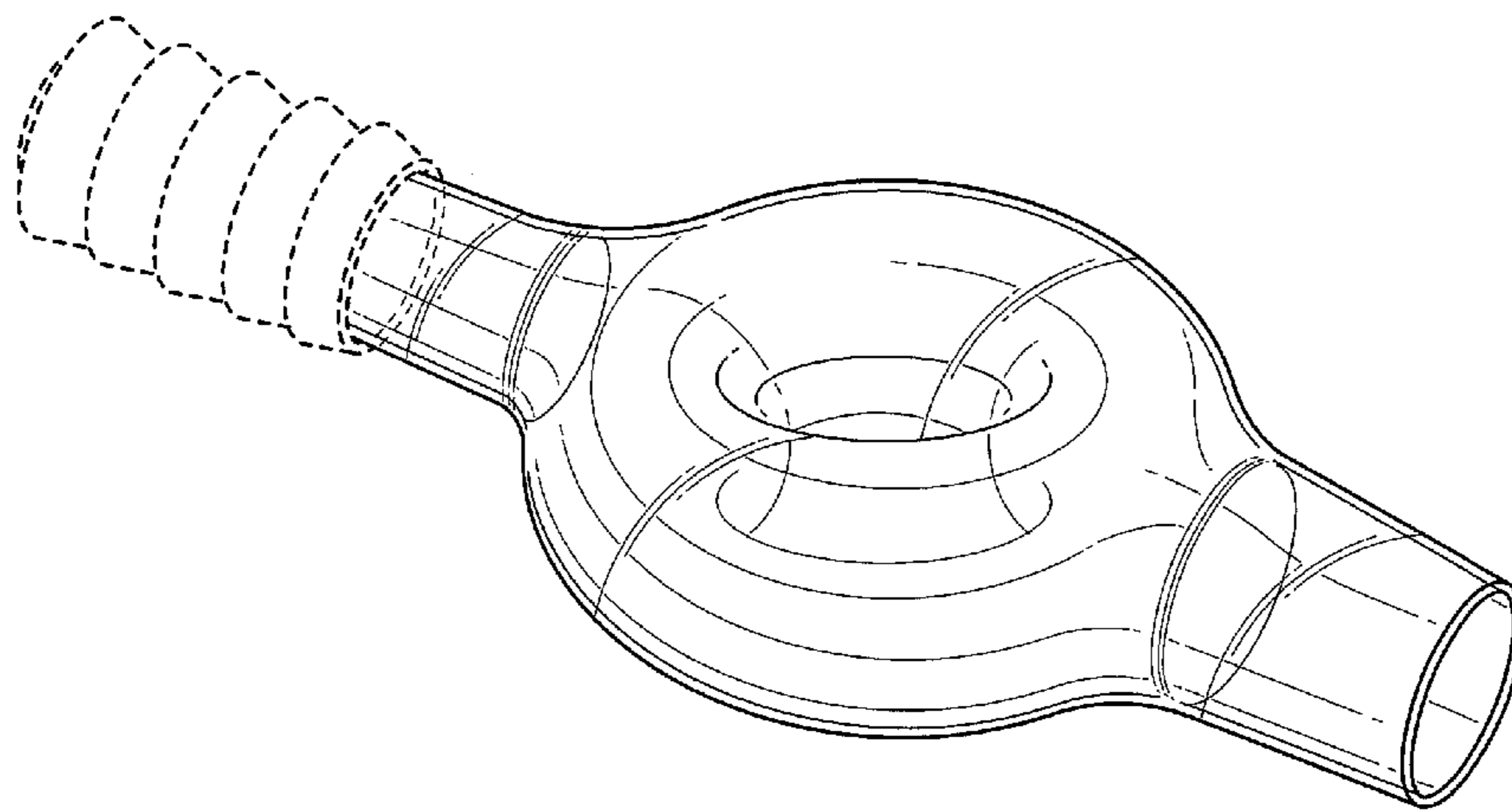
FIG. 2 illustrates a front plan view of FIG. 1;

FIG. 3 illustrates a side plan view of FIG. 1;

FIG. 4 illustrates a top plan view of FIG. 1; and,

FIG. 5 illustrates a bottom plan view of FIG. 1.

**1 Claim, 4 Drawing Sheets**



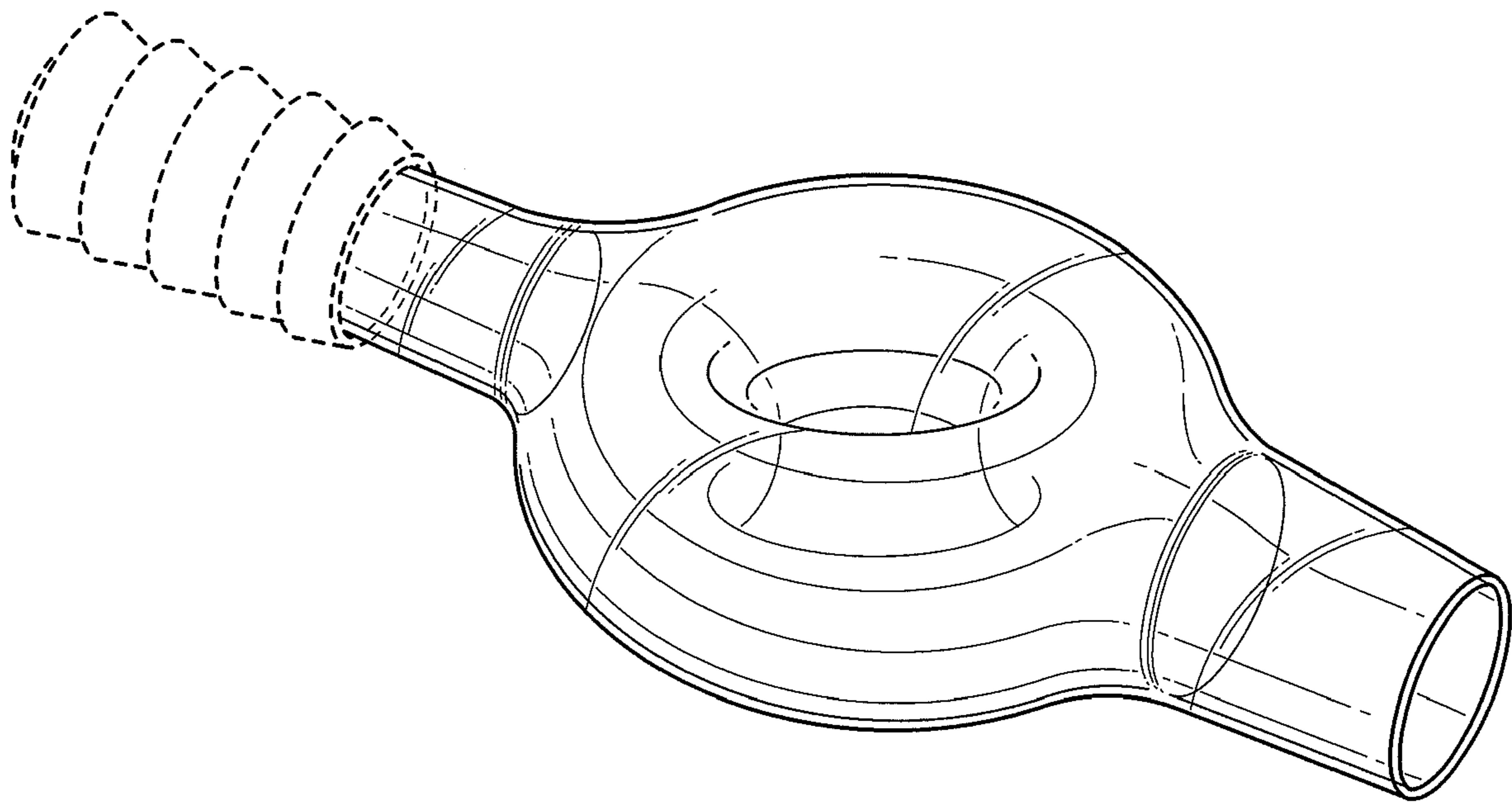


FIG. 1

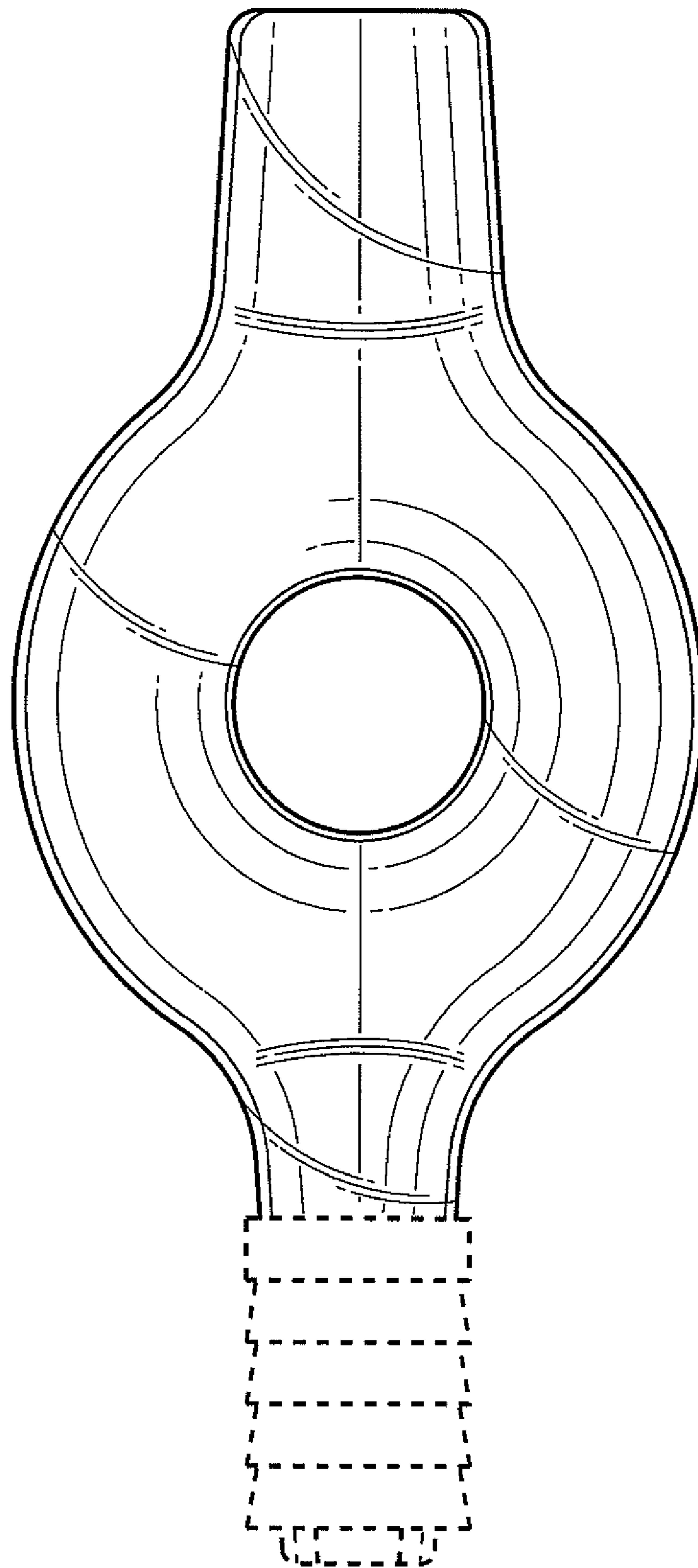
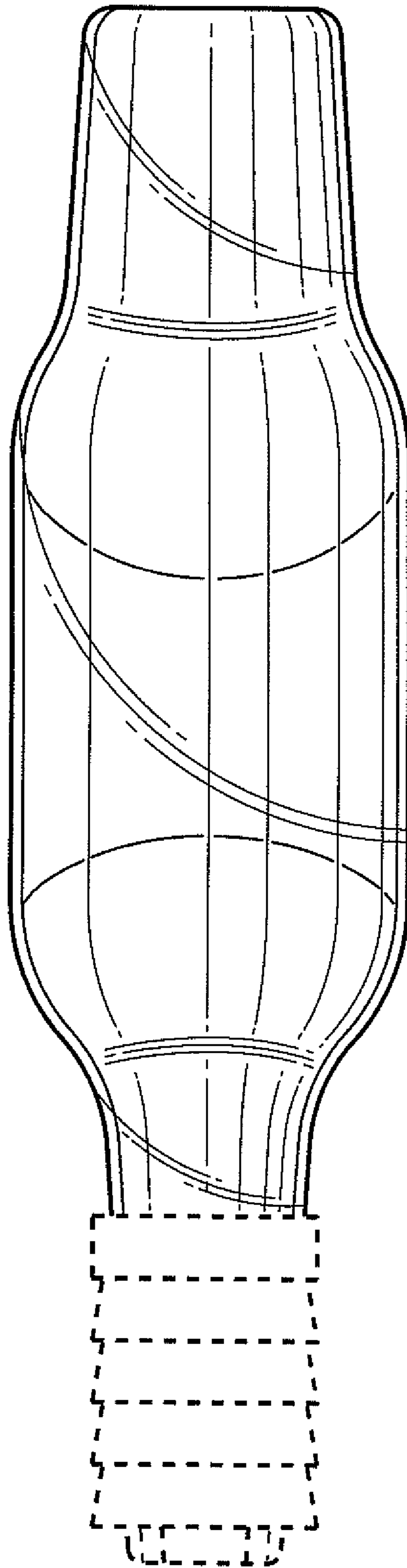
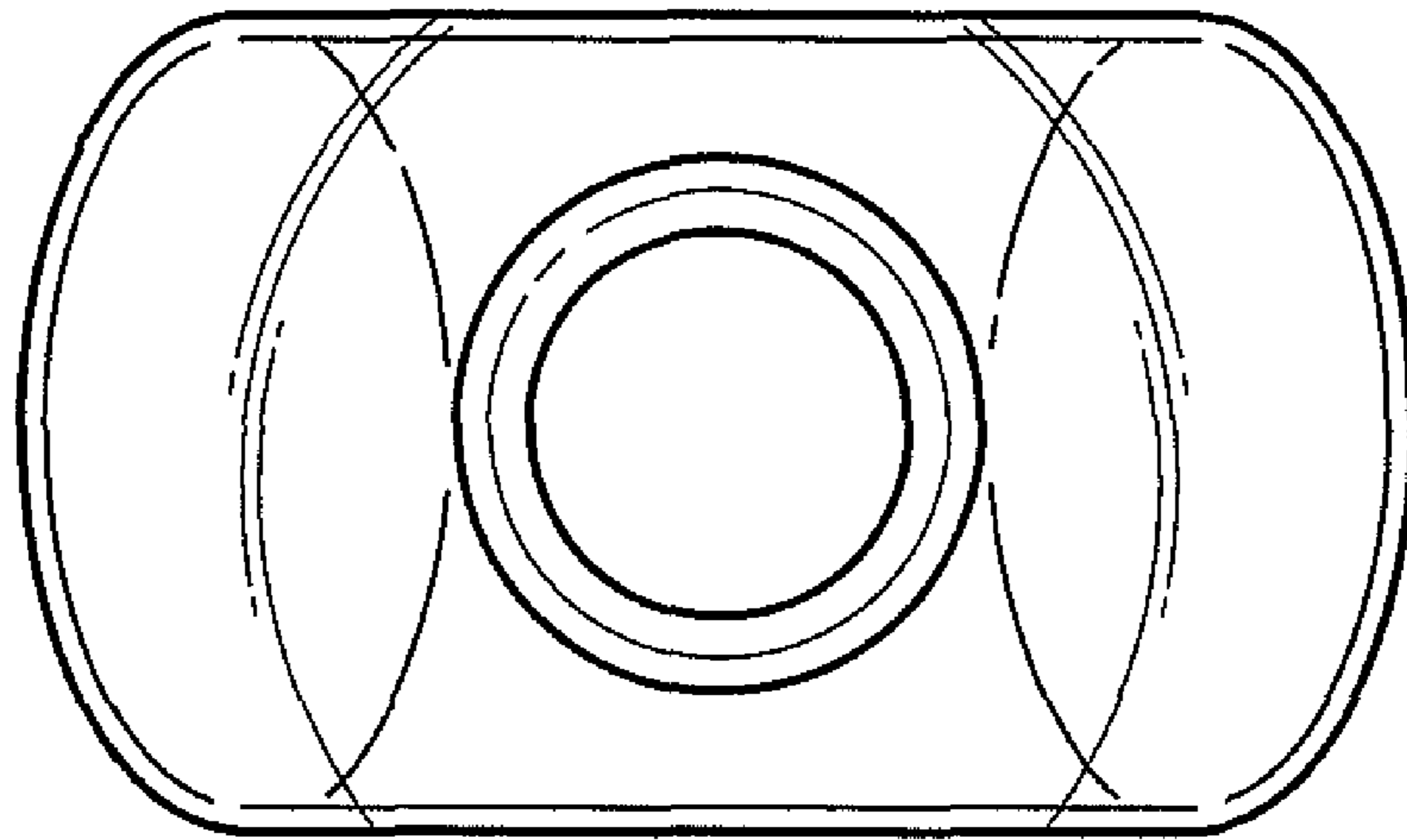


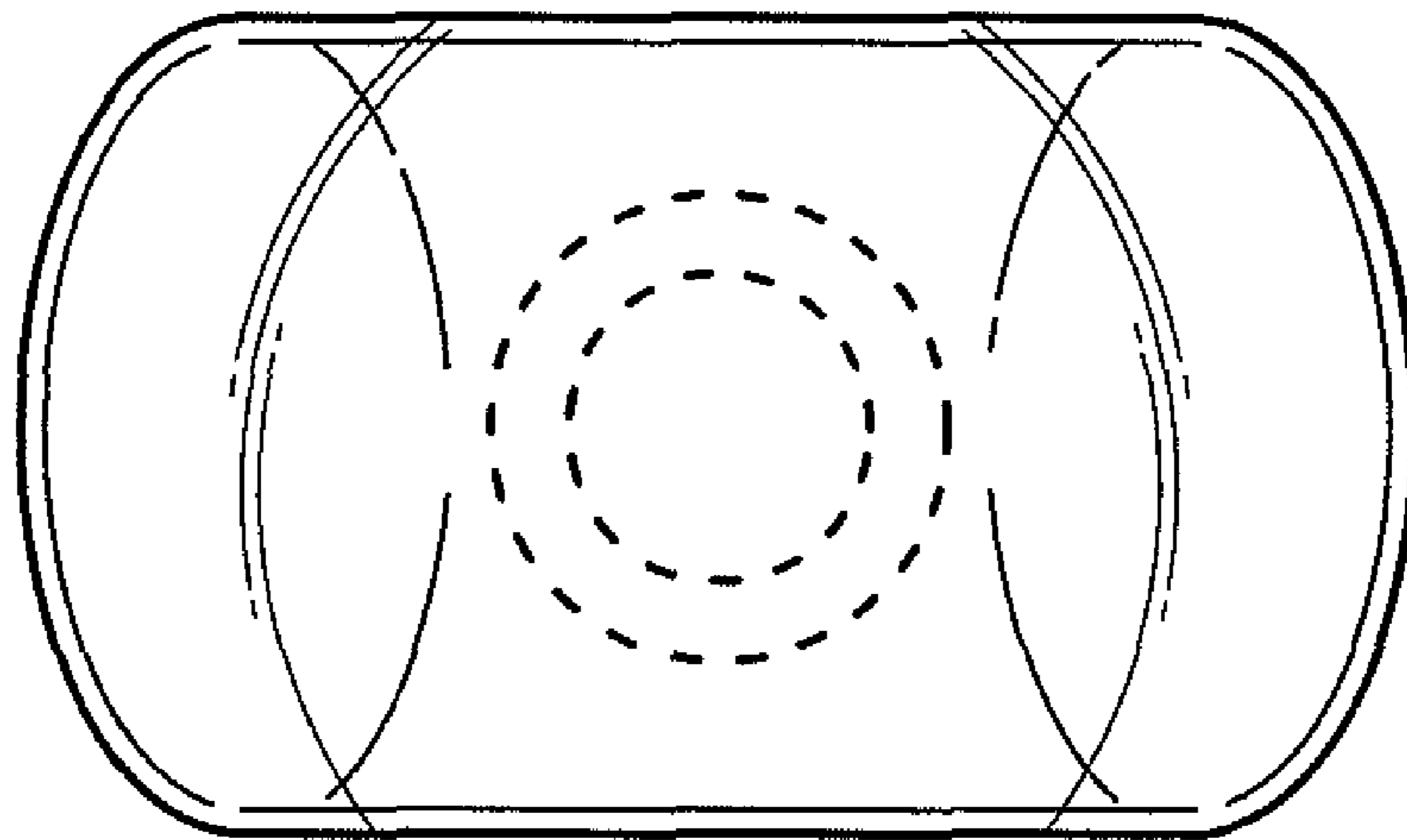
FIG. 2



**FIG. 3**



**FIG. 4**



**FIG. 5**