



US00D623004S

(12) **United States Design Patent**
Groth et al.

(10) **Patent No.:** **US D623,004 S**
(45) **Date of Patent:** **** Sep. 7, 2010**

(54) **GAS GRILL**

(75) Inventors: **Kevin Groth**, Johnson City, TN (US); **R. James Foster**, Rogersville, TN (US); **Mark T. Proffitt**, Greeneville, TN (US)

(73) Assignee: **Meco Corporation**, Greeneville, TN (US)

(**) Term: **14 Years**

(21) Appl. No.: **29/341,762**

(22) Filed: **Aug. 12, 2009**

(51) **LOC (9) Cl.** **15-05**

(52) **U.S. Cl.** **D7/334**

(58) **Field of Classification Search** D7/332,
D7/334-337, 402-405; 99/339, 449, 450,
99/482; 126/25 R, 9 R, 41 R, 50, 276, 304 A,
126/268

See application file for complete search history.

(56) **References Cited**

U.S. PATENT DOCUMENTS

D188,879 S *	9/1960	Gauss et al.	D7/334
6,439,221 B1	8/2002	Ward et al.		
D478,464 S *	8/2003	Pai	D7/334
D480,595 S *	10/2003	Pai	D7/334
D480,907 S *	10/2003	Pai	D7/334
6,863,063 B2 *	3/2005	Yeh	126/25 R
D511,924 S *	11/2005	Chung	D7/334
D512,263 S *	12/2005	Chung	D7/334
D526,833 S *	8/2006	Chung	D7/334
D526,834 S *	8/2006	Chung	D7/334

D572,072 S * 7/2008 Chung D7/334
2008/0314376 A1 * 12/2008 Chung 126/25 R

OTHER PUBLICATIONS

Aussie™ Charcoal Grill 4200 Series Owners Manual for Walk-A-Bout™; ©Aussie™ Grill Company 2000; Entire manual —7 pages. Examiner found sharper copy of NPL, at: http://aussiegrills.com/images/product_elements_07/pdffiles/4200-Walk-A-Bout.pdf.

* cited by examiner

Primary Examiner—Ruth McInroy

(74) *Attorney, Agent, or Firm*—McGuireWoods LLP

(57) **CLAIM**

We claim the ornamental design for a gas grill, as shown and described.

DESCRIPTION

FIG. 1 is a top, front and left side perspective view of a gas grill showing our new design;

FIG. 2 is a front view thereof;

FIG. 3 is a left side view thereof;

FIG. 4 is a top view thereof;

FIG. 5 is a left side view thereof, in a collapsed configuration;

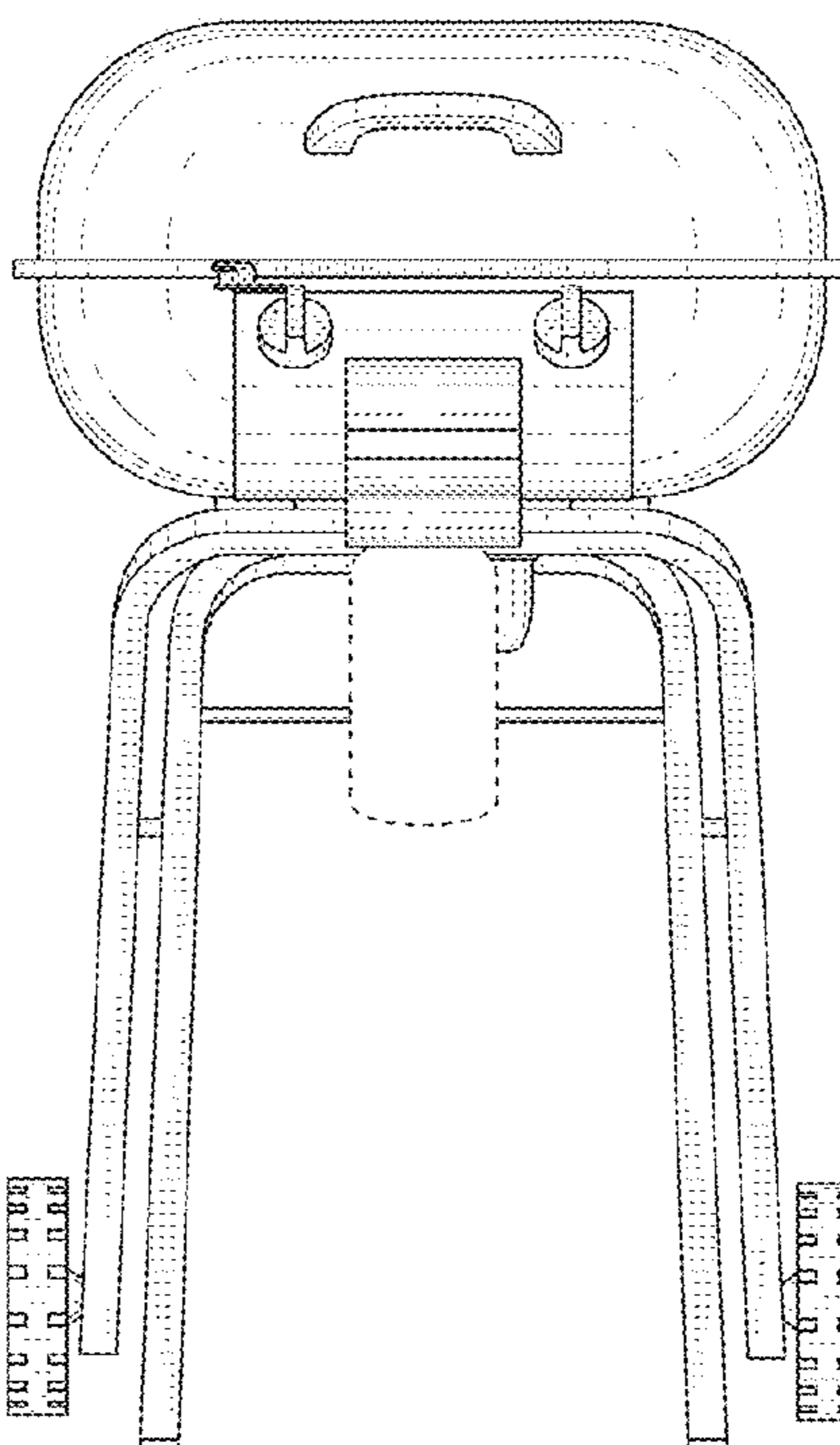
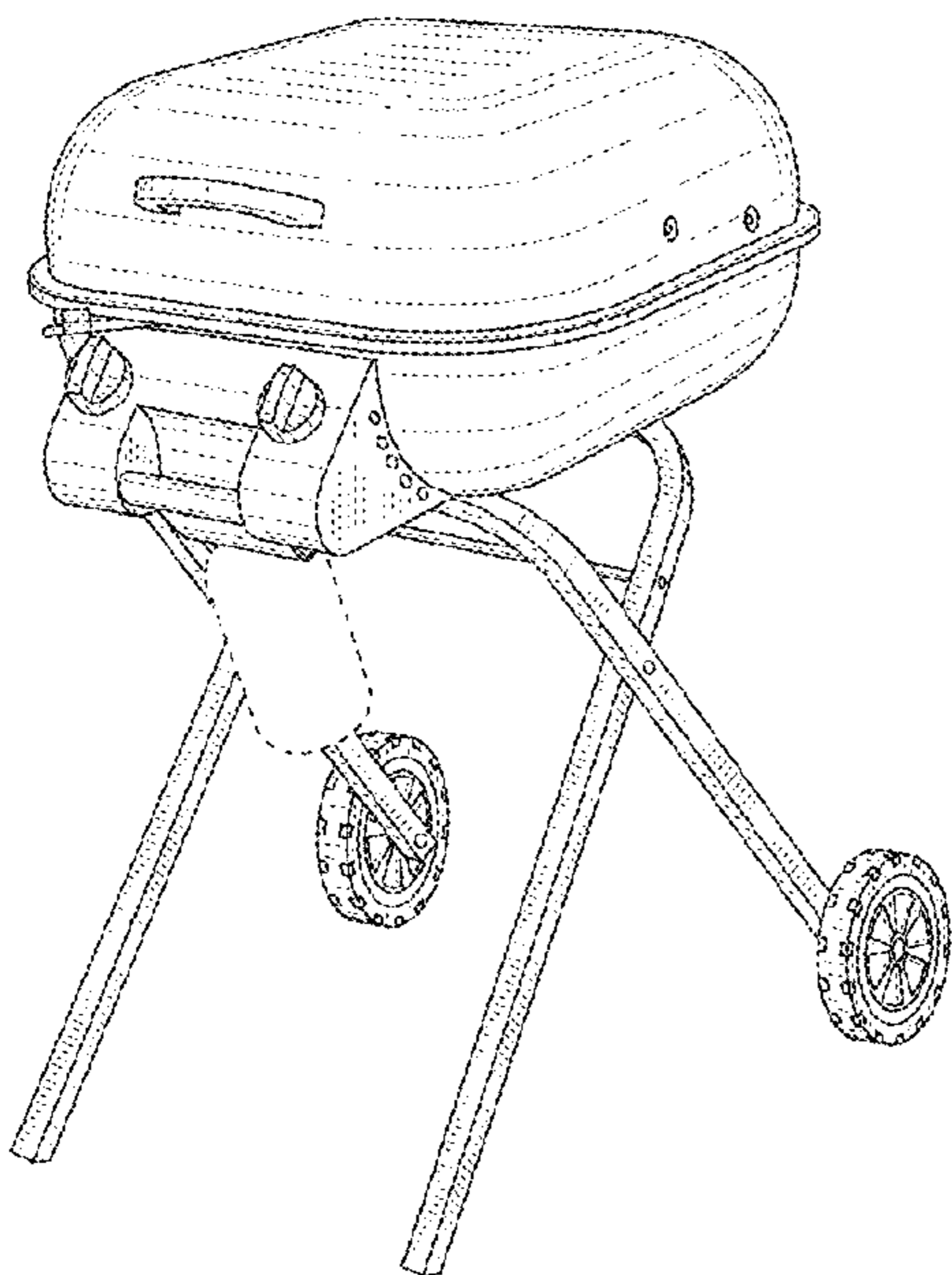
FIG. 6 is a rear view thereof;

FIG. 7 is a bottom view thereof; and,

FIG. 8 is a bottom view thereof, in a collapsed configuration.

The details shown in broken lines form no part of the claimed design.

1 Claim, 8 Drawing Sheets



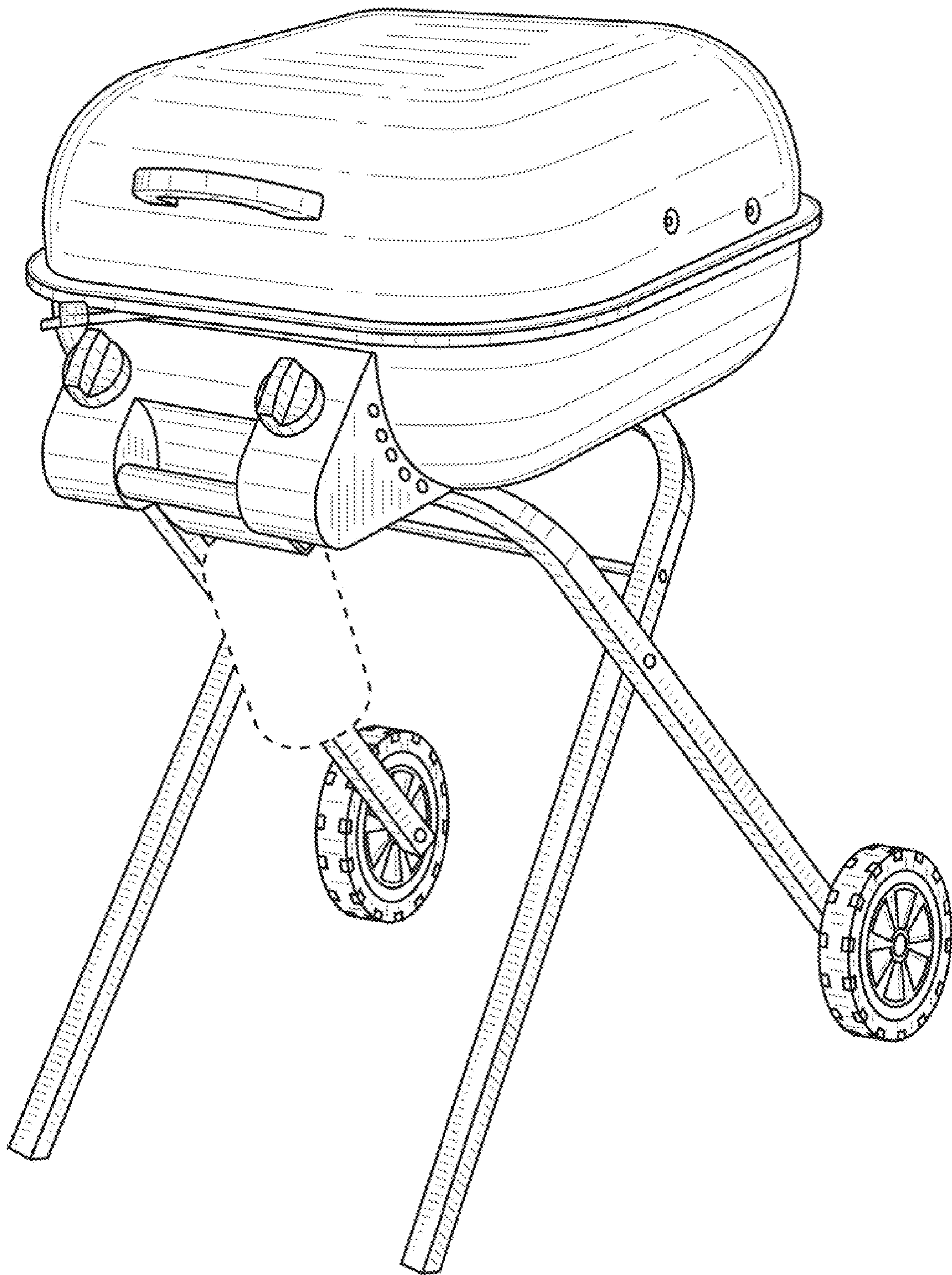


FIG. 1

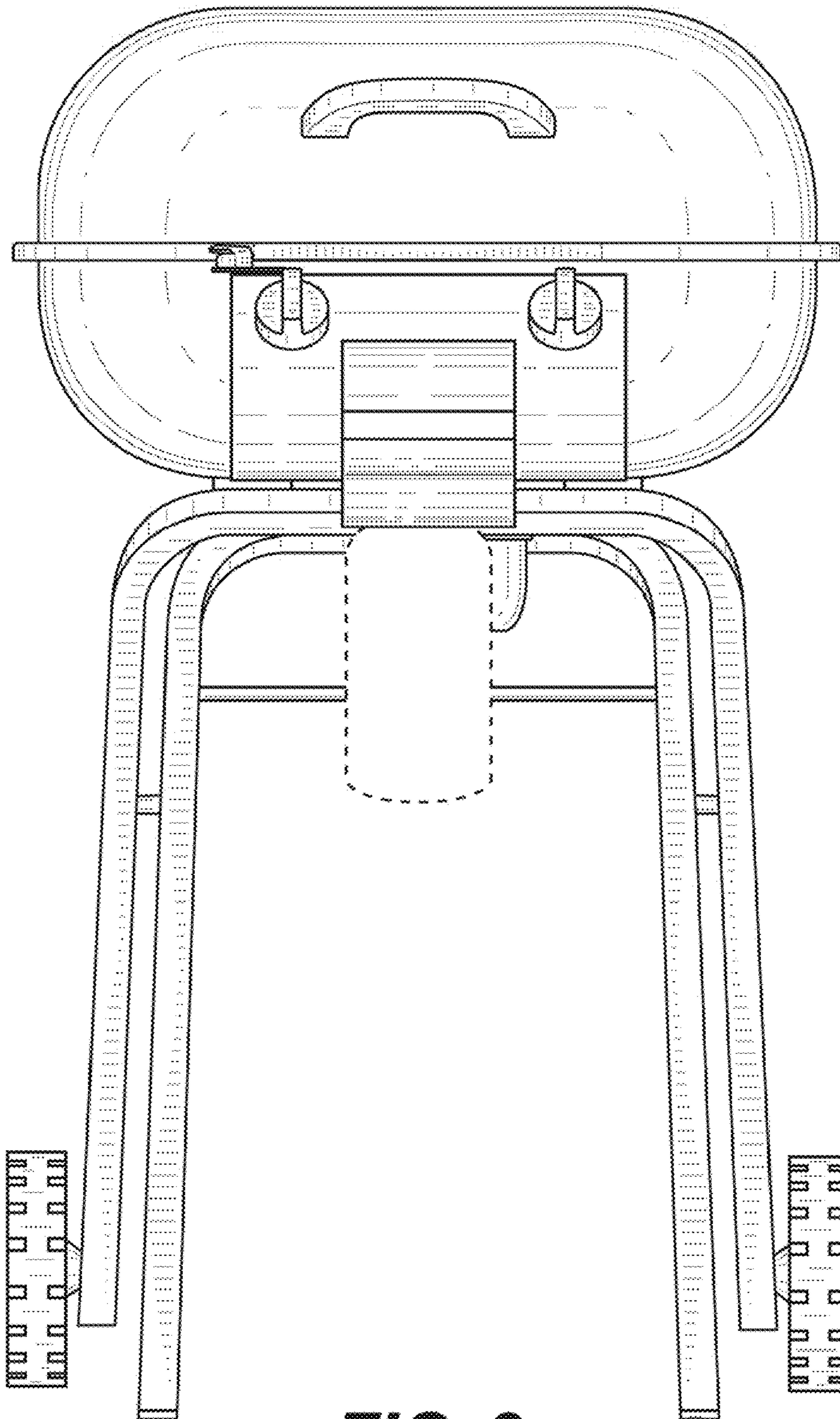


FIG. 2

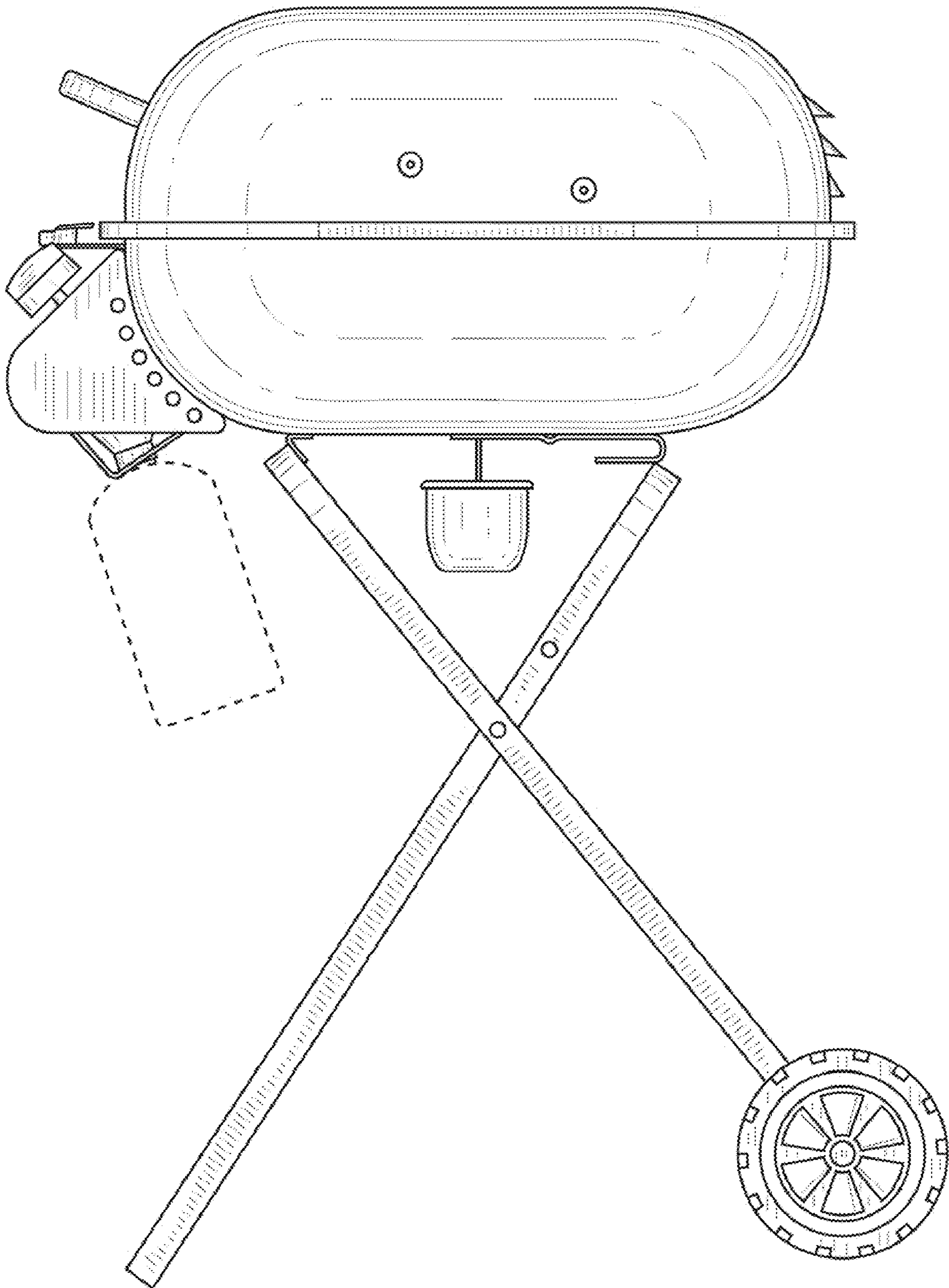


FIG. 3

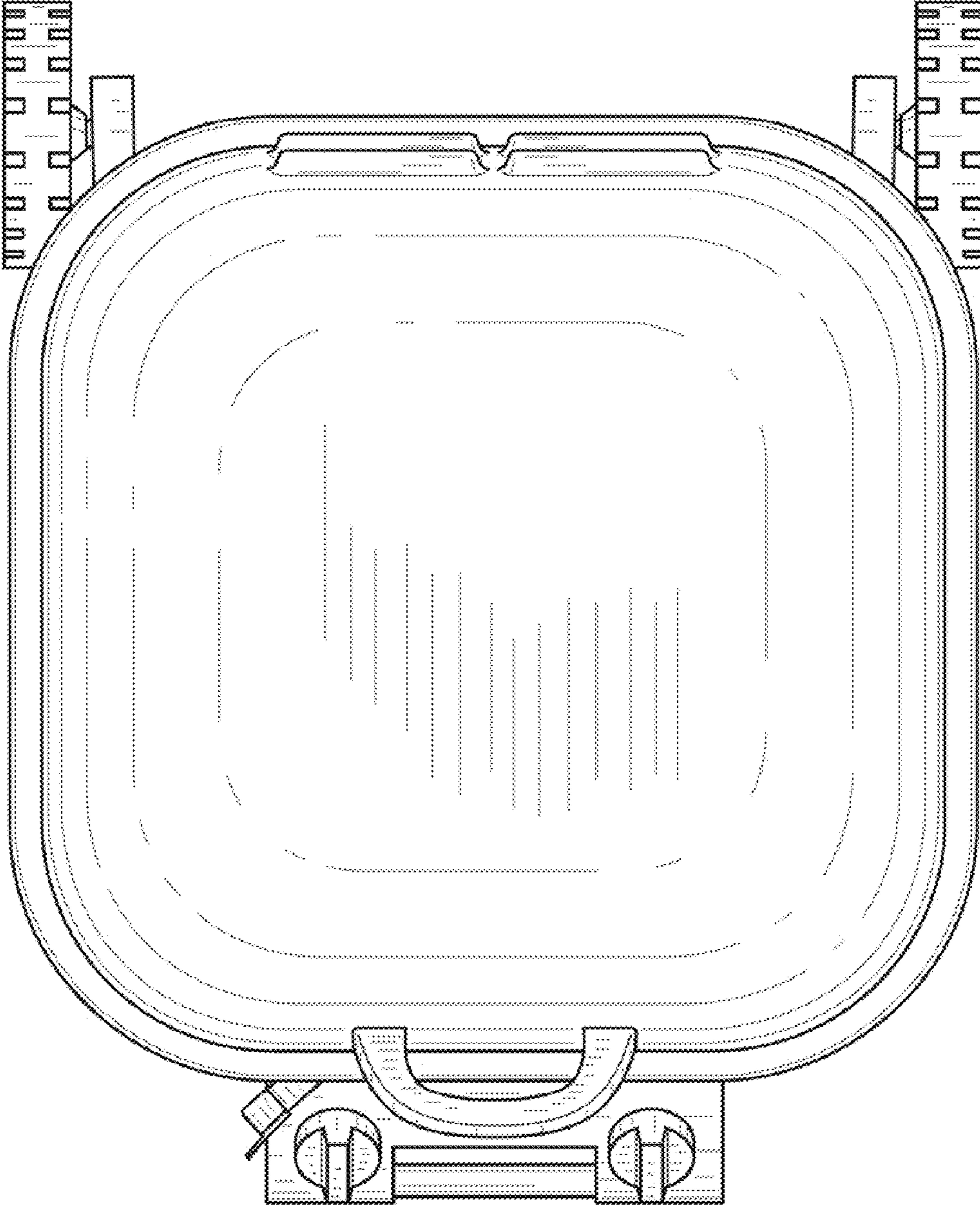


FIG. 4

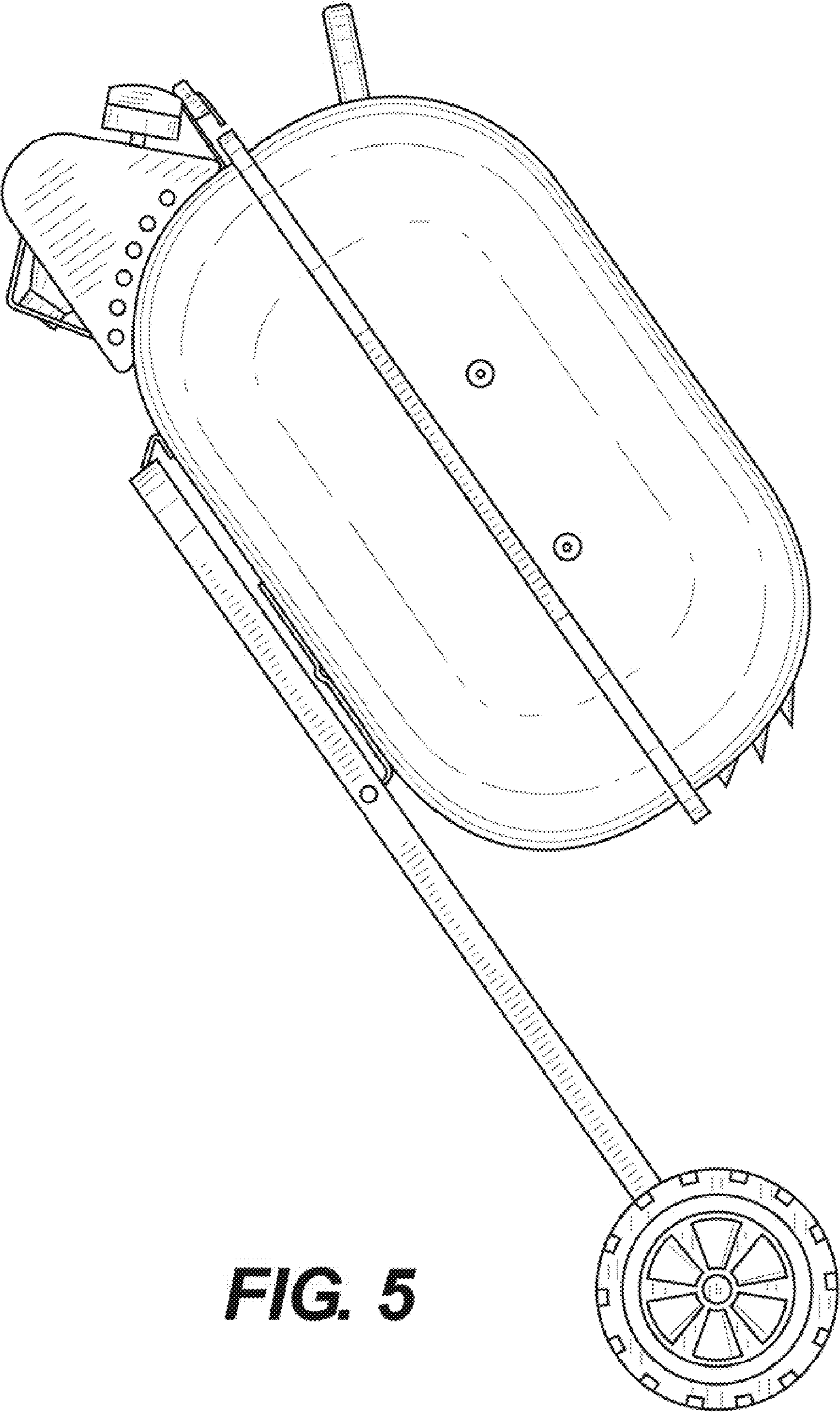


FIG. 5

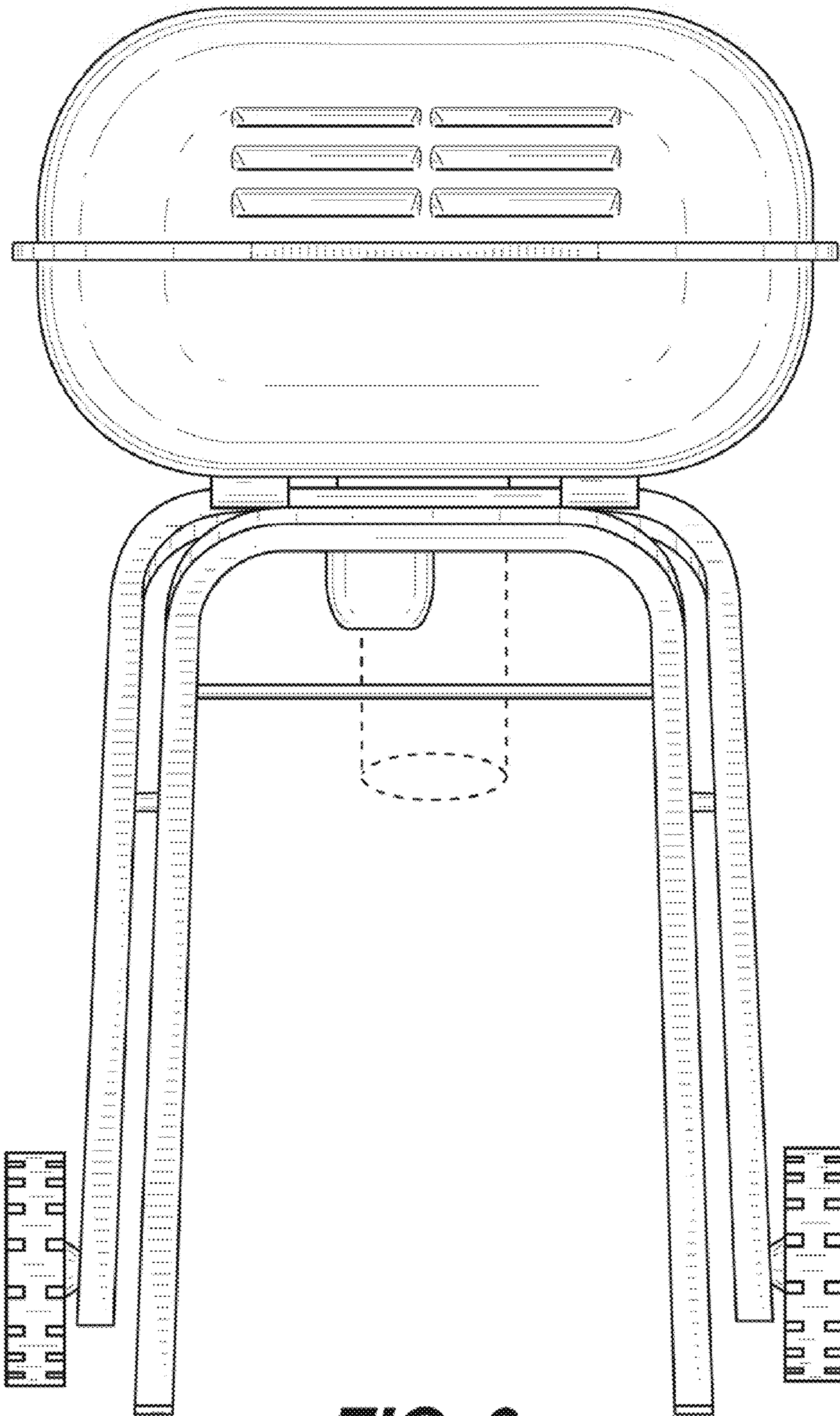


FIG. 6

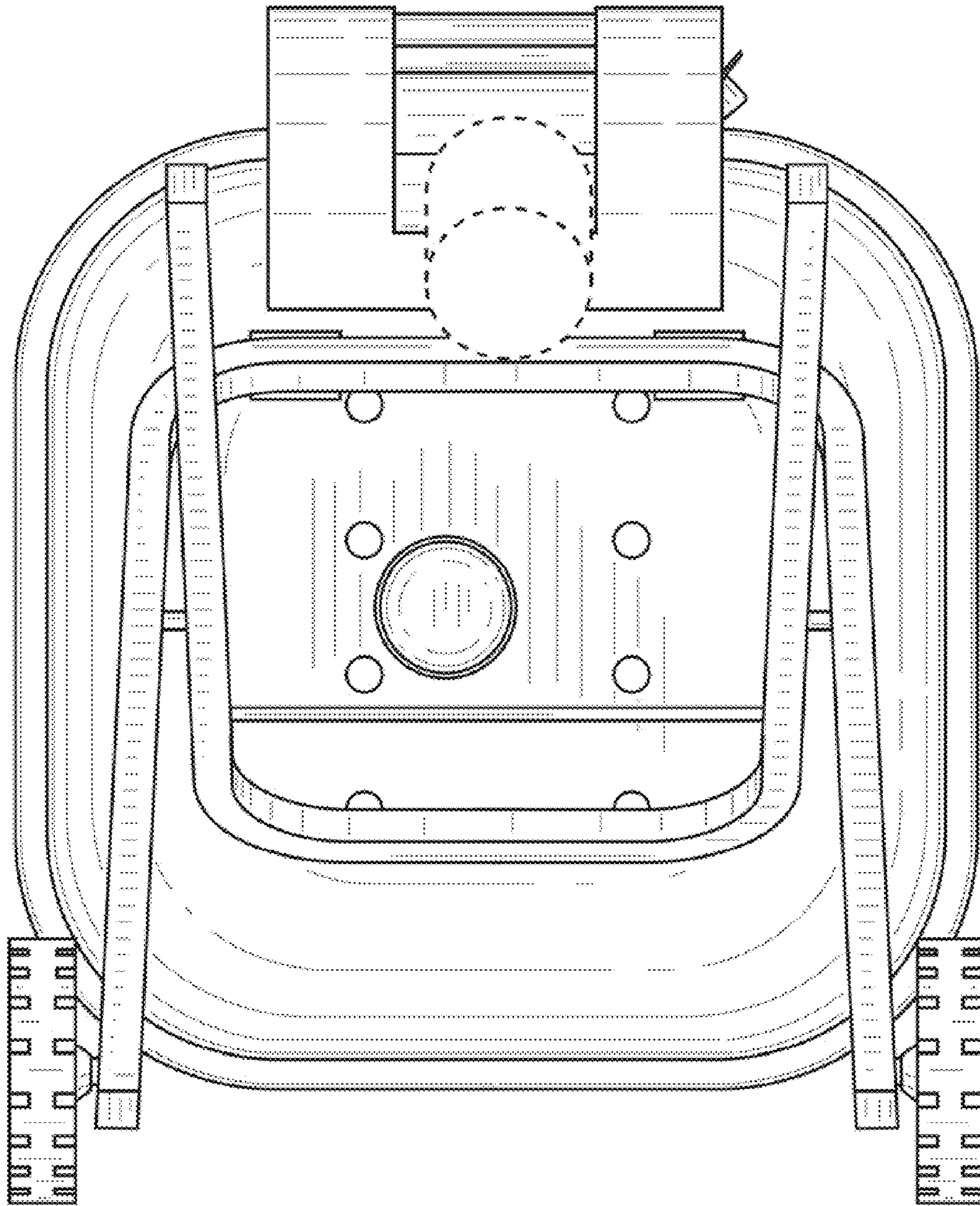


FIG. 7

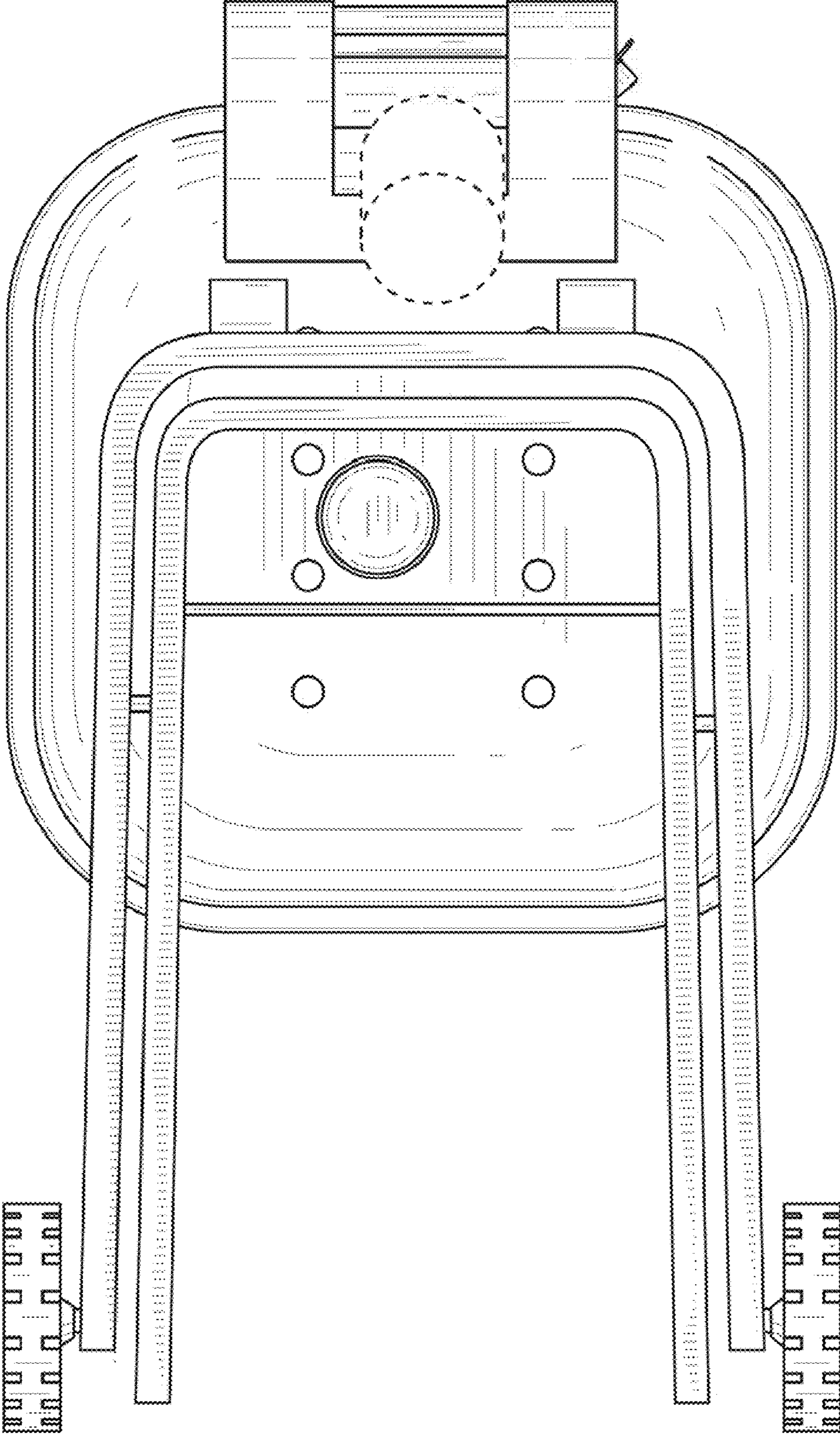


FIG. 8