



US00D623002S

(12) **United States Design Patent**
Minshall et al.

(10) **Patent No.:** **US D623,002 S**

(45) **Date of Patent:** **** Sep. 7, 2010**

(54) **PORTION OF A BARBECUE**

(75) Inventors: **Patrick Minshall**, Caledon (CA);
Sydney Barkhouse, Oakville (CA);
Shawn Long, Orangeville (CA); **Orrin Bowser**, Barrie (CA)

(73) Assignee: **Wolfedale Engineering Limited**,
Ontario (CA)

(**) Term: **14 Years**

(21) Appl. No.: **29/329,595**

(22) Filed: **Dec. 18, 2008**

(30) **Foreign Application Priority Data**

Nov. 17, 2008 (CA) 128629

(51) **LOC (9) Cl.** **07-02**

(52) **U.S. Cl.** **D7/334**

(58) **Field of Classification Search** D7/332,
D7/334-337, 402-406; 126/25 R, 9 R, 37 R,
126/41 R, 40, 42, 50, 9 A, 9 B, 299 C, 98,
126/201, 43-44, 48, 38

See application file for complete search history.

(56) **References Cited**

U.S. PATENT DOCUMENTS

- D528,848 S * 9/2006 Chung D7/334
- D533,010 S * 12/2006 Pai D7/334
- D533,011 S * 12/2006 Pai D7/334
- D538,593 S * 3/2007 McKenzie D7/402
- D542,089 S * 5/2007 McKenzie D7/402

- D546,116 S * 7/2007 Tseng D7/334
- D546,622 S * 7/2007 McKenzie D7/402
- D546,624 S * 7/2007 Pai D7/406
- D559,619 S * 1/2008 McKenzie D7/402
- D560,418 S * 1/2008 Chau et al. D7/334
- D560,419 S * 1/2008 Lockhart et al. D7/334
- D563,150 S * 3/2008 Chau et al. D7/334
- D571,142 S * 6/2008 Chung D7/334
- D571,602 S * 6/2008 Chung D7/334
- D571,604 S * 6/2008 Chung D7/334
- D581,199 S * 11/2008 Chau D7/334
- D582,715 S * 12/2008 Pai D7/334
- D584,562 S * 1/2009 Chau et al. D7/334
- D609,045 S * 2/2010 Bruno et al. D7/334

* cited by examiner

Primary Examiner—Ruth McInroy

(74) *Attorney, Agent, or Firm*—Knoble Yoshida & Dunleavy,
LLC

(57) **CLAIM**

The ornamental design for a “portion of a barbecue,” as shown and described.

DESCRIPTION

FIG. 1 is an isometric view of a portion of a barbecue showing our new design;

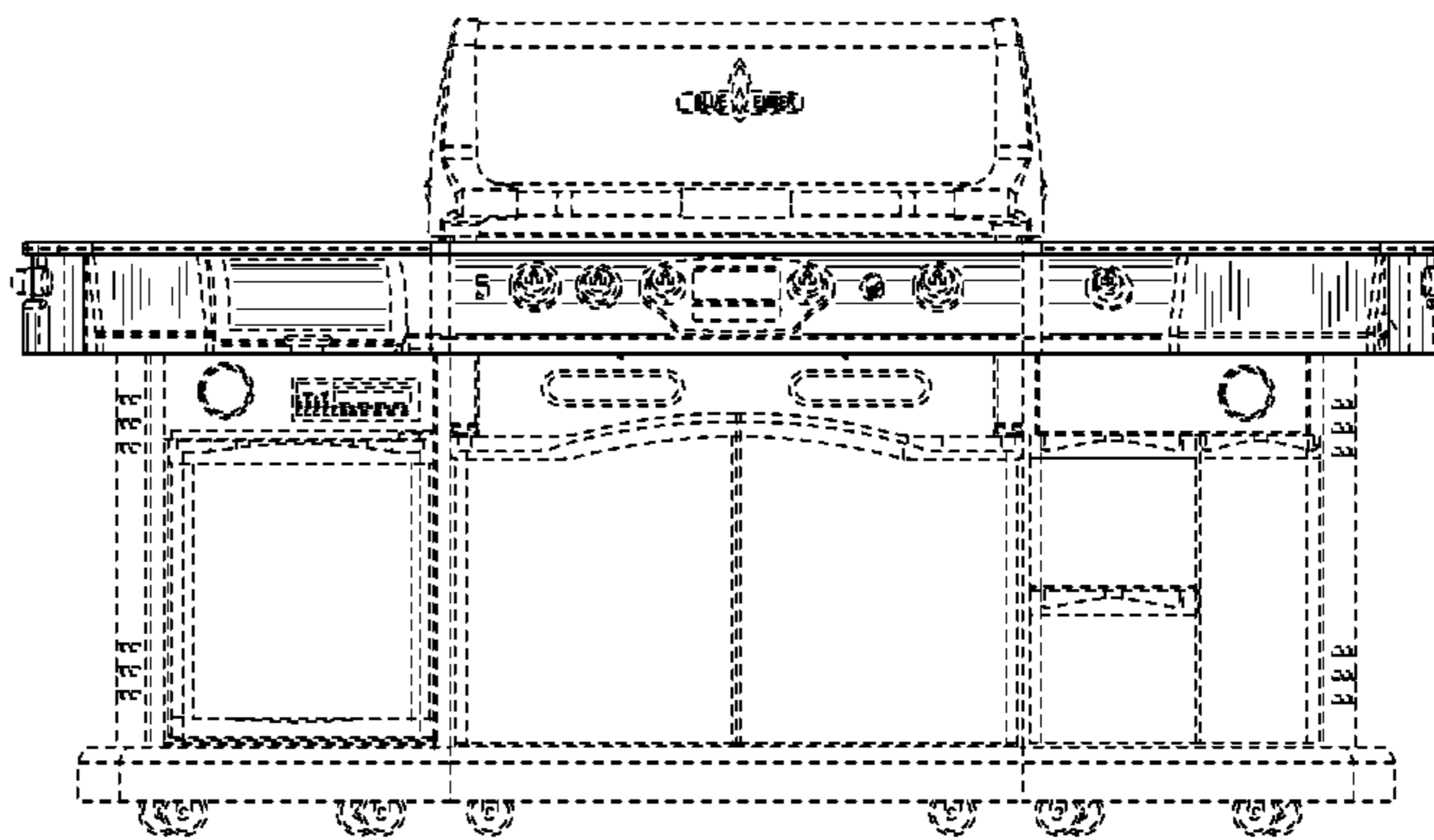
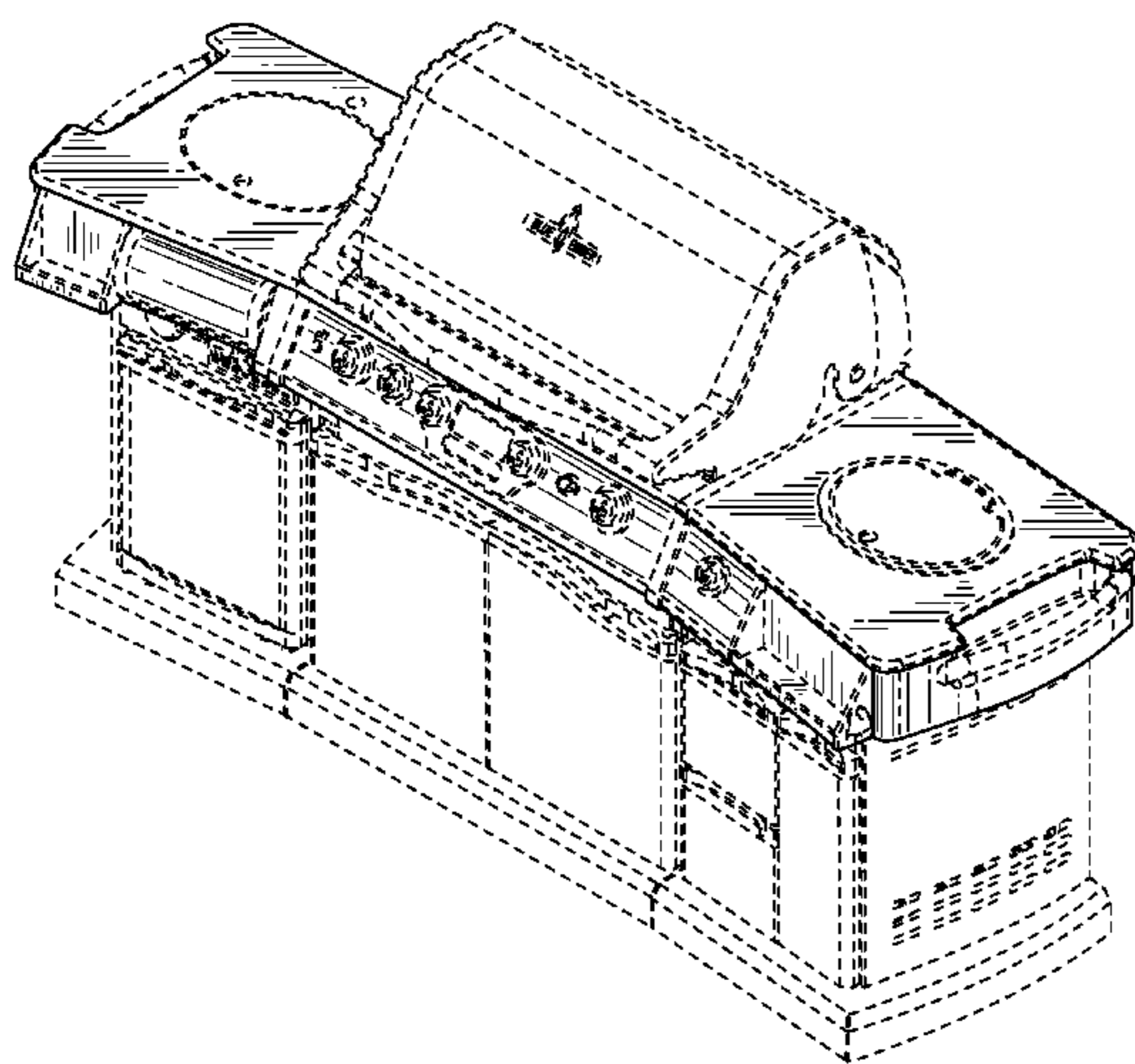
FIG. 2 is a front view thereof;

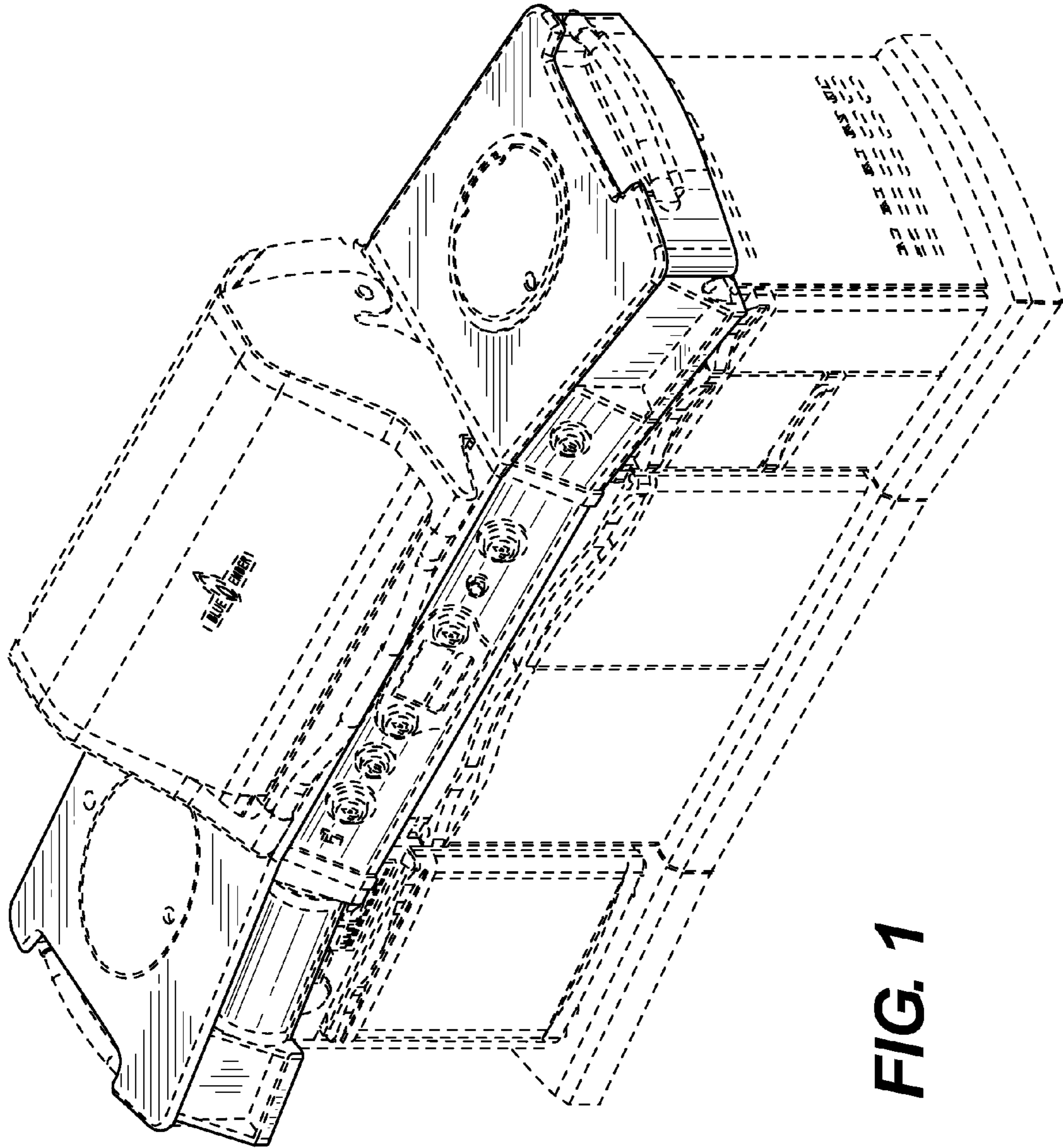
FIG. 3 is a top plan view thereof; and,

FIG. 4 is a side elevation view thereof.

The details shown in broken lines form no part of the claimed design.

1 Claim, 4 Drawing Sheets





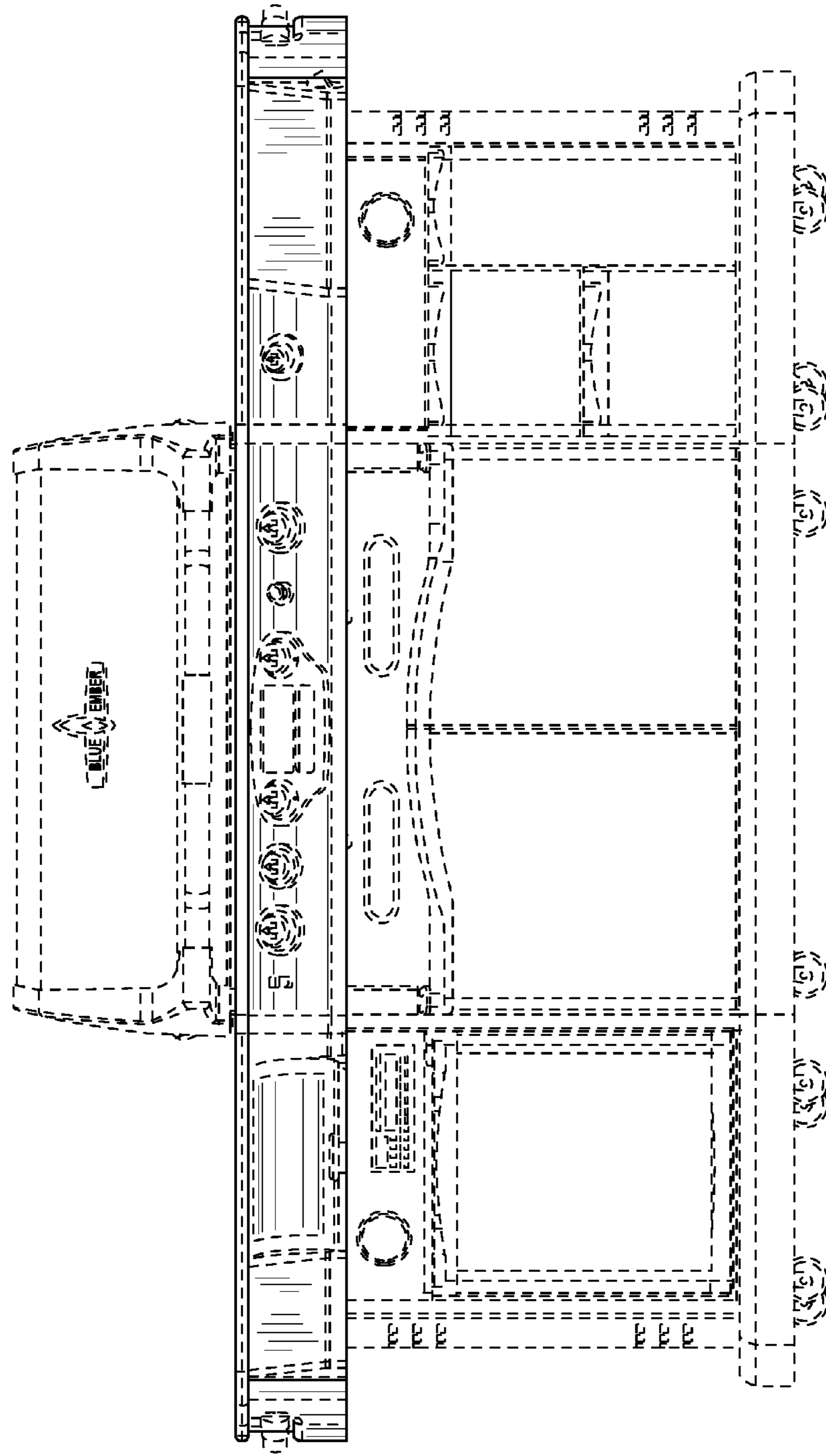


FIG. 2

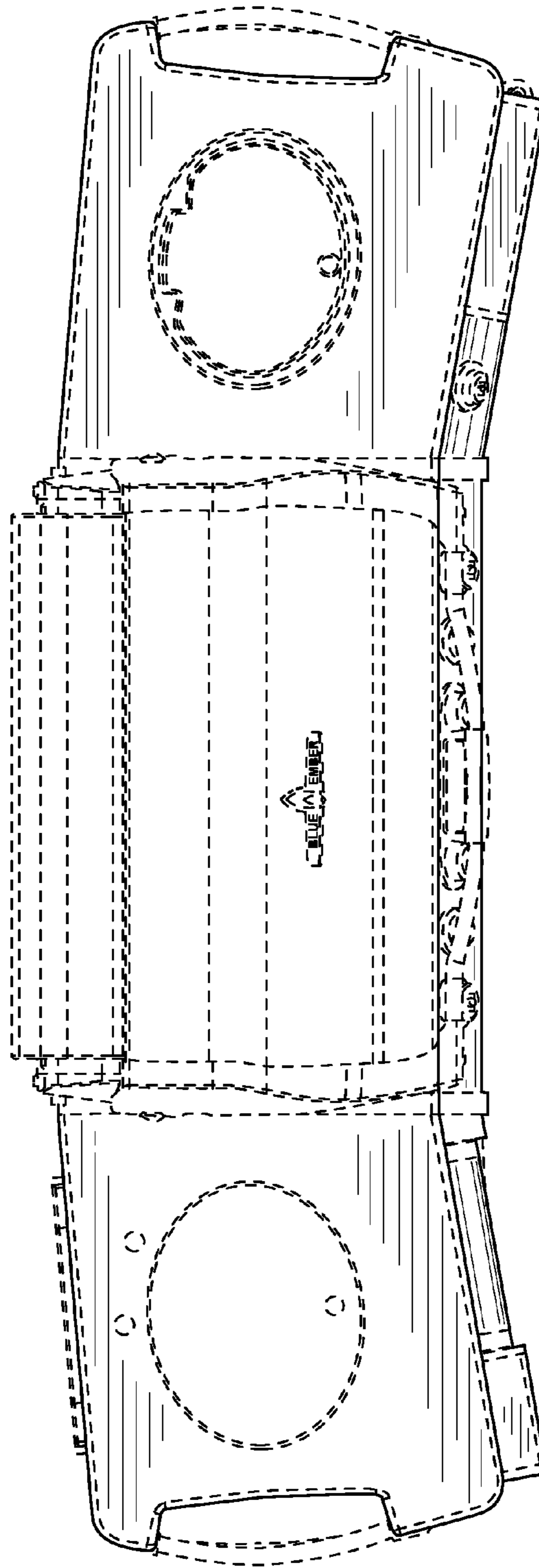


FIG. 3

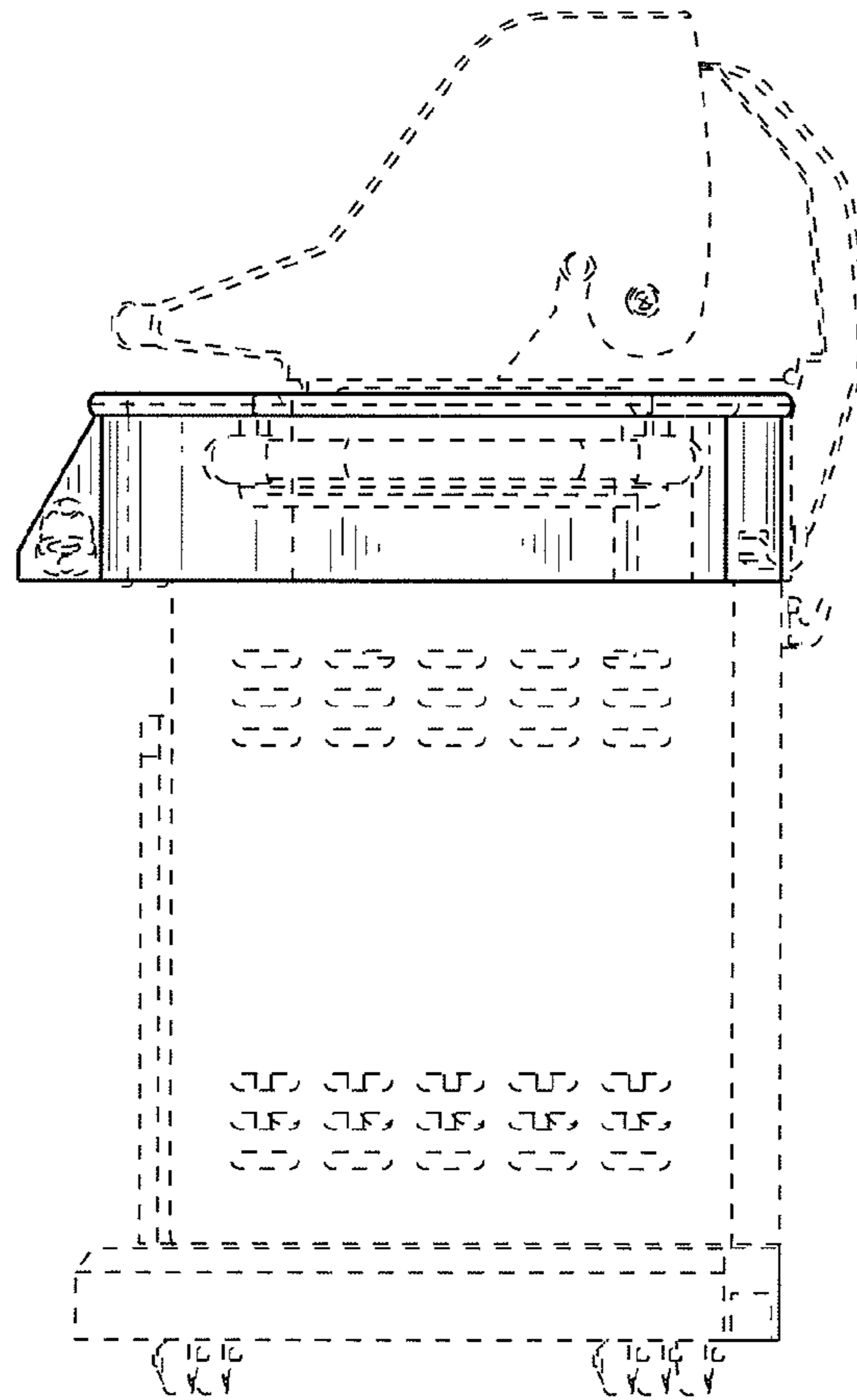


FIG. 4