



US00D623001S

(12) **United States Design Patent**
Lovay

(10) **Patent No.:** **US D623,001 S**
(45) **Date of Patent:** **** *Sep. 7, 2010**

(54) **BARBEQUE GRILL SHAPED LIKE TEXAS**

D497,334 S 10/2004 Elwell et al.
D506,621 S 6/2005 Brown

(75) Inventor: **Michael Anthony Lovay**, New Braunfels, TX (US)

(73) Assignee: **Star Manufacturing GP, LLC**, San Antonio, TX (US)

(*) Notice: This patent is subject to a terminal disclaimer.

(**) Term: **14 Years**

(21) Appl. No.: **29/258,404**

(22) Filed: **Apr. 20, 2006**

(51) **LOC (9) Cl.** **07-02**

(52) **U.S. Cl.** **D7/334**

(58) **Field of Classification Search** D7/332-337,
D7/402-405, 352, 353; 126/519, 25 R, 25 A,
126/25 AA, 41 R, 29, 30, 9 R, 38, 37 R, 40,
126/50, 250; 99/444-445, 448, 481-482,
99/372, 375, 250, 389

See application file for complete search history.

(56) **References Cited**

U.S. PATENT DOCUMENTS

D226,540 S *	3/1973	Dushek	D7/334
D279,536 S *	7/1985	Braswell	D7/335
D279,853 S *	7/1985	Hamilton, Jr.	D7/334
D282,136 S	1/1986	Skermetta		
D388,277 S *	12/1997	Scroggins	D7/332
D418,447 S	1/2000	Meurer		
D488,674 S	4/2004	O'Neill		
D492,624 S	7/2004	Elwell et al.		
D492,625 S	7/2004	Elwell et al.		
D497,333 S	10/2004	Elwell et al.		

OTHER PUBLICATIONS

Texas Correctional Industries, Texas Shaped Grill, http://www.tci.tdcj.state.tx.us/products/metal/park/grill_texas.aspx (3 of 7 attached).

Texas Shaped Grill, <http://www.lightrainproductions.com/PhotoGalleryEleven.htm> (4 of 7 attached).

Lone Star Fire Pits, Big Tex Fire Pit, http://lonestarfirerpits.com/_wsn/page2.html (5 of 7 attached).

Texas Grill Gear, Texas Shaped Pepper Cookers, http://www.hartboergoats.com/Tejas_Grill_Gear.htm (6 of 7 attached).

Heinsohn's Country Store, Chile Grill—Texas style, <http://www.texastastes.com/chilegrills.htm> (7 of 7 attached).

* cited by examiner

Primary Examiner—Ruth McInroy

(57) **CLAIM**

The ornamental design for a barbeque grill shaped like Texas, as shown and described.

DESCRIPTION

FIG. 1 is a front perspective view of a barbeque grill shaped like Texas showing my new design;

FIG. 2 is a rear perspective view thereof;

FIG. 3 is a front elevational view thereof;

FIG. 4 is a rear elevational view thereof;

FIG. 5 is a side elevational view thereof, the opposite side being a mirror image;

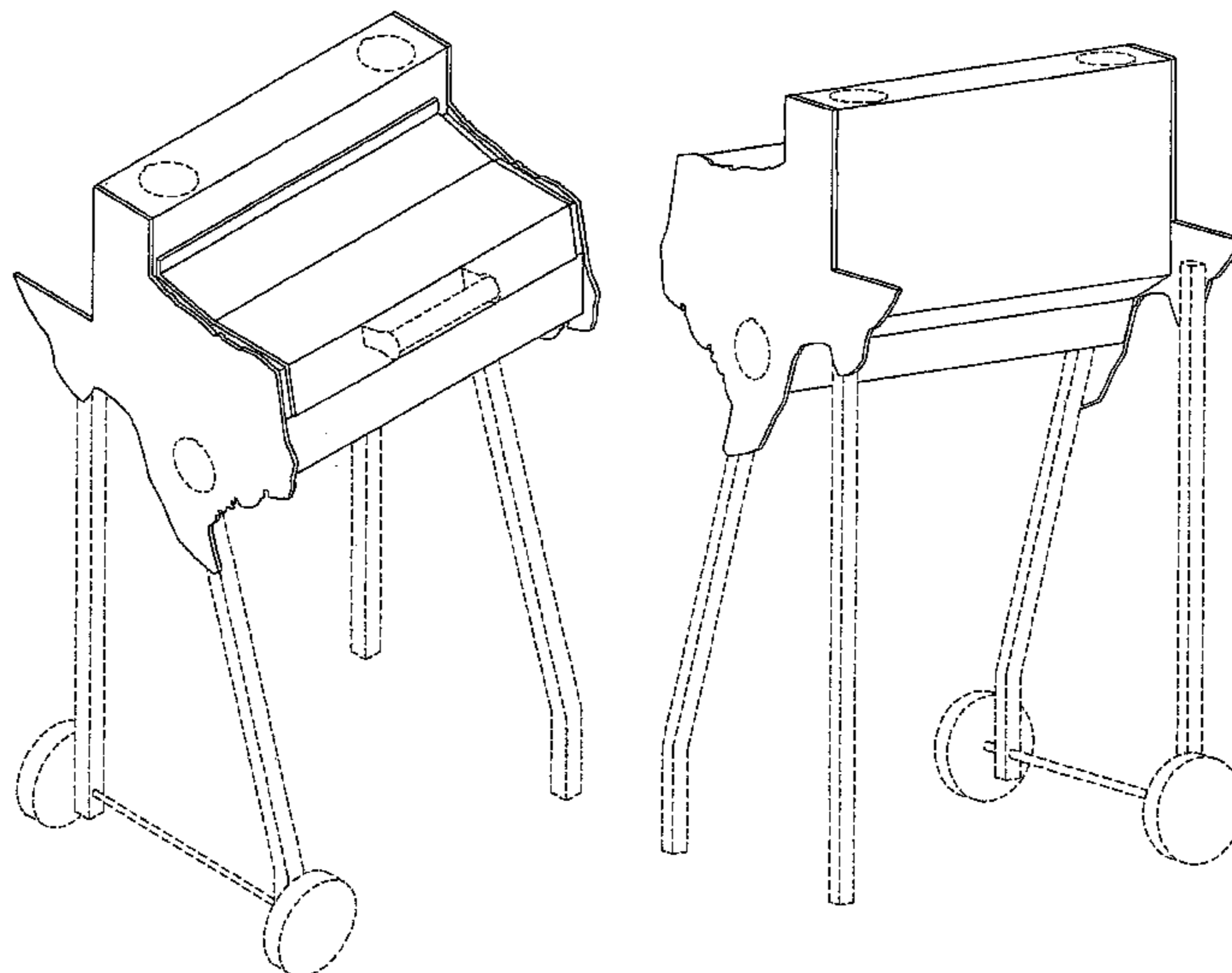
FIG. 6 is a top plan view thereof;

FIG. 7 is a bottom plan view thereof; and,

FIG. 8 is a sectional view taken along line 8—8 in FIG. 3.

The details shown in broken lines in all views are for illustrative purposes only and form no part of the claimed design.

1 Claim, 7 Drawing Sheets



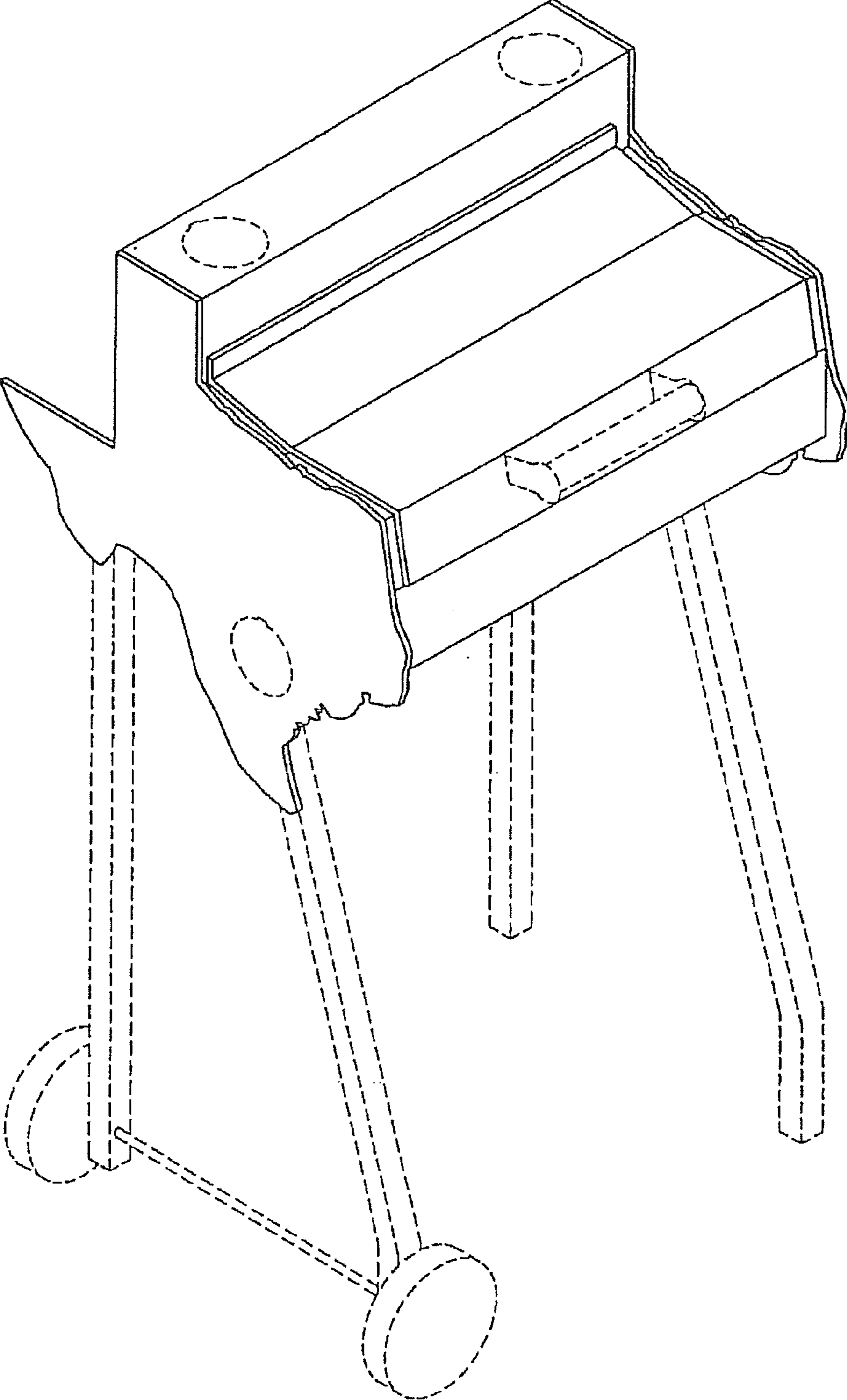


Fig. 1

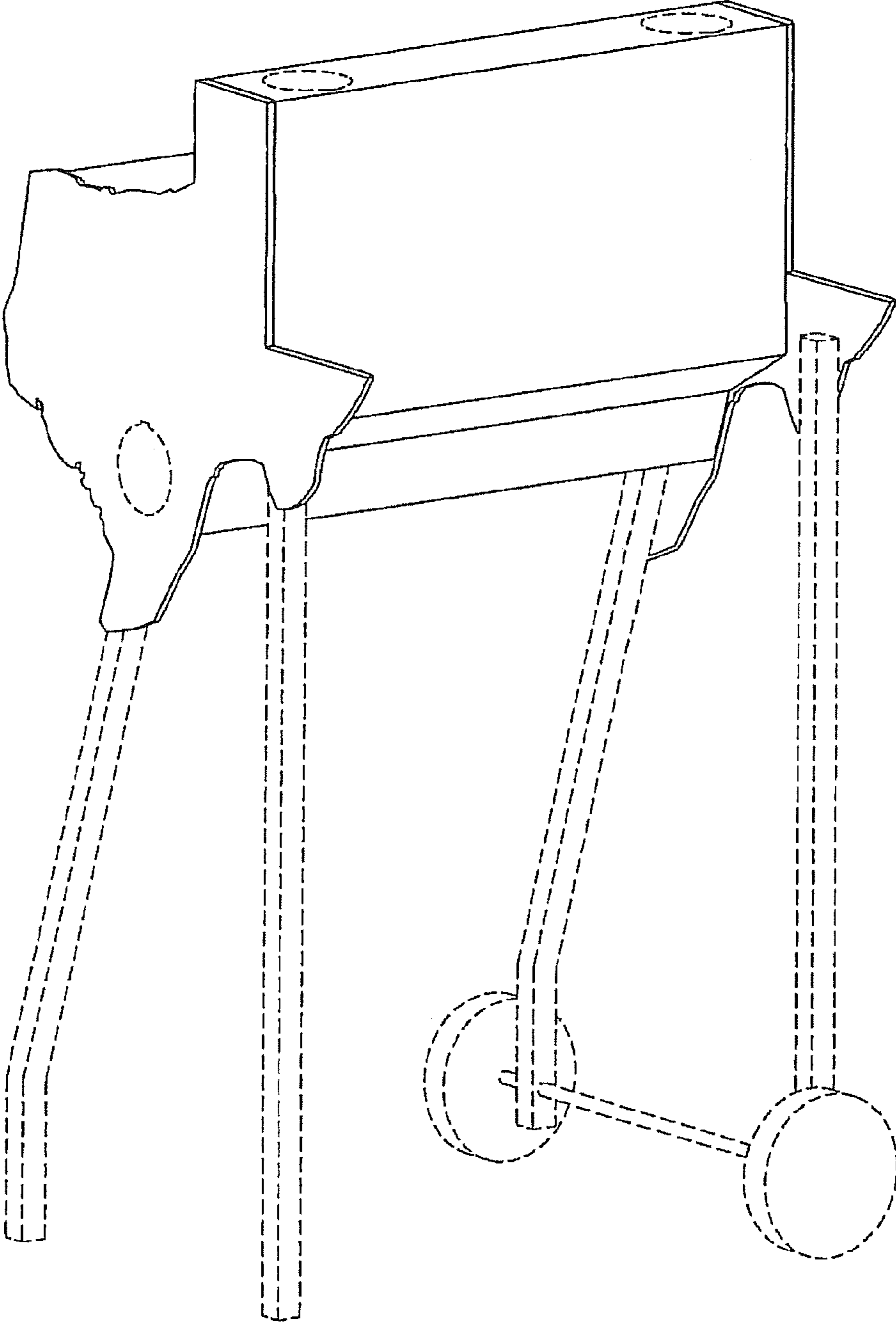


Fig. 2

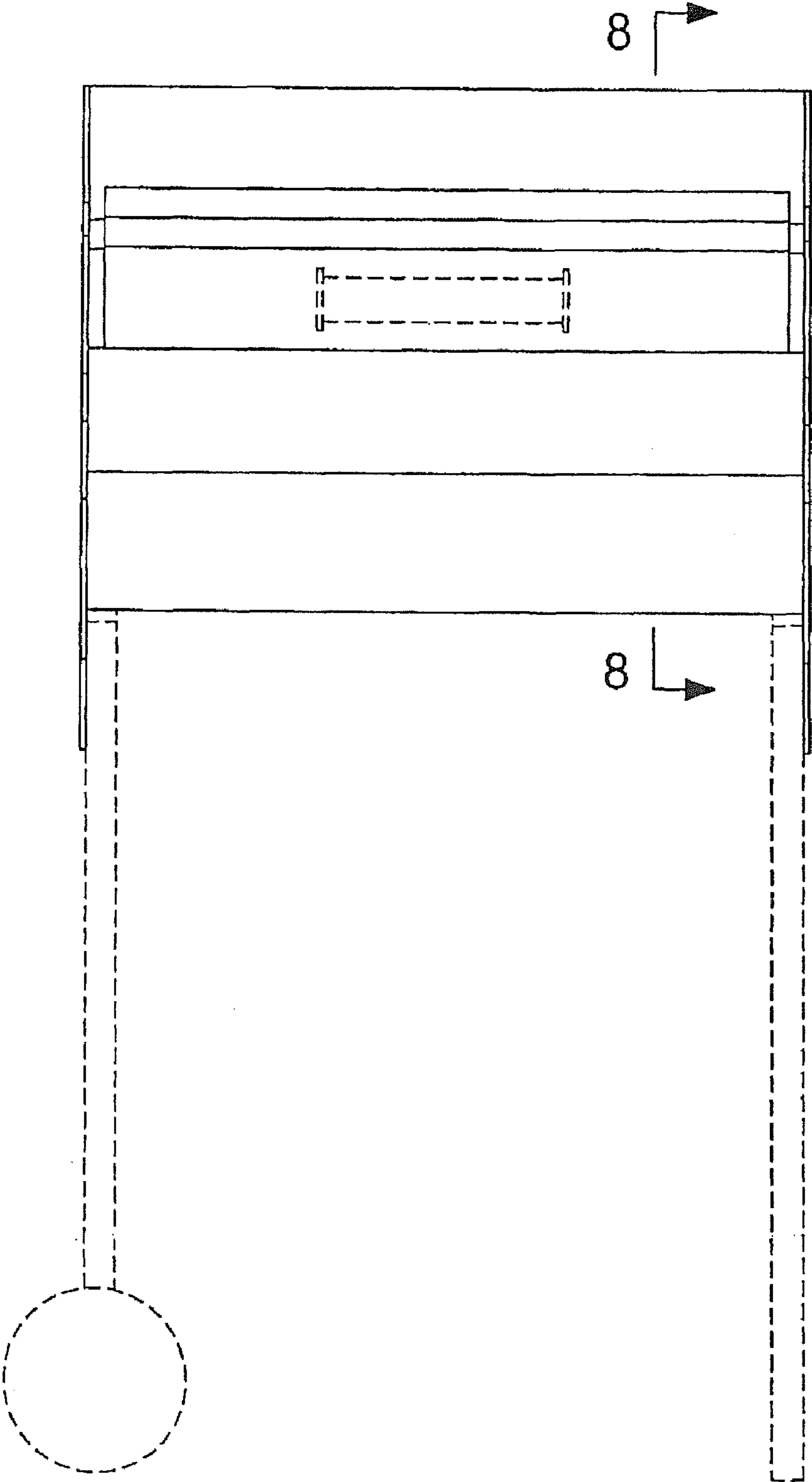


Fig. 3

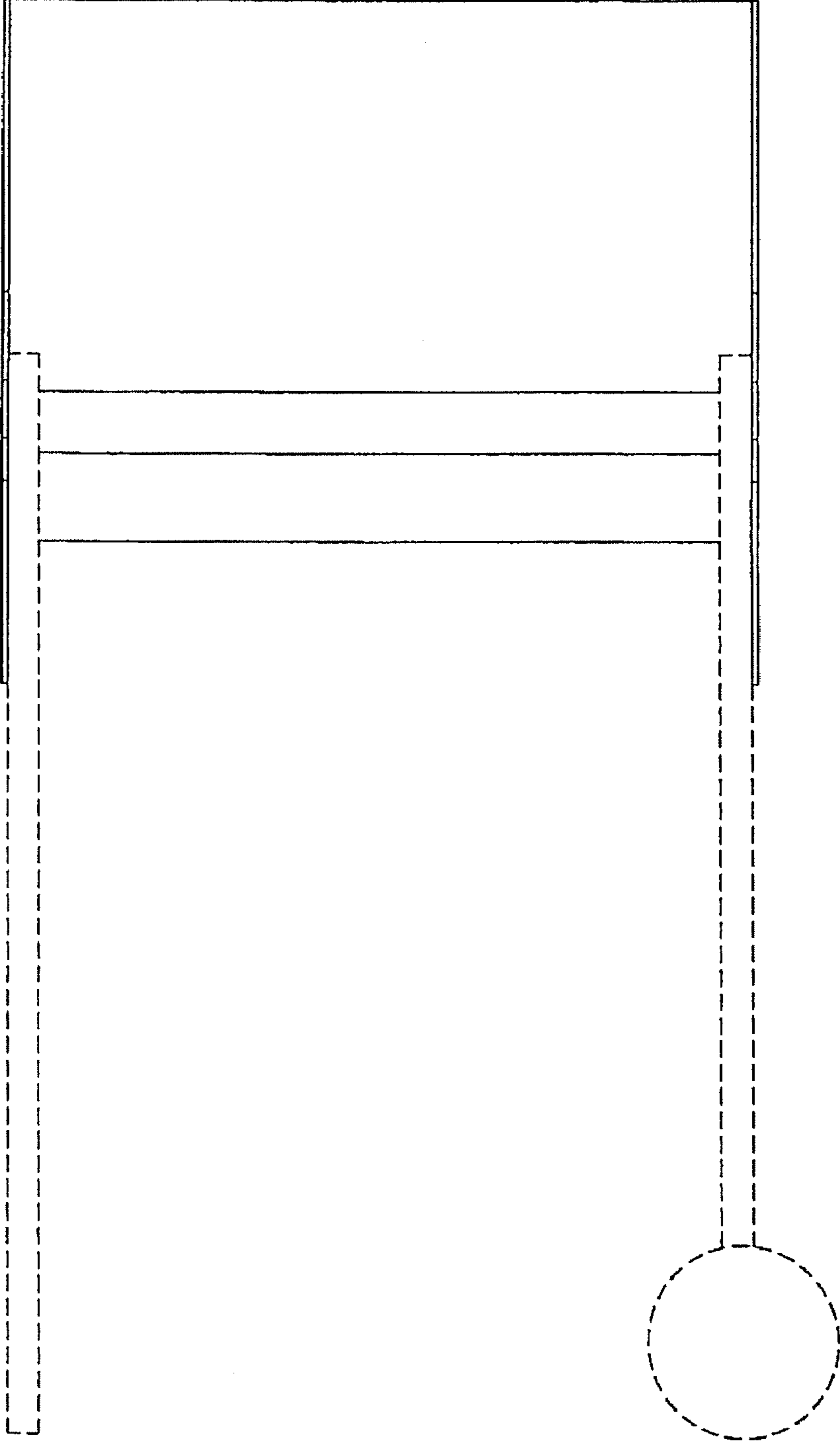


Fig. 4

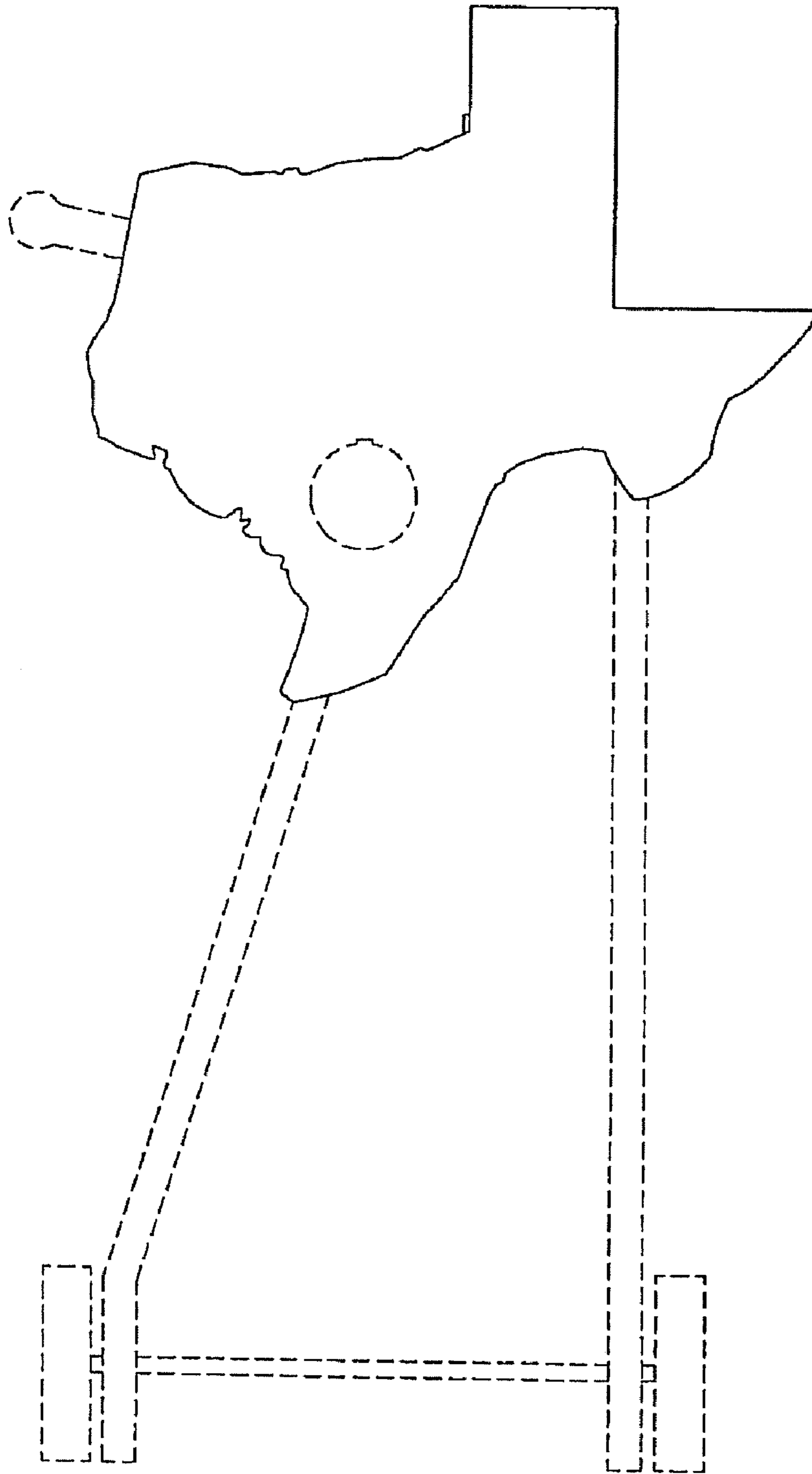


Fig. 5

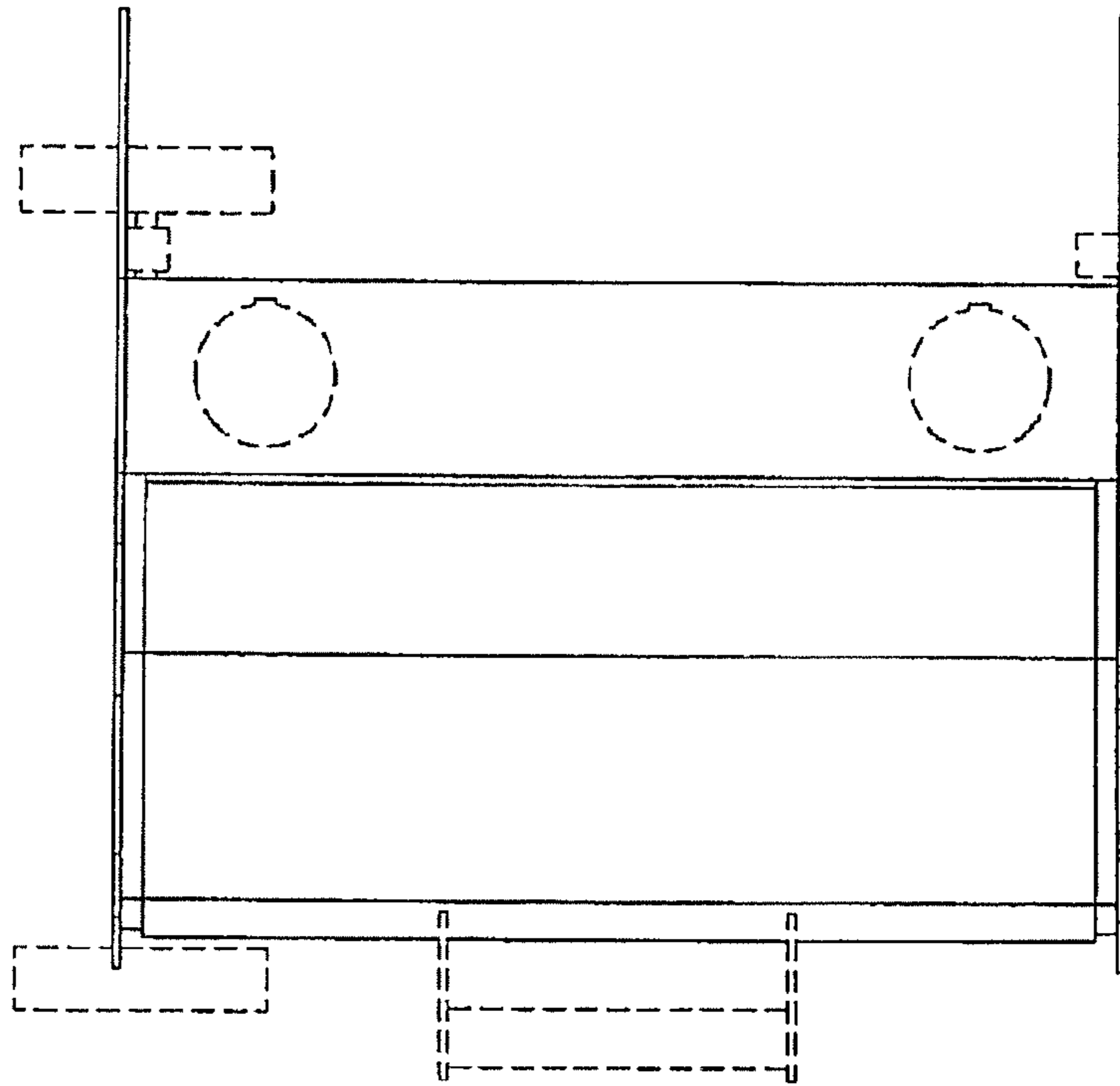


Fig. 6

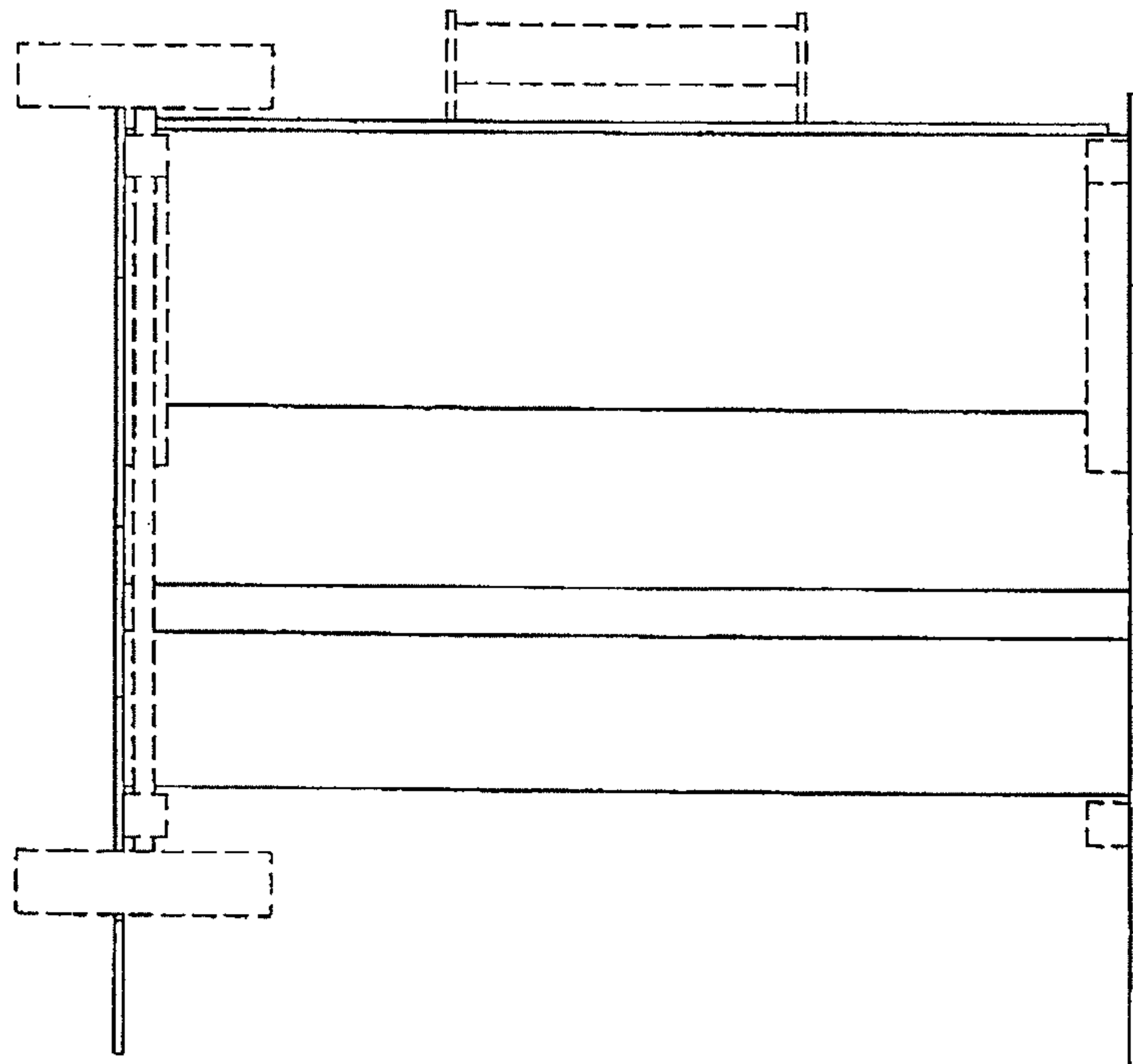


Fig. 7

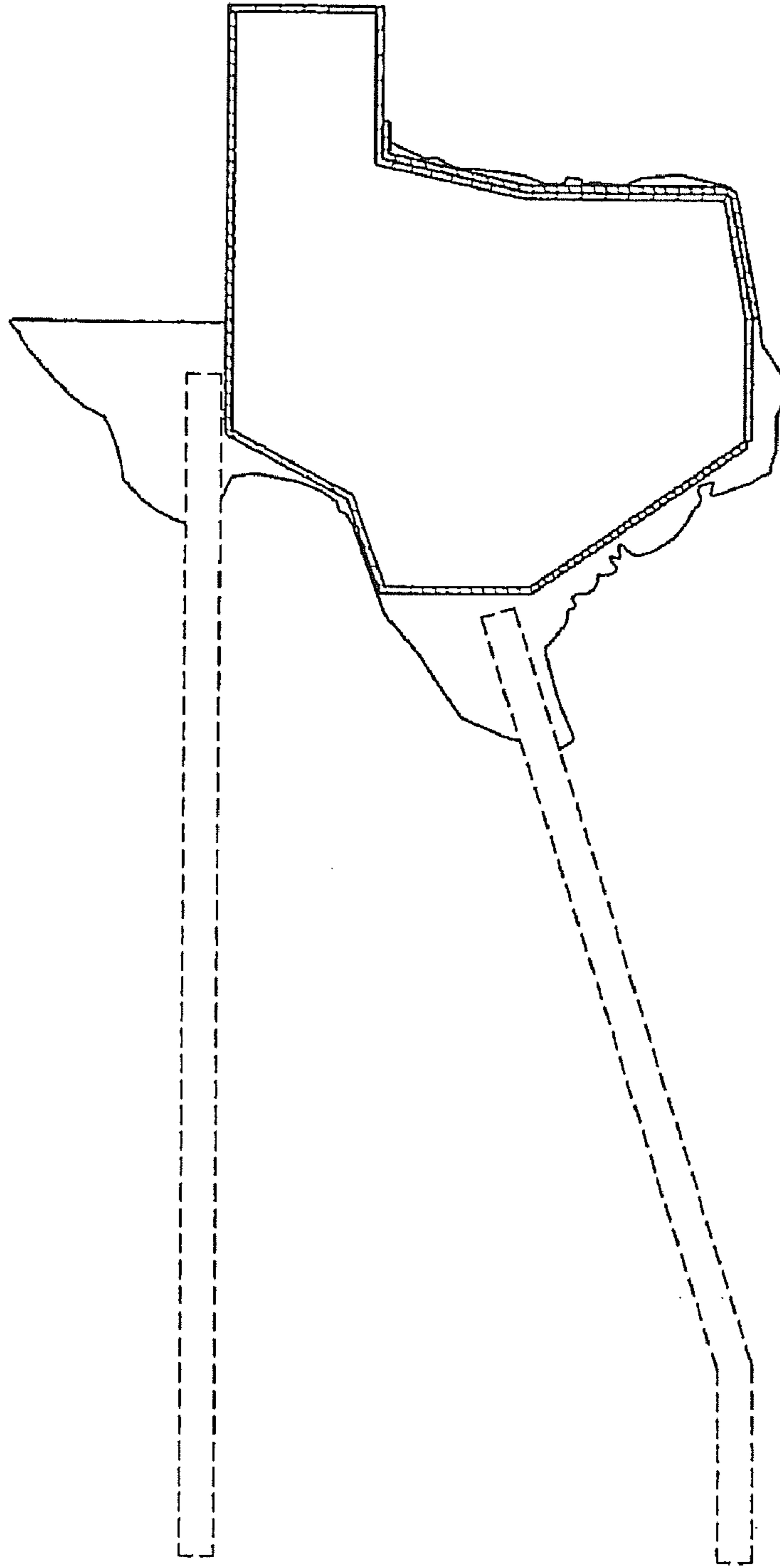


Fig. 8