



US00D622997S

(12) **United States Design Patent**
Wynalda, Jr. et al.

(10) **Patent No.:** **US D622,997 S**
(45) **Date of Patent:** **** Sep. 7, 2010**

(54) **MEDIA DISC STORAGE CONTAINER**

(76) Inventors: **Robert M. Wynalda, Jr.**, P.O. Box 370,
Belmont, MI (US) 49306; **Robert G.
Rajter, Jr.**, P.O. Box 370, Belmont, MI
(US) 49306

(**) Term: **14 Years**

(21) Appl. No.: **29/331,955**

(22) Filed: **Feb. 5, 2009**

(51) **LOC (9) Cl.** **06-04**

(52) **U.S. Cl.** **D6/632**

(58) **Field of Classification Search** D6/632-635,
D6/407; D3/201, 218, 273; 206/18, 307.1,
206/308.1, 308.2, 308.3, 309-312; 312/9.1,
312/902, 9.9; D9/337, 445, 454; D19/420,
D19/426, 432

See application file for complete search history.

(56) **References Cited**

U.S. PATENT DOCUMENTS

- 4,488,644 A 12/1984 Wynalda
- RE32,296 E 11/1986 Wynalda
- 5,096,064 A 3/1992 Rufo
- 5,101,973 A 4/1992 Martinez
- 5,422,875 A 6/1995 Bribach
- D360,360 S * 7/1995 Kiolbasa D9/433
- 5,460,265 A * 10/1995 Kiolbasa 206/308.1
- 5,662,216 A 9/1997 Nesbitt
- 5,669,491 A 9/1997 Pettey
- D387,976 S * 12/1997 Mori D6/634
- 5,735,396 A 4/1998 Condorodis
- 5,819,928 A 10/1998 Wynalda
- D406,002 S * 2/1999 Price D6/634
- 5,960,949 A 10/1999 Wynalda
- D417,974 S * 12/1999 Mori D6/407
- D428,730 S * 8/2000 Farnstrom D6/407
- 6,105,762 A 8/2000 Pettey
- 6,109,432 A 8/2000 Pozzoli
- 6,126,201 A 10/2000 Pace
- D433,808 S * 11/2000 Moorhouse, Sr. D3/303
- D443,435 S * 6/2001 Farnstrom D6/407

- 6,296,112 B1 10/2001 Pettey
- D451,384 S * 12/2001 Faulstich D9/422
- 6,360,887 B1 3/2002 Pettey
- 6,845,865 B2 1/2005 Wynalda
- D514,861 S * 2/2006 Mundy et al. D6/632
- 7,028,835 B1 4/2006 Rajter
- 7,156,288 B2 1/2007 Liddell
- D582,192 S * 12/2008 Pan D6/626
- D599,153 S * 9/2009 Wynalda et al. D6/627
- D599,154 S * 9/2009 Wynalda et al. D6/627
- D599,155 S 9/2009 Wynalda
- D599,156 S * 9/2009 Wynalda et al. D6/627
- 2004/0045843 A1 3/2004 Exline

(Continued)

FOREIGN PATENT DOCUMENTS

WO WO 2009/102993 A2 8/2009

Primary Examiner—Elizabeth A Albert
Assistant Examiner—Kelley A Donnelly
(74) *Attorney, Agent, or Firm*—Zollinger & Burleson Ltd.

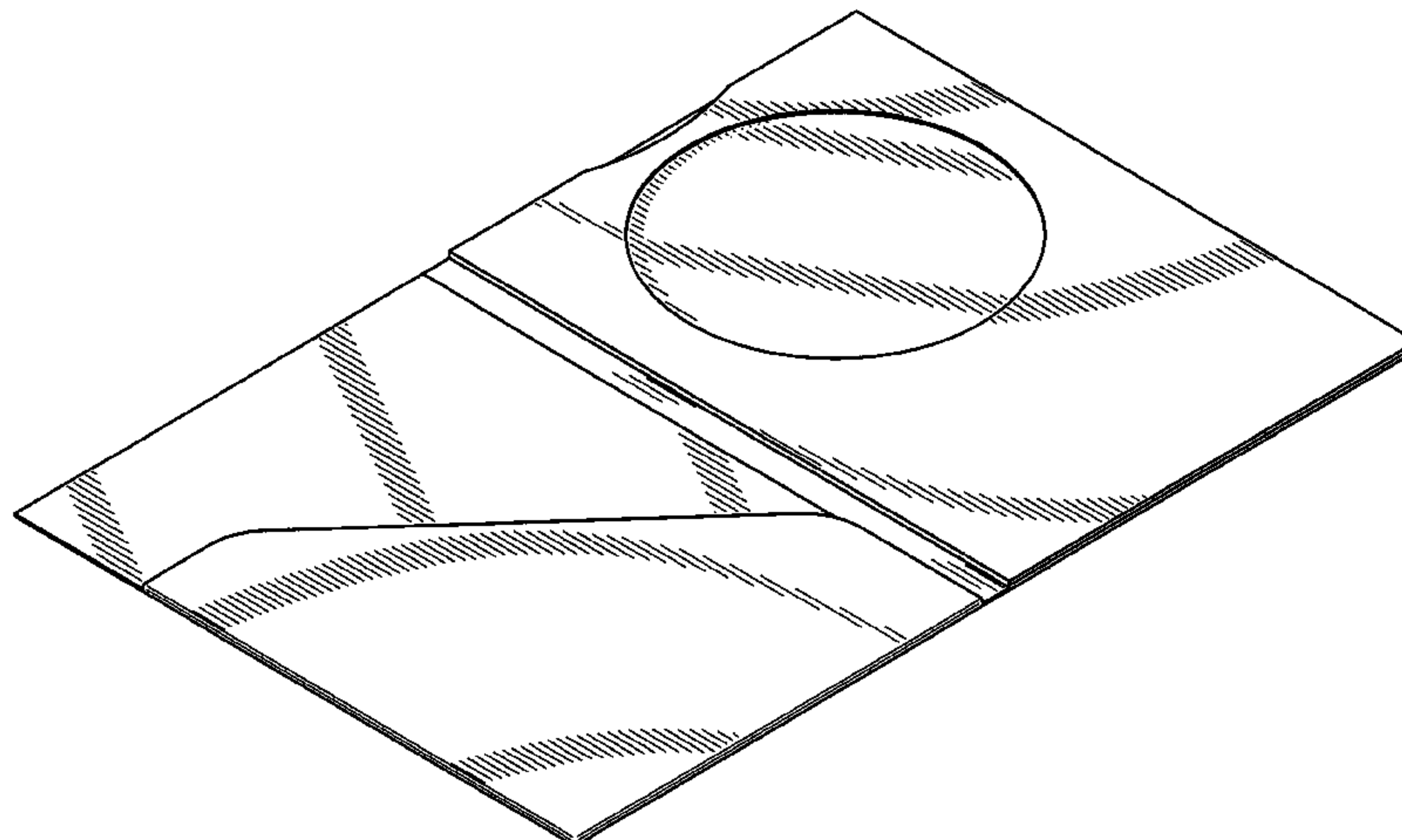
(57) **CLAIM**

The ornamental design for the media disc storage container,
as shown and described.

DESCRIPTION

FIG. 1 is a perspective view of a media disc storage container
in an open configuration;
FIG. 2 is a perspective view of the media disc storage con-
tainer of FIG. 1 in a closed configuration;
FIG. 3 is a front elevation of FIG. 1; and,
FIG. 4 is a rear elevation of FIG. 1.

1 Claim, 4 Drawing Sheets



US D622,997 S

Page 2

U.S. PATENT DOCUMENTS

2007/0251843 A1 11/2007 Wynalda
2008/0017536 A1 1/2008 Wynalda
2008/0083145 A1 4/2008 Wynalda

2009/0194442 A1 8/2009 Wynalda
2009/0288968 A1 11/2009 Wynalda

* cited by examiner

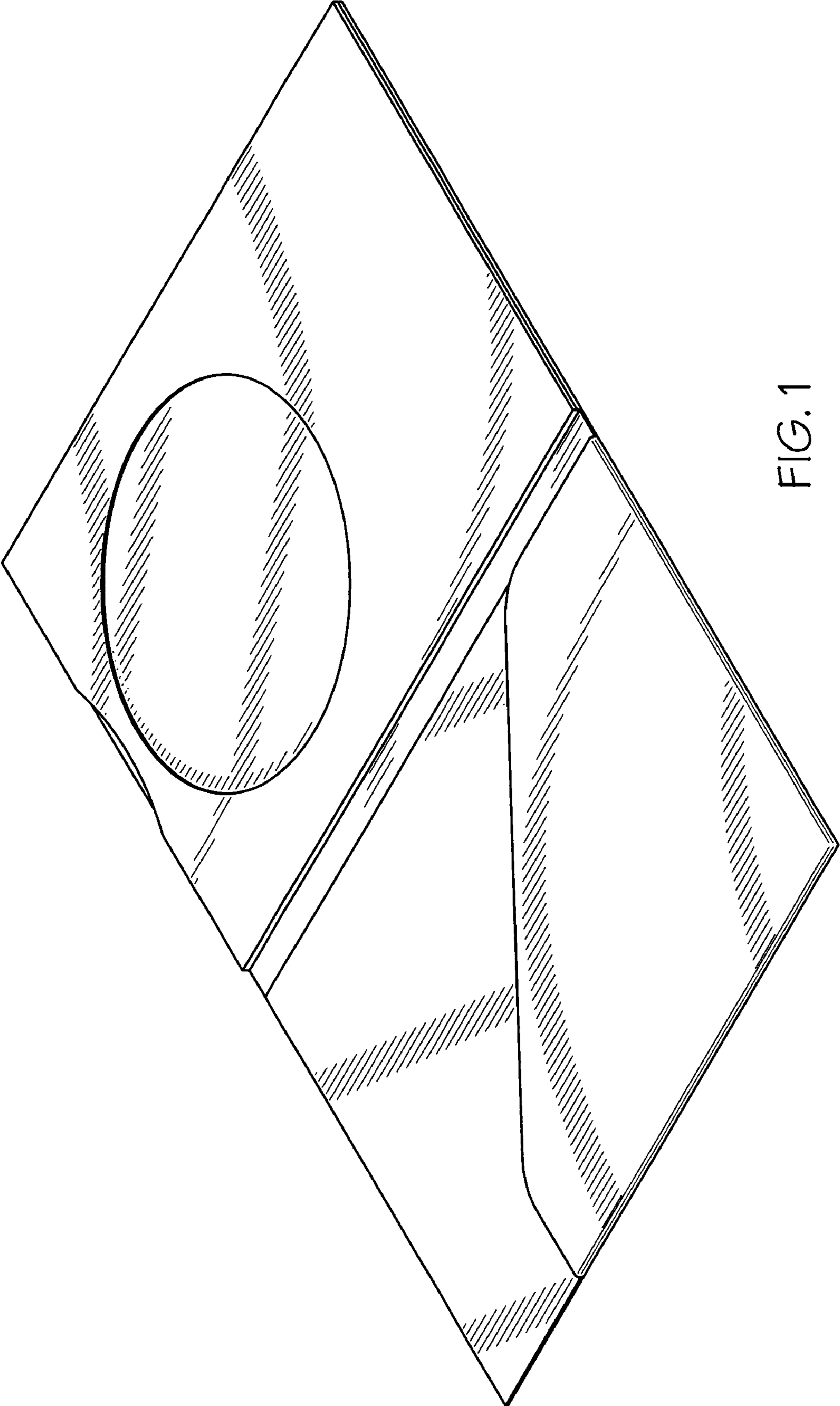


FIG. 1

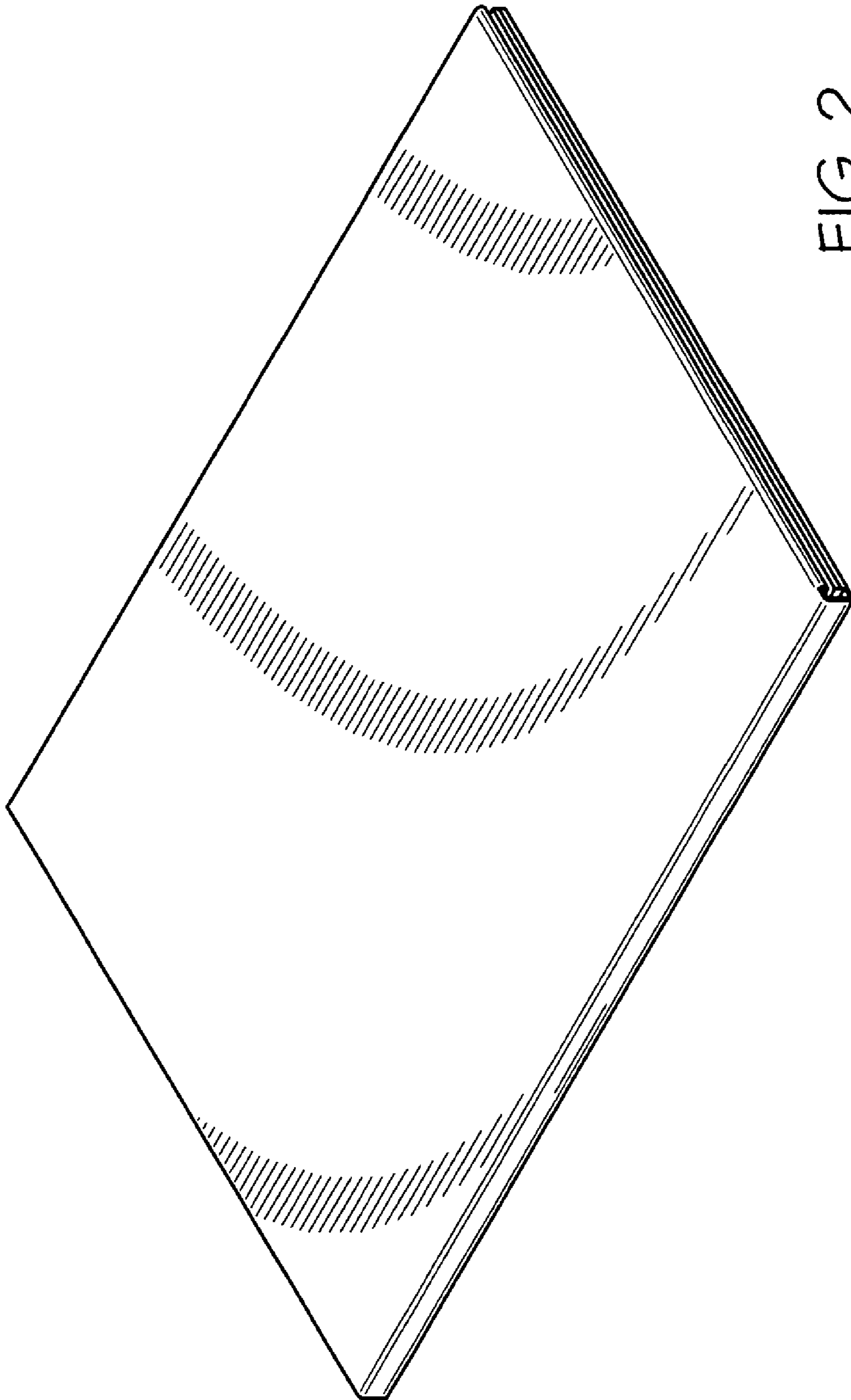


FIG. 2

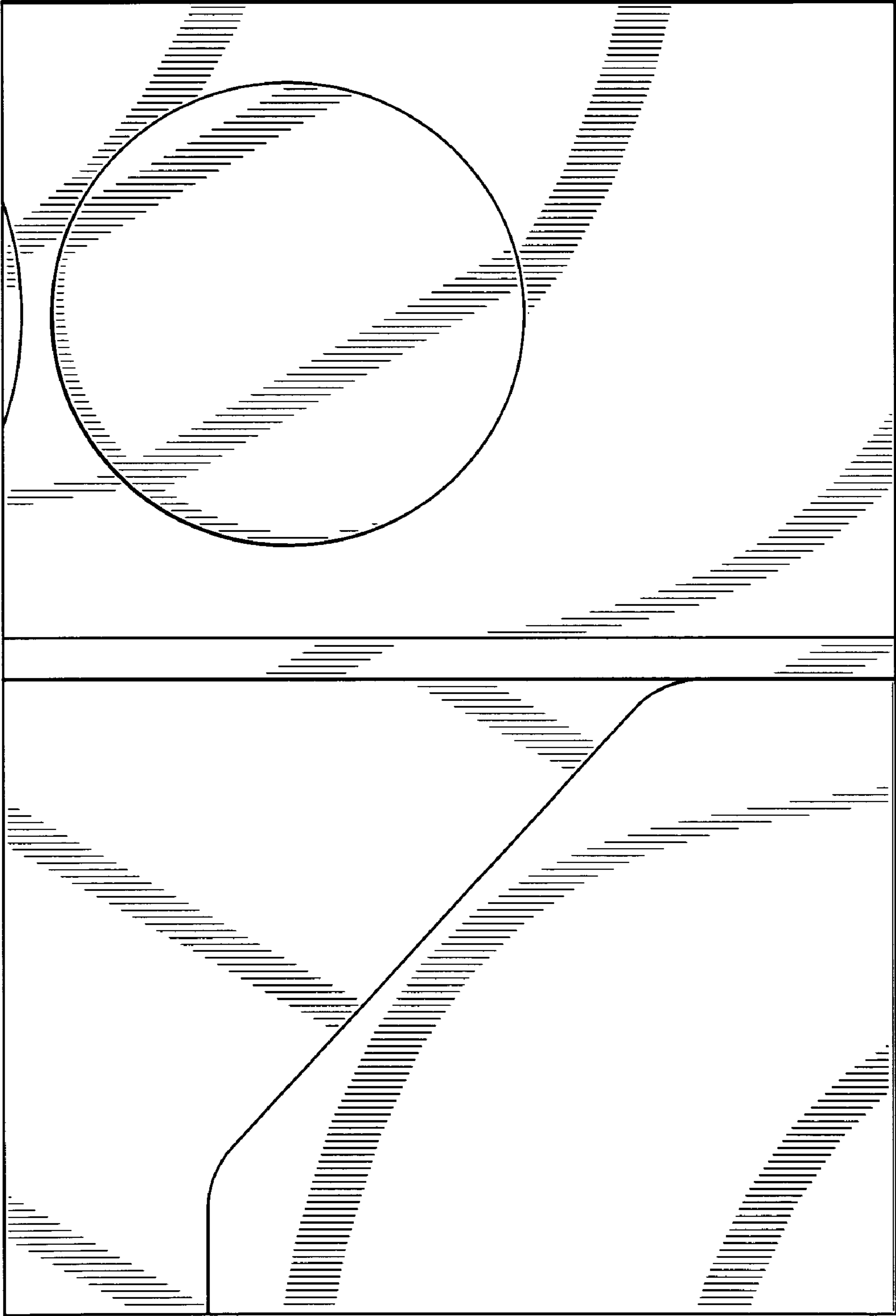


FIG. 3

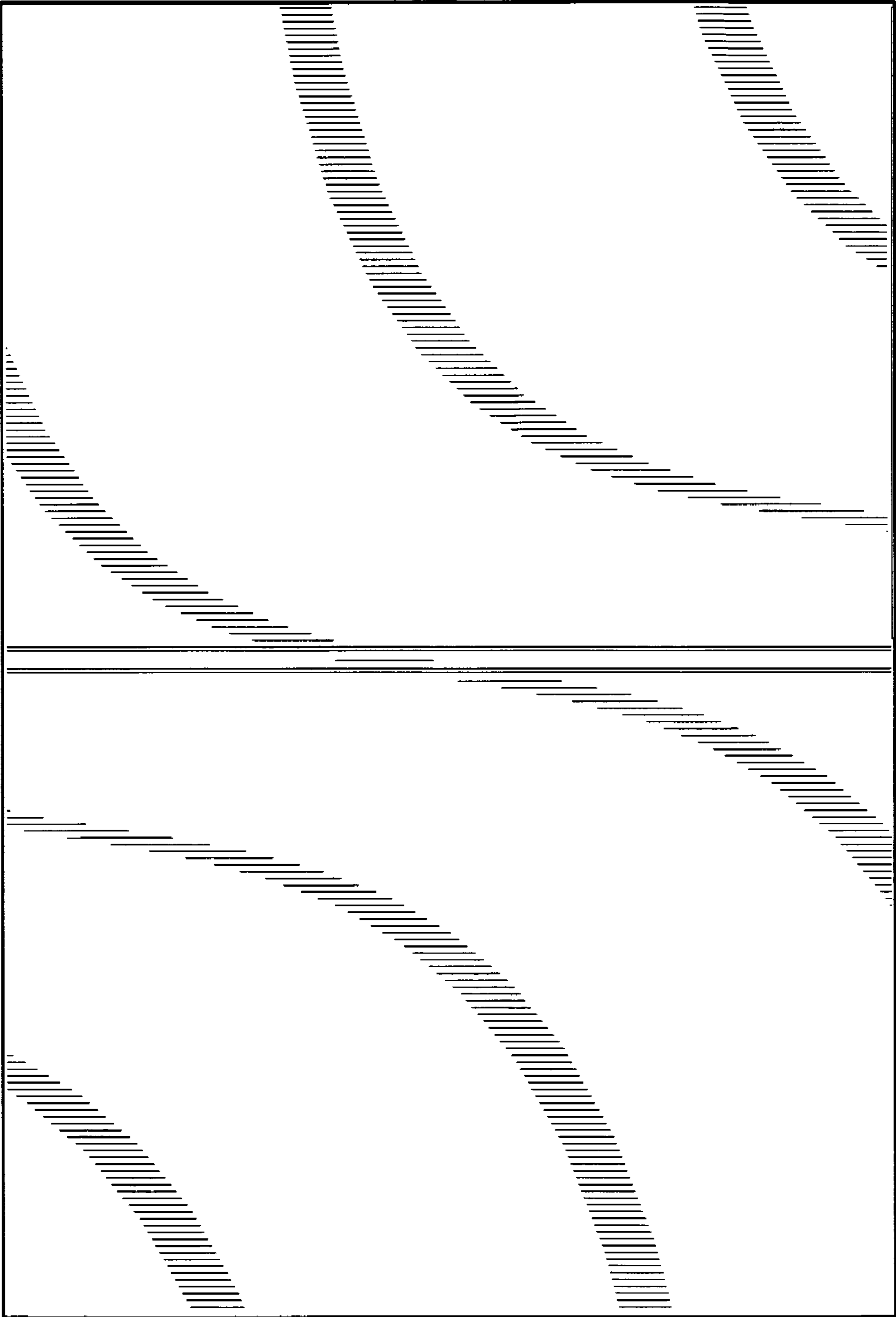


FIG. 4