



US00D622996S

(12) **United States Design Patent**
Morrison et al.

(10) **Patent No.:** **US D622,996 S**

(45) **Date of Patent:** **** *Sep. 7, 2010**

(54) **PILLOW-TOP MATTRESS DESIGN**

(75) Inventors: **Leigh Morrison**, Greensboro, NC (US);
John C. Shive, High Point, NC (US);
Jeewon Jung, Cambridge, MA (US)

(73) Assignee: **Sealy Technology LLC**, Trinity, NC (US)

(*) Notice: This patent is subject to a terminal disclaimer.

(**) Term: **14 Years**

(21) Appl. No.: **29/343,595**

(22) Filed: **Sep. 16, 2009**

(51) **LOC (9) Cl.** **06-09**

(52) **U.S. Cl.** **D6/596; D6/605**

(58) **Field of Classification Search** D6/595-601,
D6/604, 605; 5/630, 633, 636-638, 640,
5/644, 648, 652-654, 655.3, 655.6, 655.9,
5/656, 657, 657.5, 690, 691, 696, 738, 499-501
See application file for complete search history.

(56) **References Cited**

U.S. PATENT DOCUMENTS

D43,449 S *	1/1913	Burton	D6/605
1,892,679 A *	1/1933	Penner et al.	5/722
2,147,348 A *	2/1939	Munson et al.	5/696
D341,052 S *	11/1993	Fogel	D6/596
D391,434 S	3/1998	Denney		
D395,780 S	7/1998	Denney		
D404,955 S *	2/1999	Buonocore	D6/605
6,101,653 A *	8/2000	England	5/738
D456,197 S	4/2002	McClure		
D488,661 S	4/2004	Barman		
D506,098 S	6/2005	Martin		
D517,848 S	3/2006	Conteras		
D518,672 S	4/2006	Conteras		
D519,311 S	4/2006	Conteras		

(Continued)

Primary Examiner—Janice E Seeger

(74) *Attorney, Agent, or Firm*—James C. Scott; Roetzel & Andress

(57) **CLAIM**

The ornamental designs for a pillow-top mattress design, as shown and described.

DESCRIPTION

FIG. 1 is a perspective view of a first embodiment of the pillow-top mattress design.

FIG. 2 is a side view of the pillow-top mattress design of FIG. 1, identical to the opposite side view thereof.

FIG. 3 is an end view of the pillow-top mattress design of FIG. 1.

FIG. 4 is a top view of the pillow-top mattress design of FIG. 1.

FIG. 5 is a bottom view of the pillow-top mattress design of FIG. 1.

FIG. 6 is a perspective view of a second embodiment of the pillow-top mattress design.

FIG. 7 is a side view of the pillow-top mattress design of FIG. 6, identical to the opposite side view thereof.

FIG. 8 is an end view of the pillow-top mattress design of FIG. 6.

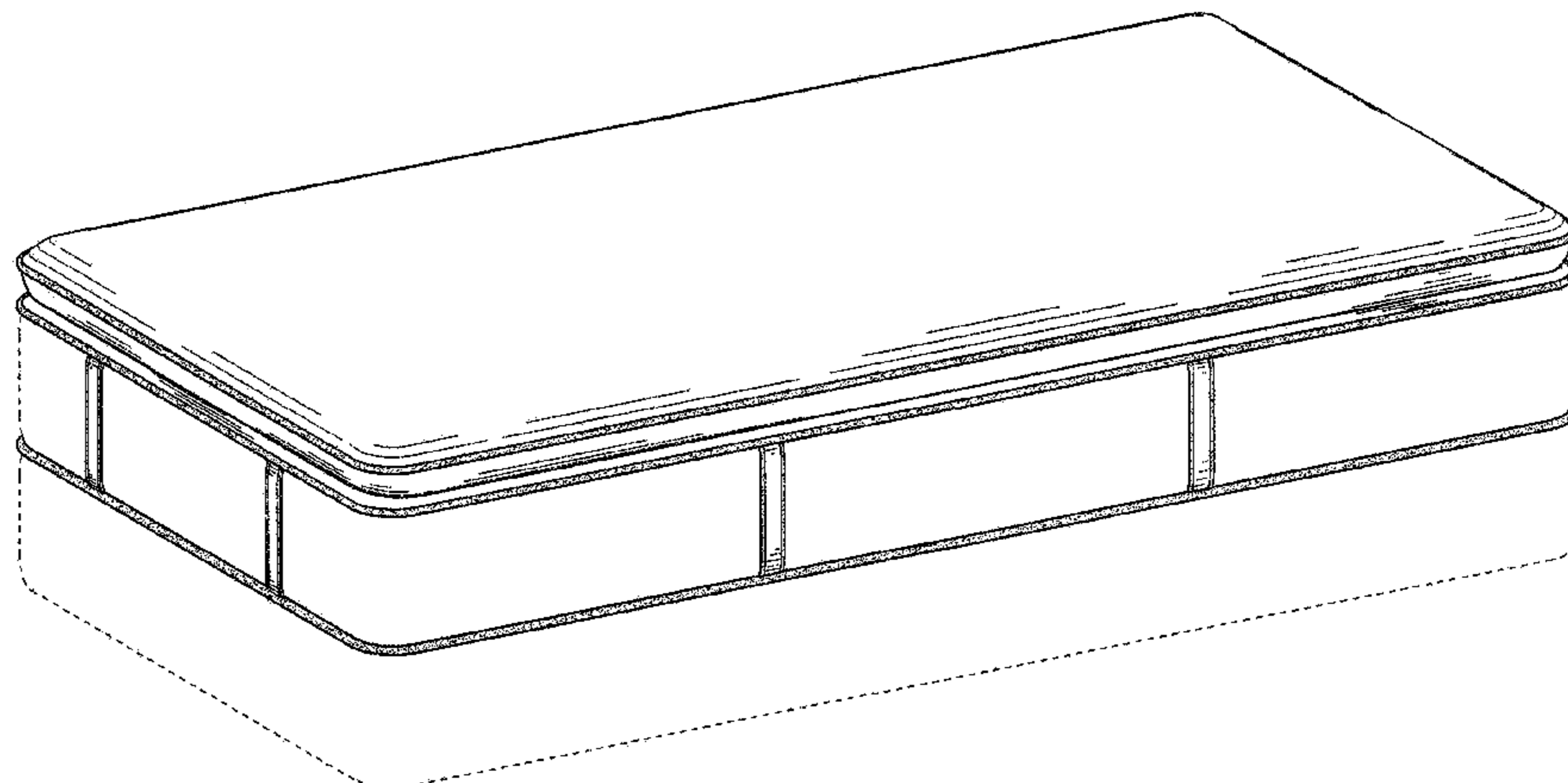
FIG. 9 is a top view of the pillow-top mattress design of FIG. 6; and,

FIG. 10 is a bottom view of the pillow-top mattress design of FIG. 6.

The broken lines are for environmental purposes only and form no part of the claimed design.

The shade lines in FIGS. 6-10 depict the color brown.

1 Claim, 9 Drawing Sheets



US D622,996 S

Page 2

U.S. PATENT DOCUMENTS

D543,064 S 5/2007 Hale
D551,011 S 9/2007 Van Patten
D551,012 S 9/2007 Van Patten

D552,397 S 10/2007 Van Patten
D616,236 S * 5/2010 Morrison D6/596

* cited by examiner

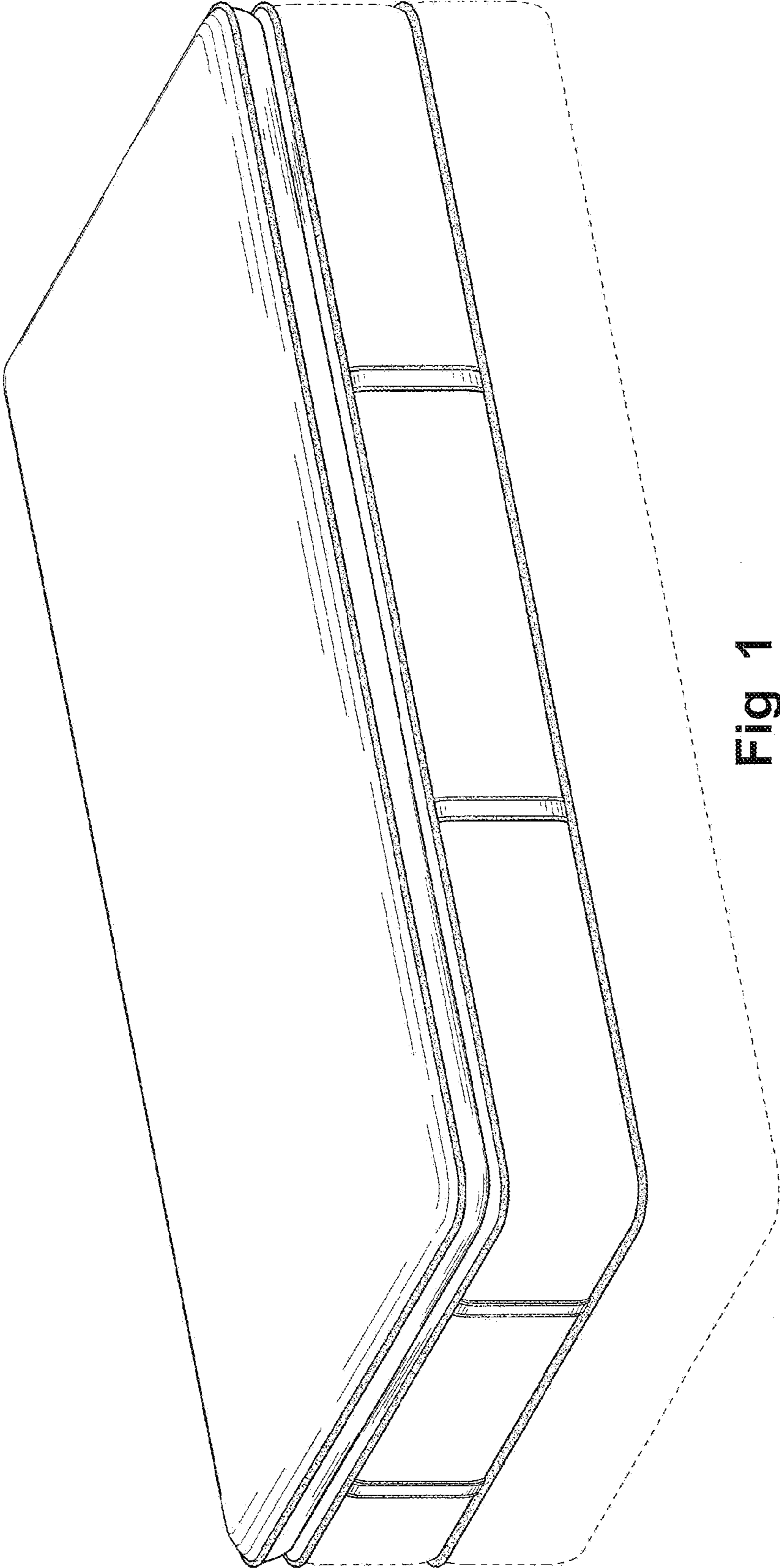


Fig 1

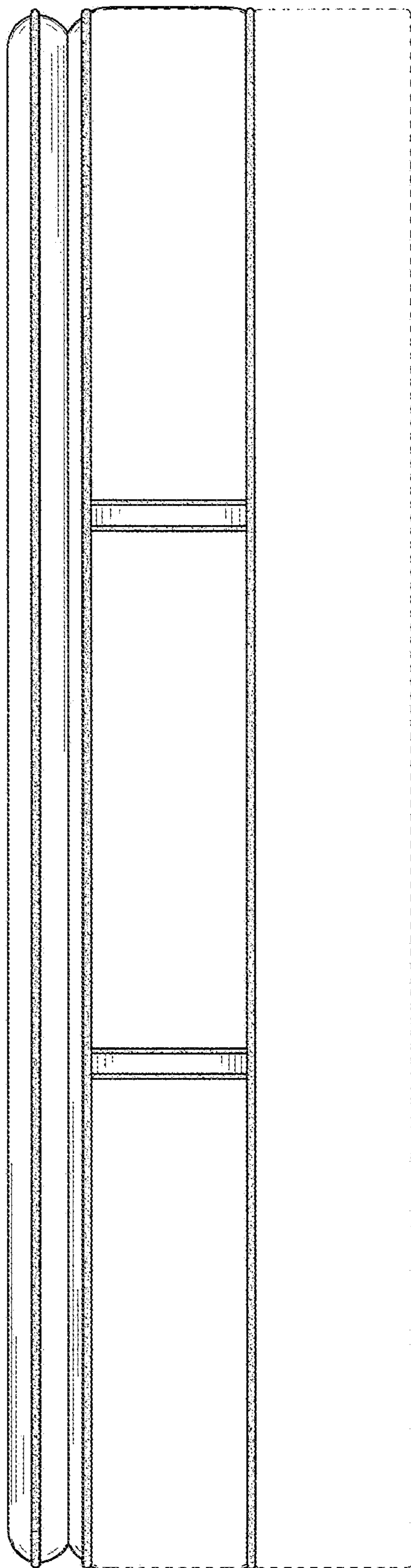


Fig 2

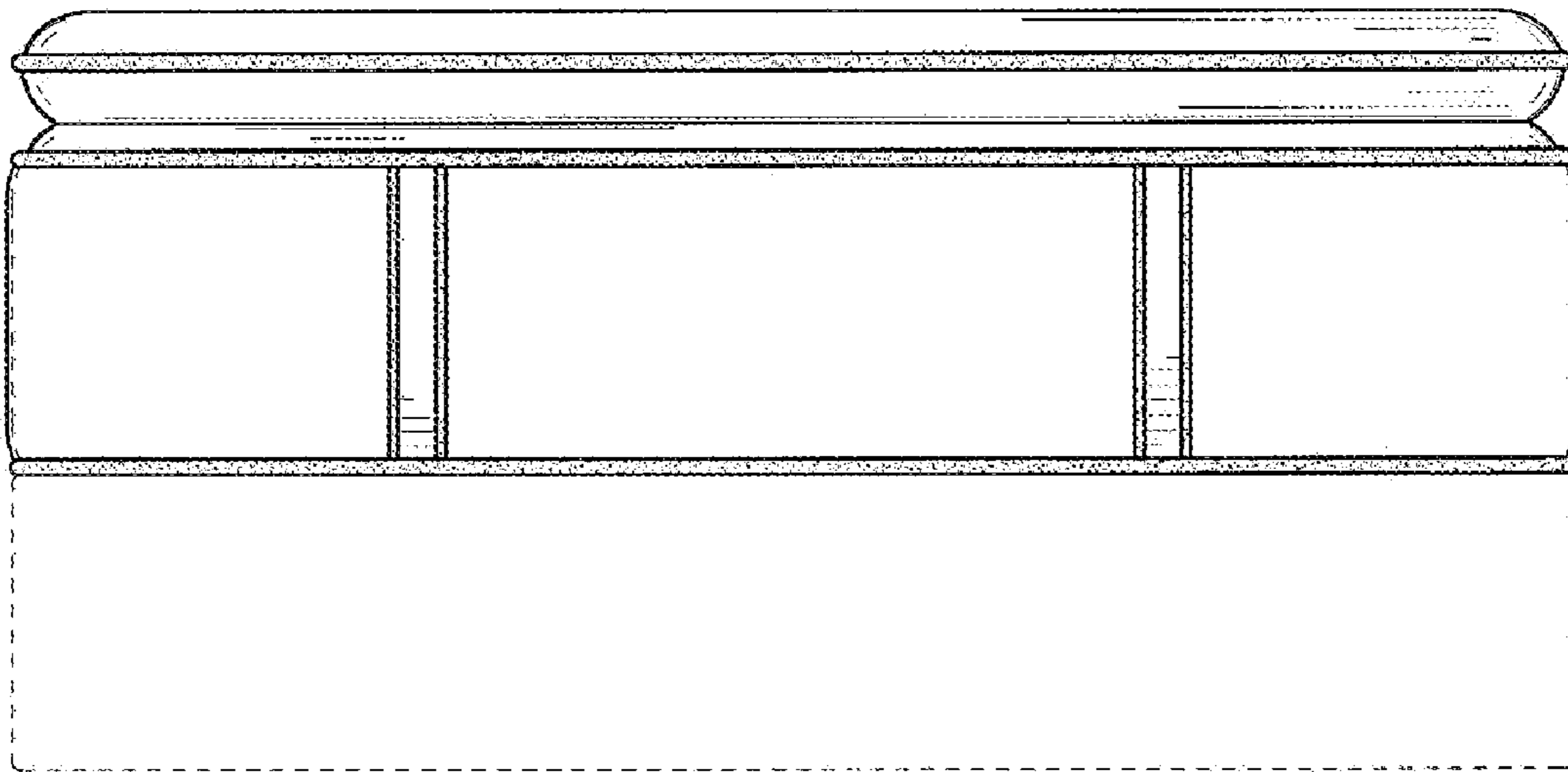


Fig. 3



Fig 4

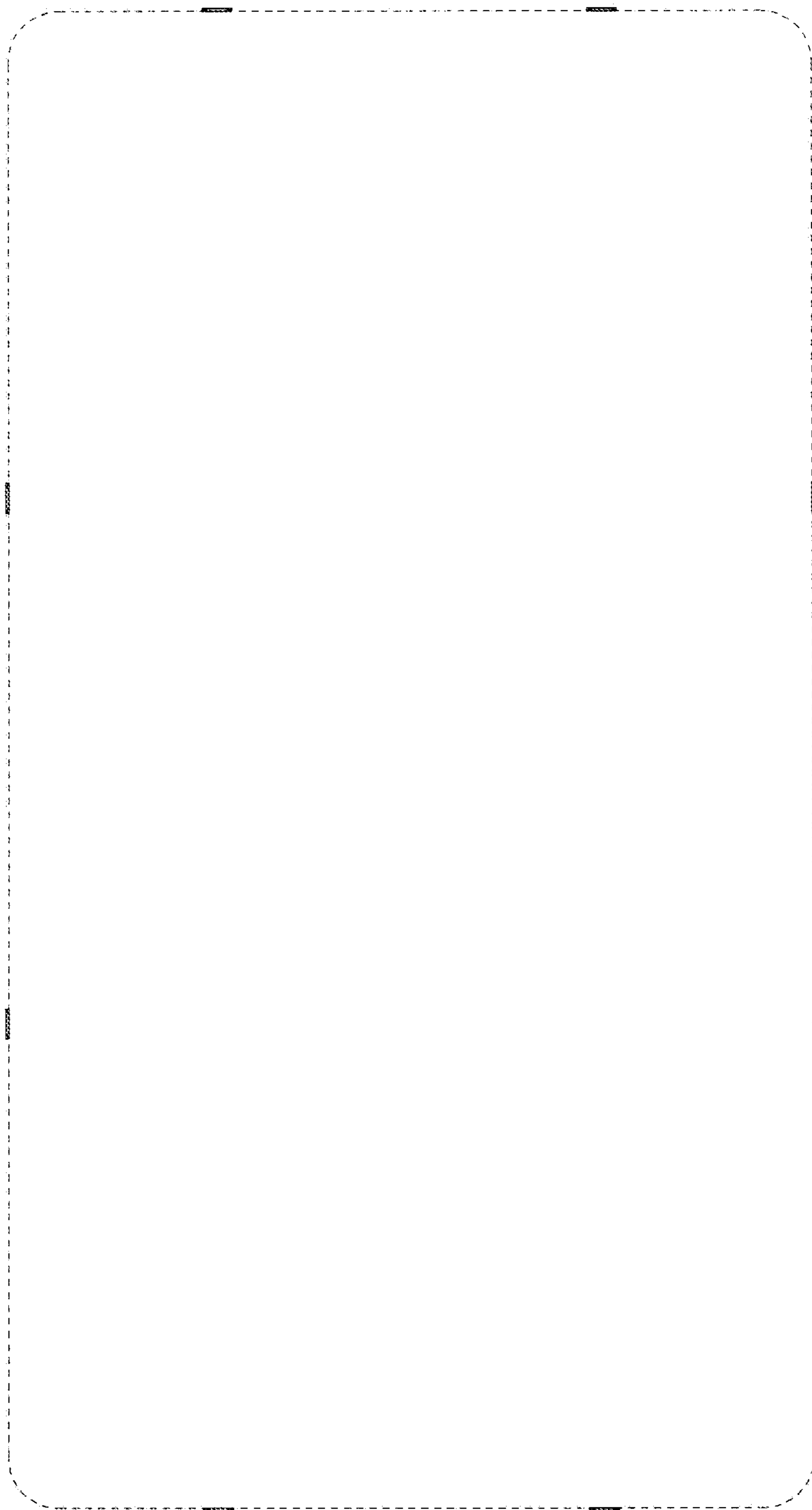


Fig 5

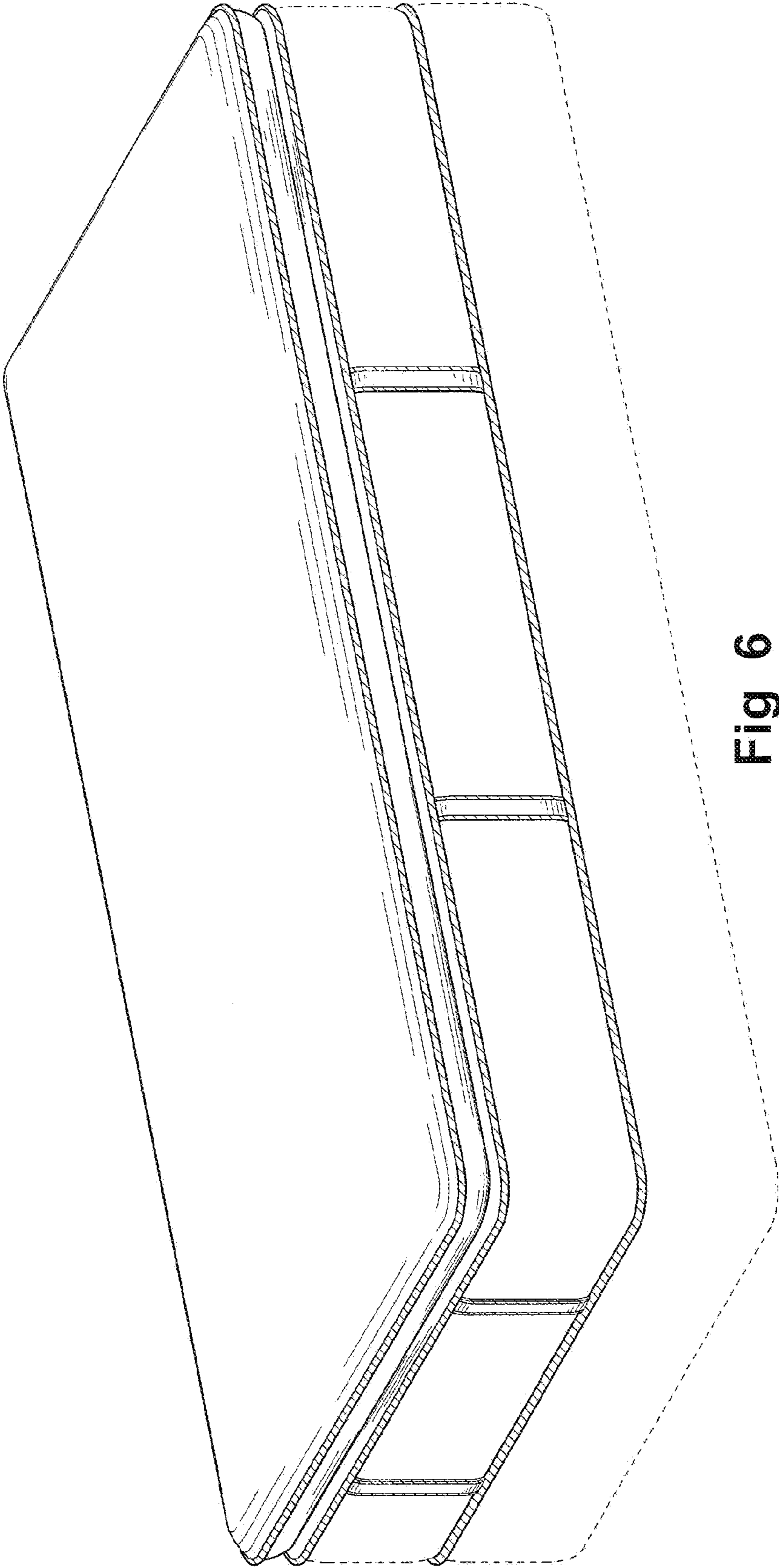


Fig 6

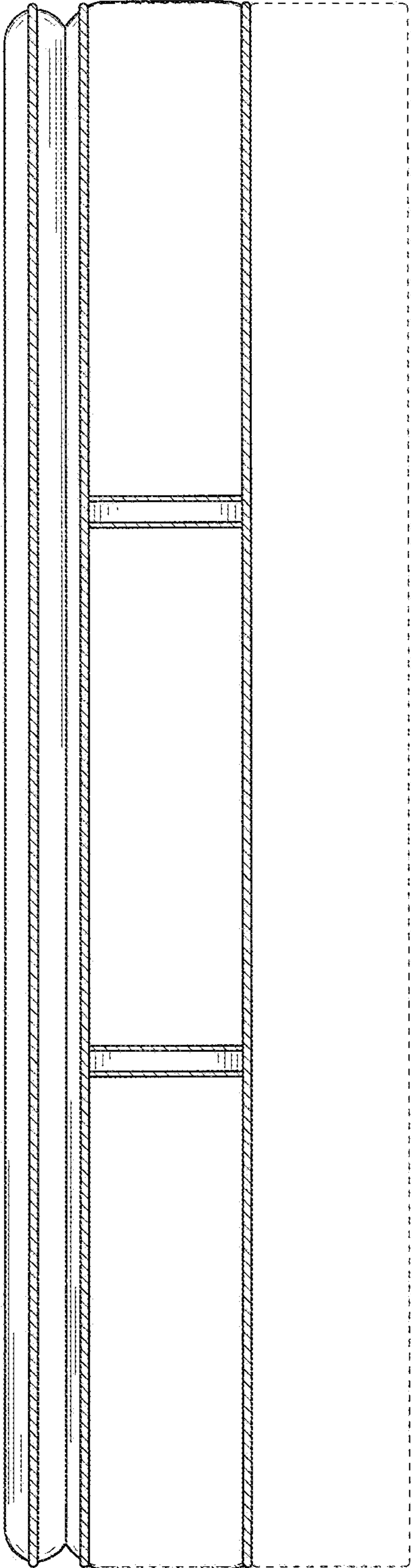


Fig 7

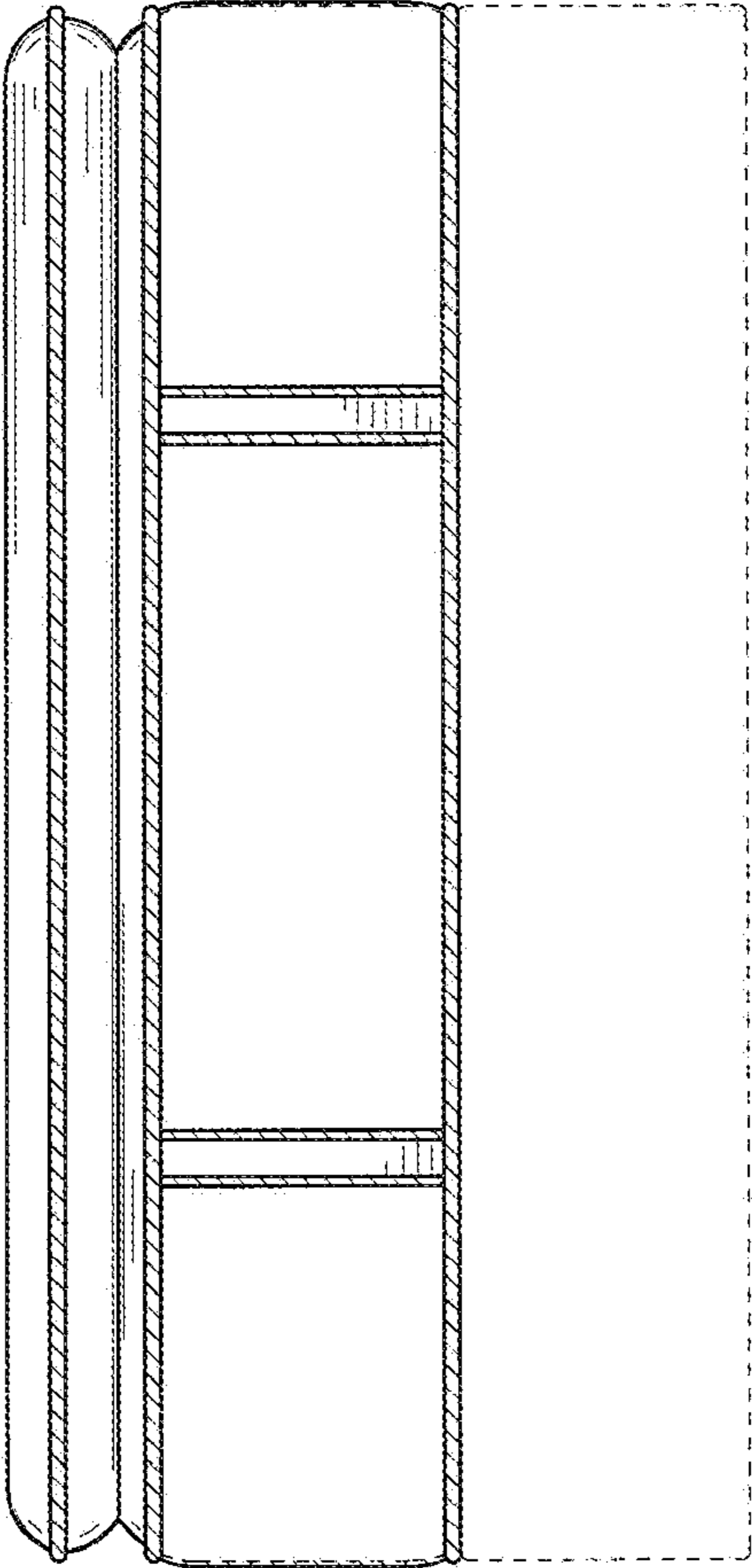


Fig 8

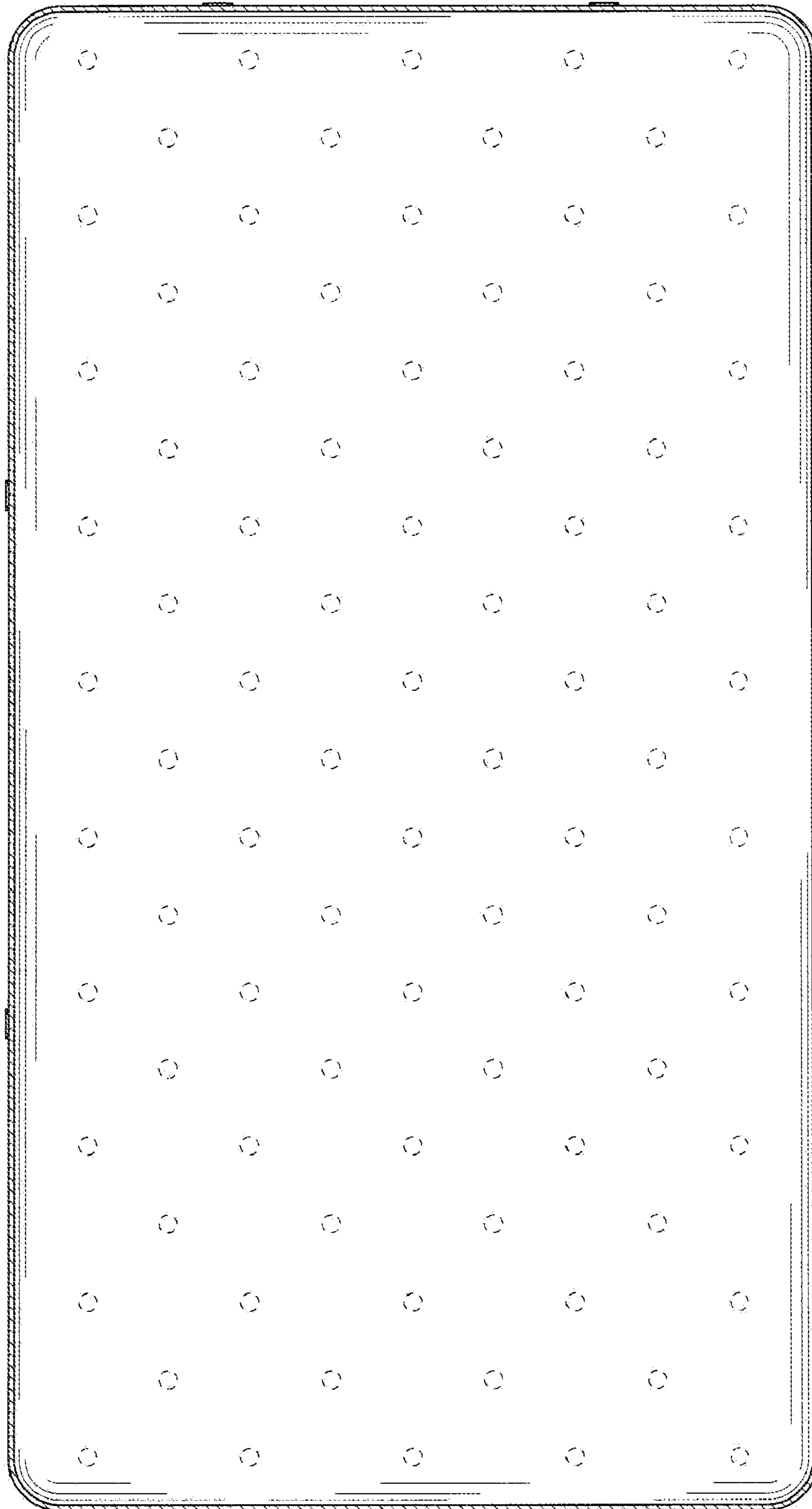


Fig 9

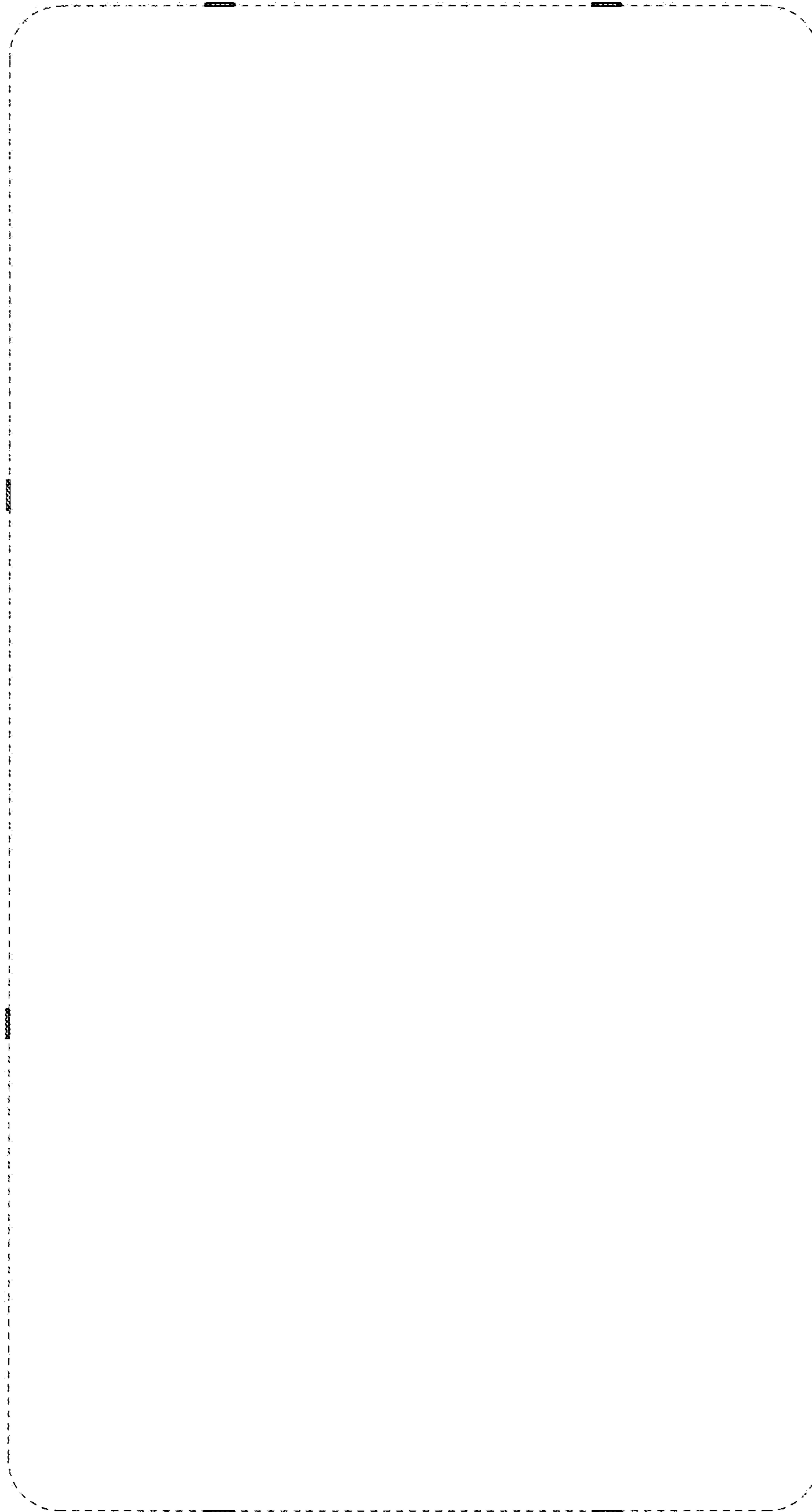


Fig. 10



US00D622996C1

(12) **INTER PARTES REEXAMINATION CERTIFICATE** (1650th)

United States Patent

Morrison et al.

(10) **Number:** **US D622,996 C1**

(45) **Certificate Issued:** ***Oct. 26, 2021**

(54) **PILLOW-TOP MATTRESS DESIGN**

(*) Notice: This patent is subject to a terminal disclaimer.

(75) Inventors: **Leigh Morrison**, Greensboro, NC (US);
John C. Shive, High Point, NC (US);
Jeewon Jung, Cambridge, MA (US)

(51) **LOC (13) Cl.** **06-09**

(52) **U.S. Cl.**
USPC **D6/596; D6/605**

(73) Assignee: **Sealy Technology, LLC**

(58) **Field of Classification Search**
USPC **D6/596, 605**
See application file for complete search history.

Reexamination Request:

No. 95/001,540, Feb. 8, 2011

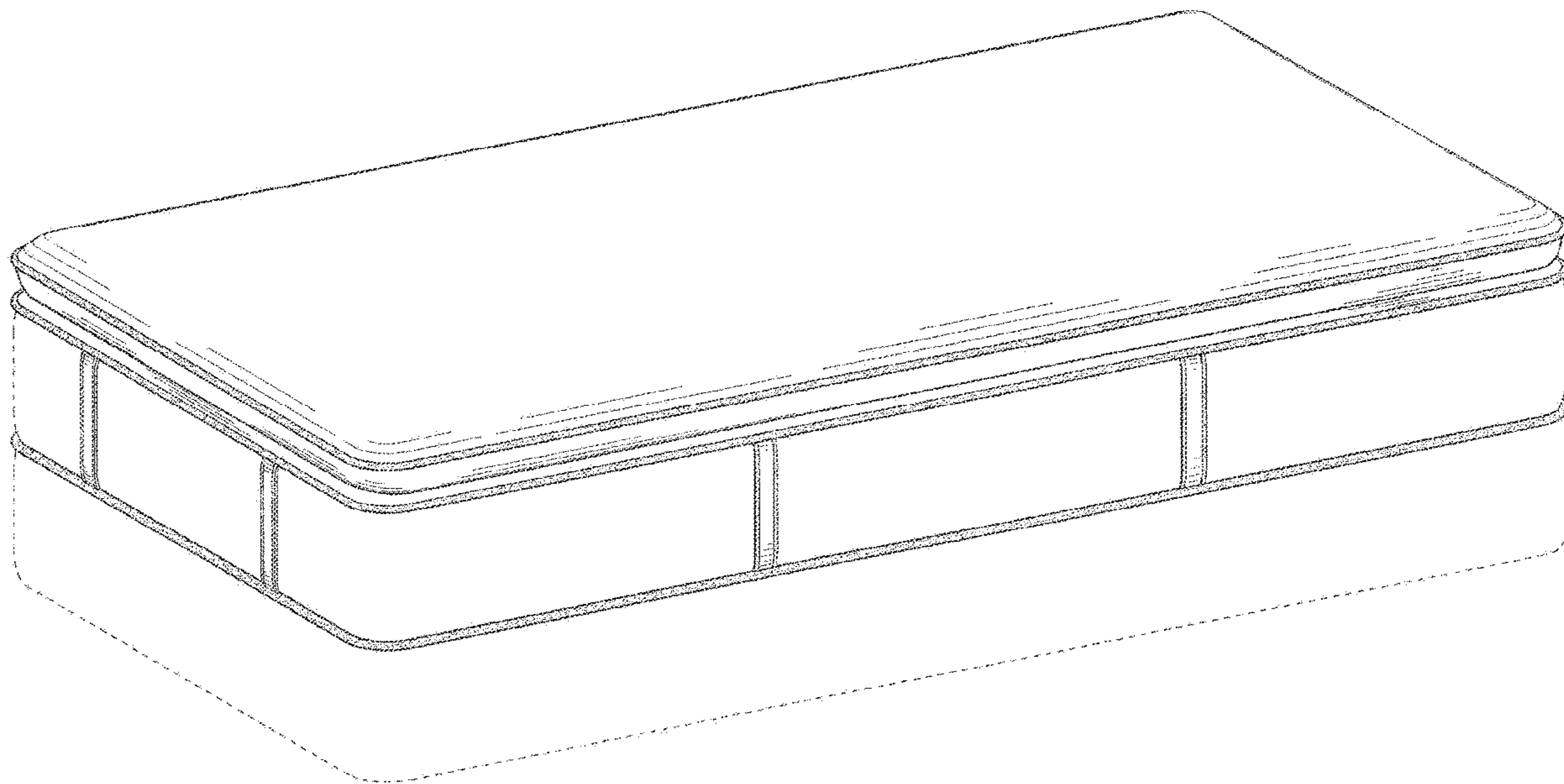
(56) **References Cited**

Reexamination Certificate for:

Patent No.: **Des. 622,996**
Issued: **Sep. 7, 2010**
Appl. No.: **29/343,595**
Filed: **Sep. 16, 2009**

To view the complete listing of prior art documents cited during the proceeding for Reexamination Control Number 95/001,540, please refer to the USPTO's public Patent Application Information Retrieval (PAIR) system under the Display References tab.

Primary Examiner — Brandon M Rosati



**INTER PARTES
REEXAMINATION CERTIFICATE**

THE PATENT IS HEREBY AMENDED AS
INDICATED BELOW.

5

AS A RESULT OF REEXAMINATION, IT HAS BEEN
DETERMINED THAT:

Claim 1 is cancelled.

10

* * * * *