



US00D622993S

(12) **United States Design Patent**
Park et al.

(10) **Patent No.:** **US D622,993 S**

(45) **Date of Patent:** **** Sep. 7, 2010**

(54) **COVER FOR A MOUNTING BRACKET FOR A RETRACTABLE SHADE**

(75) Inventors: **Jeffrey A. Park**, Miami Beach, FL (US);
Chris A. Rice, Boca Raton, FL (US)

(73) Assignee: **Hunter Douglas Inc.**, Upper Saddle River, NJ (US)

(**) Term: **14 Years**

(21) Appl. No.: **29/305,166**

(22) Filed: **Mar. 14, 2008**

(51) **LOC (9) Cl.** **06-10**

(52) **U.S. Cl.** **D6/580**

(58) **Field of Classification Search** D6/580,
D6/553, 567, 555, 574, 474, 461, 468, 569,
D6/570, 512, 513, 514; D8/350-353, 381,
D8/400, 373, 376, 404, 409; 211/18, 63,
211/87.01, 180, 183, 87; 248/345.1, 345,
248/235, 200

See application file for complete search history.

(56) **References Cited**

U.S. PATENT DOCUMENTS

| | | | | |
|-----------|-----|---------|------------------|-----------|
| 3,606,229 | A * | 9/1971 | Wall | 248/345 |
| D287,817 | S * | 1/1987 | Henin | D8/380 |
| 5,195,713 | A * | 3/1993 | Van Dore et al. | 248/441.1 |
| D342,662 | S * | 12/1993 | Lavin, Sr. | D8/354 |
| D464,870 | S * | 10/2002 | Fraser | D8/373 |
| D506,341 | S * | 6/2005 | Gruner | D6/580 |
| D512,257 | S * | 12/2005 | Cairns | D6/580 |
| D587,054 | S * | 2/2009 | Patterson et al. | D6/580 |
| D599,602 | S * | 9/2009 | Chou | D6/580 |

D610,381 S * 2/2010 Stifal D6/513
2007/0107854 A1 * 5/2007 Jelic 160/170

* cited by examiner

Primary Examiner—Mark A Goodwin

(74) *Attorney, Agent, or Firm*—Dorsey & Whitney LLP

(57) **CLAIM**

We claim a cover for a mounting bracket for a retractable shade, as shown and described.

DESCRIPTION

FIG. 1 is a reduced isometric view of a cover for a mounting bracket for a retractable shade showing our new design, the broken line showing of the retractable shade, brackets, and additional cover is included for the purpose of illustrating environmental structure and forms no part of the claimed design.

FIG. 2 is an enlarged isometric view thereof, the broken line showing of the mounting bracket is included for the purpose of illustrating environmental structure and forms no part of the claimed design.

FIG. 3 is a front isometric view thereof.

FIG. 4 is a rear isometric view thereof.

FIG. 5 is a front elevation view thereof.

FIG. 6 is a top plan view thereof.

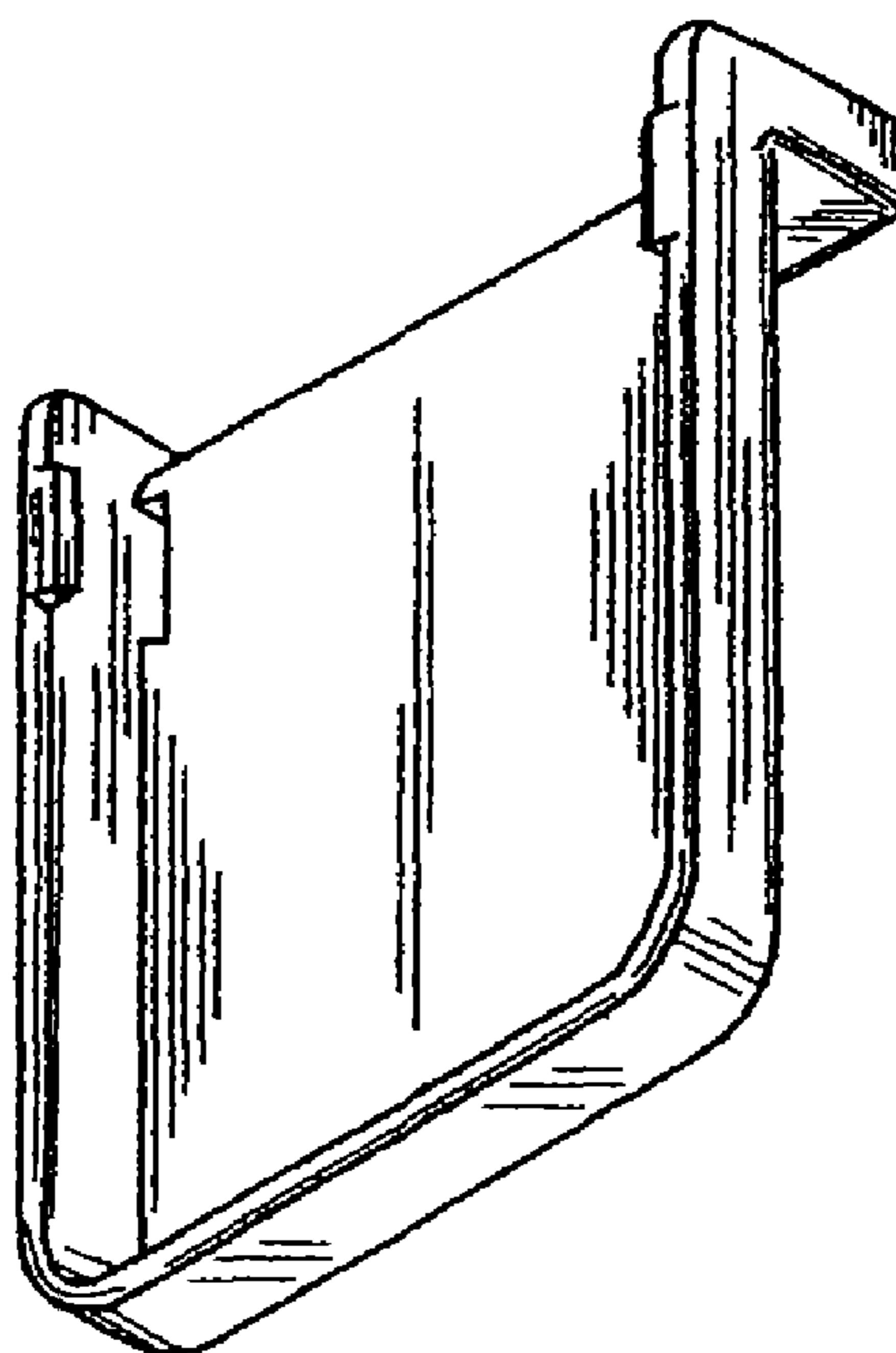
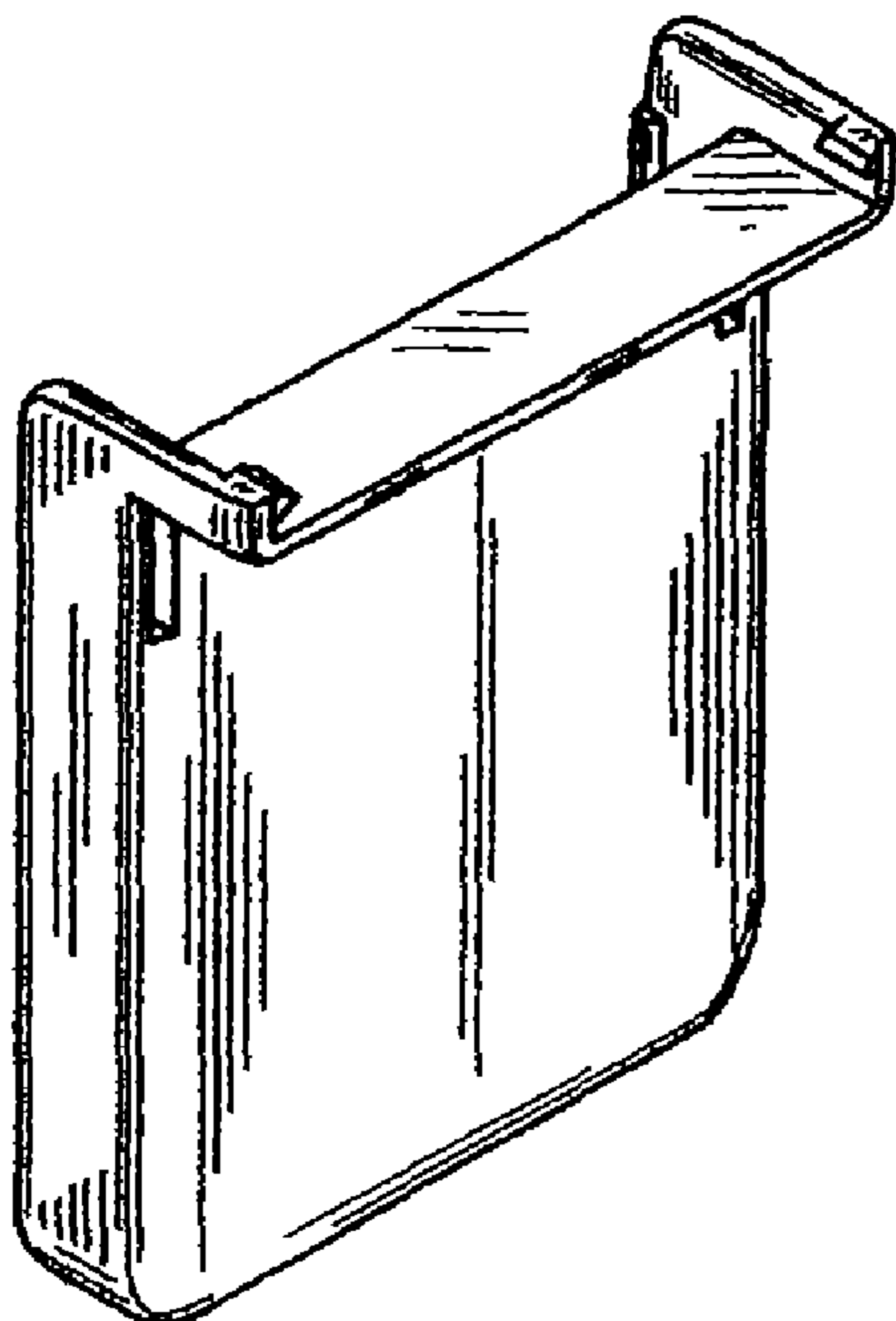
FIG. 7 is a left side view thereof.

FIG. 8 is a right side view thereof.

FIG. 9 is a rear elevation view thereof; and,

FIG. 10 is a bottom plan view thereof.

1 Claim, 2 Drawing Sheets



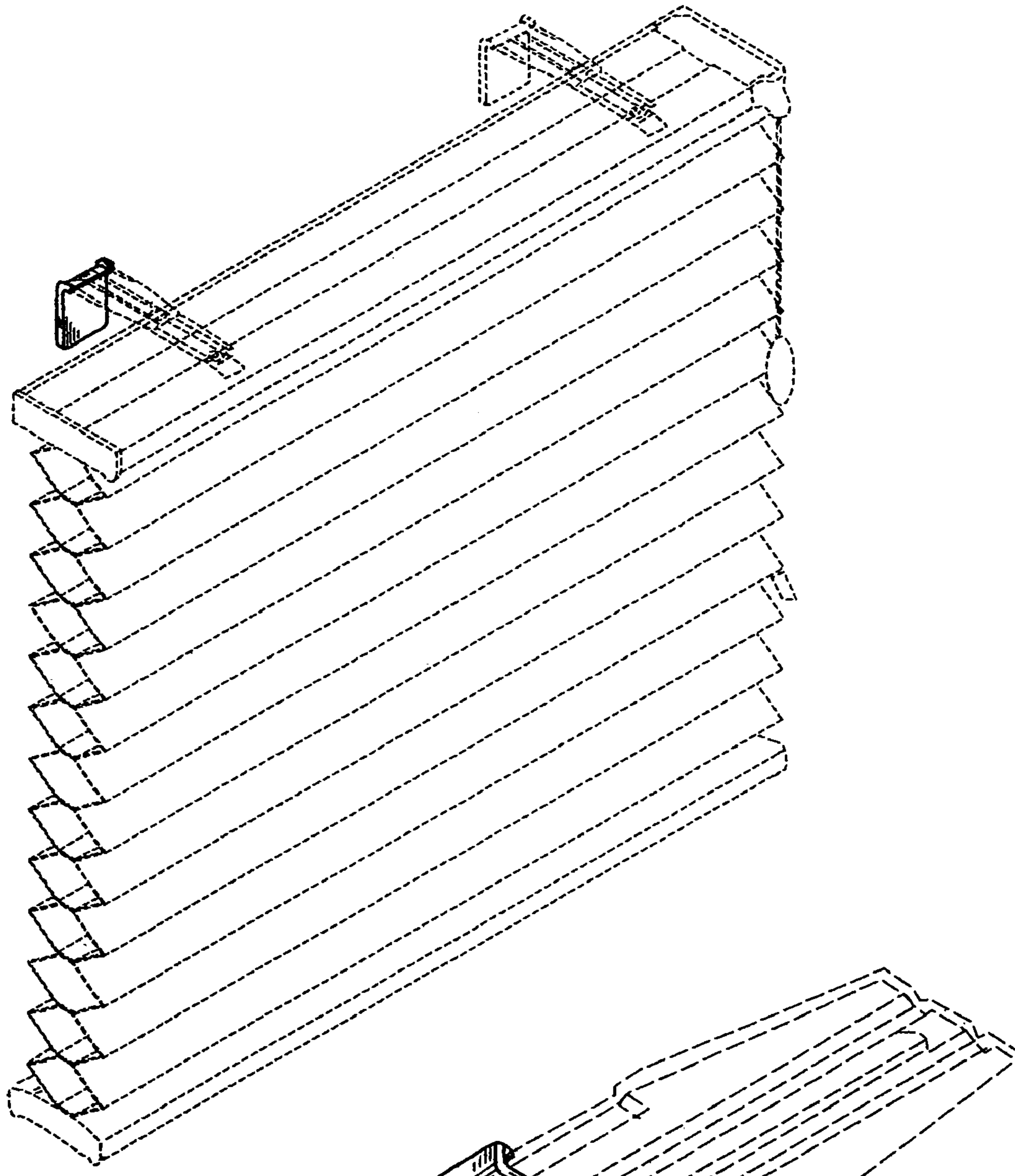


Fig. 1

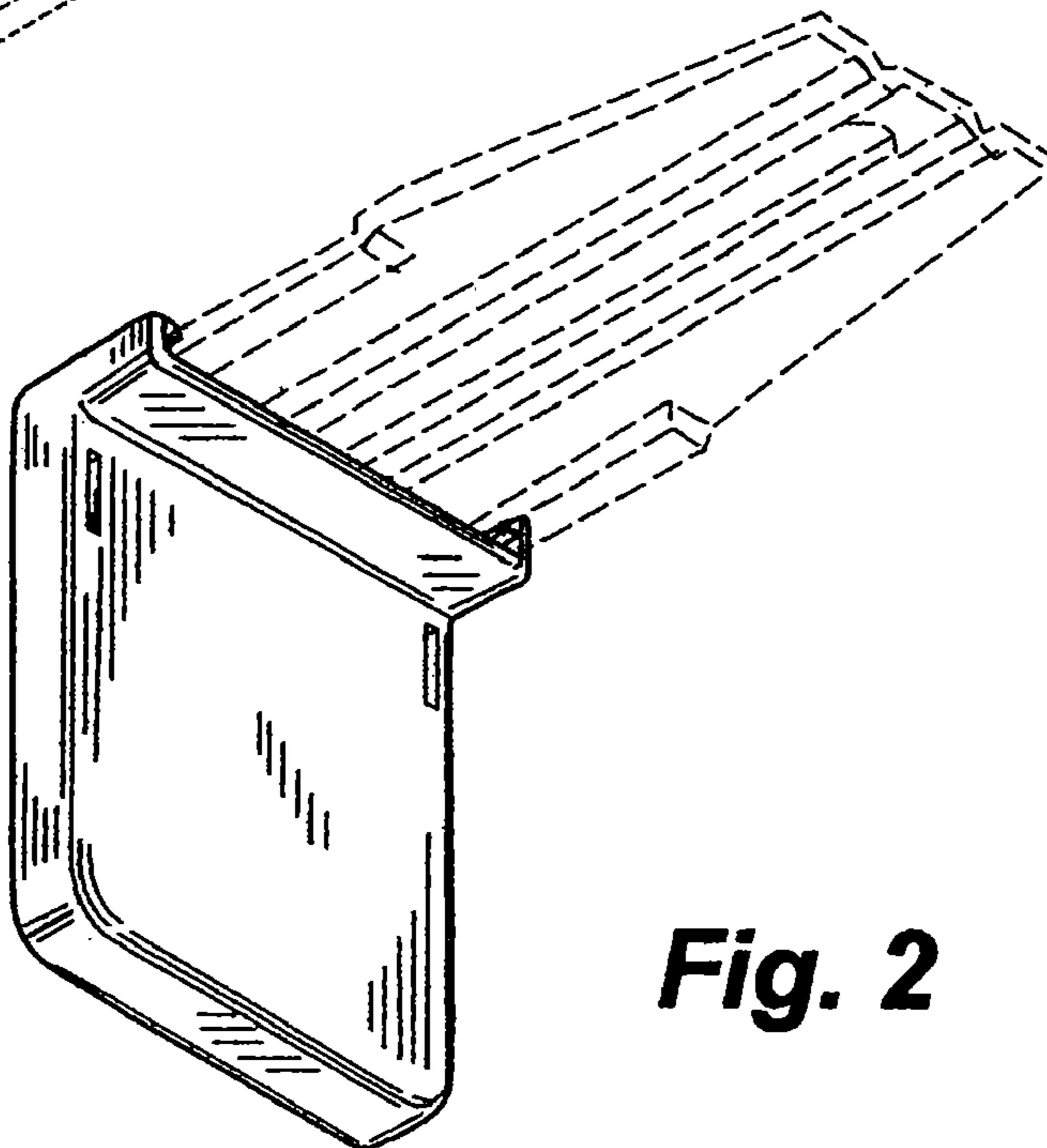


Fig. 2

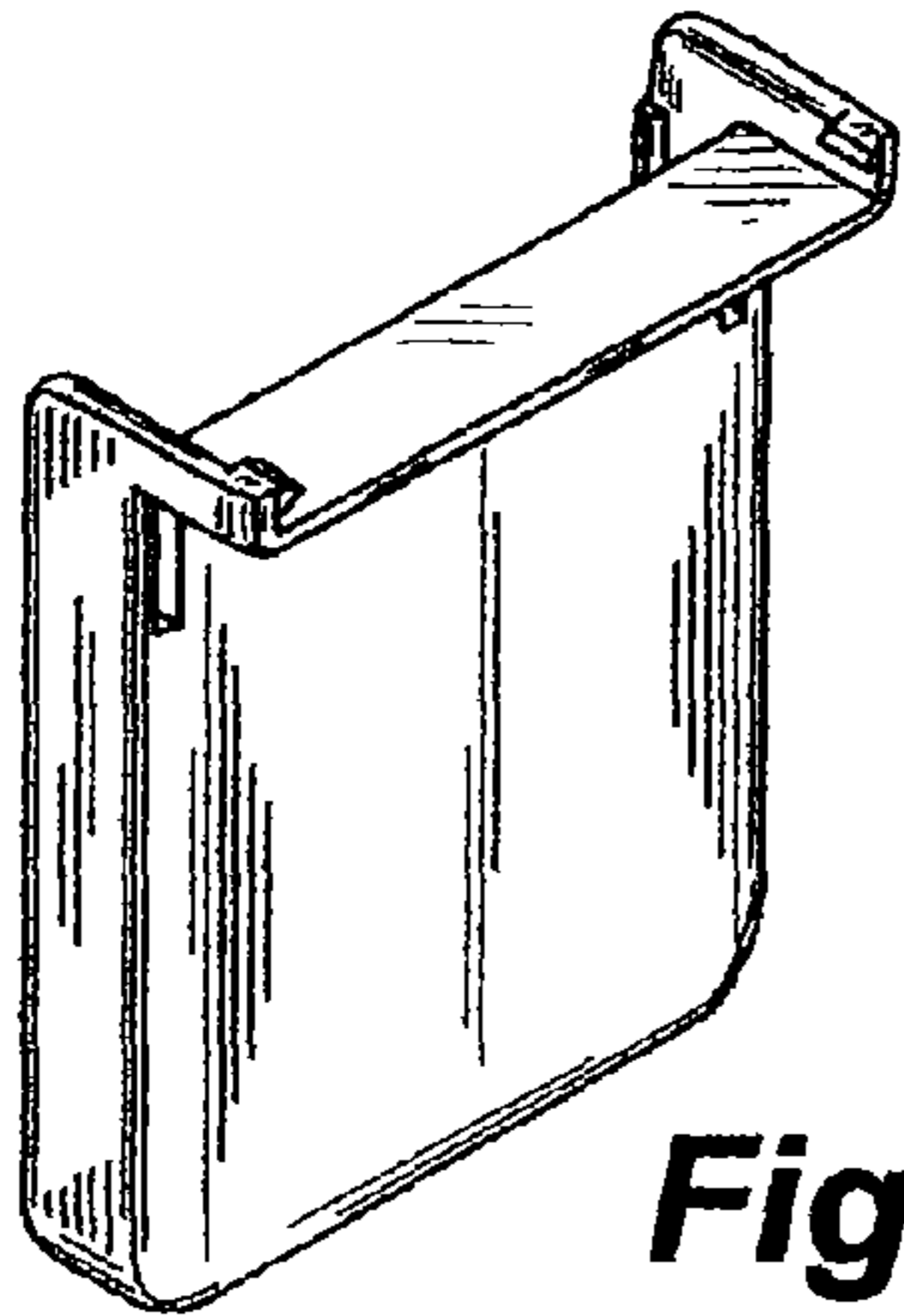


Fig. 3

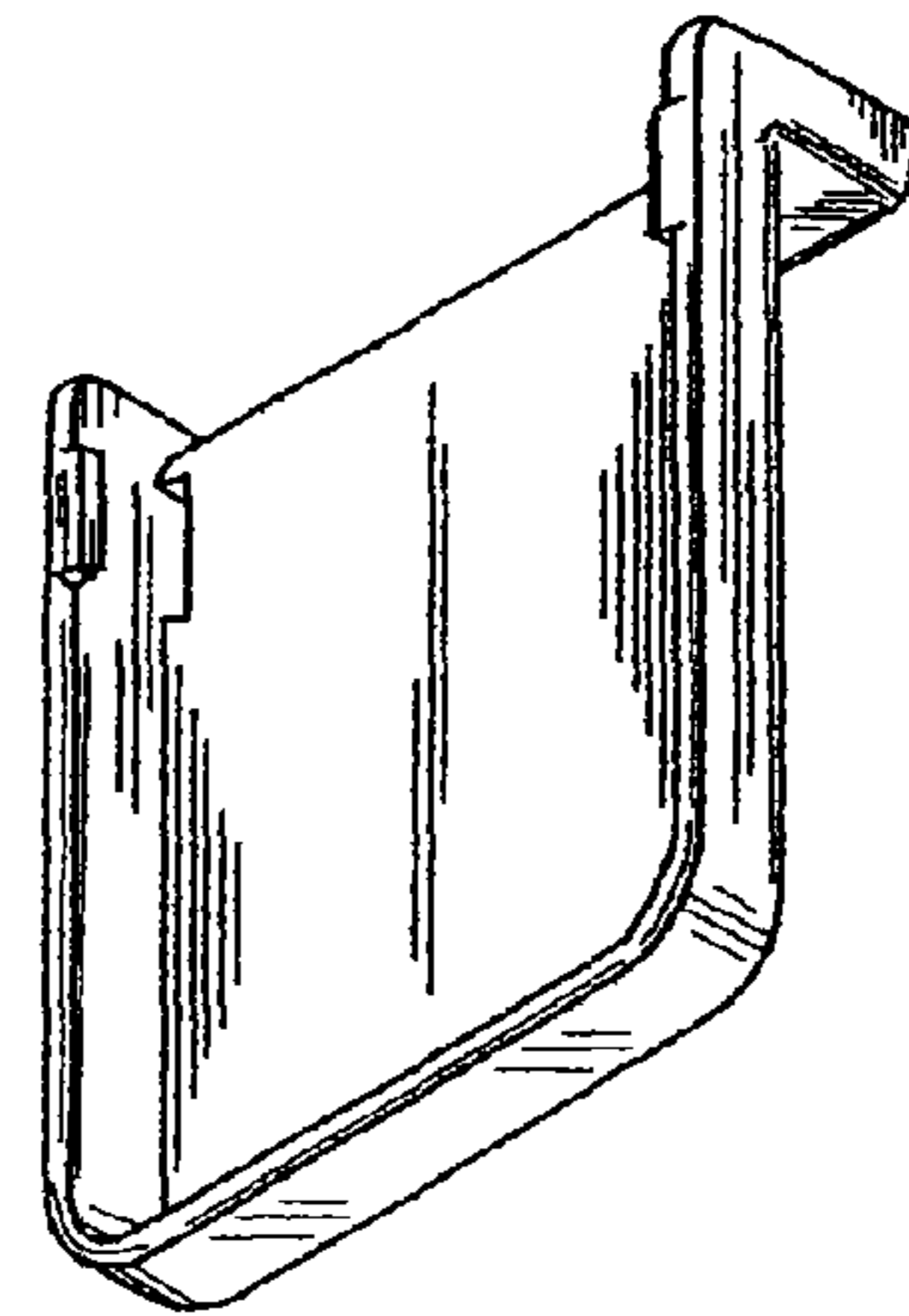


Fig. 4

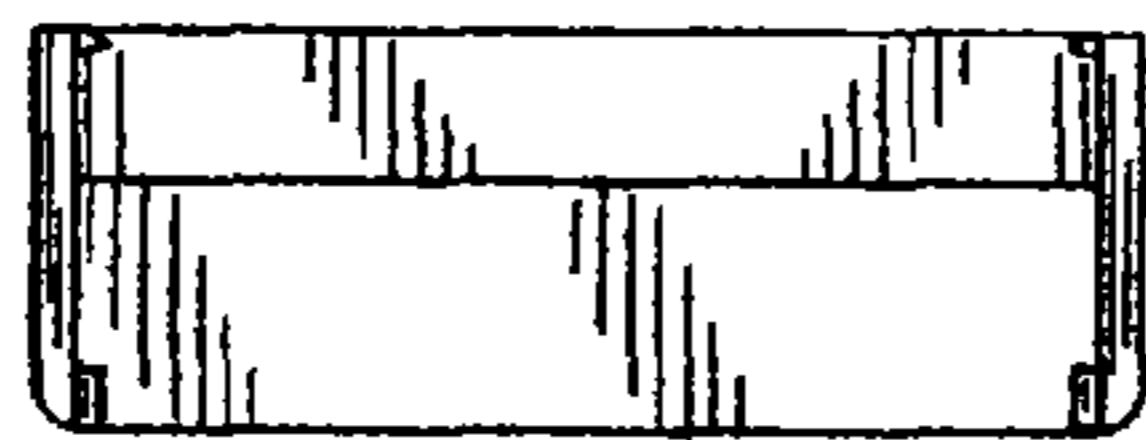


Fig. 6



Fig. 7

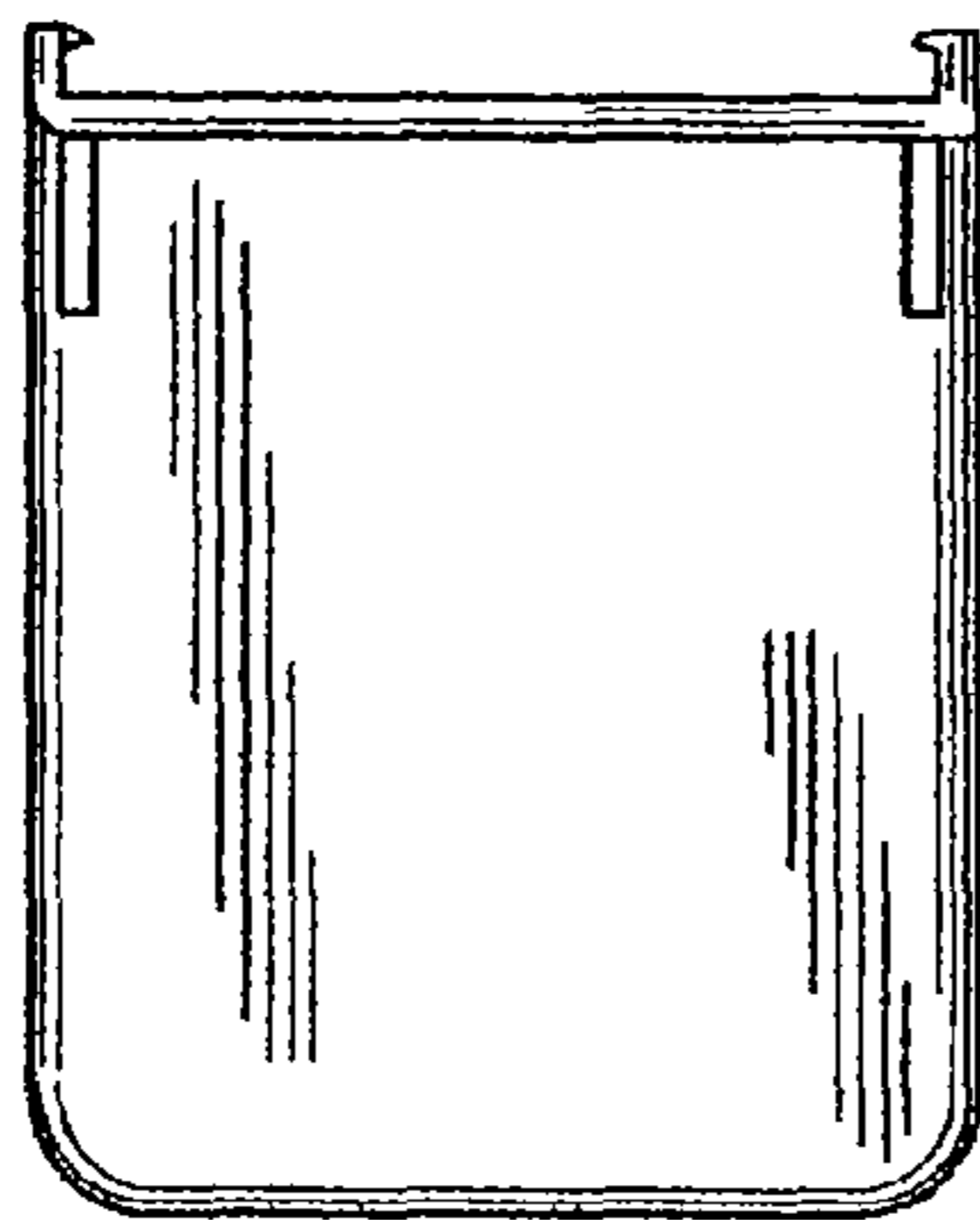


Fig. 5



Fig. 8

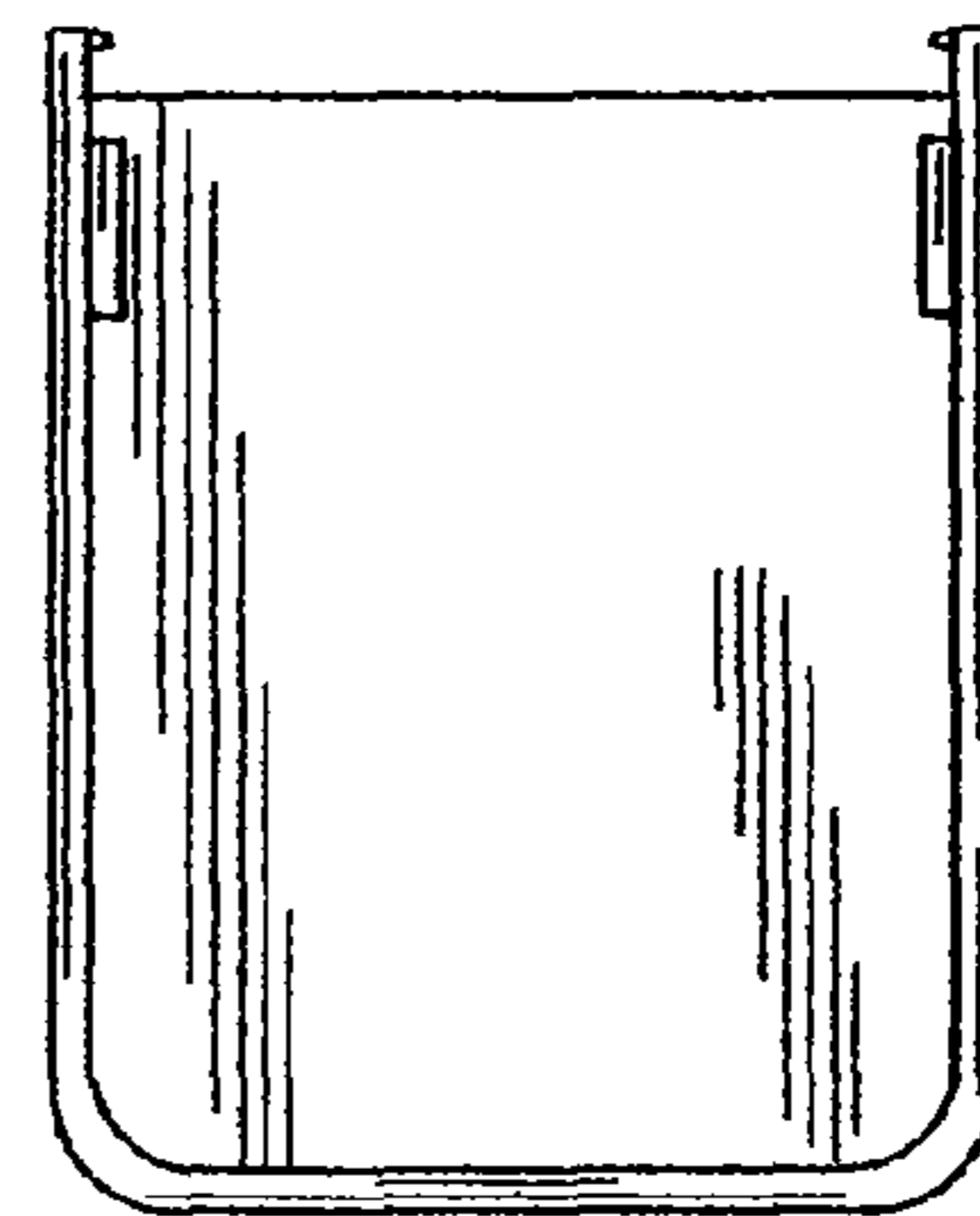


Fig. 9

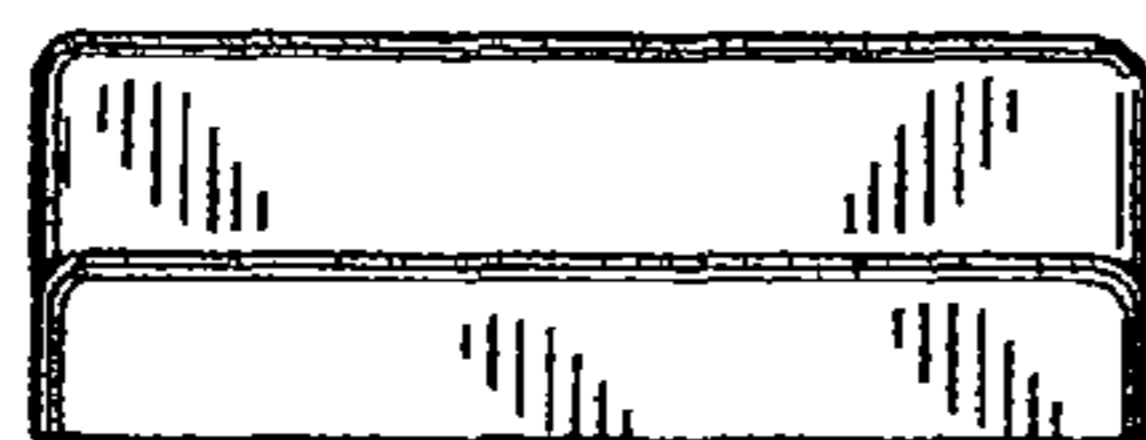


Fig. 10