



US00D622992S

(12) **United States Design Patent**  
**Dodd**

(10) **Patent No.:** **US D622,992 S**  
(45) **Date of Patent:** **\*\* Sep. 7, 2010**

(54) **FIREARM AND ACCESSORY HOLDER**

(76) Inventor: **Kenneth E. Dodd**, 819 Colonial Dr.,  
Raleigh, NC (US) 27603

(\*\*) Term: **14 Years**

(21) Appl. No.: **29/338,934**

(22) Filed: **Jun. 22, 2009**

(51) **LOC (9) Cl.** ..... **08-08**

(52) **U.S. Cl.** ..... **D6/552**

(58) **Field of Classification Search** ..... D6/552,  
D6/553, 567; D22/109; 211/13.1, 60.1,  
211/64, 70.2, 70.6, 70.8

See application file for complete search history.

(56) **References Cited**

U.S. PATENT DOCUMENTS

1,579,553	A	4/1926	Ludlow	
4,256,245	A	3/1981	Serres	
4,483,501	A	11/1984	Eddy	
4,521,930	A	6/1985	Henson	
4,691,396	A	9/1987	Hoffman	
4,850,560	A	7/1989	Ross	
4,932,090	A	6/1990	Johansson	
4,984,725	A	1/1991	Urbom	
5,188,328	A	2/1993	Thompson	
D335,233	S *	5/1993	Long	D6/552
D372,616	S *	8/1996	Cute	D6/552
D381,852	S *	8/1997	Cardenas	D6/552
5,806,739	A	9/1998	Wood	
6,382,484	B1	5/2002	Savant	
D459,625	S *	7/2002	Zebbedies	D6/552

7,159,711 B1 1/2007 Gardner  
7,451,956 B2 11/2008 Bohlen  
D587,051 S \* 2/2009 Vining ..... D6/552  
D609,516 S \* 2/2010 Vining ..... D6/552

\* cited by examiner

Primary Examiner—Brian N Vinson

(74) Attorney, Agent, or Firm—Olive Law Group, PLLC

(57) **CLAIM**

The ornamental design for a firearm and accessory holder, as shown.

**DESCRIPTION**

FIG. 1 is a perspective view of a firearm and accessory holder showing my new design;

FIG. 2 is a front elevation view of the firearm and accessory holder of FIG. 1;

FIG. 3 is a rear elevation view of the firearm and accessory holder of FIG. 1;

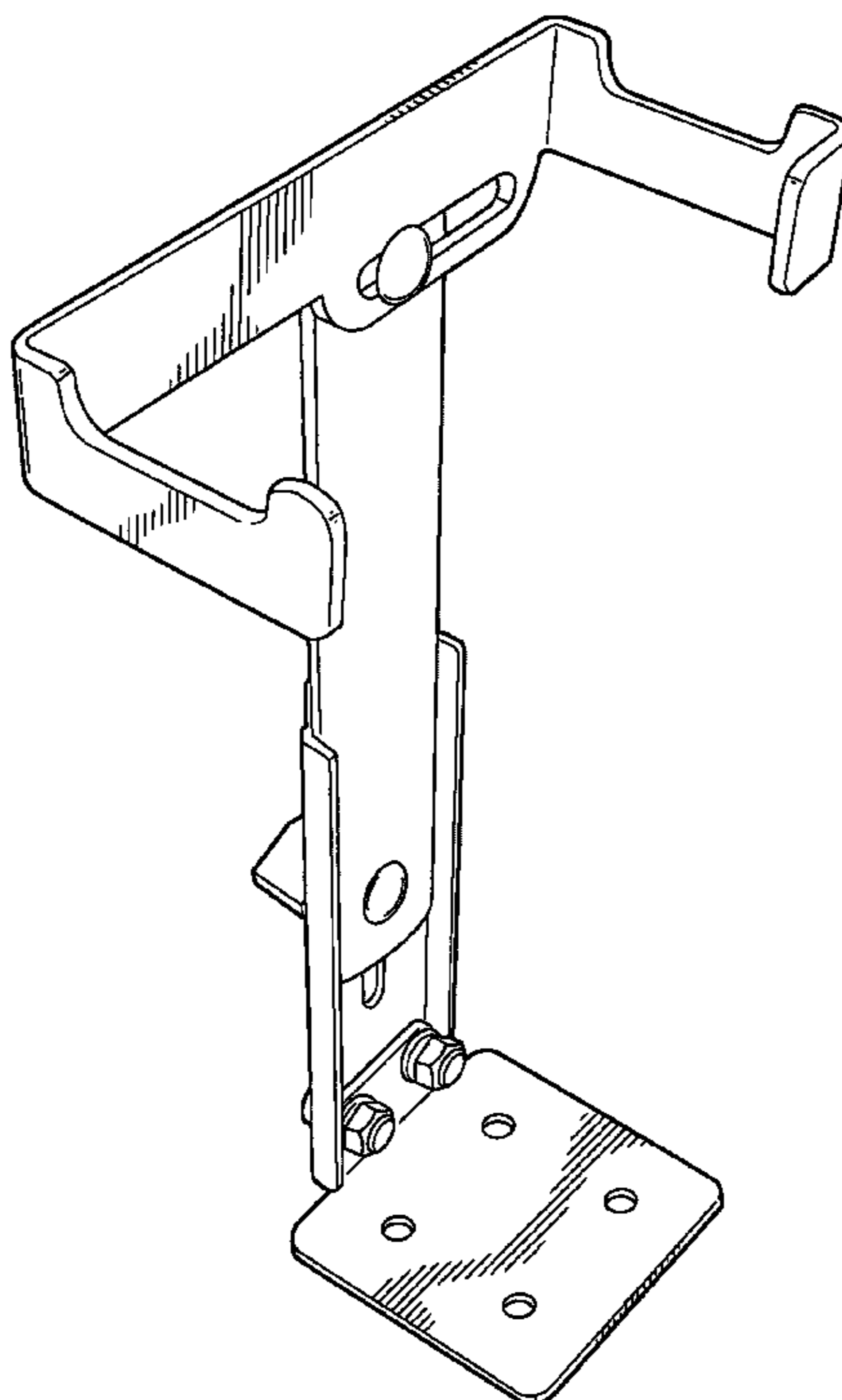
FIG. 4 is a left side elevation view of the firearm and accessory holder of FIG. 1 as seen from the left-hand side of FIG. 1;

FIG. 5 is a right side view in elevation of the firearm and accessory holder of FIG. 1 as seen from the right-hand side of FIG. 1;

FIG. 6 is a top plan view of the firearm and accessory holder of FIG. 1; and,

FIG. 7 is a bottom plan view of the firearm and accessory holder of FIG. 1.

**1 Claim, 7 Drawing Sheets**



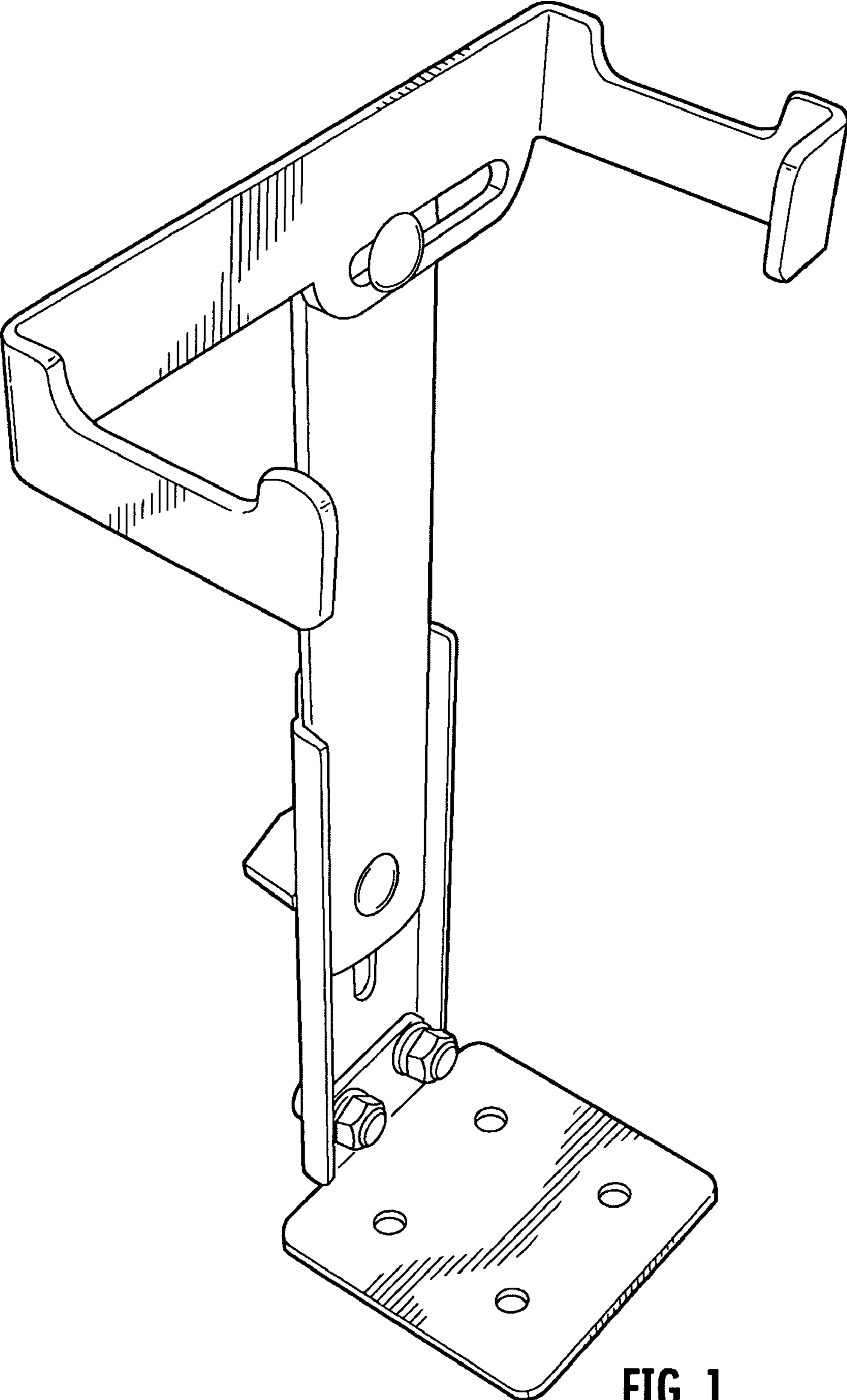


FIG. 1

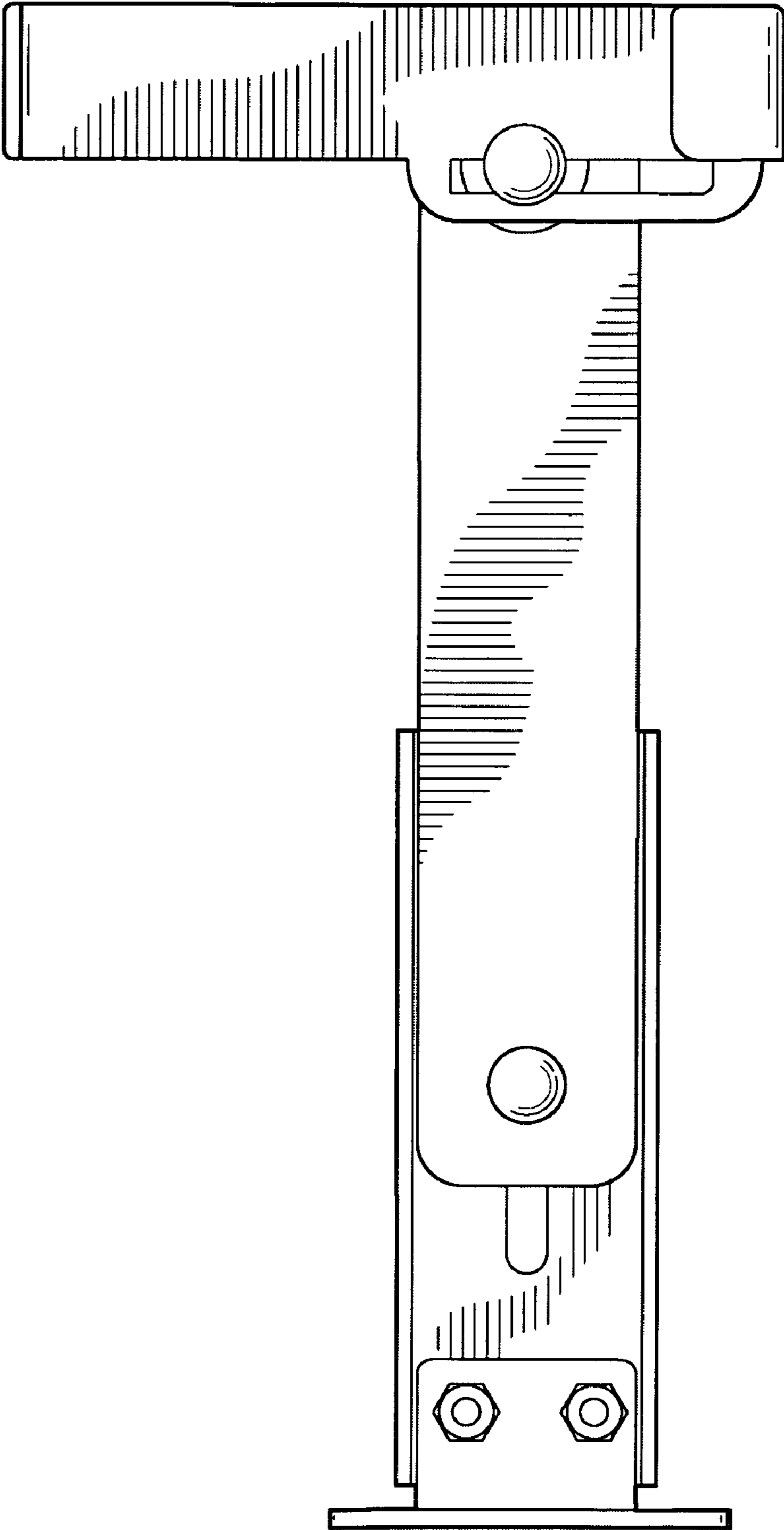


FIG. 2

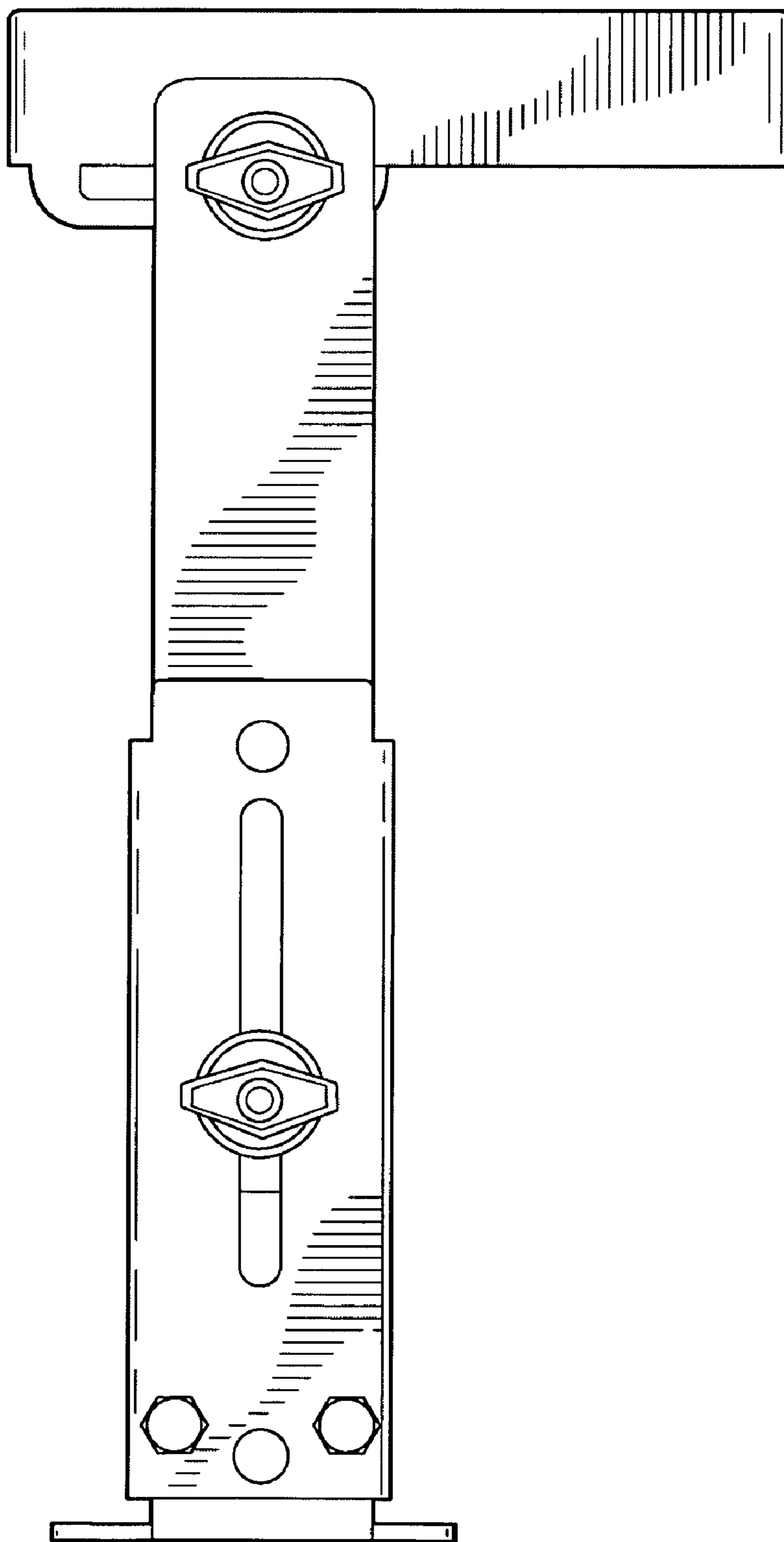


FIG. 3

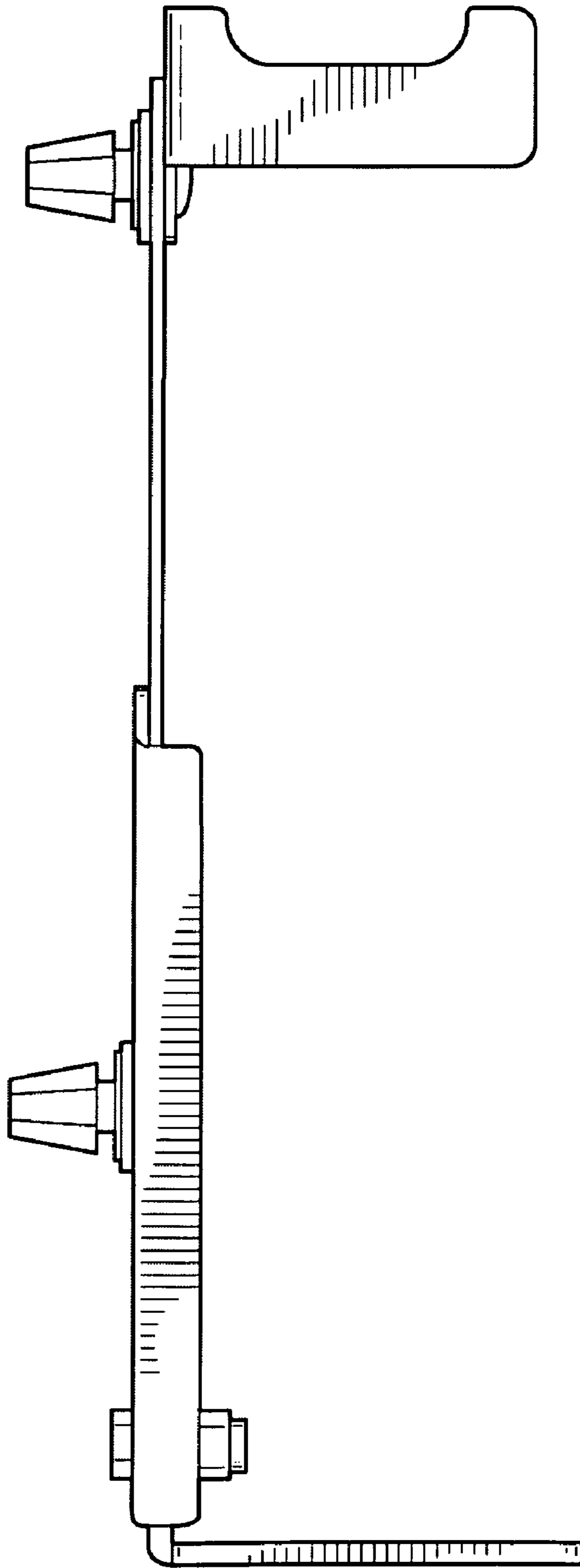


FIG. 4

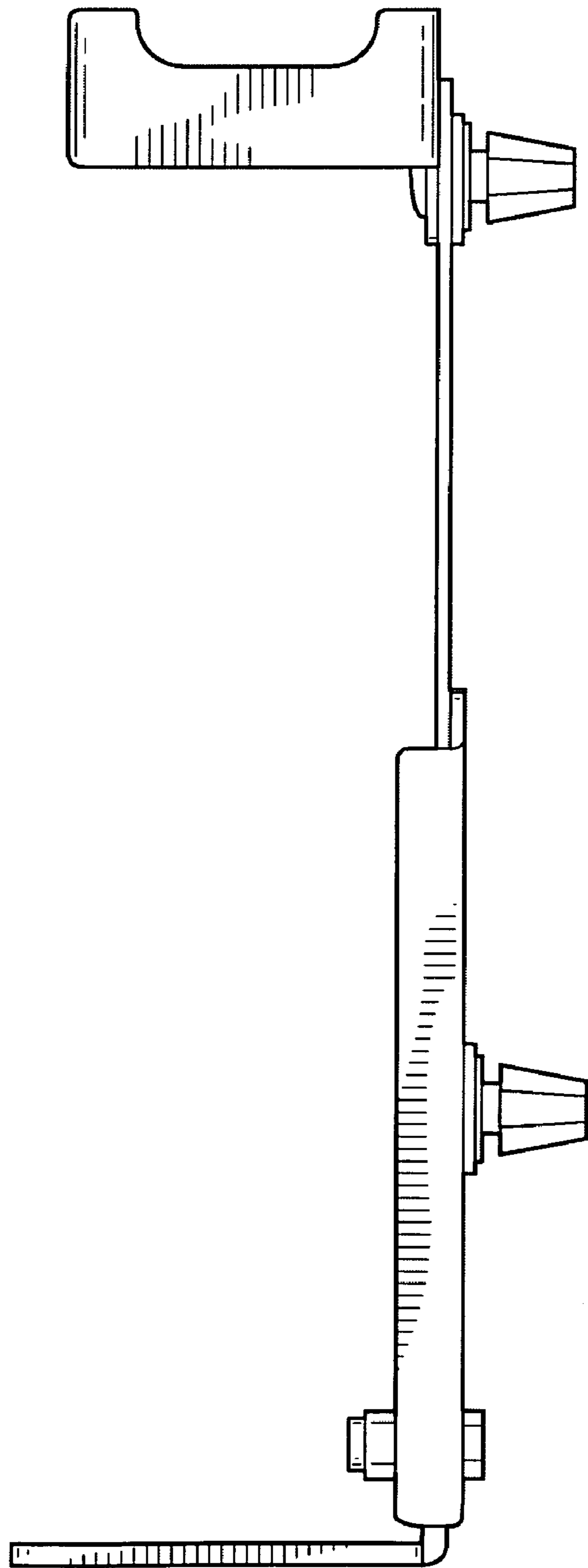


FIG. 5

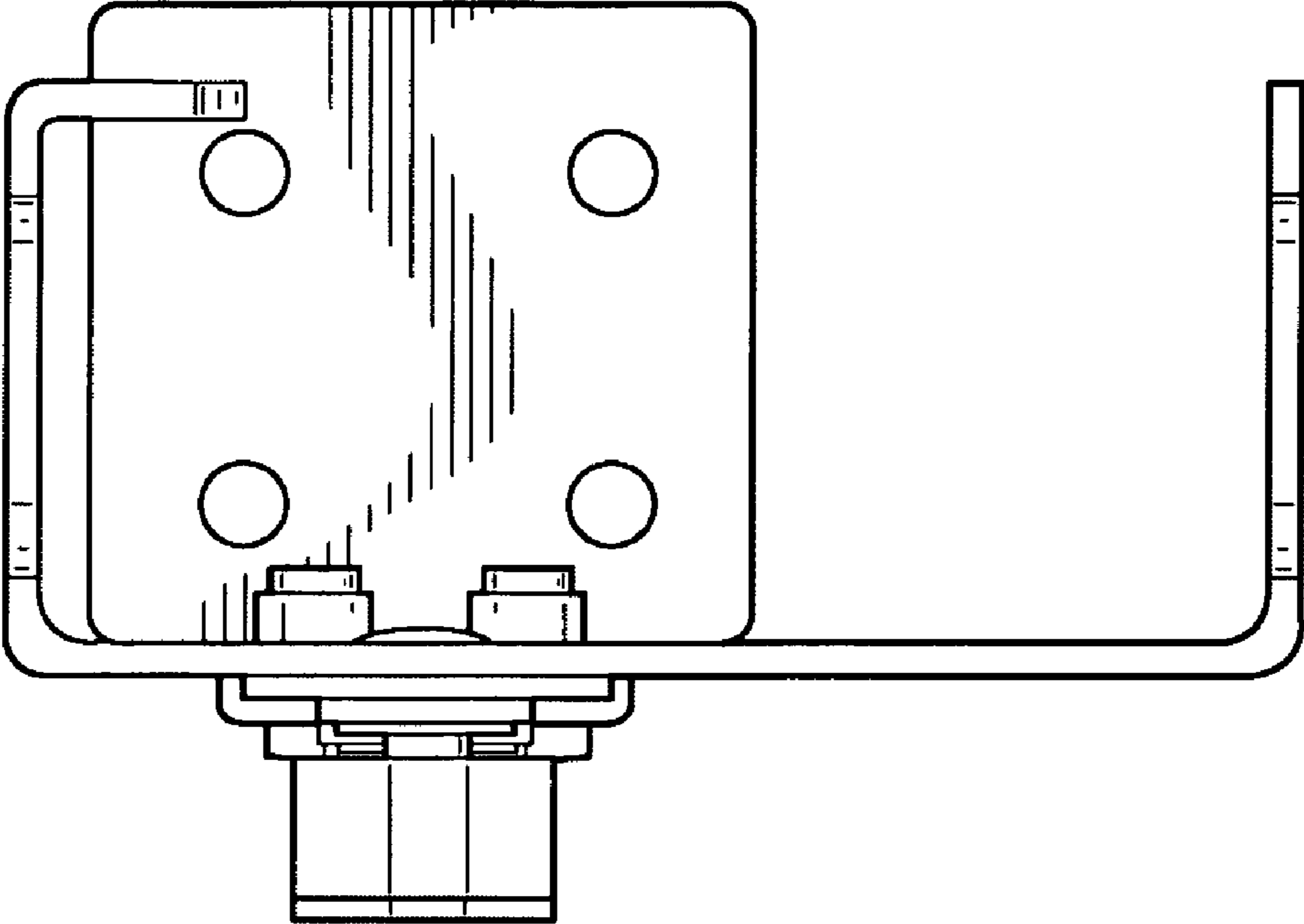
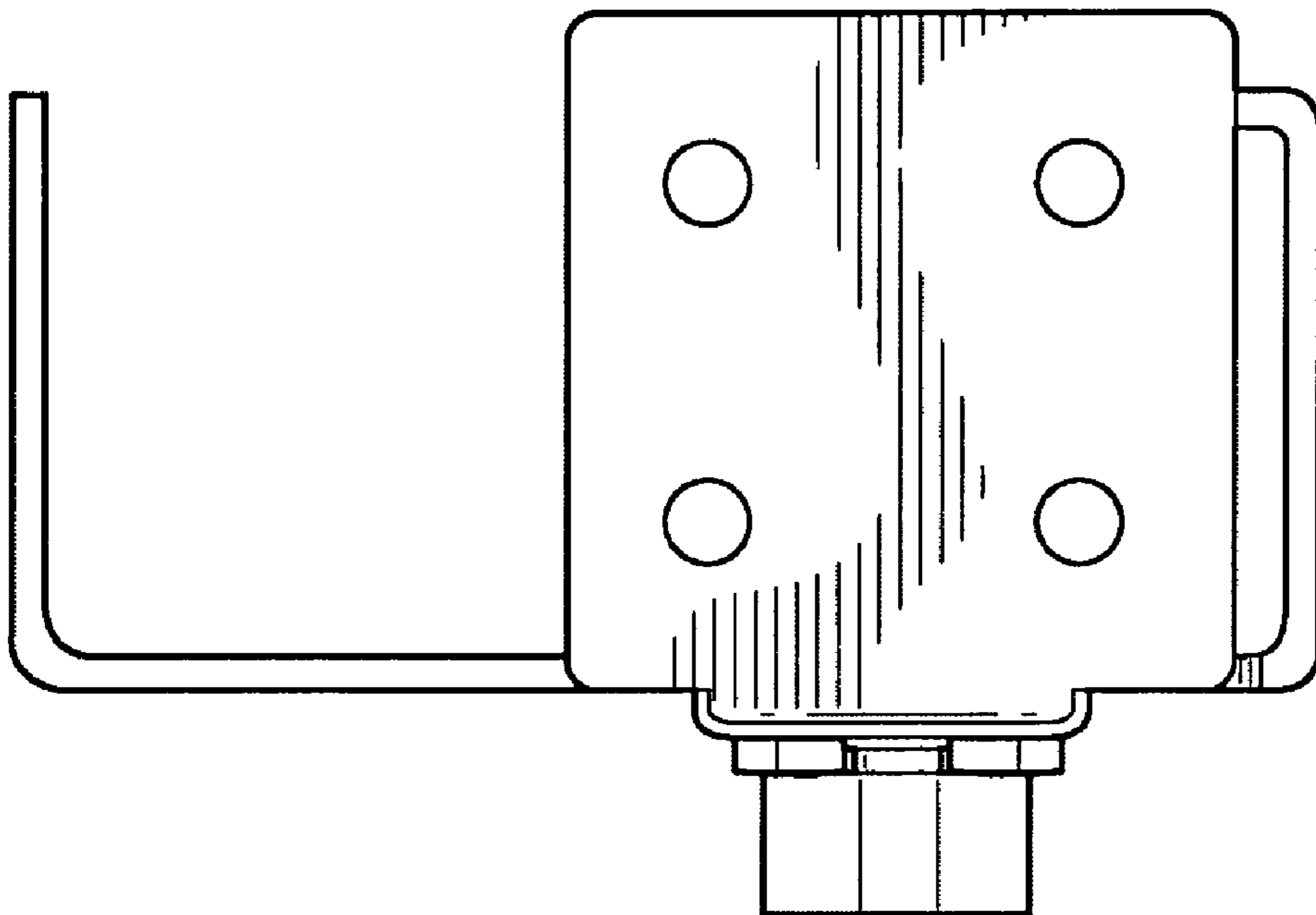


FIG. 6



**FIG. 7**