



US00D622990S

(12) **United States Design Patent**
Yang et al.

(10) **Patent No.:** **US D622,990 S**
(45) **Date of Patent:** **** Sep. 7, 2010**

(54) **SHELVING SYSTEM**

(75) Inventors: **Frank Yang**, Rancho Palos Verdes, CA (US); **Tzu-Hao Wei**, Hacienda Heights, CA (US); **Po Ling Huang**, Brussels (BE)

(73) Assignee: **simplehuman, LLC**, Torrance, CA (US)

(**) Term: **14 Years**

(21) Appl. No.: **29/334,143**

(22) Filed: **Mar. 20, 2009**

(51) **LOC (9) Cl.** **23-02**

(52) **U.S. Cl.** **D6/525**

(58) **Field of Classification Search** D6/524,
D6/525, 566, 536, 540; 211/13.1, 74, 71.01,
211/86.01, 75, 88.01, 90.01, 90.03, 106,
211/119, 126.1, 133.5, 181.1, 134
See application file for complete search history.

(56) **References Cited**

U.S. PATENT DOCUMENTS

141,186 A 7/1873 Thomas
(Continued)

OTHER PUBLICATIONS

U.S. Appl. No. 29/351,158, filed Dec. 1, 2009, Yang et al.
(Continued)

Primary Examiner—Brian N Vinson

(74) *Attorney, Agent, or Firm*—Knobbe, Martens, Olson & Bear LLP

(57) **CLAIM**

The ornamental design for a shelving system, as shown and described.

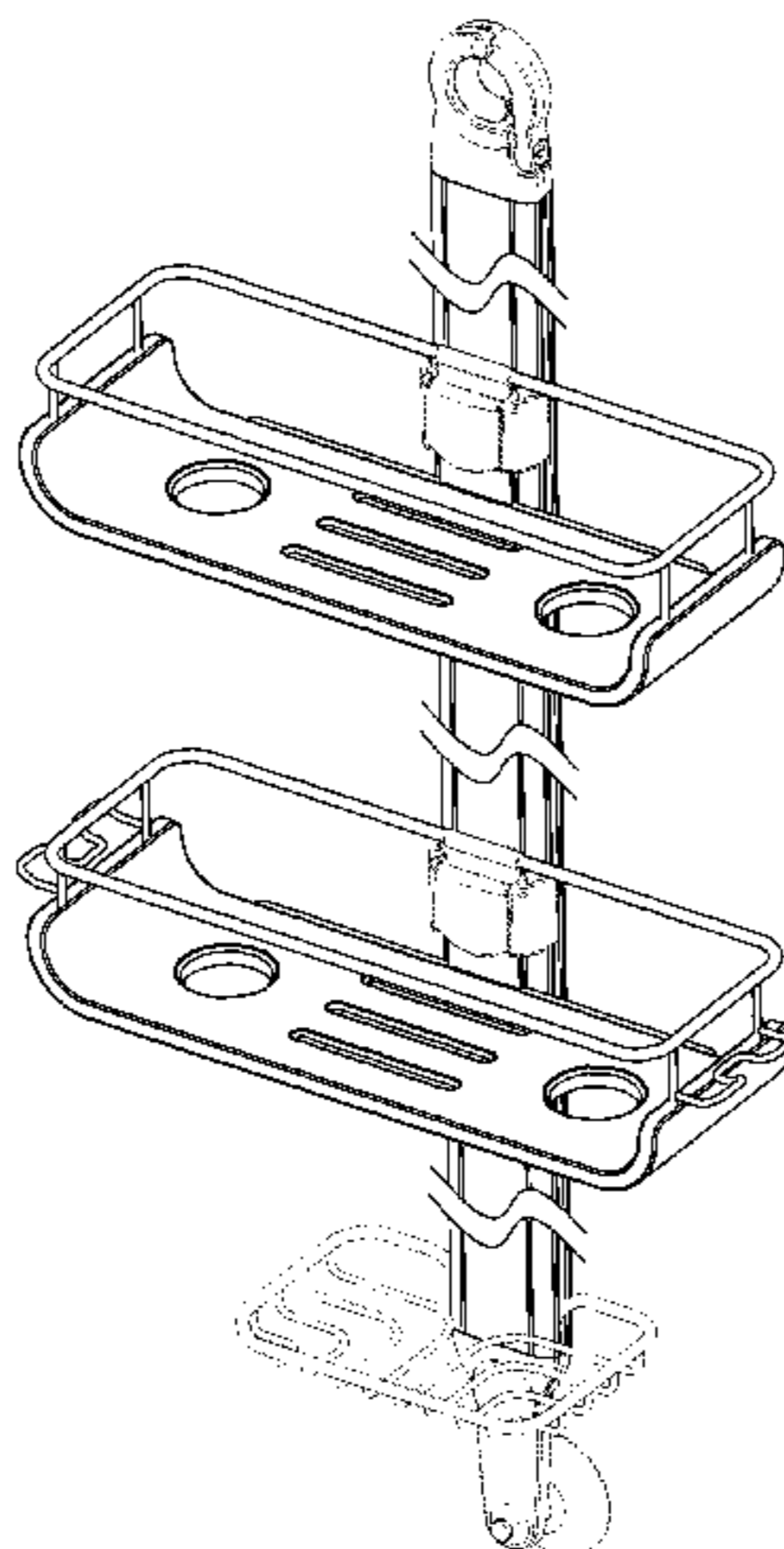
DESCRIPTION

FIG. 1 is a front, top, and right side perspective view of a first embodiment of shelving system showing my new design;

FIG. 2 is a front elevational view thereof;
FIG. 3 is an additional front elevational view thereof;
FIG. 4 is a rear elevational view thereof;
FIG. 5 is a left side elevational view thereof;
FIG. 6 is an additional left side elevational view thereof;
FIG. 7 is a bottom plan view thereof;
FIG. 8 is an additional bottom plan view thereof;
FIG. 9 is a top plan view thereof;
FIG. 10 is an additional top plan view thereof;
FIG. 11 is a front, top, and right side perspective view of a second embodiment of shelving system embodying my new design;
FIG. 12 is a front elevational view thereof;
FIG. 13 is a rear elevational view thereof;
FIG. 14 is a left side elevational view thereof;
FIG. 15 is a bottom plan view thereof;
FIG. 16 is an additional bottom plan view thereof;
FIG. 17 is a top plan view thereof;
FIG. 18 is an additional top plan view thereof;
FIG. 19 is a fragmentary enlarged top, front, and right side perspective view thereof, identified by the circle 19—19 of FIG. 11, showing a wood grain pattern in greater detail; and,
FIG. 20 is a fragmentary enlarged top, front, and right side perspective view thereof, identified by the circle 20—20 of FIG. 11, showing a wood grain pattern in greater detail.

The broken-line disclosure in the views is understood to represent portions of the article in which the claimed design is embodied, but which form no part of the claimed design. FIGS. 3, 5, 8, 10, 16, and 18 are understood to disclose the claimed design without disclaimed matter for clarity of illustration. The vertical post element in the disclosure is shown broken-away, and is understood to show that the vertical posts have an unclaimed length between, above, and below the two horizontal elements. The wood grain in the disclosure is understood to cover the entire surface on which it is shown.

1 Claim, 15 Drawing Sheets



US D622,990 S

Page 2

U.S. PATENT DOCUMENTS					
			4,511,047 A	4/1985	Elinsky
			4,541,131 A	9/1985	Sussman
			4,559,879 A	12/1985	Hausser
			D286,599 S	11/1986	Sussman
			D289,353 S	4/1987	Davis et al.
			4,761,092 A	8/1988	Nakatani
			4,776,471 A	10/1988	Elkins
			4,786,022 A	11/1988	Grieshaber
			4,860,909 A	8/1989	Leumi
			4,865,283 A	9/1989	Parker
			4,909,467 A	3/1990	Shan-Pao
			D314,294 S	2/1991	Axhamre
			4,998,647 A	3/1991	Sharp
			5,014,860 A	5/1991	Emery
			5,023,755 A	6/1991	Rosenberg
			5,127,528 A	7/1992	Cone
			5,160,101 A	11/1992	Ferraro et al.
			5,180,067 A	1/1993	Conaway et al.
			5,192,427 A	3/1993	Eger et al.
			5,197,614 A	3/1993	Dalton et al.
			5,255,401 A	10/1993	Sambrookes et al.
			5,284,260 A	2/1994	Caligiuri, Sr.
			5,307,797 A	5/1994	Kleefeld
			5,318,175 A	6/1994	Stevens
			D351,751 S	10/1994	Brightbill et al.
			5,355,867 A	10/1994	Hall et al.
			5,462,178 A	10/1995	Wallach et al.
			5,483,761 A	1/1996	Simpson
			5,505,318 A	4/1996	Goff
			5,524,772 A	6/1996	Simmons
			5,632,049 A	5/1997	Chen
			D382,733 S	8/1997	Goetz
			5,666,940 A	9/1997	Kreiter
			D388,642 S	1/1998	Winter
			5,735,413 A	4/1998	Allen
			5,772,048 A	6/1998	Sopcisak
			5,772,050 A	6/1998	Shih
			D396,379 S	7/1998	Stoetzl
			D396,585 S	8/1998	Hofman
			5,833,192 A	11/1998	Buhrman
			D402,145 S	12/1998	Hofman et al.
			5,855,286 A	1/1999	Zaid
			5,899,423 A	5/1999	Albertini
			5,934,636 A	8/1999	Cyrell
			5,941,397 A	8/1999	Buchanan et al.
			5,984,114 A	11/1999	Frankel
			D417,991 S	12/1999	Hofman et al.
			D419,020 S	1/2000	Emery et al.
			6,017,009 A	1/2000	Swartz et al.
			D421,692 S	3/2000	Wojtowicz et al.
			D421,867 S	3/2000	Carville et al.
			D424,355 S	5/2000	Barton
			6,065,618 A	5/2000	Stetler
			D429,934 S	8/2000	Hofman
			6,113,042 A	9/2000	Welsch et al.
			6,135,668 A	10/2000	Lin
			D443,162 S	6/2001	Winter
			D444,333 S	7/2001	Ferrer Beltran
			D446,670 S	8/2001	Emery et al.
			6,302,280 B1	10/2001	Bermes
			6,311,856 B2	11/2001	Battaglia et al.
			6,318,572 B1	11/2001	Lai
			6,347,777 B1	2/2002	Webber et al.
			6,378,709 B1	4/2002	Stuart
			6,394,404 B1	5/2002	Cyrell
			6,409,029 B1	6/2002	Bermes
			D462,552 S *	9/2002	Emery et al. D6/525
			6,481,586 B1	11/2002	Hoff
			6,494,327 B2	12/2002	Huang
			D470,703 S *	2/2003	Hoernig D6/574
			6,520,351 B1	2/2003	Zadro
			6,527,473 B2	3/2003	Chen
			D473,411 S	4/2003	Walker
163,852 A	6/1875	Denman			
181,593 A	8/1876	Randall			
387,758 A	8/1888	Barnhart			
434,708 A	8/1890	Grier			
475,020 A	5/1892	Perry			
477,291 A	6/1892	Bomar			
496,961 A	5/1893	Trude			
543,935 A	8/1895	Hostler			
612,061 A	10/1898	Shambaugh			
613,231 A	11/1898	Bennett			
618,425 A	1/1899	Manger			
626,739 A	6/1899	Vanderman			
644,080 A	2/1900	Huebel			
839,339 A	12/1906	Tuttle			
845,917 A	3/1907	Worley			
913,955 A	3/1909	Hansen			
970,485 A	9/1910	Frey			
1,026,149 A	5/1912	Crane			
1,446,036 A	2/1923	Dodd			
1,478,339 A	12/1923	Jayne			
1,511,704 A	10/1924	Buck			
1,554,137 A	9/1925	Slifkin			
1,582,762 A	4/1926	Klock			
2,012,452 A	8/1935	Littell			
2,042,517 A	6/1936	Ellis			
2,254,770 A	9/1941	Bitney			
2,513,889 A	7/1950	Nillson			
2,677,519 A	5/1954	Hobson			
2,746,661 A	5/1956	Kaplan			
2,923,415 A	2/1960	Brown			
2,932,873 A	4/1960	Reichert			
2,937,766 A	5/1960	Penn			
2,941,669 A	6/1960	Palay et al.			
D188,332 S	7/1960	Salen			
D189,722 S	2/1961	Wolf			
2,976,003 A	3/1961	Foster			
2,977,953 A	4/1961	Miller			
3,035,708 A	5/1962	Freeman			
3,043,440 A	7/1962	Berlin			
3,059,374 A	10/1962	Bernay			
3,088,598 A	5/1963	Werneke			
D195,412 S	6/1963	Vernik			
3,111,723 A	11/1963	Bates			
3,115,107 A	12/1963	Glenney			
3,132,609 A	5/1964	Chesley			
3,181,923 A	5/1965	Gillon et al.			
3,266,764 A	8/1966	Briles			
3,307,710 A	3/1967	Negri			
3,319,983 A	5/1967	Zibell			
3,343,685 A	9/1967	Giambalvo			
3,593,857 A	7/1971	Hernes			
D222,276 S	10/1971	Ladder			
3,641,922 A	2/1972	Nachazel et al.			
3,695,455 A	10/1972	Larson			
3,787,078 A	1/1974	Williams			
3,789,996 A	2/1974	Stroh			
3,791,091 A	2/1974	Albrizzi			
3,907,119 A	9/1975	Franz			
3,923,162 A	12/1975	Hussey			
D239,579 S	4/1976	Taub			
3,998,334 A	12/1976	Smith			
4,096,951 A	6/1978	Menssen			
4,106,736 A	8/1978	Becker et al.			
4,232,790 A	11/1980	Serrano			
4,274,400 A	6/1981	Baus			
4,360,283 A	11/1982	Psotta			
4,387,811 A	6/1983	Ragir et al.			
4,415,091 A	11/1983	Wolff			
4,428,488 A	1/1984	McAvinn et al.			
4,437,450 A	3/1984	Connelly			
D274,201 S	6/1984	Aaron			

US D622,990 S

Page 3

6,540,430 B2	4/2003	Hsu	D572,060 S	7/2008	Snider	
6,550,739 B1	4/2003	Brindisi	D572,502 S	7/2008	Yang et al.	
6,551,226 B1	4/2003	Webber et al.	D572,516 S	7/2008	Snider	
D475,560 S	6/2003	Suero, Jr.	D573,386 S	7/2008	Clucas	
D475,561 S	6/2003	Suero, Jr.	D573,387 S	7/2008	Walker	
6,575,315 B2	6/2003	Zidek	D573,822 S	7/2008	Yang et al.	
6,581,790 B1	6/2003	Zadro	7,398,790 B2	7/2008	Glatz	
6,591,996 B1	7/2003	Wu	7,401,754 B2	7/2008	Welch et al.	
6,619,164 B1	9/2003	Ricci et al.	D574,649 S	8/2008	Snider	
6,648,152 B2	11/2003	Bermes	D574,650 S	8/2008	Snider	
6,688,238 B1	2/2004	Alexiou	D578,815 S *	10/2008	Dominique et al.	D6/566
6,726,034 B2	4/2004	Holbrook et al.	D587,504 S *	3/2009	Russell et al.	D6/570
D489,207 S	5/2004	Rosen	2001/0004064 A1	6/2001	Battaglia et al.	
D492,188 S	6/2004	Goldberg	2002/0158033 A1	10/2002	Chen	
6,758,355 B2	7/2004	Zidek	2002/0172549 A1	11/2002	Koros et al.	
D493,991 S	8/2004	Dretzka	2003/0132181 A1	7/2003	Saulnier-Matteini	
6,871,748 B2	3/2005	Suttles	2004/0188577 A1	9/2004	Gaderick	
6,918,498 B2	7/2005	Sparkowski	2005/0040301 A1	2/2005	Walter	
D509,361 S	9/2005	Suero, Jr.	2005/0139562 A1	6/2005	Chen	
D512,861 S	12/2005	Rosen	2005/0205722 A1	9/2005	Krueger	
6,983,853 B1	1/2006	Fickett	2006/0261022 A1	11/2006	Sampaio	
7,086,633 B2	8/2006	Welch et al.	2007/0045208 A1	3/2007	Quan	
D530,551 S	10/2006	Snell	2007/0235611 A1	10/2007	Riblet	
D534,062 S	12/2006	Van den Bosch	2007/0295681 A1	12/2007	Colin	
7,195,213 B2	3/2007	Weatherly	2008/0000859 A1	1/2008	Yang et al.	
D543,747 S	6/2007	Harwanko	2008/0035592 A1	2/2008	Yang et al.	
7,229,059 B1	6/2007	Hood	2008/0053935 A1	3/2008	Newbouild et al.	
D546,879 S	7/2007	Qiu	2008/0142669 A1	6/2008	Zlotocha	
7,246,711 B1	7/2007	Metcalf	2009/0188880 A1	7/2009	Yang et al.	
D552,393 S	10/2007	Rosen				
D564,257 S *	3/2008	Yang et al.				D6/462
7,347,197 B2	3/2008	Hankinson				
D566,991 S	4/2008	Harwanko				
D568,657 S	5/2008	Snider				
D568,658 S *	5/2008	Yang et al.				D6/525
D569,148 S	5/2008	Yang et al.				

OTHER PUBLICATIONS

U.S. Appl. No. 12/628,453, filed Dec. 1, 2009, Yang et al.
 U.S. Appl. No. 29/357,567, filed Mar. 12, 2010, Yang et al.
 U.S. Appl. No. 29/357,568, filed Mar. 12, 2010, Yang et al.
 U.S. Appl. No. 29/357,566, filed Mar. 12, 2010, Yang et al.

* cited by examiner

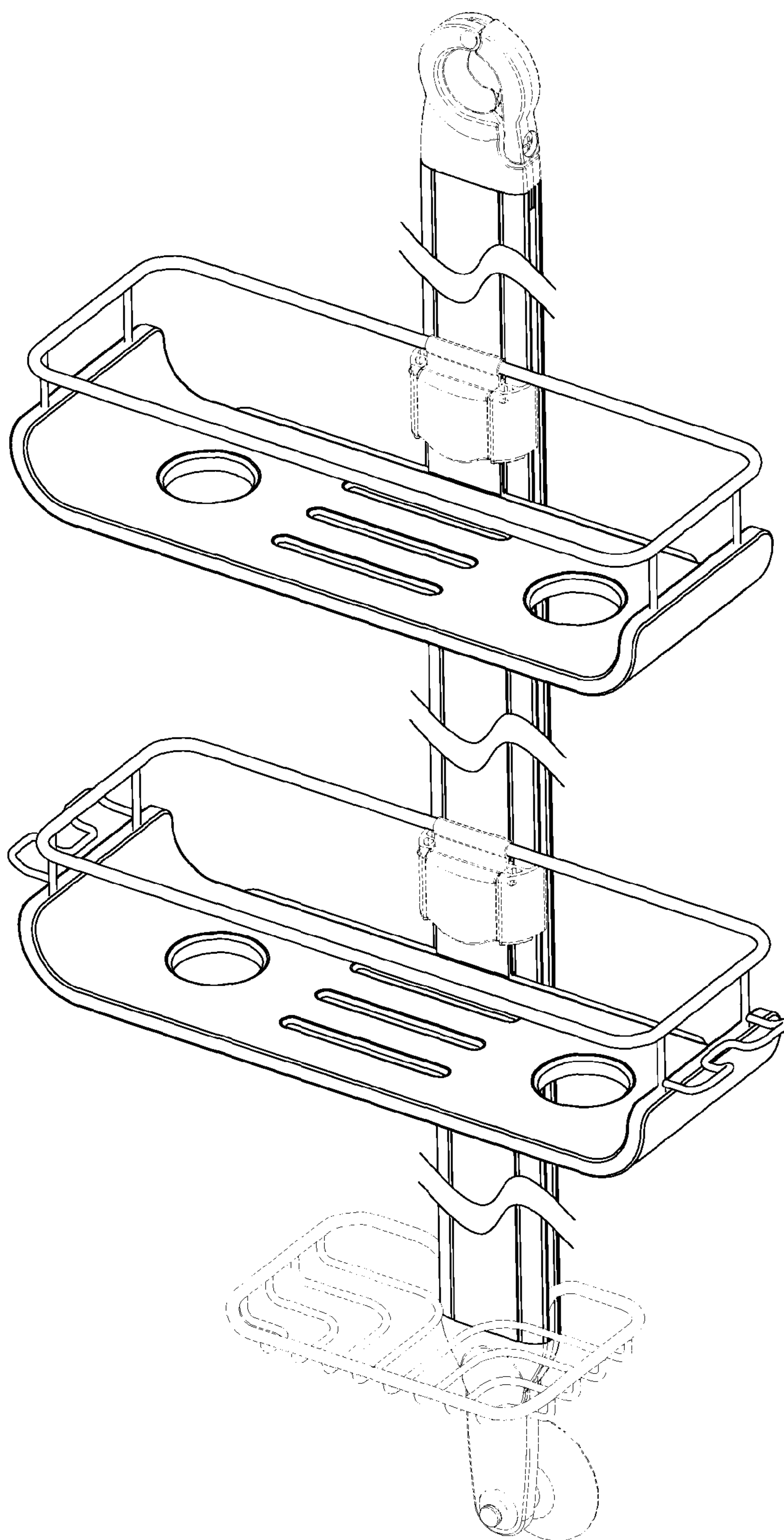


FIG. 1

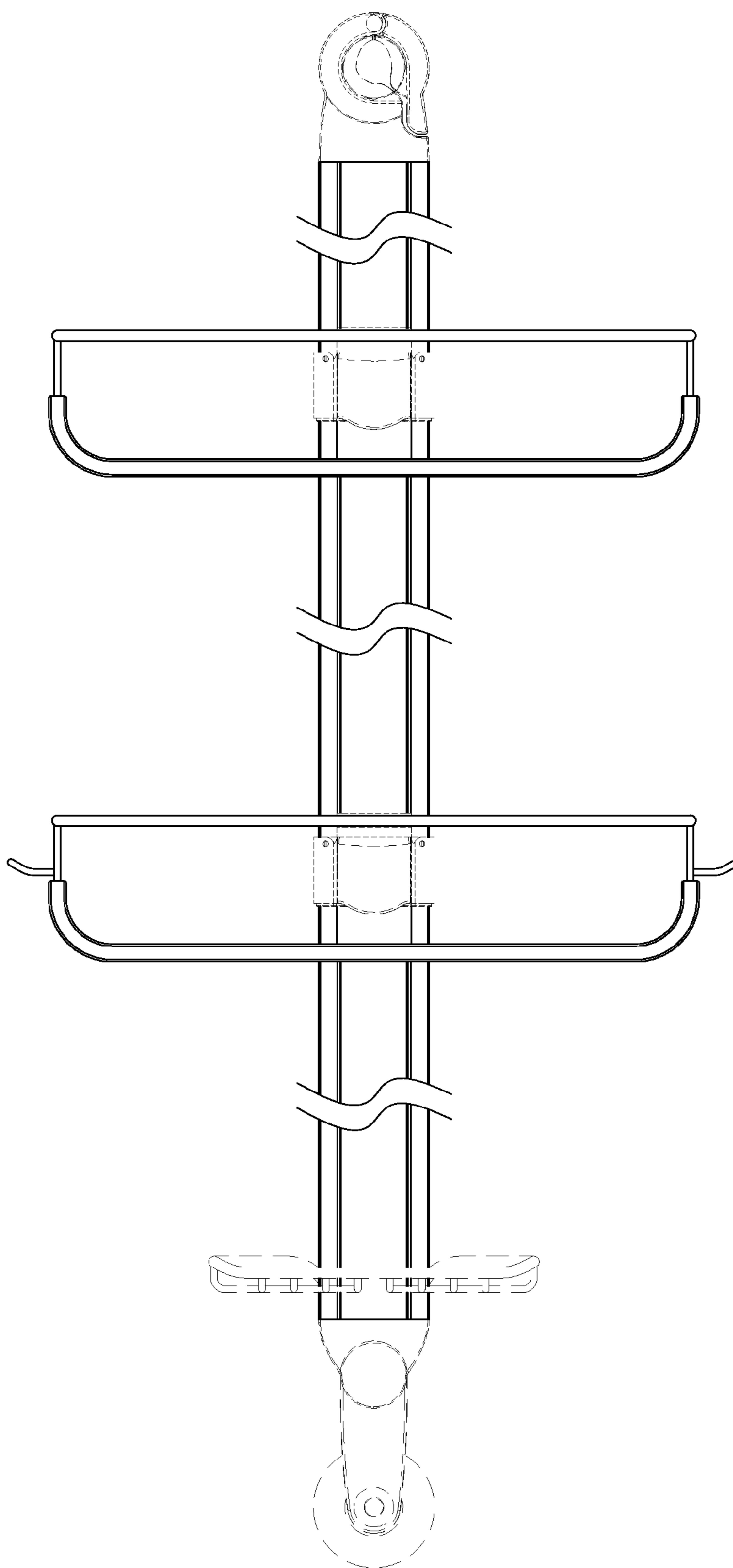


FIG. 2

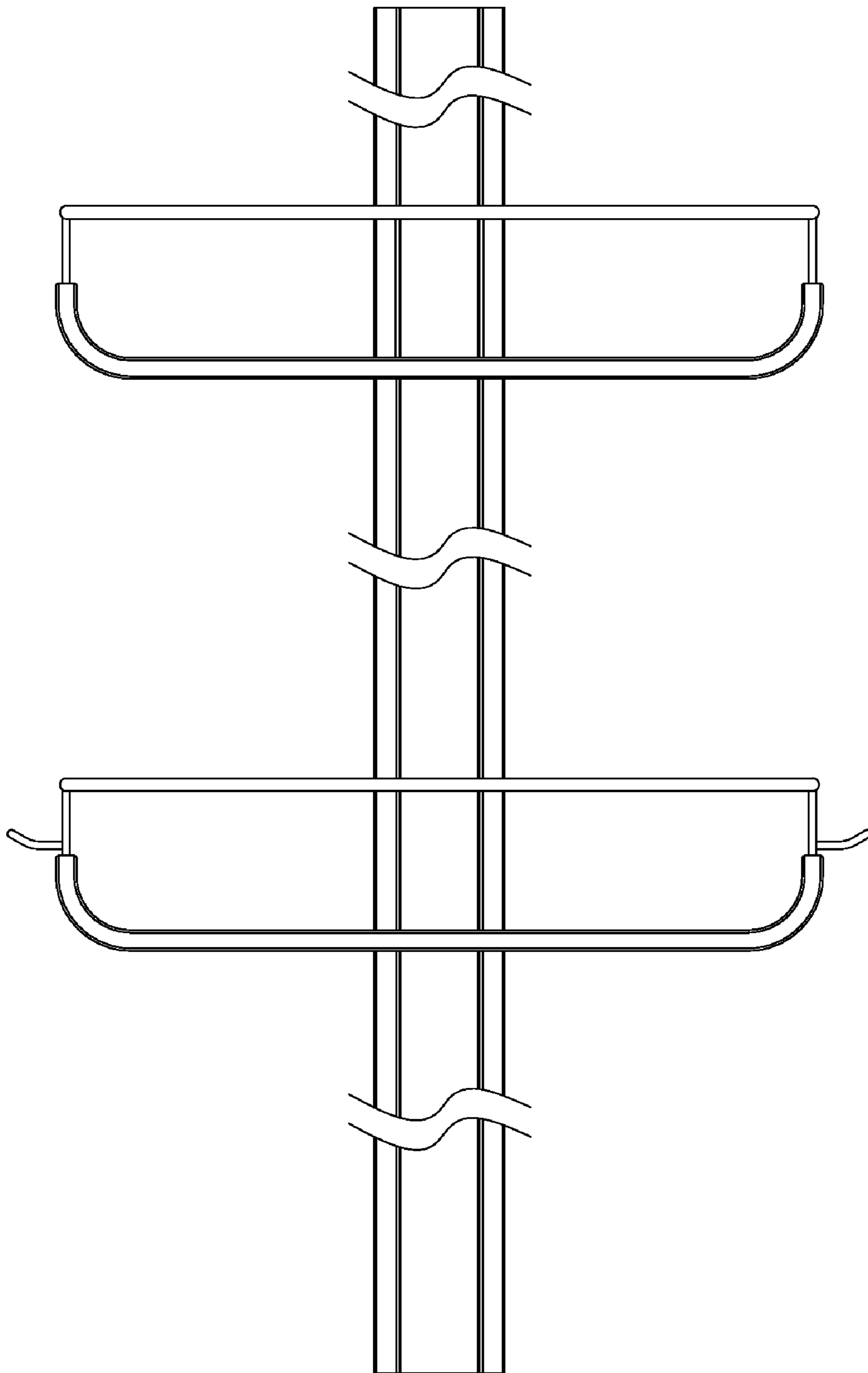


FIG. 3

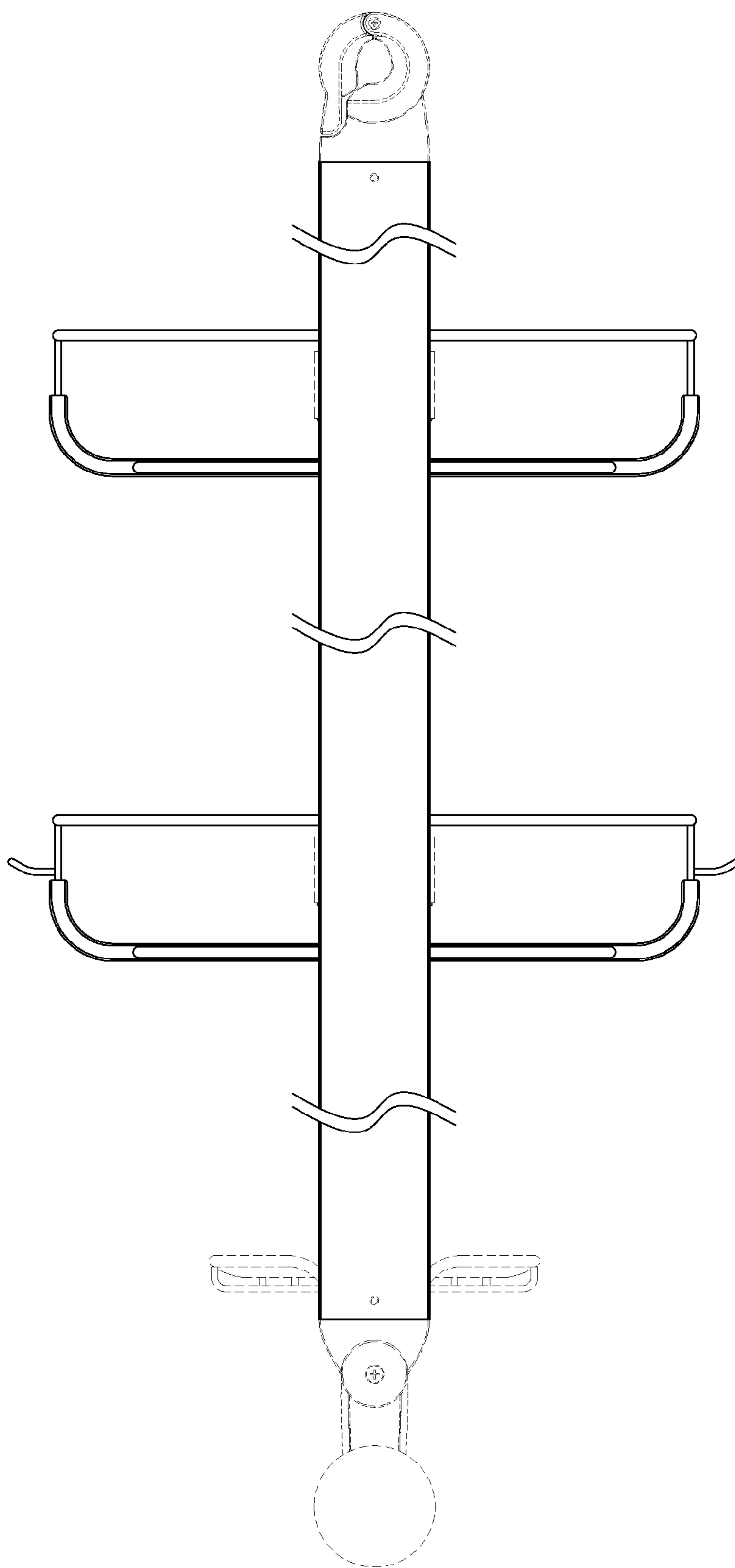


FIG. 4

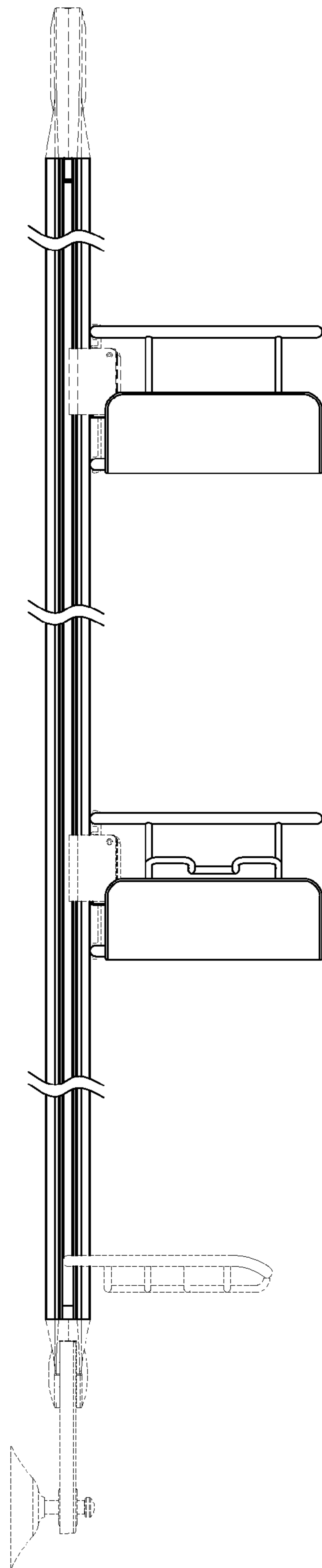


FIG. 5

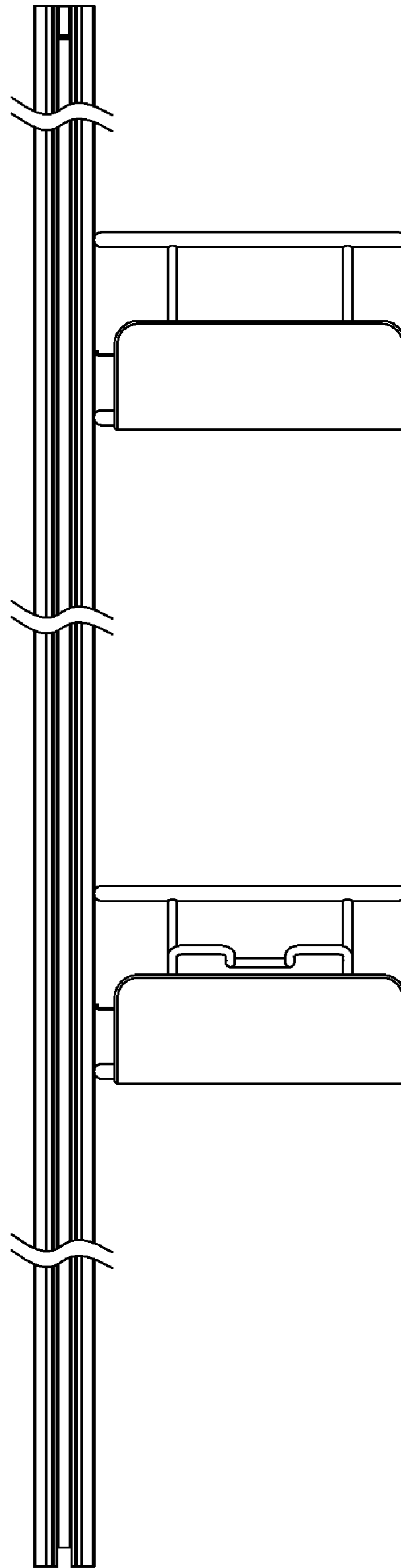


FIG. 6

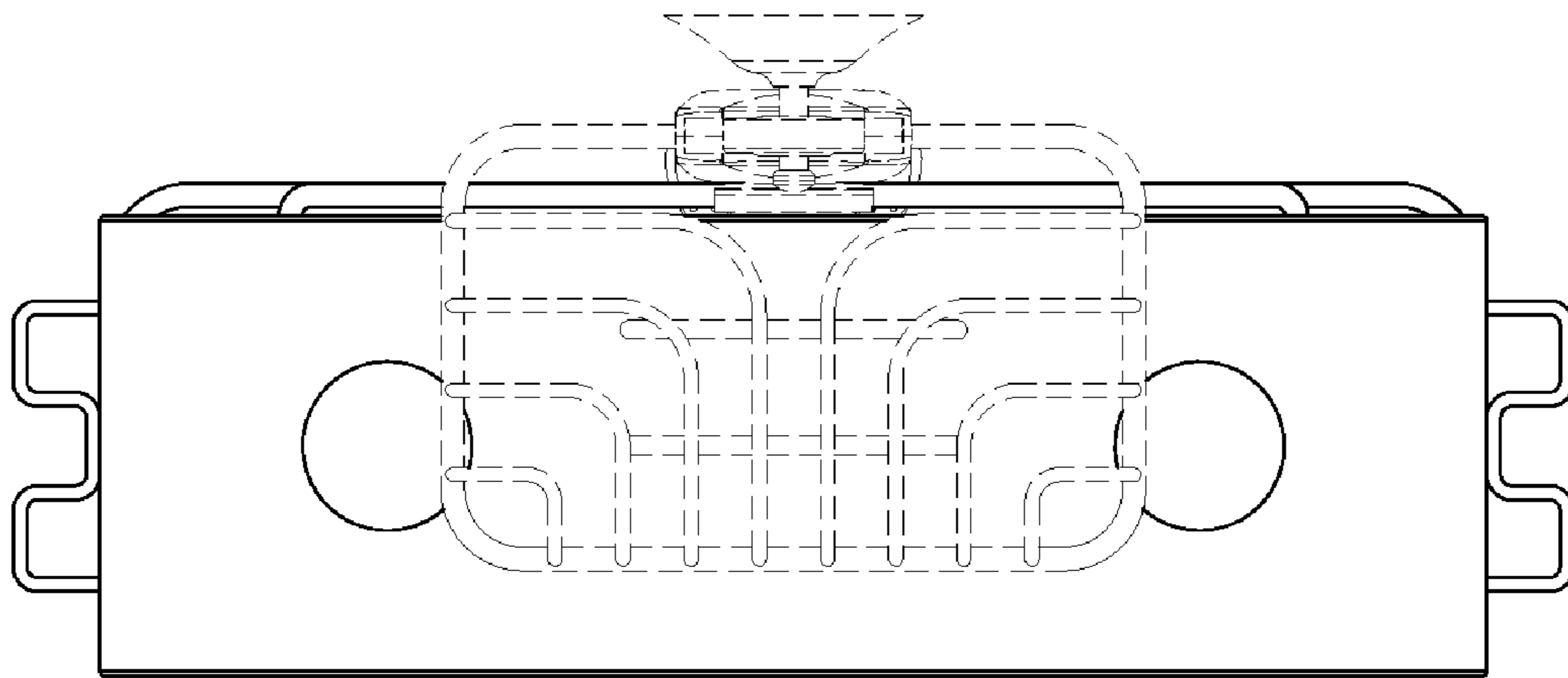


FIG. 7

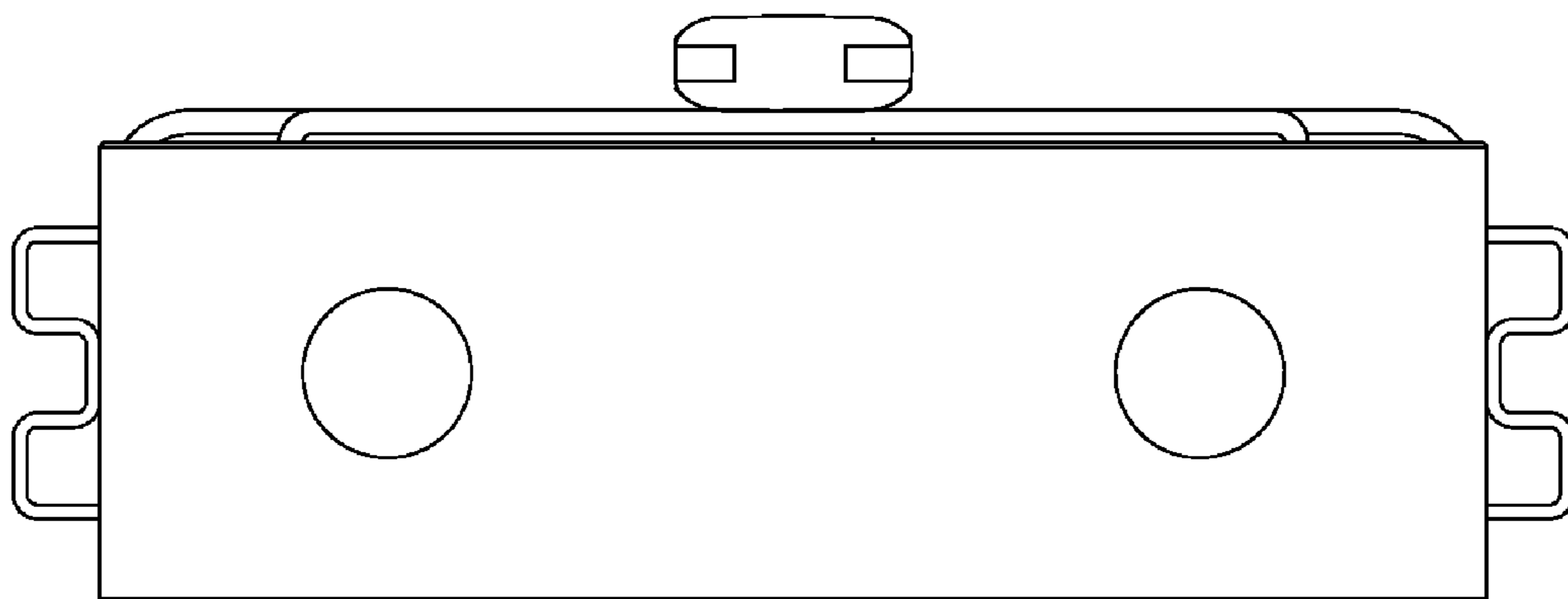


FIG. 8

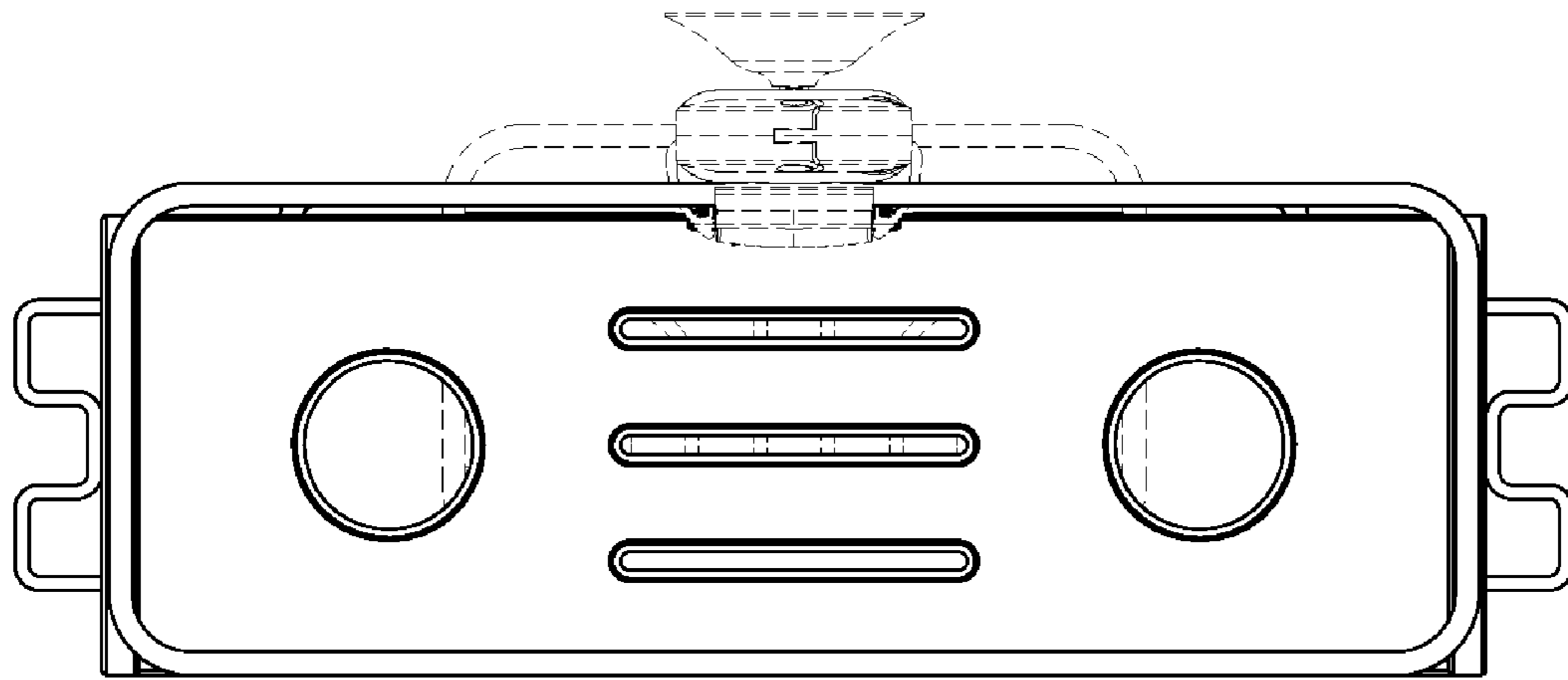


FIG. 9

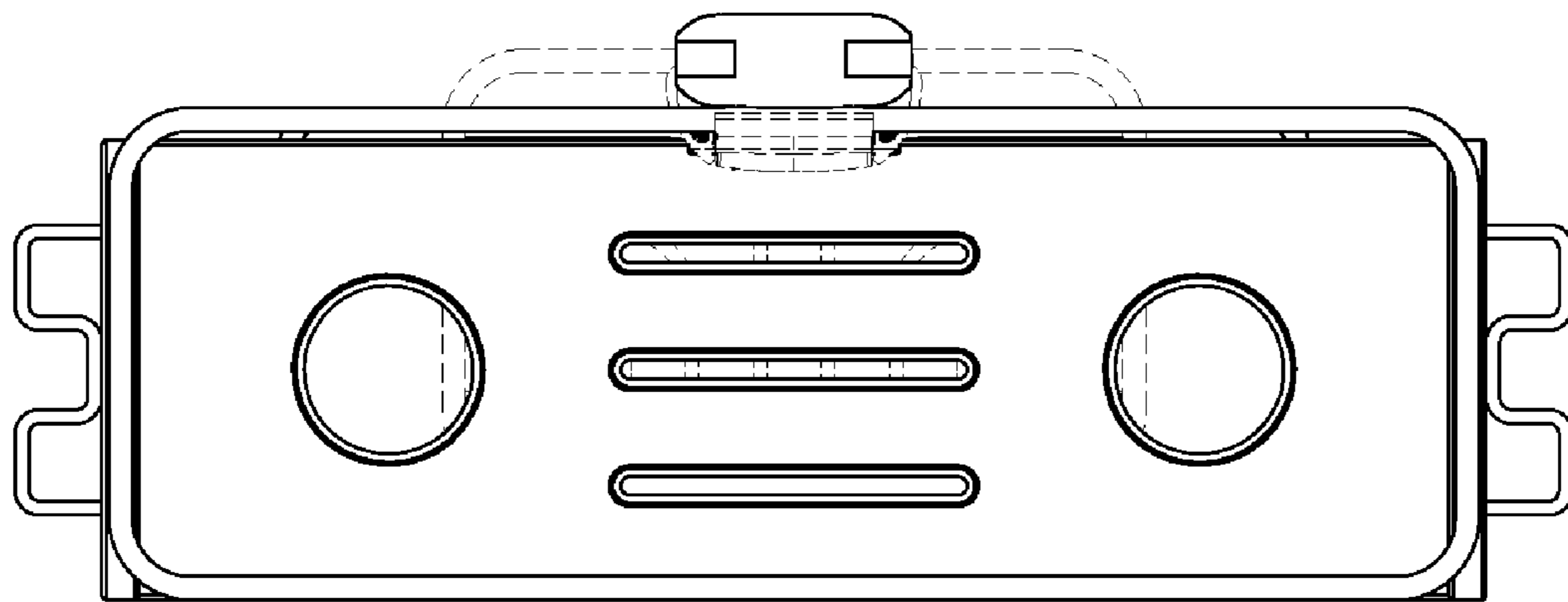


FIG. 10

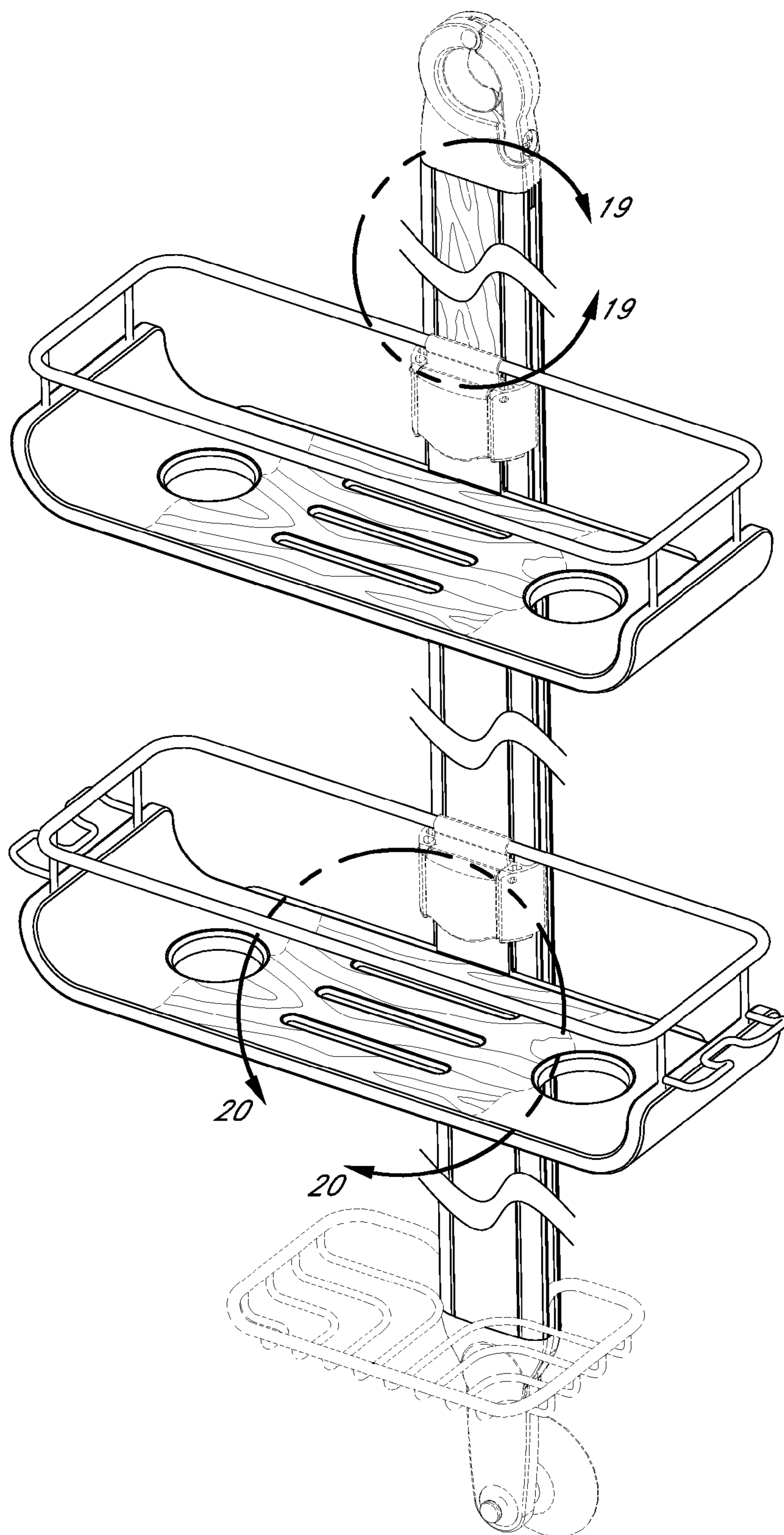


FIG. 11

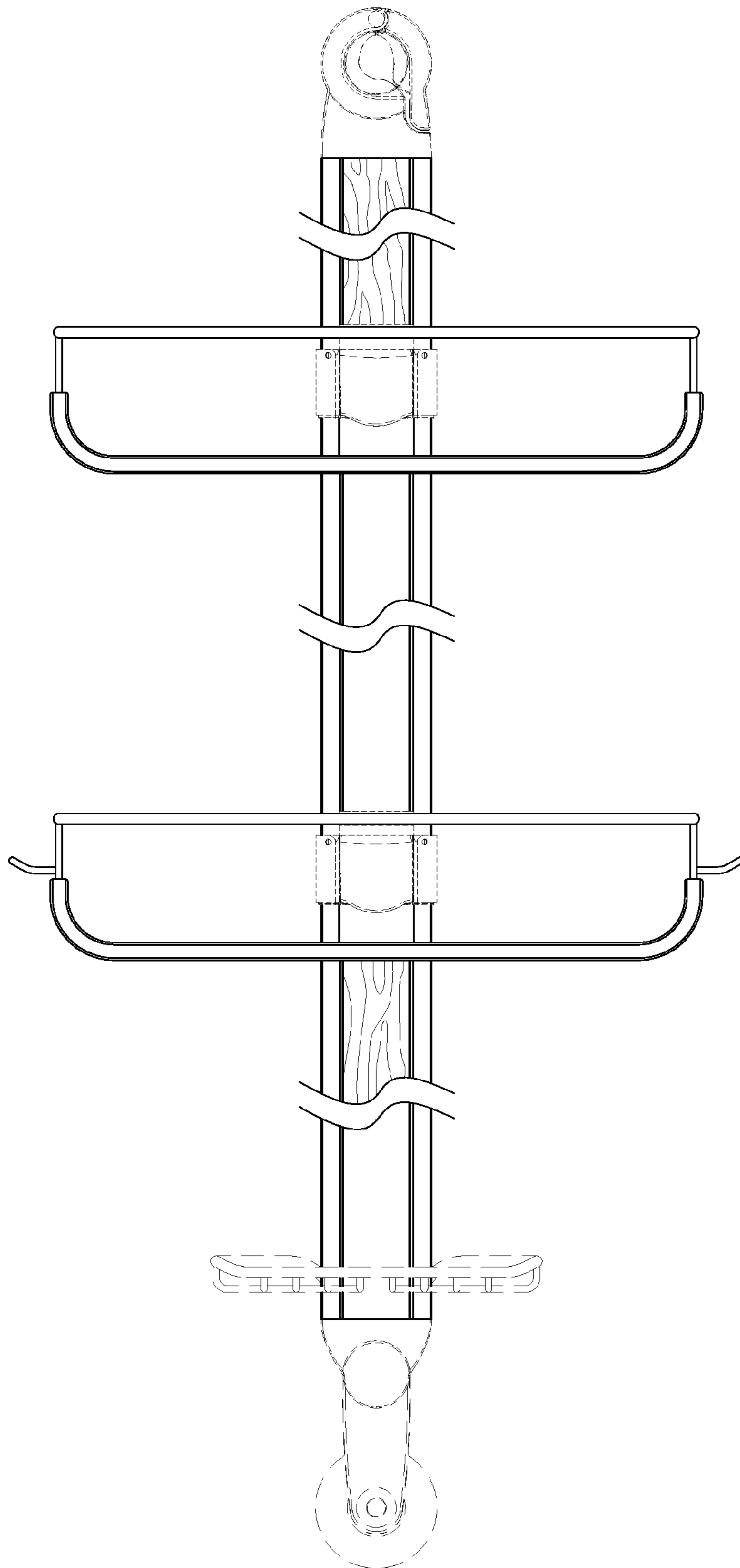


FIG. 12

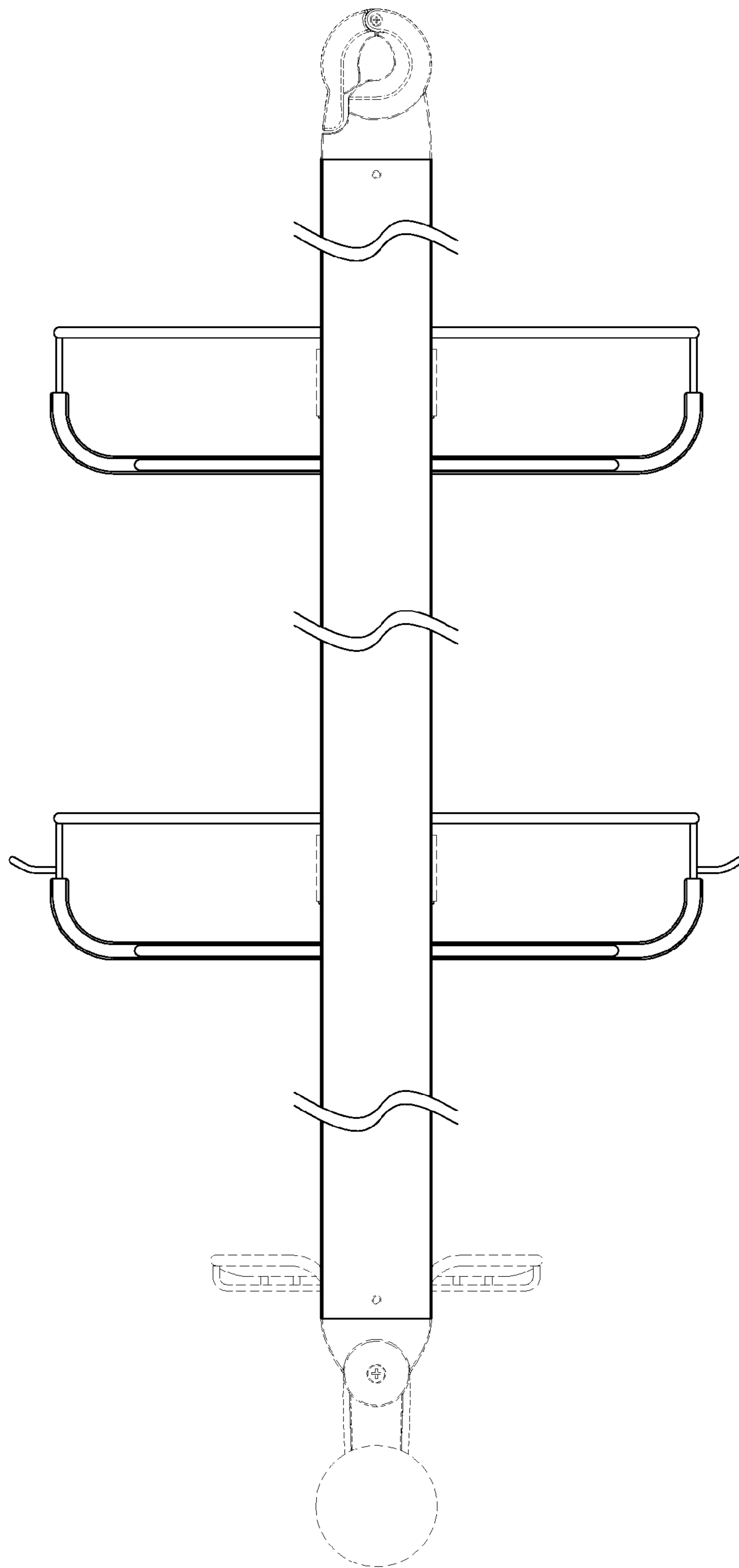


FIG. 13

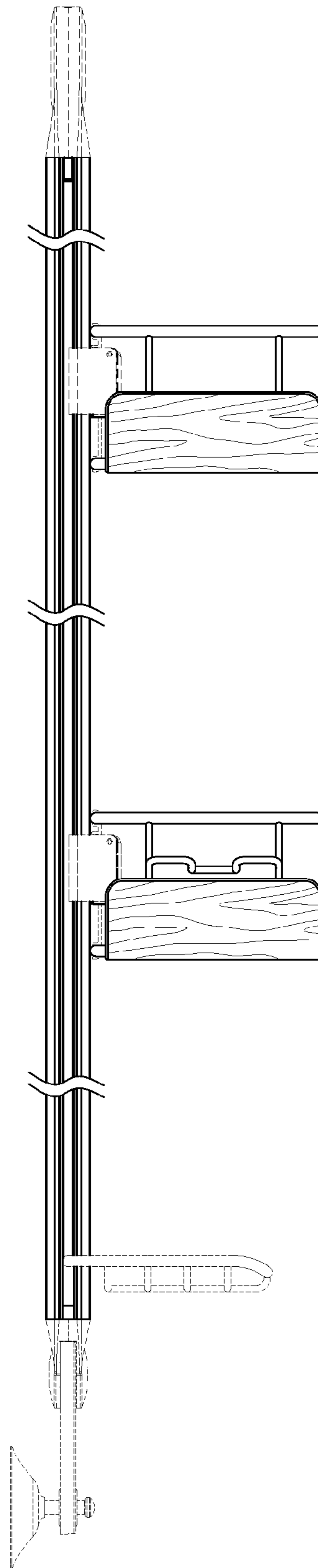


FIG. 14

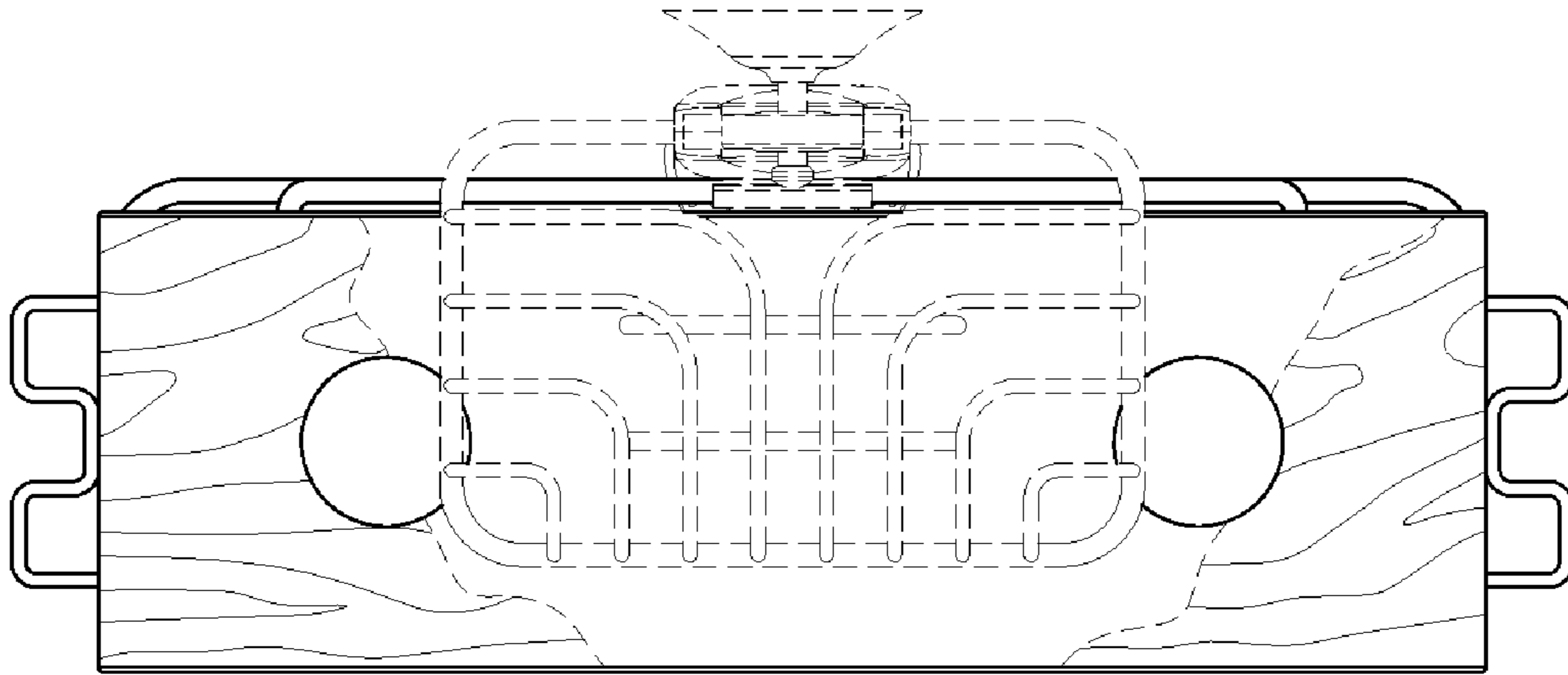


FIG. 15

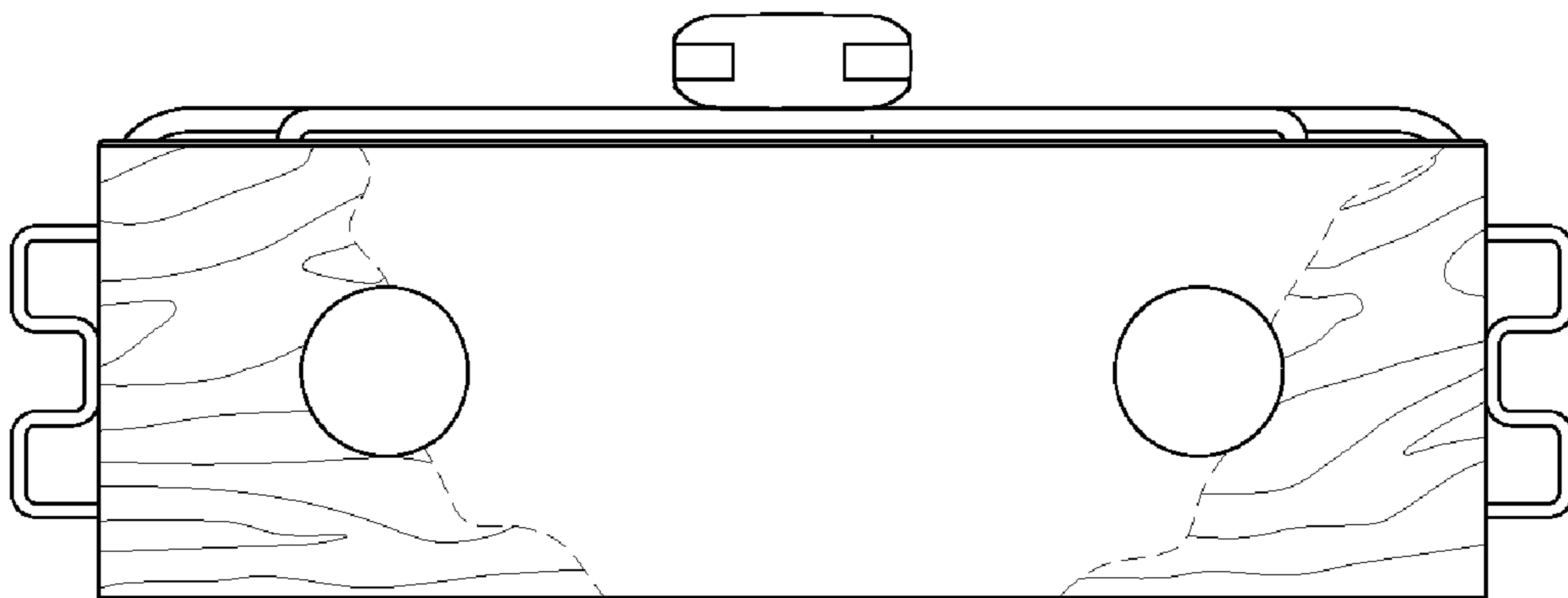


FIG. 16

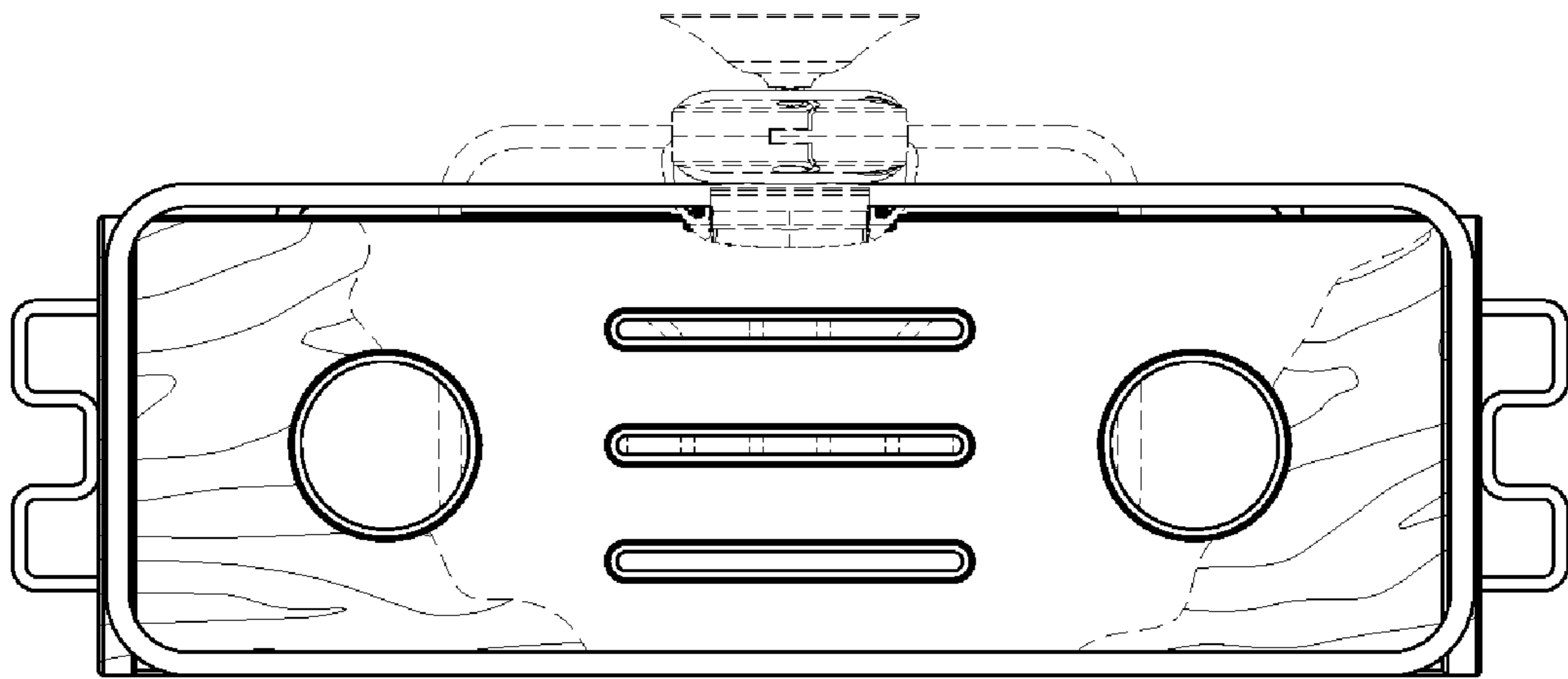


FIG. 17

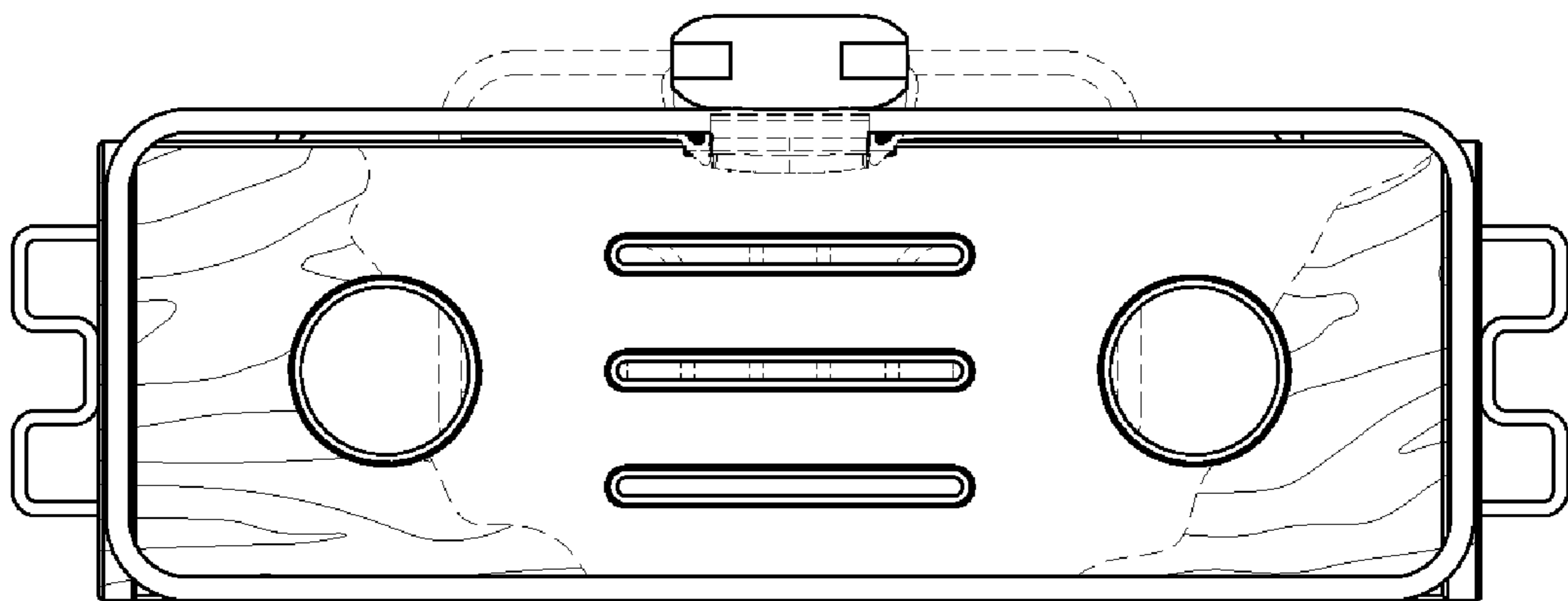


FIG. 18

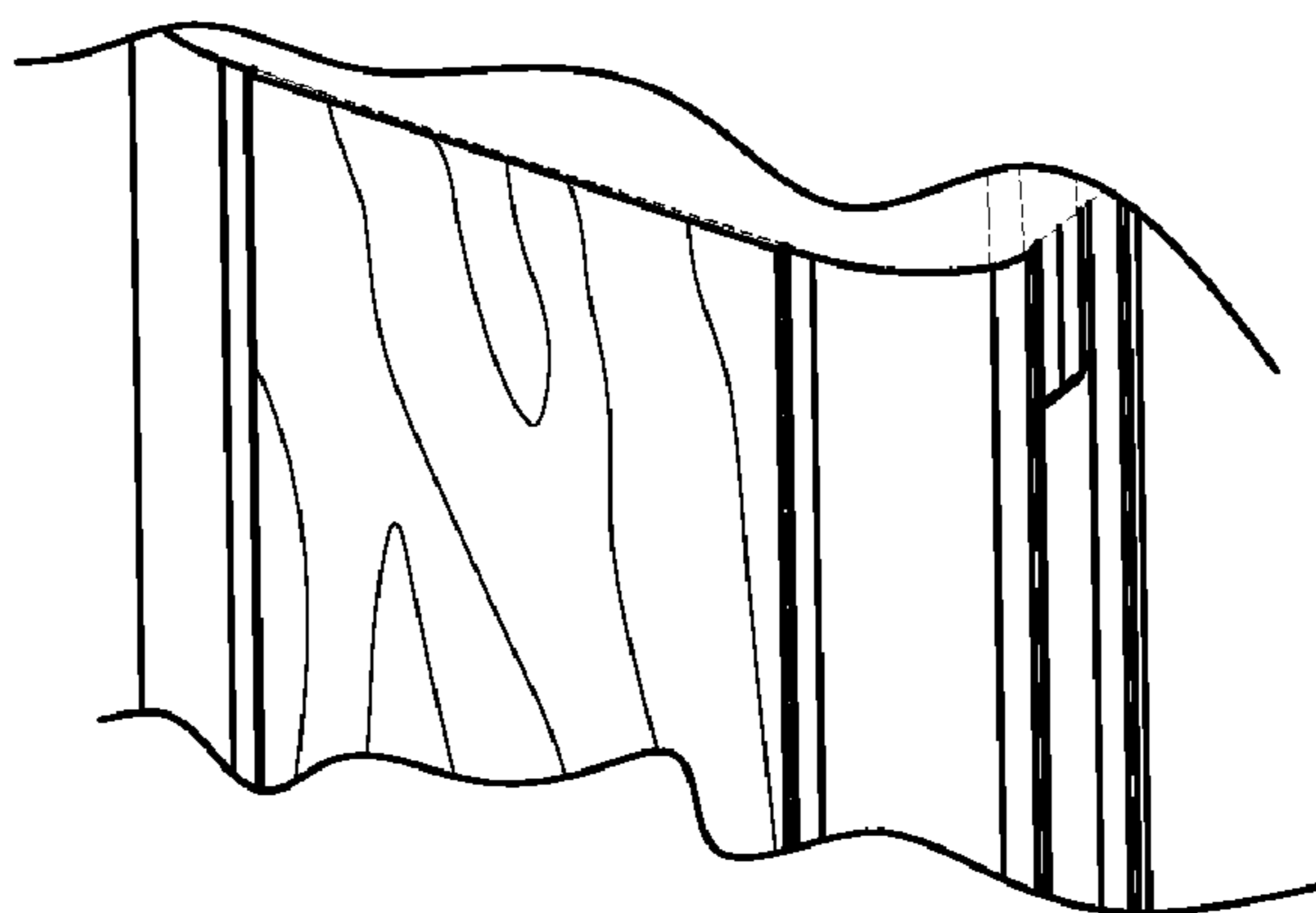


FIG. 19

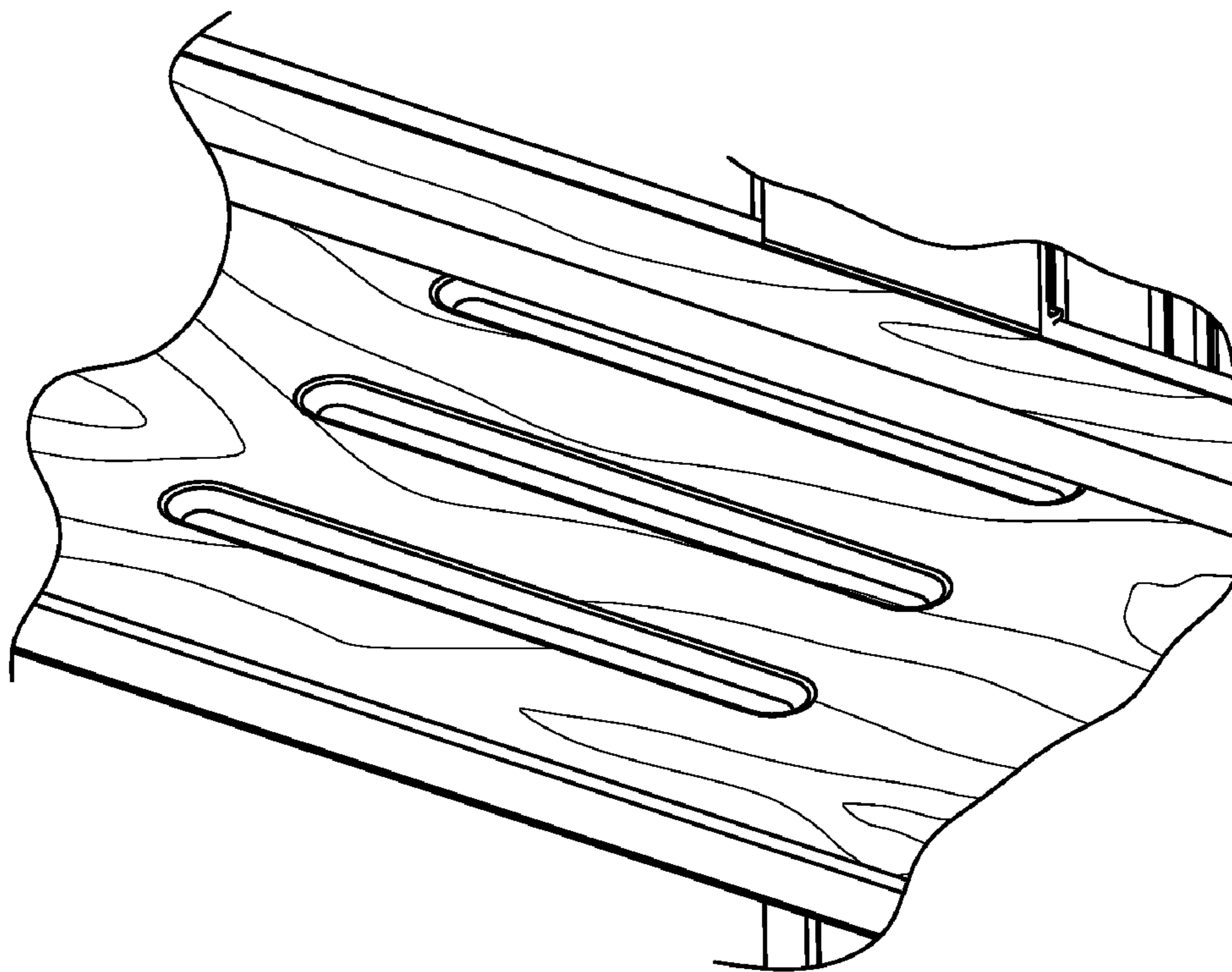


FIG. 20