



US00D622989S

(12) **United States Design Patent**  
**Lagler et al.**

(10) **Patent No.:** **US D622,989 S**  
(45) **Date of Patent:** **\*\* Sep. 7, 2010**

(54) **COMBINATION DRYER SHEET AND LINT  
RECEPTACLE AND DRYER SHEET  
DISPENSER**

(76) Inventors: **Robin A. Lagler**, 1361 N. 21st St.,  
Allentown, PA (US) 18104; **Tab M.  
Lagler**, 1361 N. 21st St., Allentown, PA  
(US) 18104

(\*\*) Term: **14 Years**

(21) Appl. No.: **29/343,325**

(22) Filed: **Sep. 10, 2009**

(51) **LOC (9) Cl.** ..... **20-02**

(52) **U.S. Cl.** ..... **D6/515**

(58) **Field of Classification Search** ..... D6/515,  
D6/523; 206/225, 233, 389, 391, 812, 824,  
206/63.5; 211/13.1, 45; 222/173, 180; 221/16,  
221/33, 282, 283; 242/925, 570, 590; 248/309.1,  
248/309.2, 905; D9/307, 521, 529, 419,  
D9/420; D3/20, 301; D28/66

See application file for complete search history.

(56) **References Cited**

**U.S. PATENT DOCUMENTS**

1,688,242 A 10/1928 Lawrence et al.  
1,994,394 A 3/1935 Horwitt  
2,007,042 A 7/1935 Duckett

2,841,275 A 7/1958 Schwimmer et al.  
3,089,586 A 5/1963 Cole  
D286,235 S 10/1986 Collins  
4,644,689 A 2/1987 Arians  
5,054,612 A 10/1991 Meyer, Jr.  
6,364,156 B1 4/2002 Smith et al.  
D536,560 S \* 2/2007 Hajianpour ..... D6/518  
D579,702 S \* 11/2008 McArdle ..... D6/515  
D600,959 S \* 9/2009 Serfaty ..... D6/518  
D605,442 S \* 12/2009 Elhalwani ..... D6/515

\* cited by examiner

*Primary Examiner*—Brian N Vinson

(57) **CLAIM**

The ornamental design for a combination dryer sheet and lint receptacle and dryer sheet dispenser, as shown and described.

**DESCRIPTION**

FIG. 1 is a perspective view of combination dryer sheet and lint receptacle and dryer sheet dispenser showing my new design;

FIG. 2 is a front view thereof;

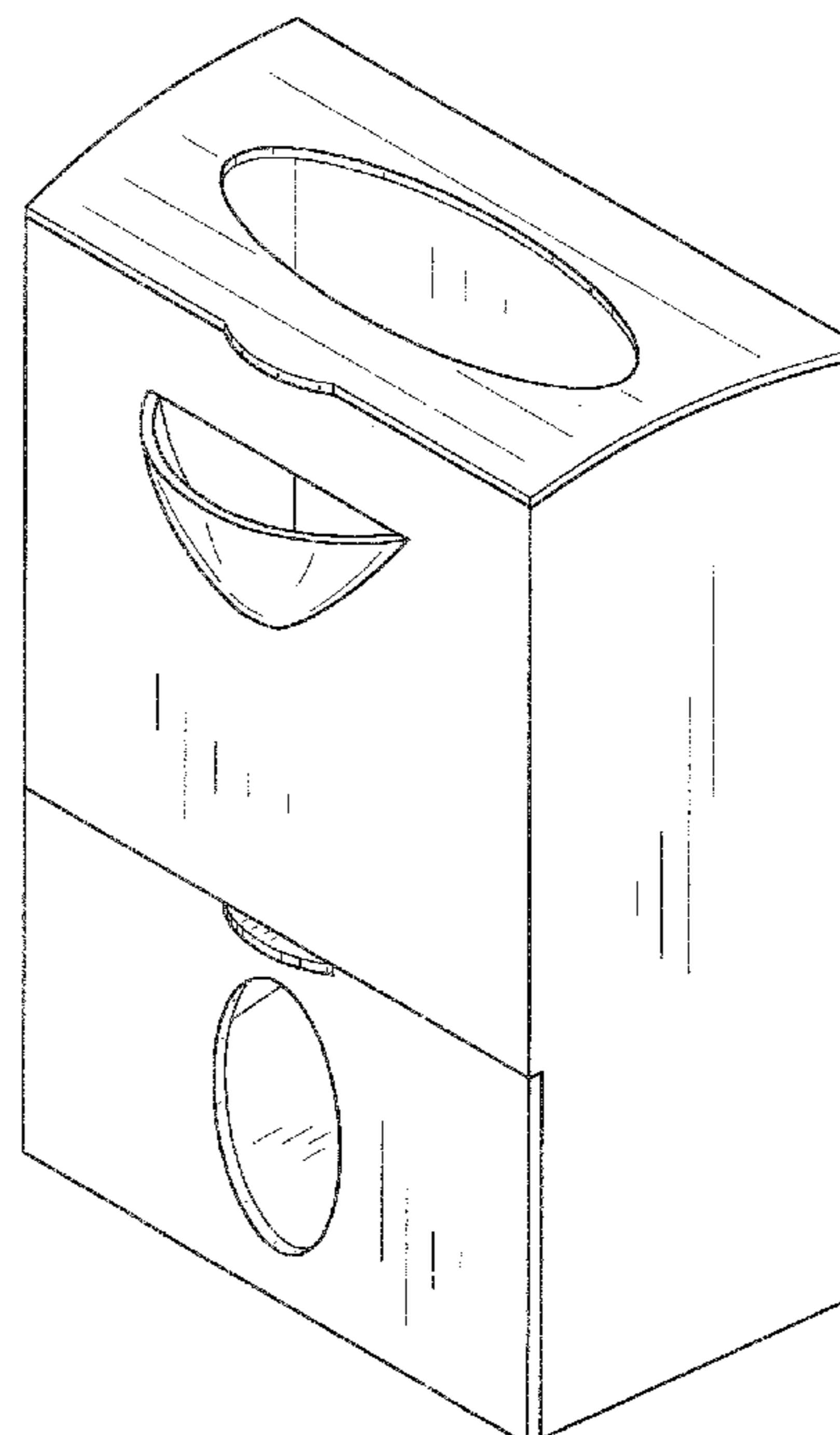
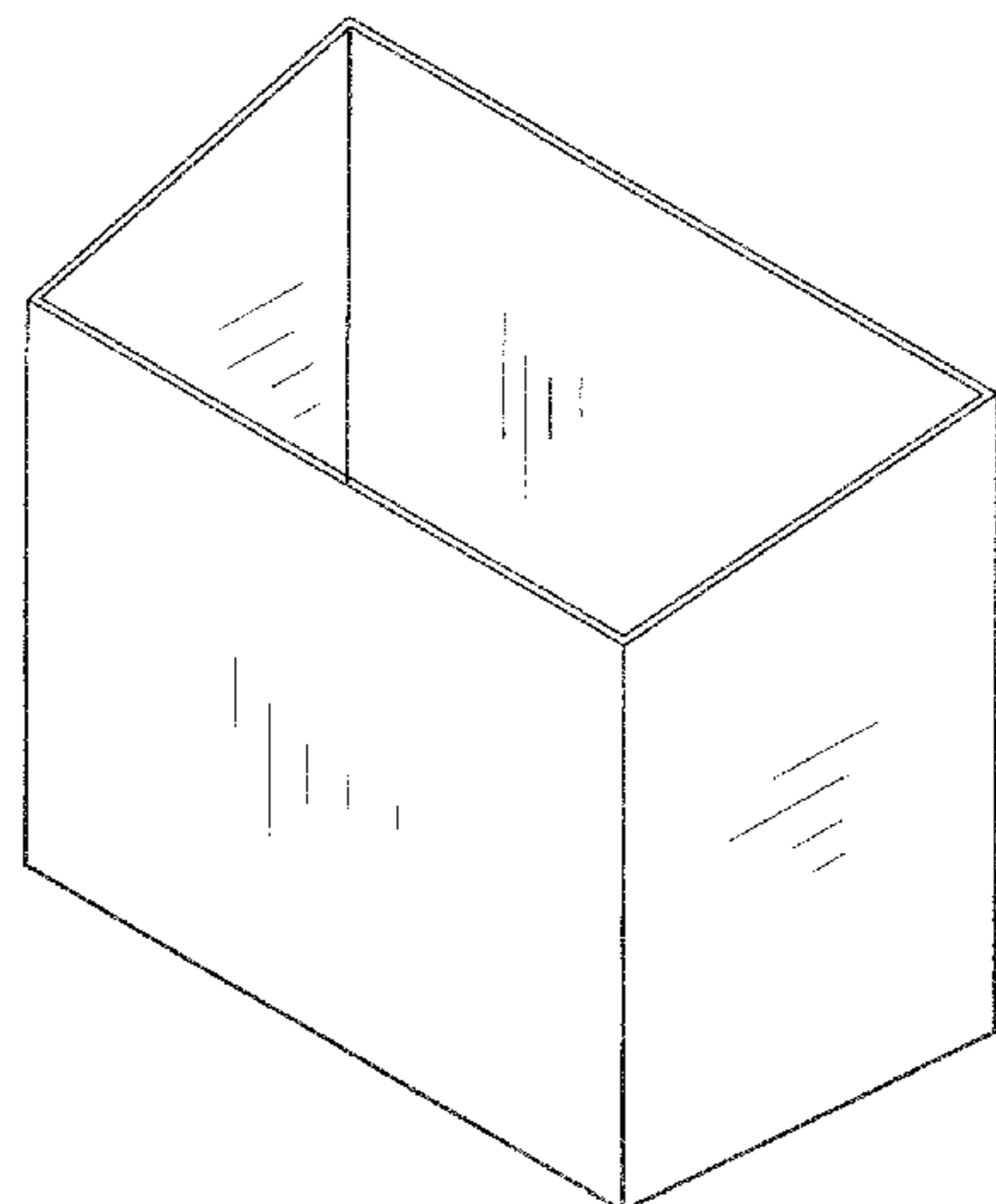
FIG. 3 is a back view thereof;

FIG. 4 is a side view thereof (opposite side is mirror image);

FIG. 5 is a top view thereof; and,

FIG. 6 is a bottom view thereof.

**1 Claim, 6 Drawing Sheets**



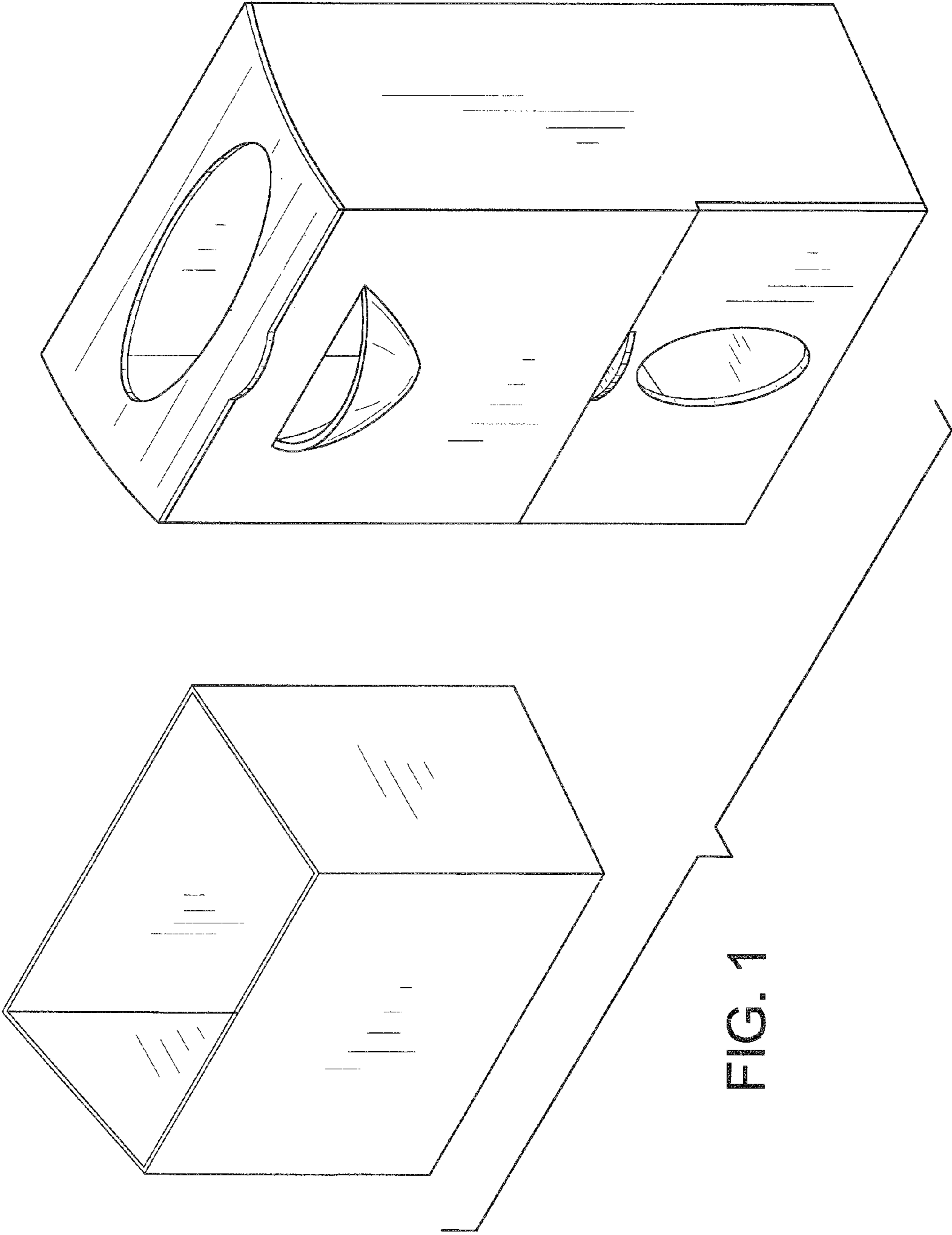


FIG. 1

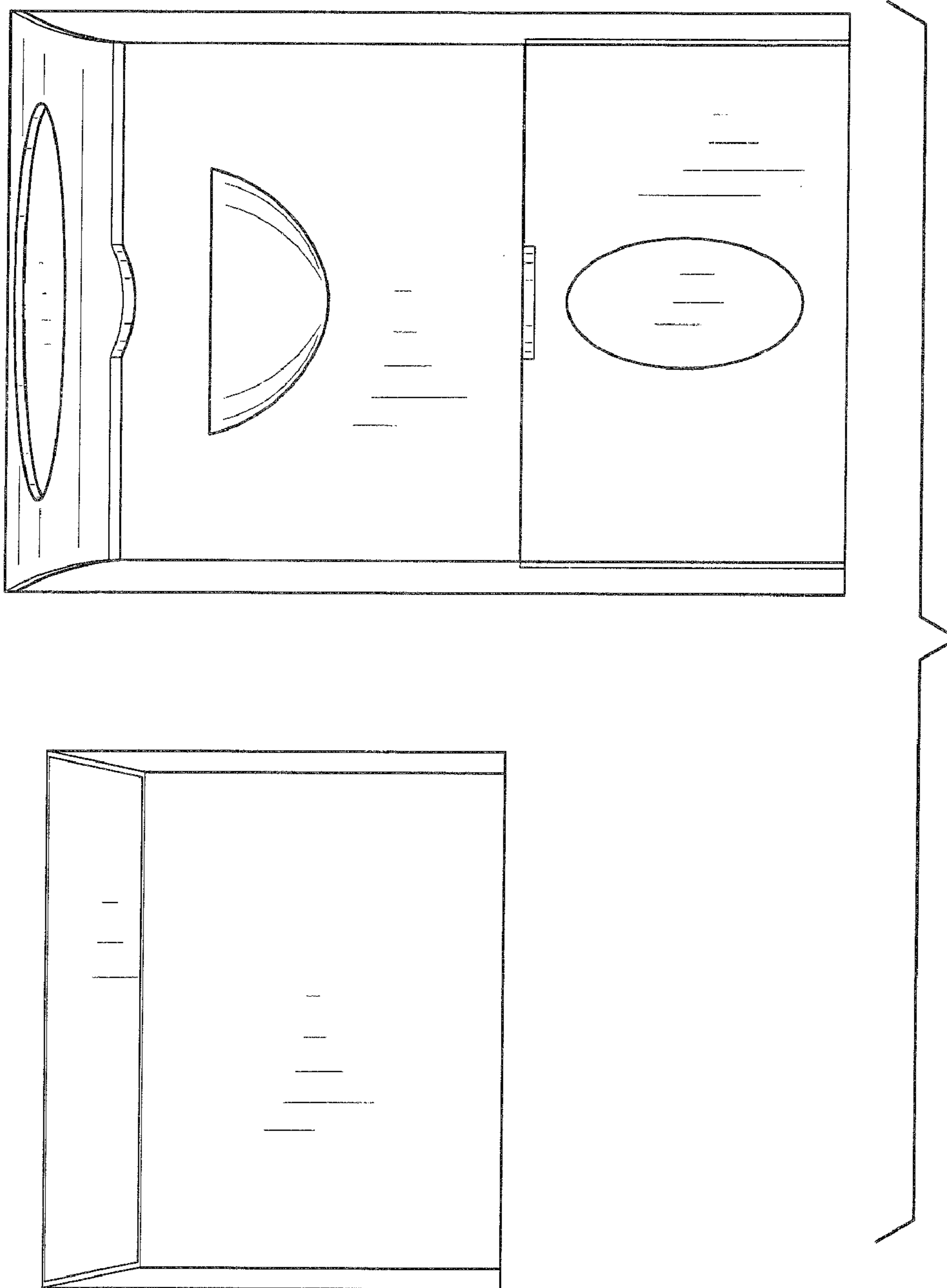


FIG. 2

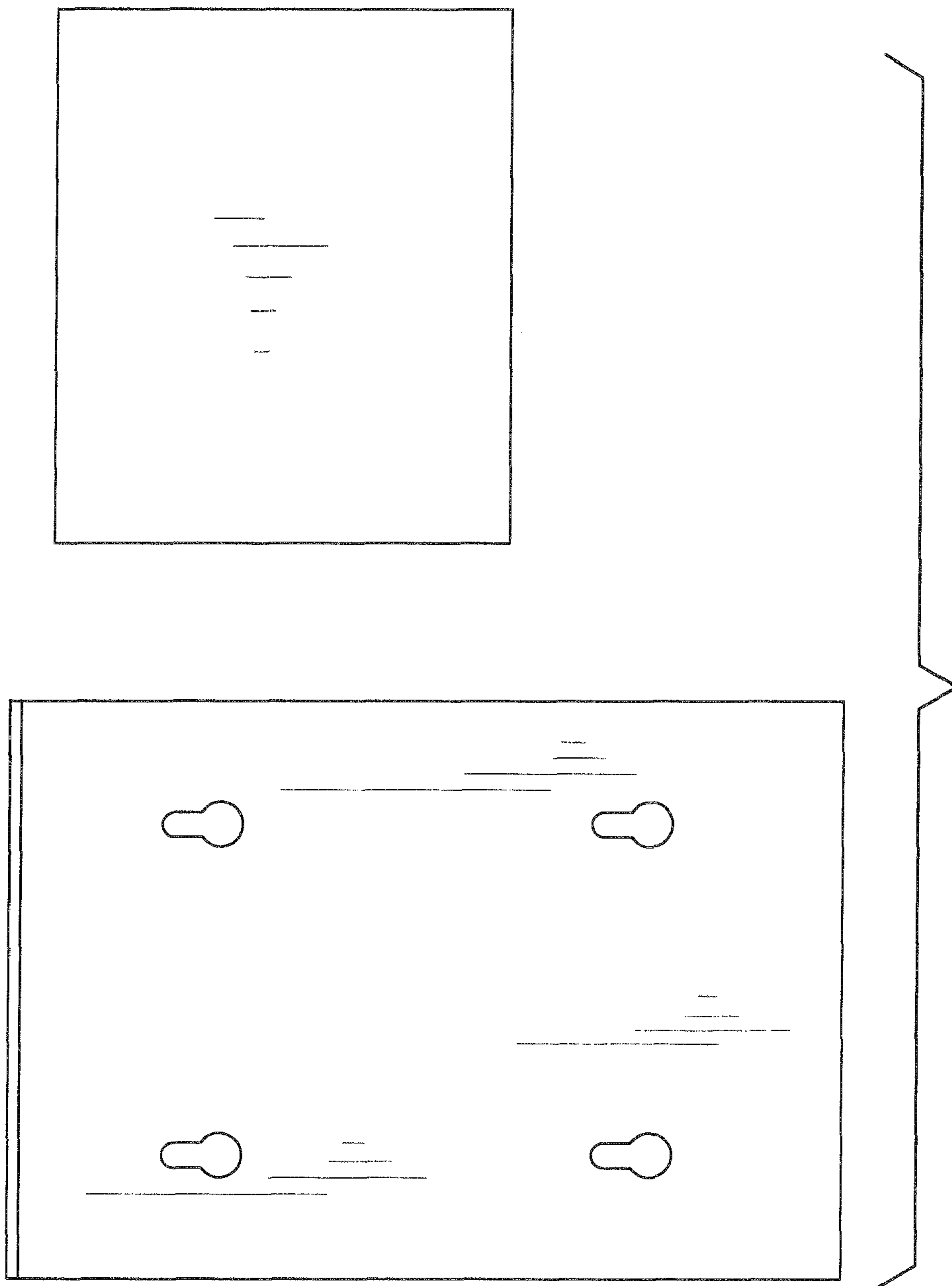


FIG. 3

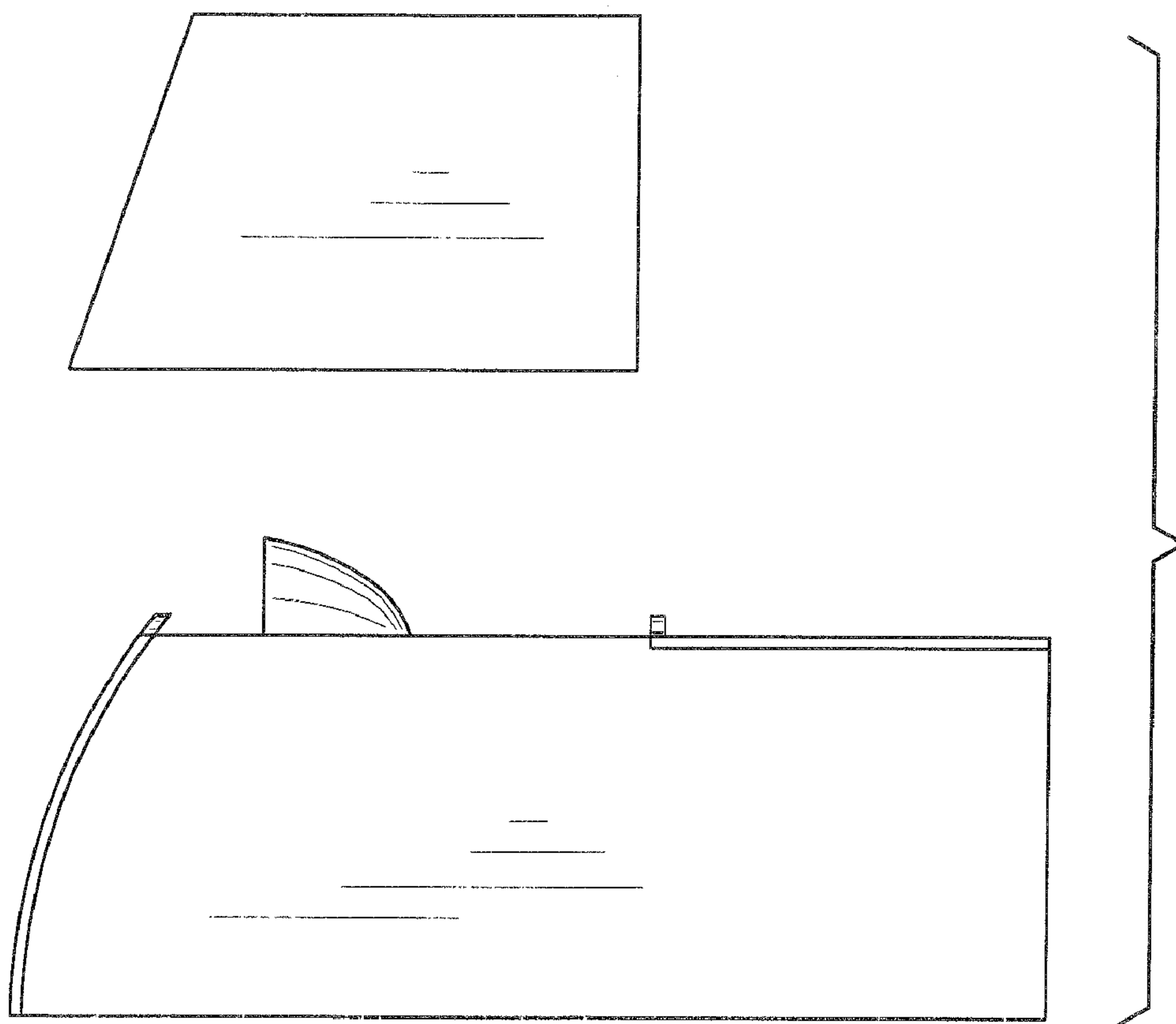


FIG. 4

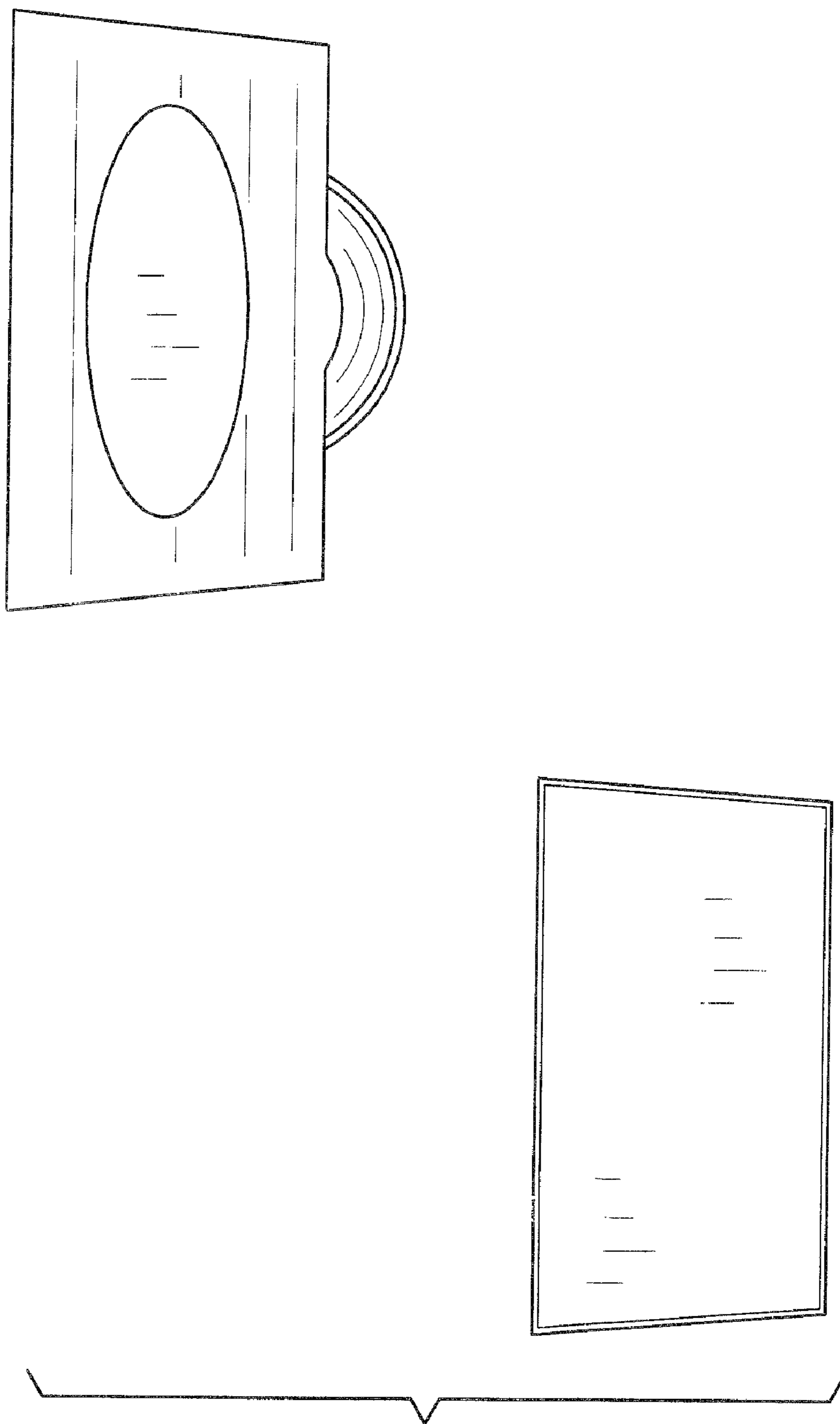


FIG. 5

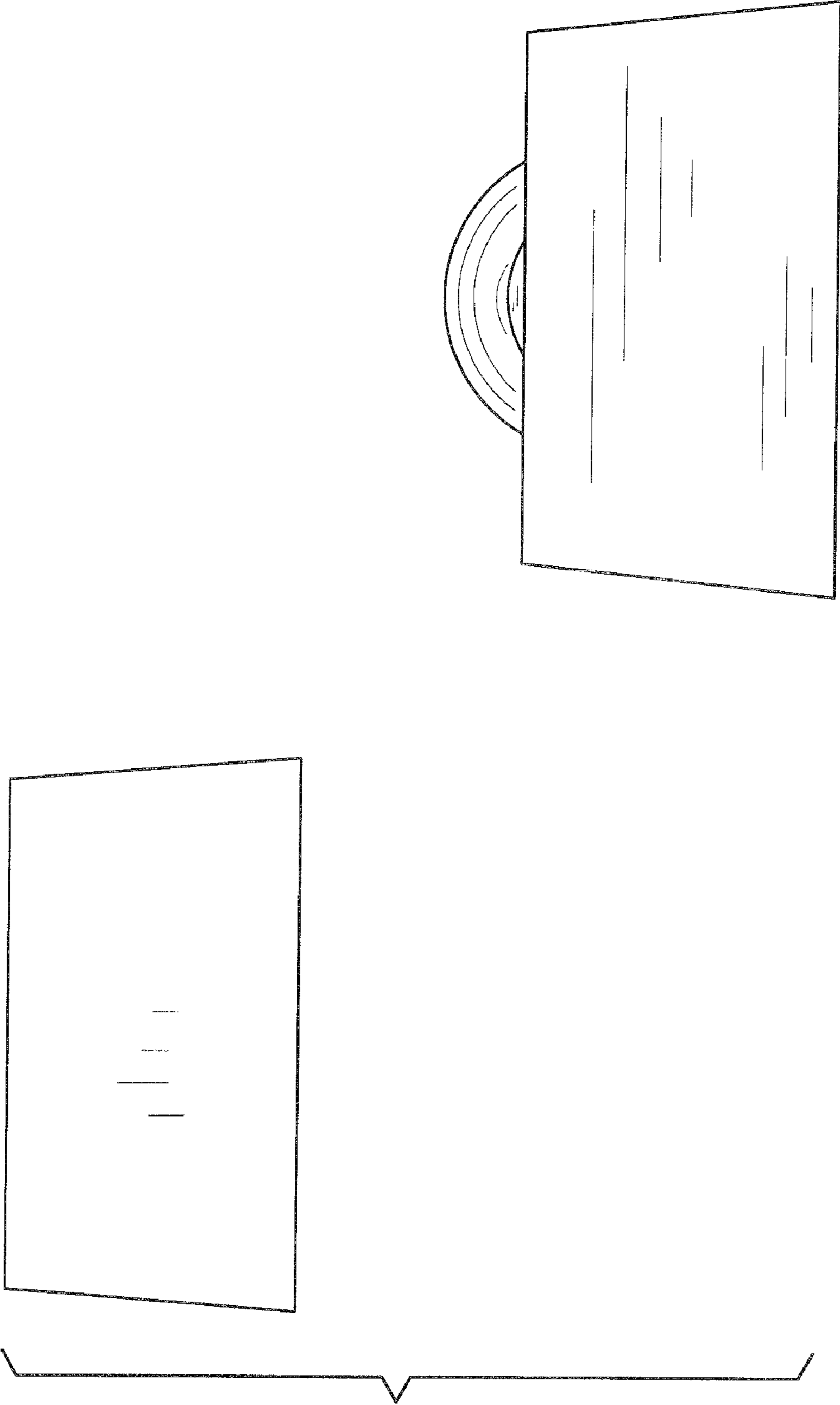


FIG. 6