



US00D622987S

(12) **United States Design Patent**
Kubryk

(10) **Patent No.:** **US D622,987 S**

(45) **Date of Patent:** **** Sep. 7, 2010**

(54) **TASK CHAIR**

D493,642 S * 8/2004 Maran D6/500

(76) Inventor: **Isaac Kubryk**, 18251 Hwy. 88,
Lockeford, CA (US) 95237

* cited by examiner

Primary Examiner—Mimosa De
(74) *Attorney, Agent, or Firm*—Audrey A. Millemann;
Weintraub Genshlea Chedial

(**) Term: **14 Years**

(21) Appl. No.: **29/349,498**

(57) **CLAIM**

(22) Filed: **Apr. 8, 2010**

The ornamental design for a task chair, as shown and described.

(51) **LOC (9) Cl.** **06-01**

(52) **U.S. Cl.** **D6/500**

(58) **Field of Classification Search** D6/334-336,
D6/364, 365, 366, 367, 374, 375, 376, 379,
D6/380, 500-502, 601; 297/411.2, 411.28,
297/452.19, 452.26, 452.29, 452.32, 452.35,
297/452.48

See application file for complete search history.

DESCRIPTION

FIG. 1 is a perspective view of a task chair, looking toward the right front corner, showing my new design;

FIG. 2 is a front view thereof;

FIG. 3 is a back view thereof;

FIG. 4 is a right side view thereof;

FIG. 5 is a top view thereof; and,

FIG. 6 is a bottom view thereof.

The broken lines shown in the drawing are for illustrative purposes only and form no part of the claimed design.

(56) **References Cited**

U.S. PATENT DOCUMENTS

- D328,395 S * 8/1992 Neuser D6/366
- D351,069 S * 10/1994 Orlandini et al. D6/366
- D370,805 S * 6/1996 McDiarmid D6/502

1 Claim, 5 Drawing Sheets

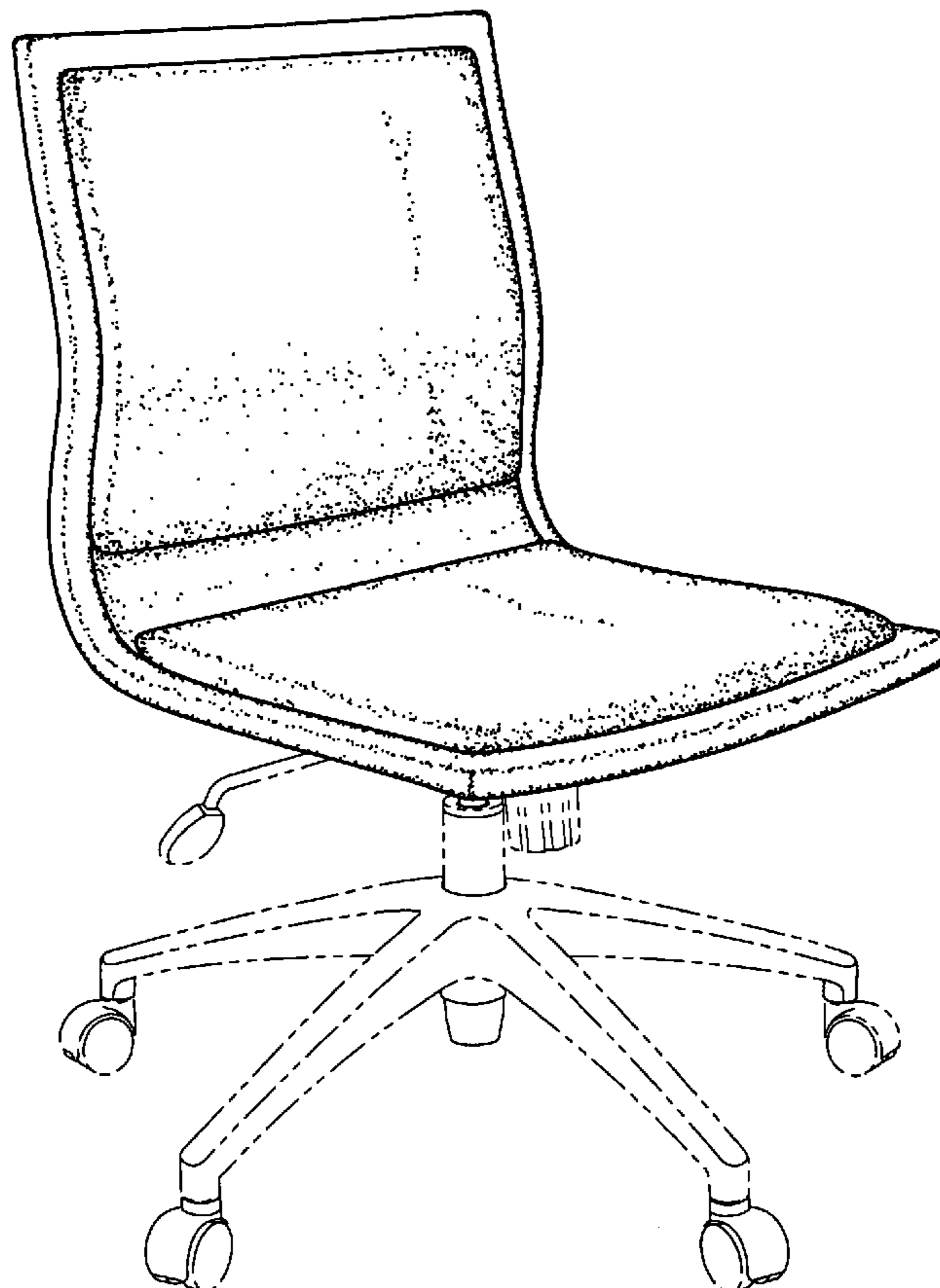


FIG. 1

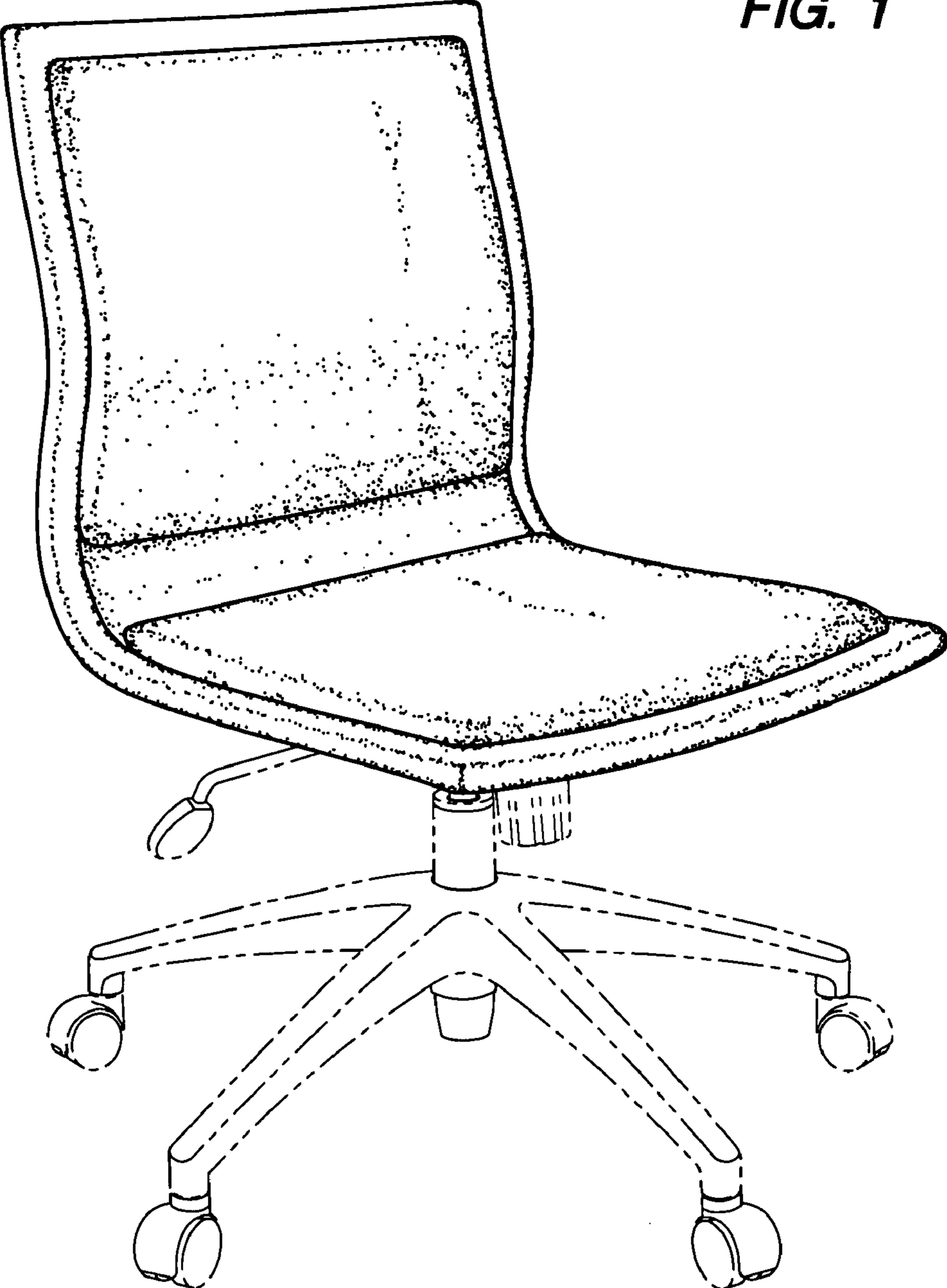


FIG. 2

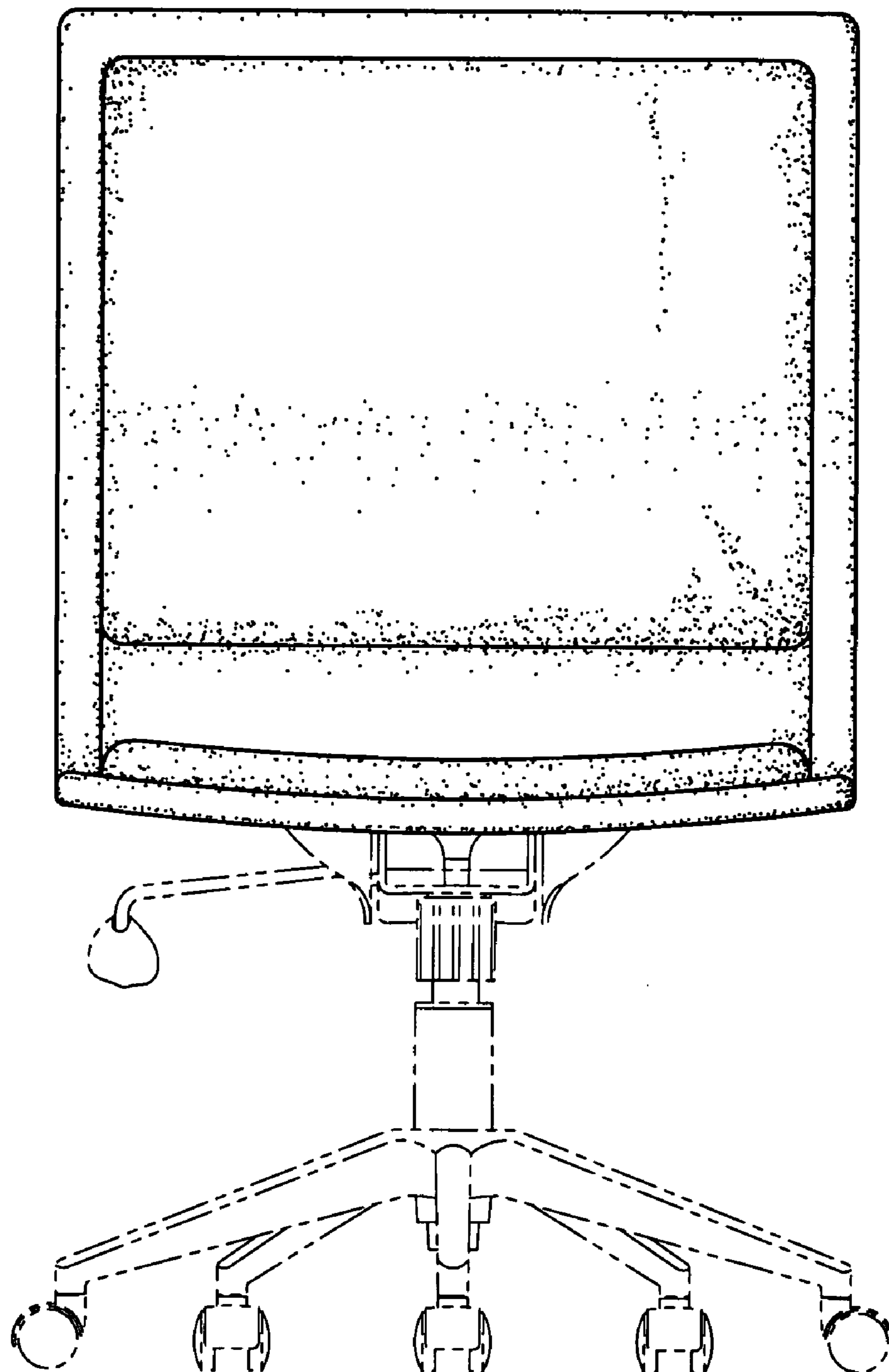


FIG. 3

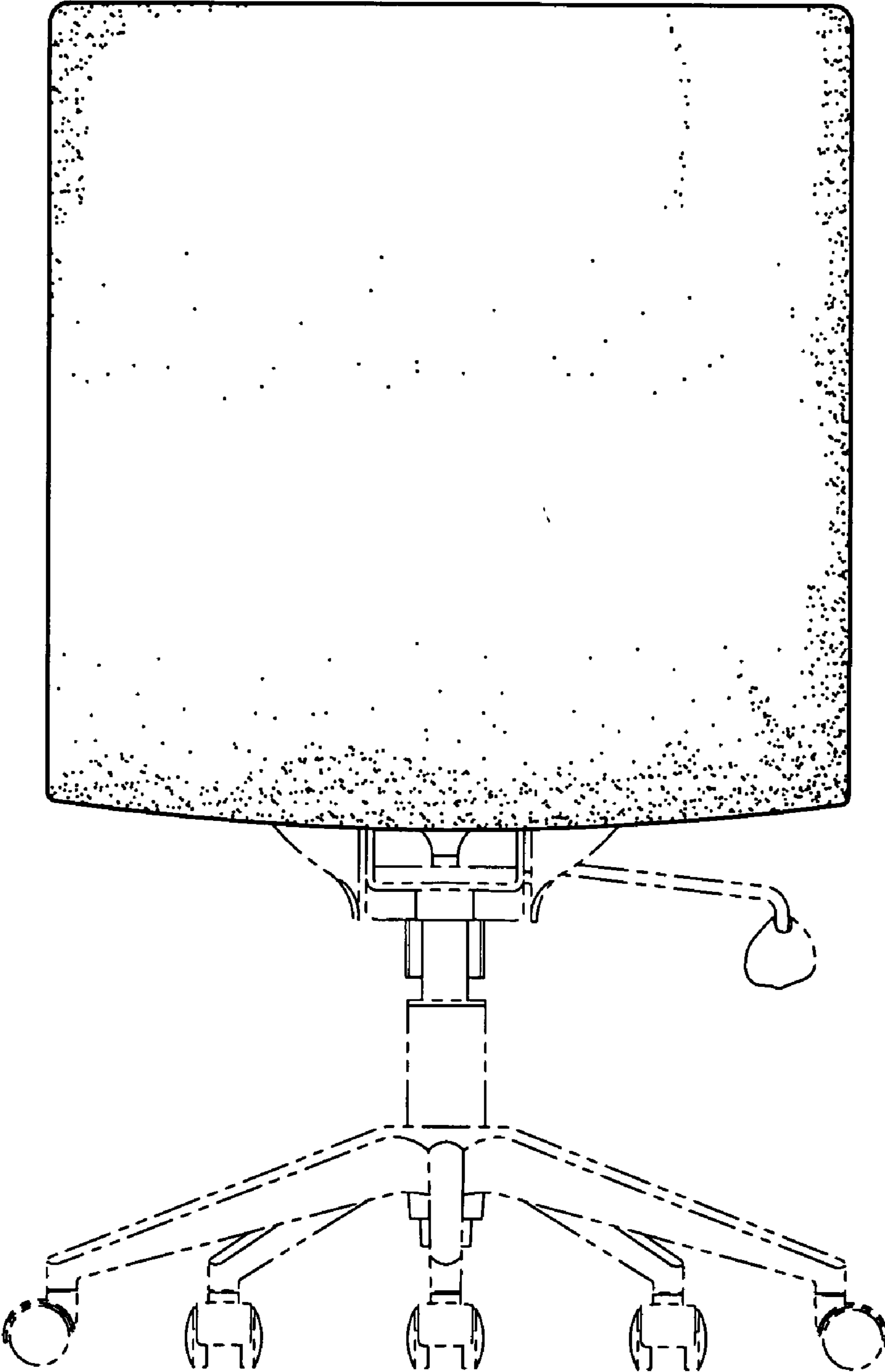
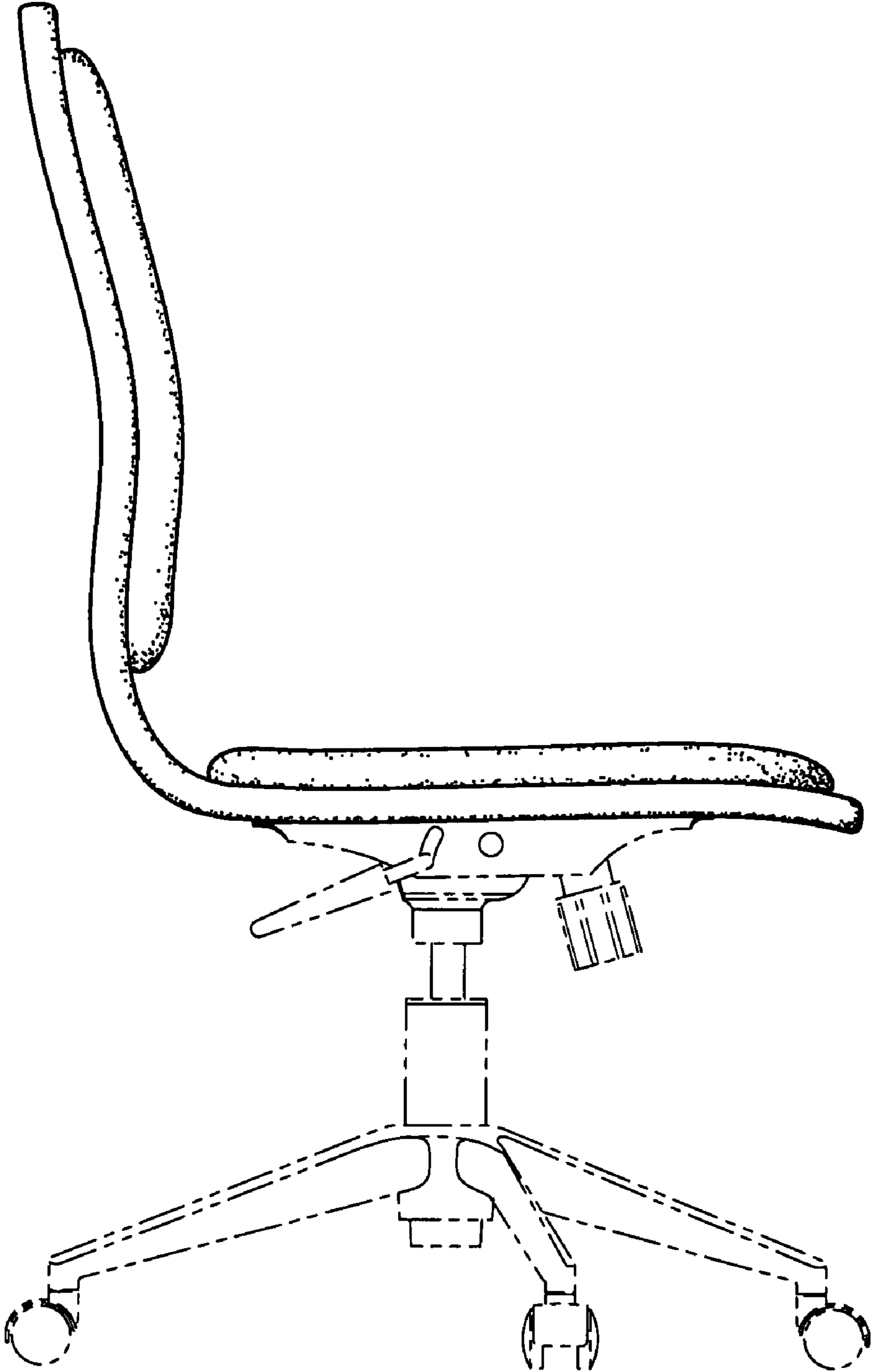


FIG. 4



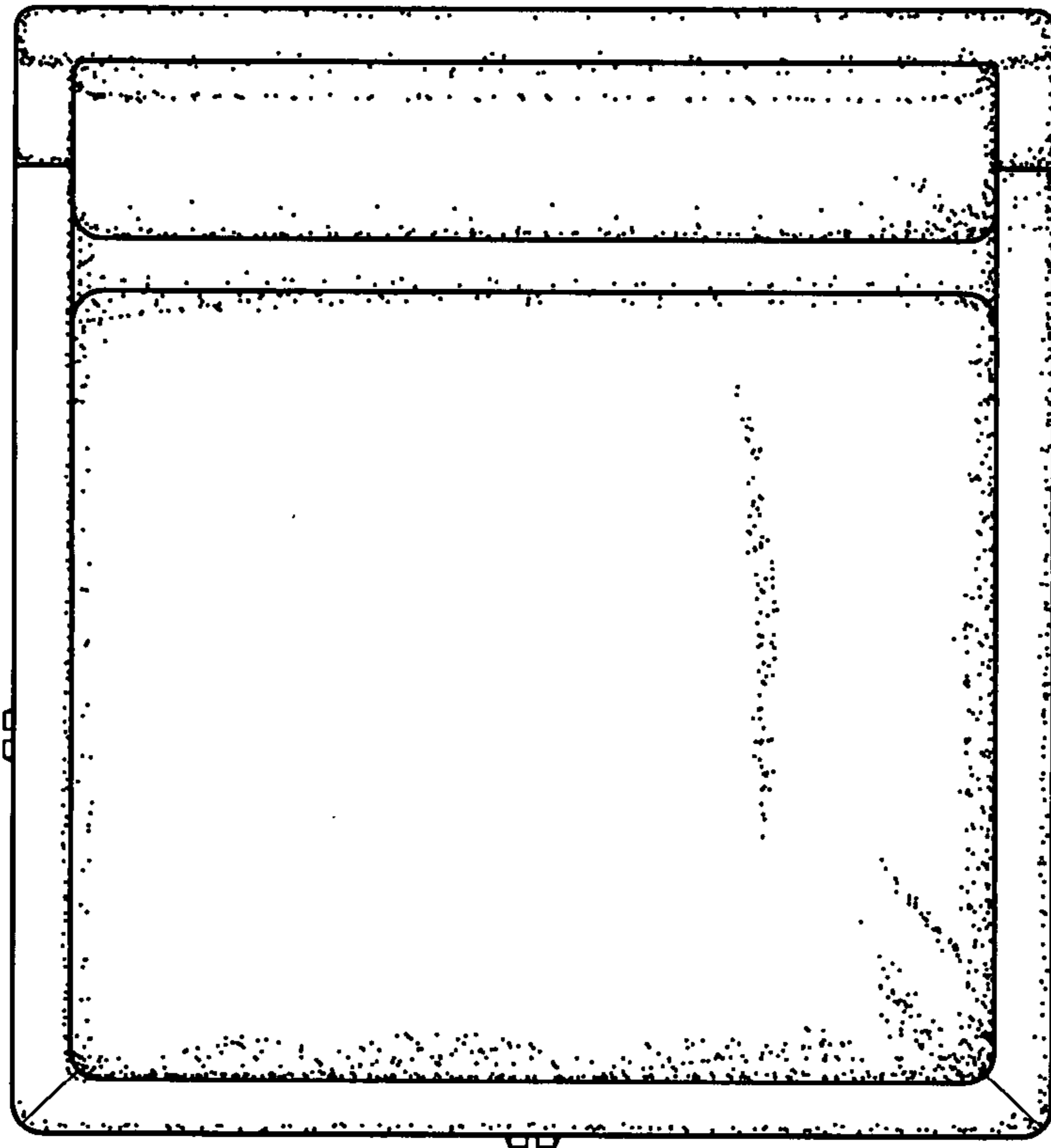


FIG. 5

FIG. 6

