



US00D622984S

(12) **United States Design Patent**
Babick

(10) **Patent No.:** **US D622,984 S**

(45) **Date of Patent:** **** Sep. 7, 2010**

(54) **SUPPORT LEG**

(75) **Inventor:** **Tod Babick**, Grand Rapids, MI (US)

(73) **Assignee:** **DSA International, Inc.**, Zeeland, MI (US)

(**) **Term:** **14 Years**

(21) **Appl. No.:** **29/338,488**

(22) **Filed:** **Jun. 12, 2009**

(51) **LOC (9) Cl.** **06-06**

(52) **U.S. Cl.** **D6/495**

(58) **Field of Classification Search** D6/480–489,
D6/429–431, 495–499; 108/150, 152, 153.1,
108/157.1, 161; 248/188, 188.1, 188.7, 188.8
See application file for complete search history.

(56) **References Cited**

U.S. PATENT DOCUMENTS

D90,848 S	1/1932	Karl	
D184,407 S	2/1959	McKinley	D15/8
D193,094 S	6/1962	Sullivan	D15/1
D194,458 S *	1/1963	Pearson	D6/366
3,078,063 A	2/1963	Frankl	248/188.7
D206,000 S	10/1966	Moore	D15/1
D233,812 S	12/1974	Platner	D6/196
D276,396 S	11/1984	Locher	D6/498
D278,012 S	3/1985	Doerner	D6/495
D304,399 S	11/1989	Caruso	D6/498
D312,011 S	11/1990	Caruso	D6/498
5,048,780 A	9/1991	Borsani	248/188.7
D327,782 S *	7/1992	Citterio	D6/366
D332,020 S *	12/1992	Hollington	D6/495
D333,933 S	3/1993	Feinbloom	D6/486

D363,843 S	11/1995	Larkin	D6/498
D367,573 S	3/1996	Larkin	D6/498
D369,928 S	5/1996	Larkin	D6/498
D393,764 S	4/1998	Hundertmark	D6/498
D399,683 S *	10/1998	Nicklas	D6/484
D407,583 S	4/1999	Perl	D6/498
D412,416 S	8/1999	Ritch	D6/498
D432,822 S	10/2000	Chen	D6/498
D444,325 S *	7/2001	DeJule	D6/495
D462,846 S *	9/2002	Gasca Burges	D6/366
D494,787 S	8/2004	Fu	D6/498
D507,436 S	7/2005	Chao	D6/498
D508,806 S	8/2005	Egger	D6/498
D557,526 S	12/2007	Littorin	D6/495
D560,406 S	1/2008	Privatt	D6/498
D569,136 S	5/2008	Pearsons	D6/498
D569,663 S	5/2008	Pearsons	D6/498

* cited by examiner

Primary Examiner—Janice E Seeger

(74) *Attorney, Agent, or Firm*—Dowell Backer, P.C.

(57) **CLAIM**

The ornamental design for a support leg, as shown and described.

DESCRIPTION

FIG. 1 is a side perspective view of a support leg in accordance with a first embodiment of the invention.

FIG. 2 is a top view of the support leg of FIG. 1; and,

FIG. 3 is a side view of the support leg of FIG. 1.

The broken lines shown in the figures are for illustrative purposes only and form no part of the claimed design.

1 Claim, 1 Drawing Sheet

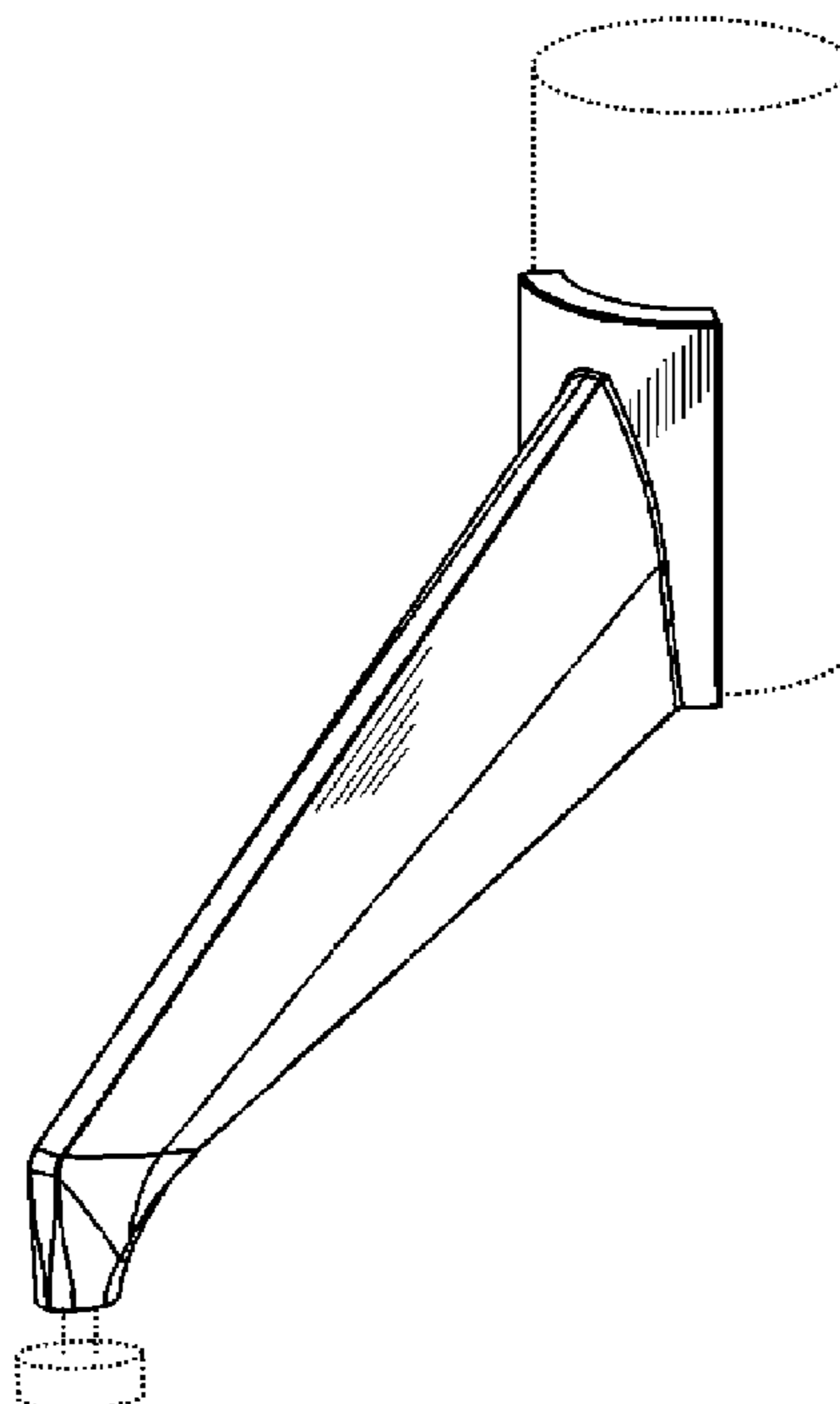


FIG. 1

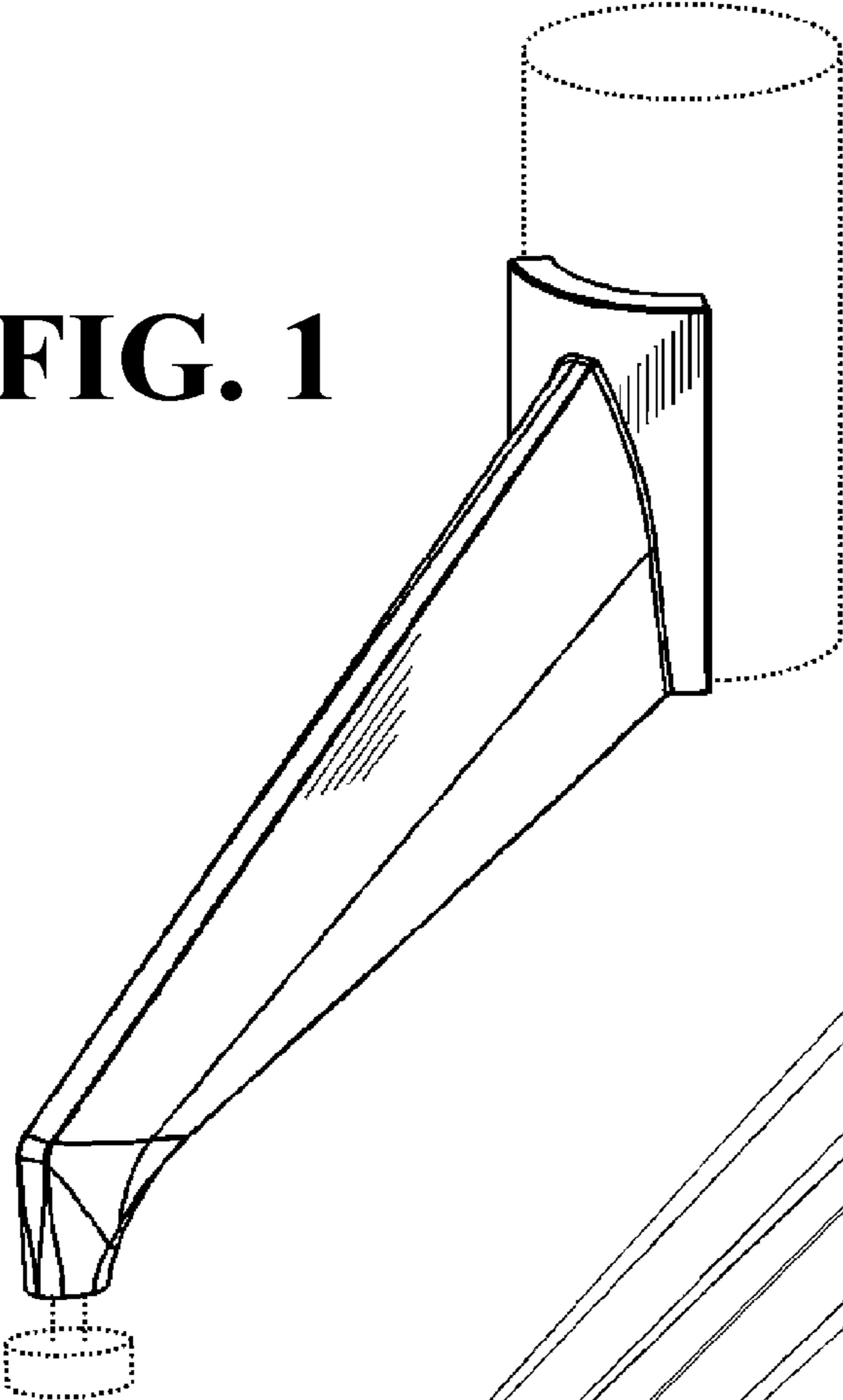


FIG. 2

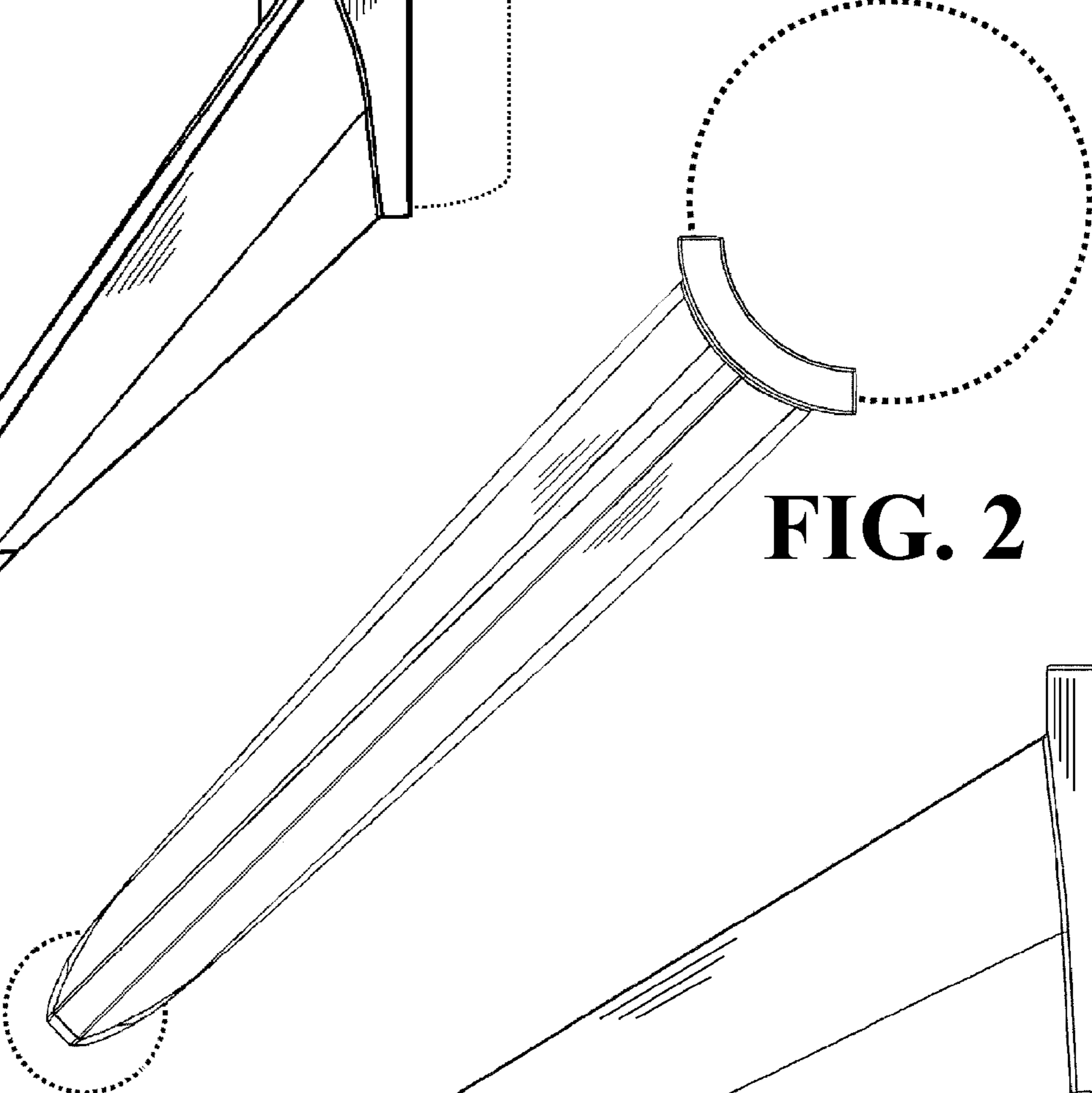


FIG. 3

