

US00D622979S

(12) **United States Design Patent**  
**Dively et al.**

(10) **Patent No.:** **US D622,979 S**  
(45) **Date of Patent:** **\*\* Sep. 7, 2010**

(54) **GOLF THEMED TABLE**

(76) Inventors: **Greg Dively**, 5 Foundry Ct.,  
Cockeysville, MD (US) 21030; **John**  
**Marple**, 7433 Inwood Ave., Catonsville,  
MD (US) 21228

(\*\*) Term: **14 Years**

(21) Appl. No.: **29/345,901**

(22) Filed: **Oct. 23, 2009**

(51) **LOC (9) Cl.** ..... **06-03**

(52) **U.S. Cl.** ..... **D6/451**

(58) **Field of Classification Search** ..... D6/480-489,  
D6/495-499, 511, 429-431, 470; 108/150,  
108/153.1, 155, 156, 157.1, 161; 248/188,  
248/188.1, 188.8; D21/789, 790

See application file for complete search history.

|              |         |               |       |         |
|--------------|---------|---------------|-------|---------|
| D403,732 S * | 1/1999  | Yang          | ..... | D21/789 |
| 5,908,132 A  | 6/1999  | Pigeon        |       |         |
| D422,810 S * | 4/2000  | Rasp          | ..... | D6/480  |
| D425,729 S   | 5/2000  | Manzak        |       |         |
| D432,802 S   | 10/2000 | Taylor et al. |       |         |
| D436,757 S   | 1/2001  | Hutton        |       |         |
| D436,766 S   | 1/2001  | Al-Darraj     |       |         |
| D437,504 S * | 2/2001  | Giron         | ..... | D6/397  |
| D443,443 S   | 6/2001  | Welke         |       |         |
| D445,268 S   | 7/2001  | Taylor et al. |       |         |
| D455,294 S   | 4/2002  | Jeup          |       |         |
| D465,675 S   | 11/2002 | Bloch et al.  |       |         |
| D466,726 S   | 12/2002 | Heil          |       |         |
| D488,336 S   | 4/2004  | Kerr          |       |         |
| D489,201 S * | 5/2004  | Stanton       | ..... | D6/484  |
| D503,555 S   | 4/2005  | Hightower     |       |         |
| D529,731 S   | 10/2006 | McCabe        |       |         |

(Continued)

(56) **References Cited**

**U.S. PATENT DOCUMENTS**

|              |         |                  |       |        |
|--------------|---------|------------------|-------|--------|
| D223,839 S   | 6/1972  | Mikell           |       |        |
| D250,308 S * | 11/1978 | Adkinson         | ..... | D6/487 |
| D304,135 S * | 10/1989 | Mergenov         | ..... | D6/477 |
| D309,681 S   | 8/1990  | Solomon et al.   |       |        |
| D309,683 S   | 8/1990  | Solomon et al.   |       |        |
| 5,066,078 A  | 11/1991 | Wurst            |       |        |
| D343,074 S   | 1/1994  | Whiteaker et al. |       |        |
| D343,972 S   | 2/1994  | Pauer et al.     |       |        |
| D346,917 S * | 5/1994  | Weltman          | ..... | D6/451 |
| 5,331,905 A  | 7/1994  | Hammers et al.   |       |        |
| D349,618 S   | 8/1994  | Barfield         |       |        |
| D352,180 S   | 11/1994 | Collings         |       |        |
| D360,546 S   | 7/1995  | Gibson           |       |        |
| D371,682 S   | 7/1996  | Collings         |       |        |
| D373,265 S   | 9/1996  | Horvath          |       |        |
| D374,140 S * | 10/1996 | Paus             | ..... | D6/488 |
| D380,318 S   | 7/1997  | Horvath          |       |        |
| D382,148 S   | 8/1997  | Welke et al.     |       |        |
| D386,018 S   | 11/1997 | Tosto, Jr.       |       |        |
| D390,047 S   | 2/1998  | Cambra           |       |        |
| D391,787 S   | 3/1998  | Horvath          |       |        |
| D396,766 S   | 8/1998  | Saban            |       |        |

**FOREIGN PATENT DOCUMENTS**

EP 0857440 A1 8/1998

(Continued)

*Primary Examiner*—Janice E Seeger  
(74) *Attorney, Agent, or Firm*—McNees Wallace & Nurick,  
LLC

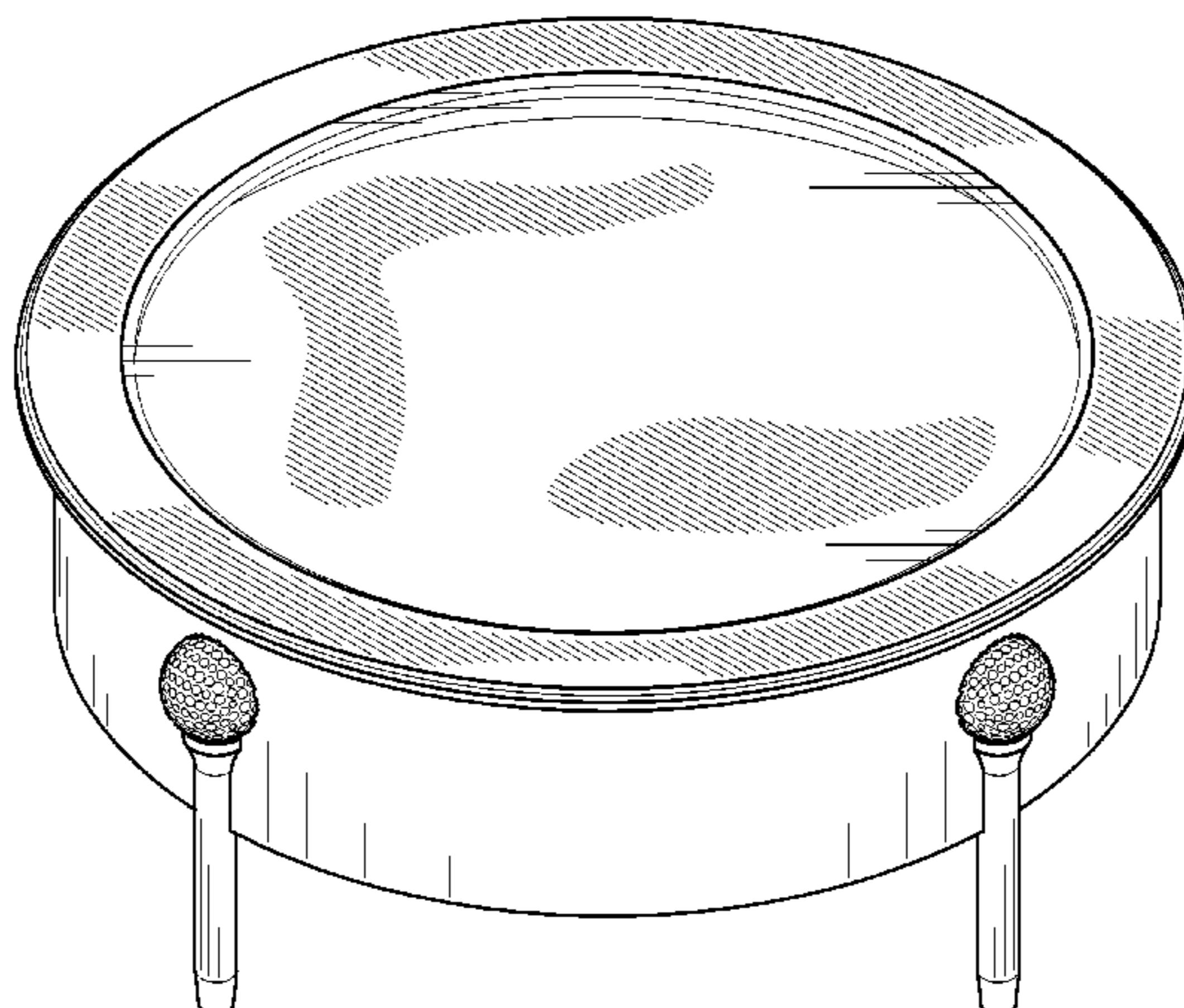
(57) **CLAIM**

The ornamental design for a golf themed table, as shown and described.

**DESCRIPTION**

FIG. 1 is a perspective view of a golf themed table;  
FIG. 2 is a top view thereof;  
FIG. 3 is a bottom view thereof; and,  
FIG. 4 is a side view thereof.

**1 Claim, 3 Drawing Sheets**



# US D622,979 S

Page 2

---

## U.S. PATENT DOCUMENTS

D572,040 S 7/2008 D'Onofrio  
D577,514 S 9/2008 Dimauro  
7,578,507 B2\* 8/2009 Slappay ..... 273/309  
2003/0071545 A1 4/2003 Fink  
2006/0000393 A1 1/2006 Ka'ahumanu

2006/0169184 A1 8/2006 Funkhouser

## FOREIGN PATENT DOCUMENTS

JP 2006141965 6/2006

\* cited by examiner

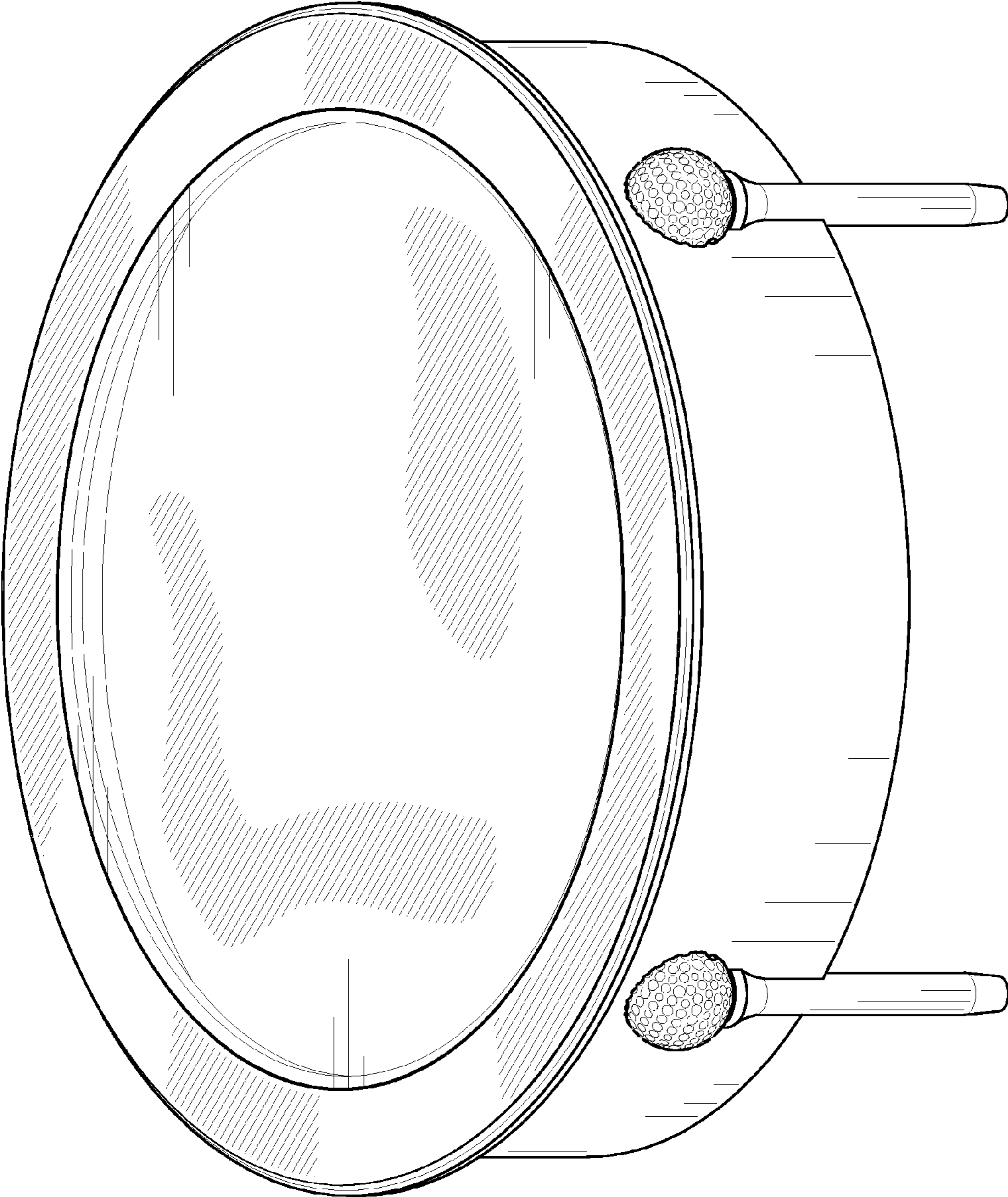


FIG-1

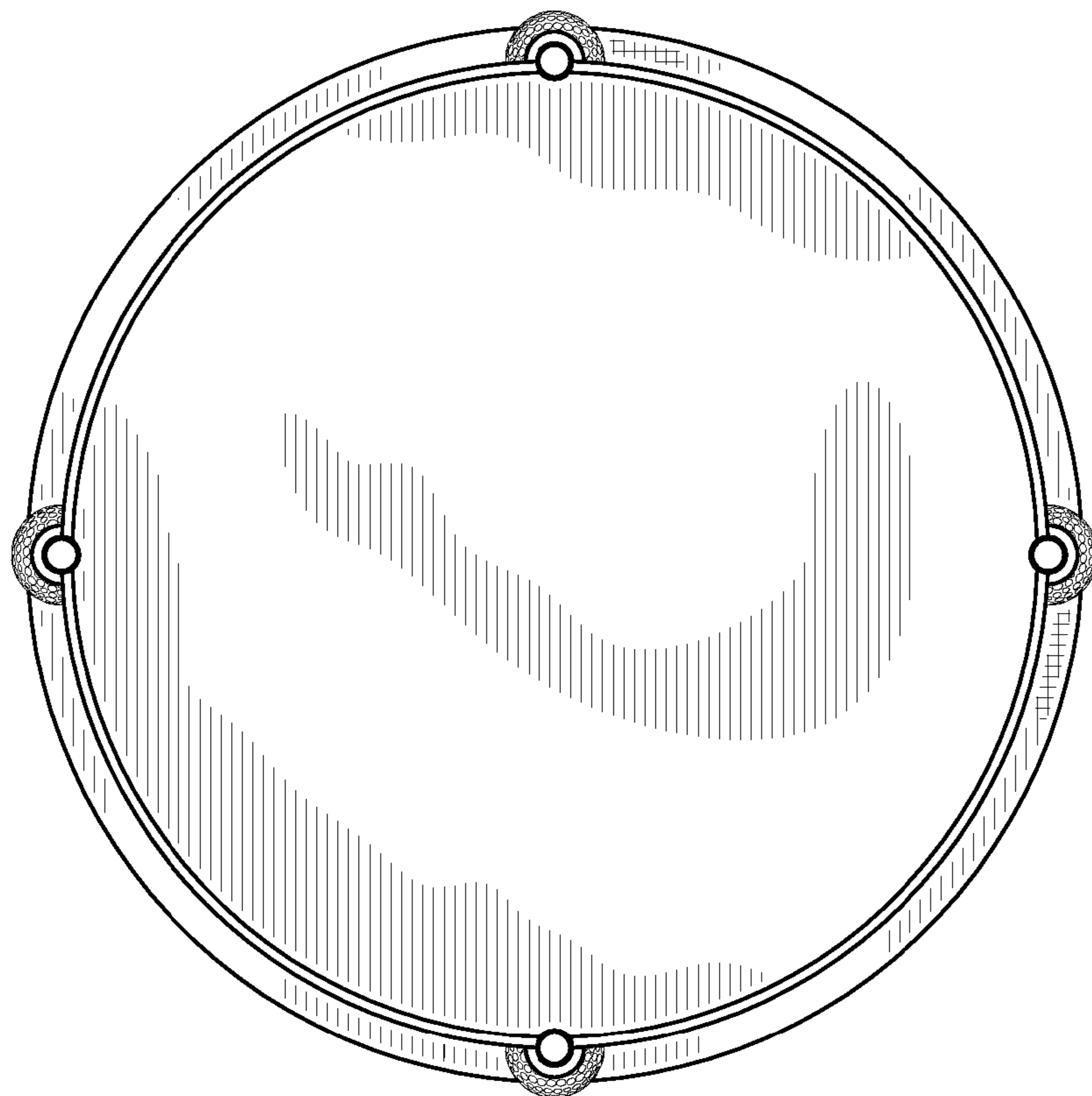


FIG-3

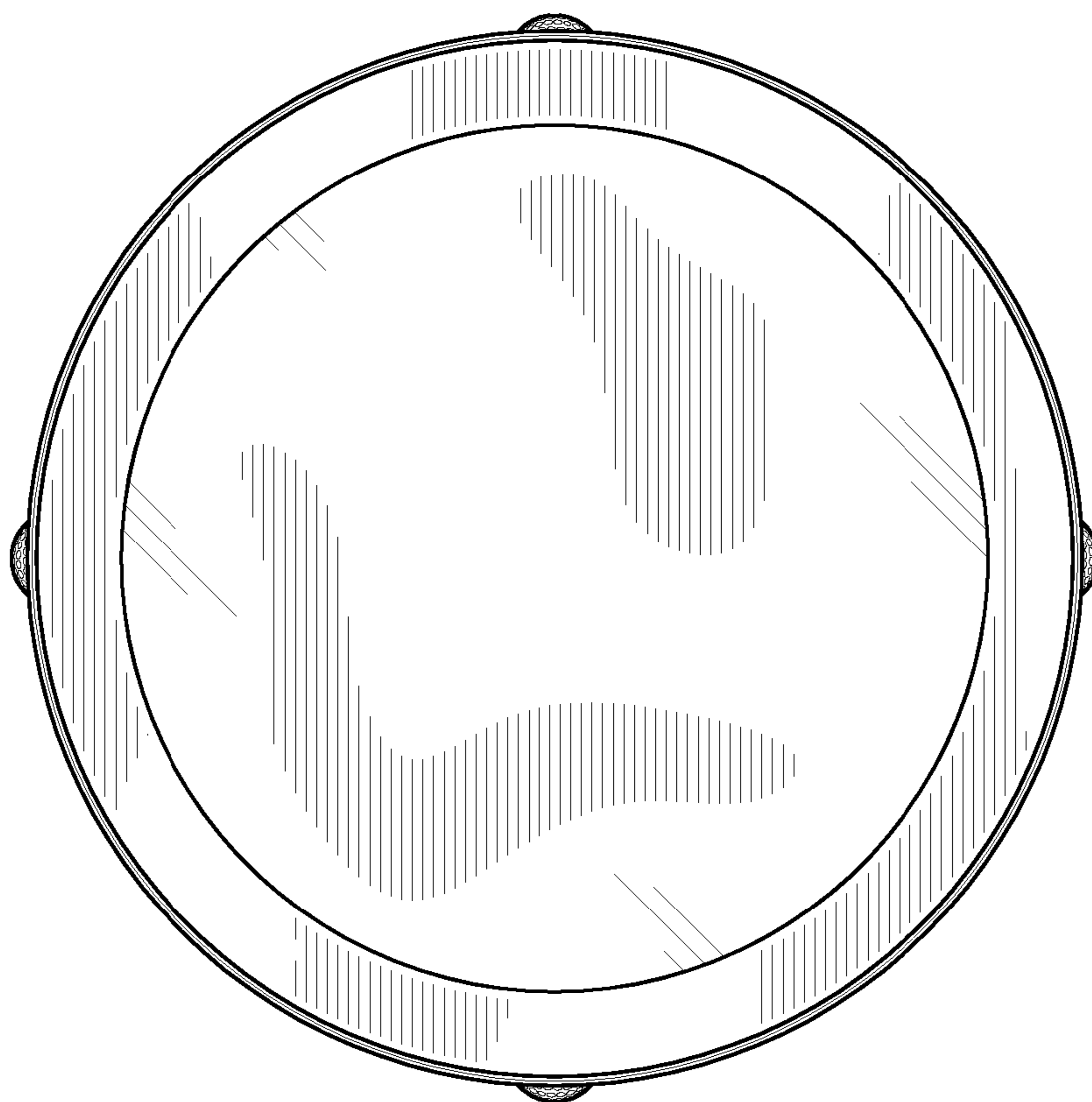


FIG-2

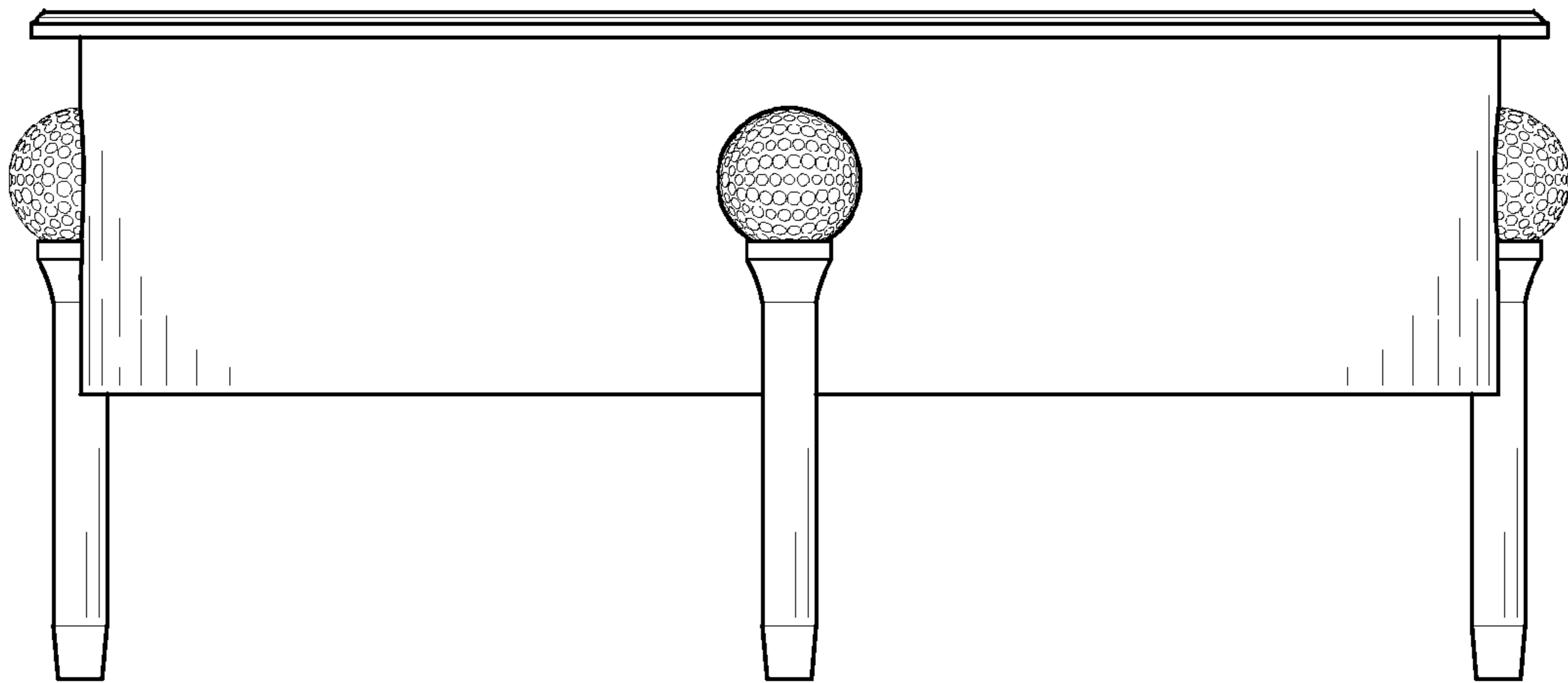


FIG-4