



US00D622977S

(12) **United States Design Patent**  
**Wade et al.**

(10) **Patent No.:** **US D622,977 S**  
(45) **Date of Patent:** **\*\* Sep. 7, 2010**

(54) **DISPLAY DEVICE**

(75) Inventors: **Danny S. Wade**, Cohutta, GA (US);  
**Johannes Bakker**, Cohutta, GA (US)

(73) Assignee: **Beaulieu Group, LLC**, Dalton, GA  
(US)

(\*\*) Term: **14 Years**

(21) Appl. No.: **29/336,250**

(22) Filed: **Apr. 30, 2009**

(51) **LOC (9) Cl.** ..... **06-04**

(52) **U.S. Cl.** ..... **D6/449**

(58) **Field of Classification Search** ..... D6/467,  
D6/458, 460-465, 449, 466; 211/85.1, 85.2,  
211/41.1, 41.5, 90.03, 113, 181.1, 13.1, 49.1;  
40/725; D20/42

See application file for complete search history.

(56) **References Cited**

**U.S. PATENT DOCUMENTS**

3,871,524 A 3/1975 Helf  
3,965,583 A 6/1976 Price  
4,256,043 A 3/1981 Ovitz, III  
4,682,697 A \* 7/1987 Cohen ..... 211/45  
D303,463 S \* 9/1989 Schouten ..... D6/409

D447,359 S \* 9/2001 Donnelly ..... D6/409  
D603,624 S \* 11/2009 Wade et al. .... D6/464  
D604,062 S \* 11/2009 Wade et al. .... D6/464

**FOREIGN PATENT DOCUMENTS**

CA 1117489 A1 2/1982  
FR 2640863 6/1990

\* cited by examiner

*Primary Examiner*—Philip S Hyder

*Assistant Examiner*—Sydney R Buffalow

(74) *Attorney, Agent, or Firm*—Sutherland Asbill & Brennan  
LLP

(57) **CLAIM**

The ornamental design for a display device, as shown.

**DESCRIPTION**

FIG. 1 is a perspective view of the display device;

FIG. 2 is a front view thereof;

FIG. 3 is a right side view thereof,

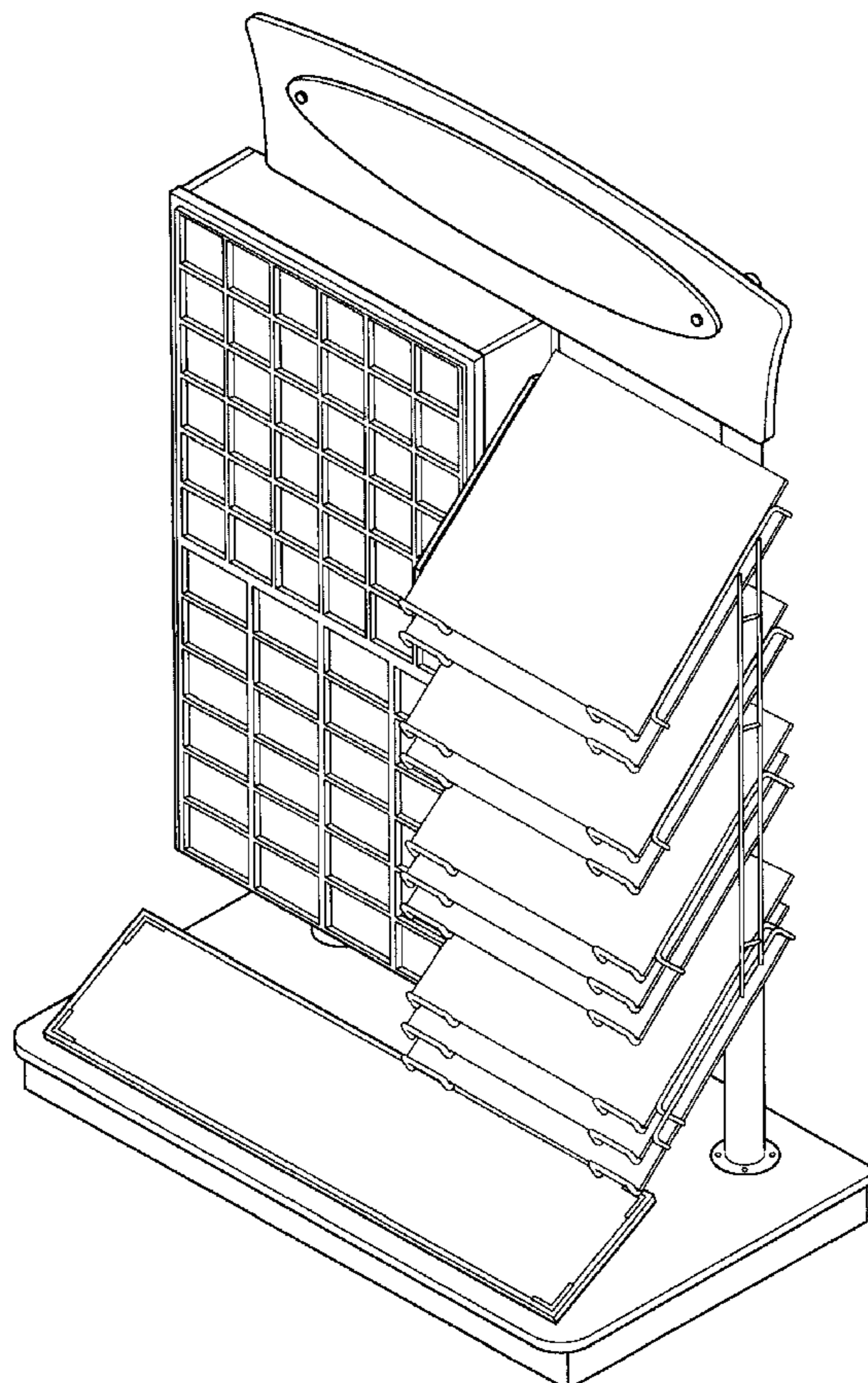
FIG. 4 is a top view thereof;

FIG. 5 is a rear perspective view thereof.

FIG. 6 is a left side view thereof; and,

FIG. 7 is bottom view thereof.

**1 Claim, 7 Drawing Sheets**



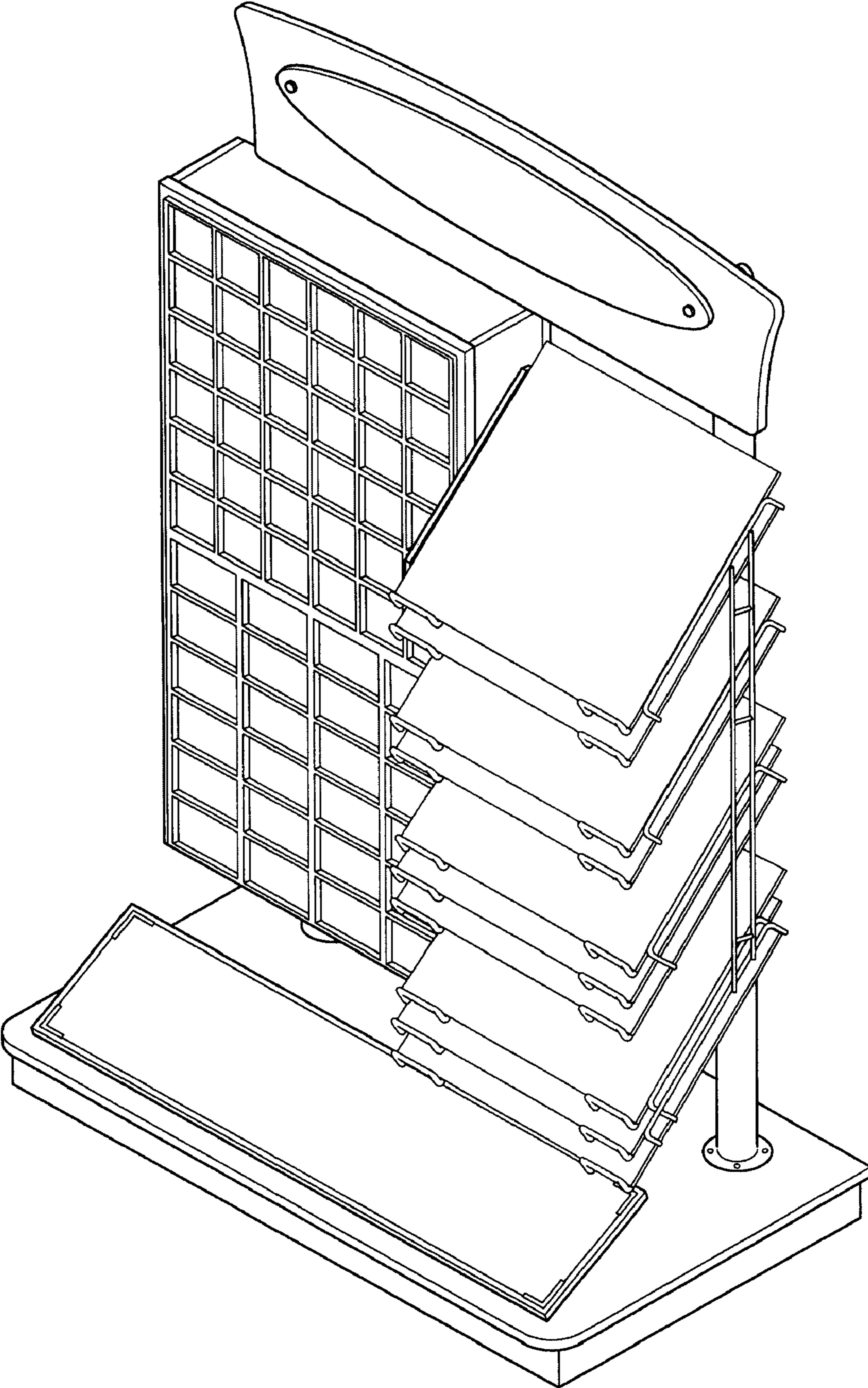
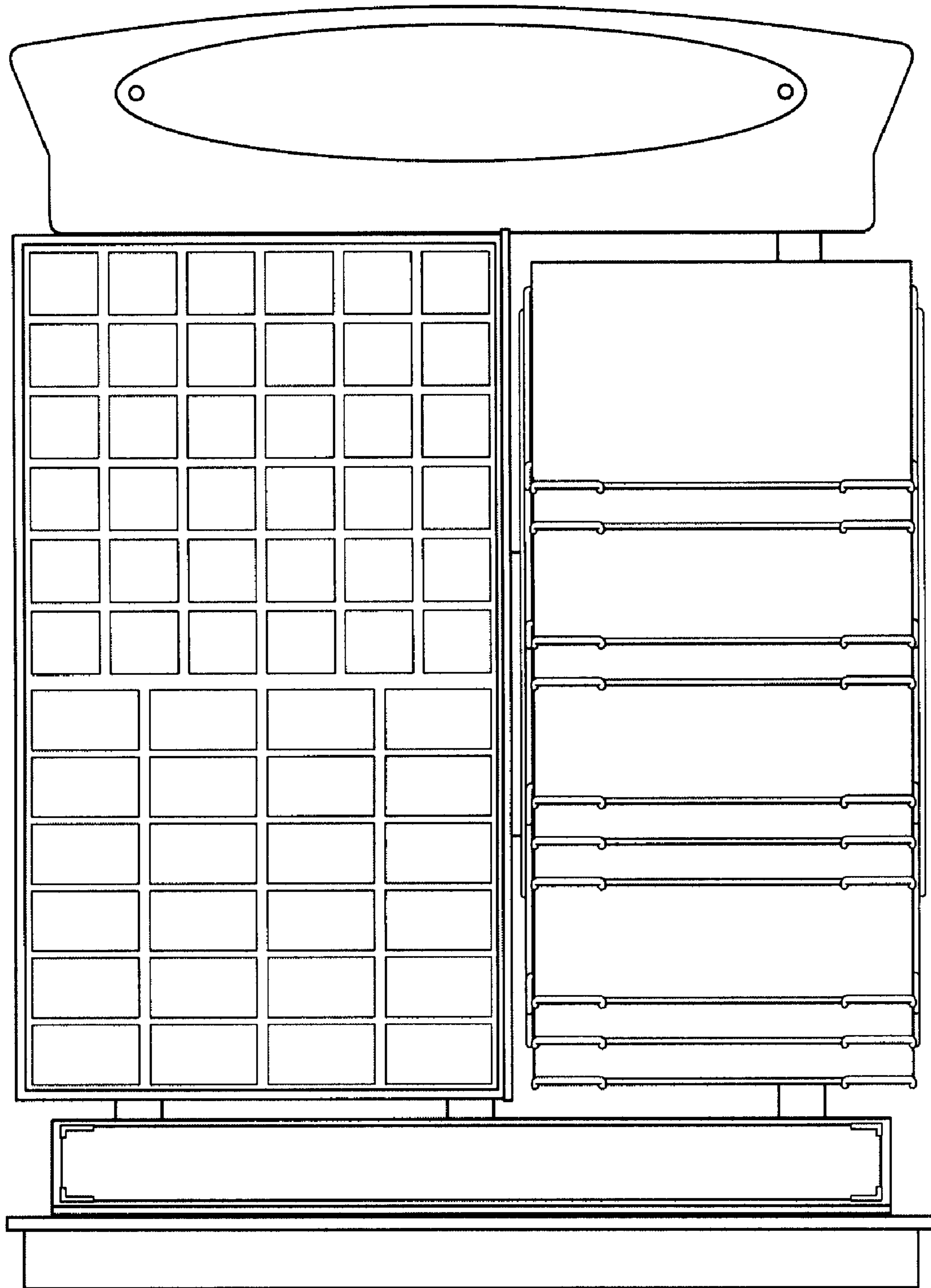
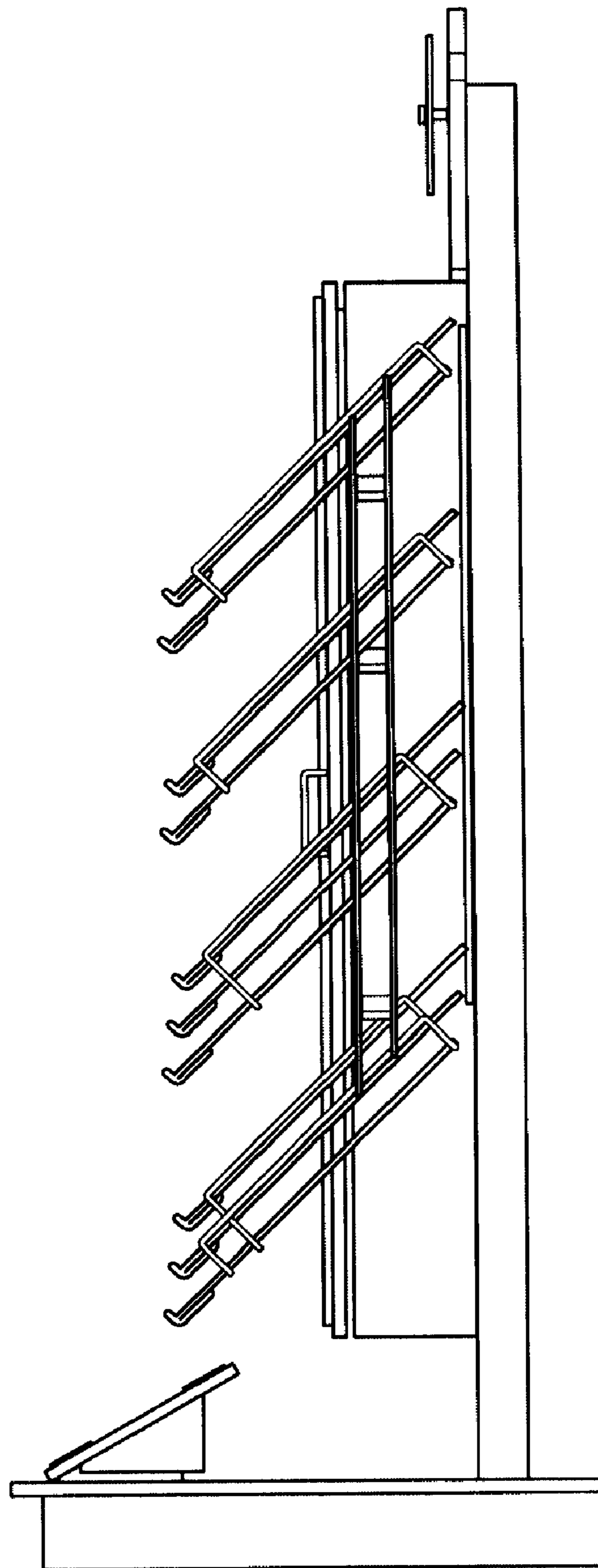


FIG. 1

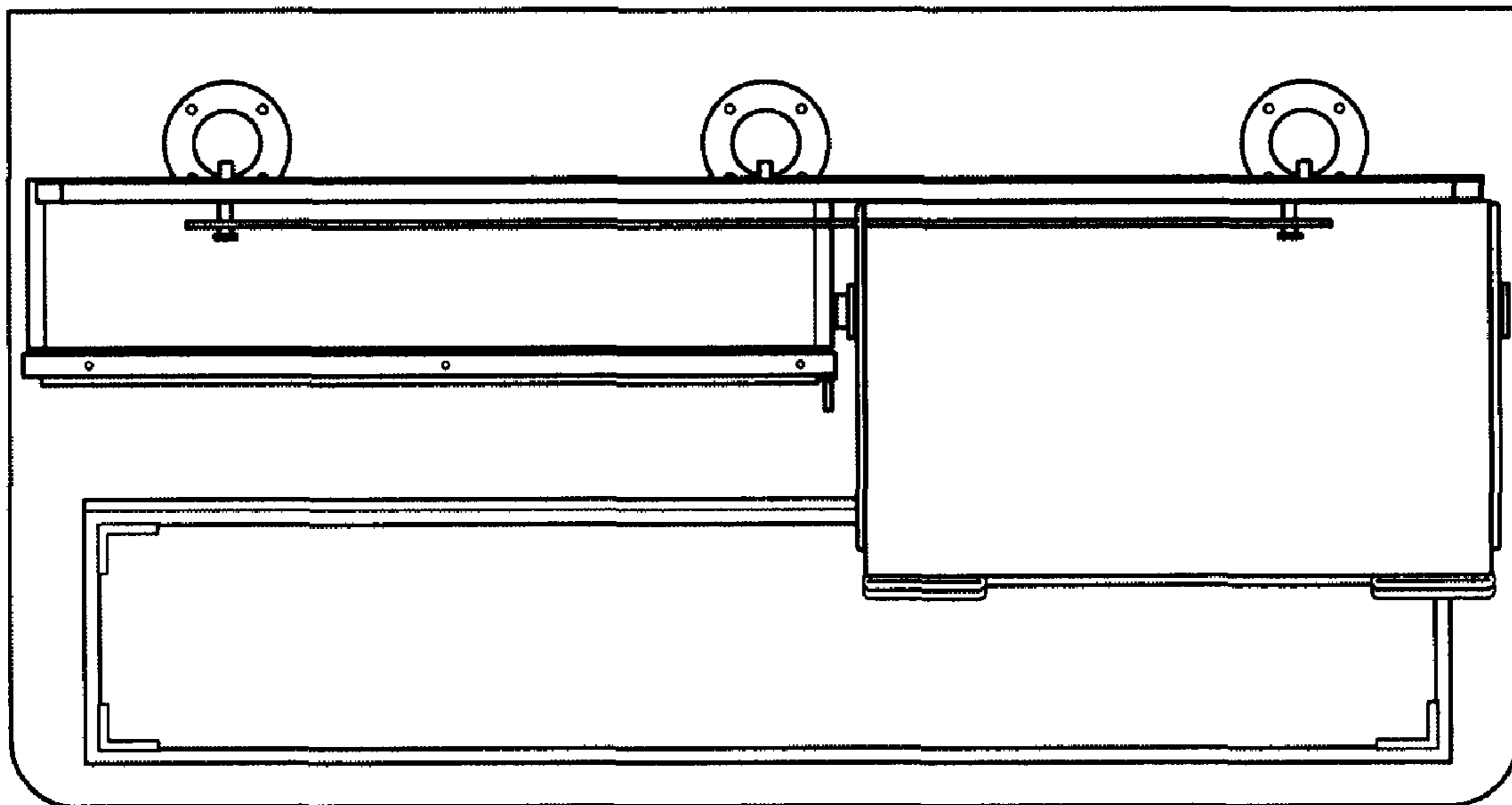


**FIG. 2**

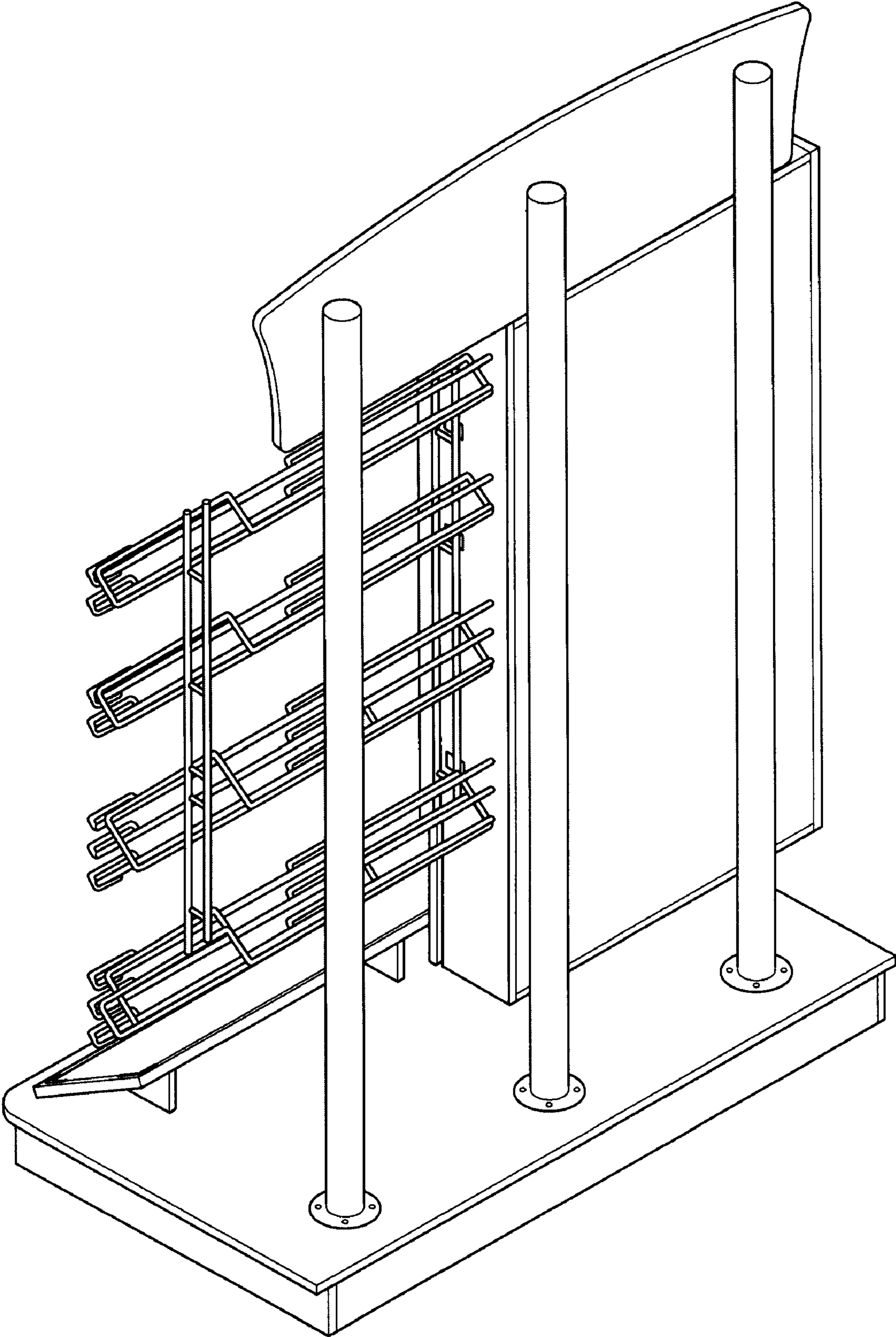




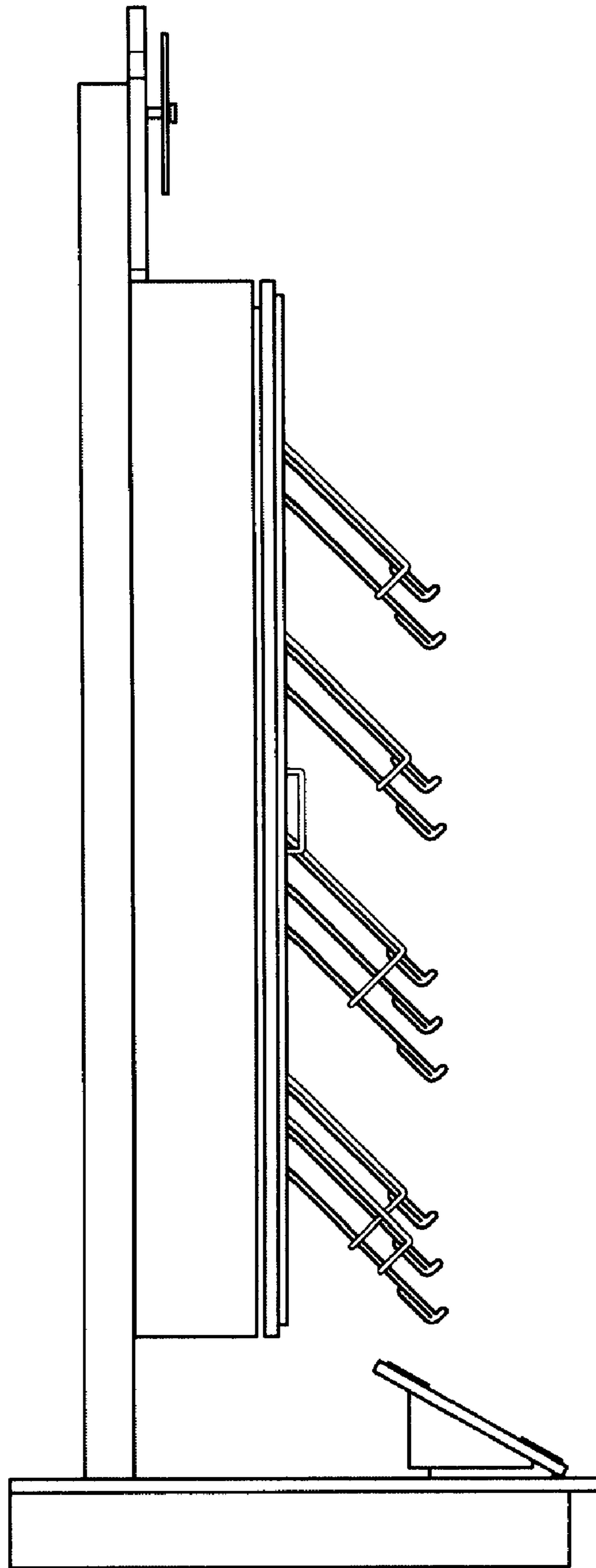
**FIG. 3**



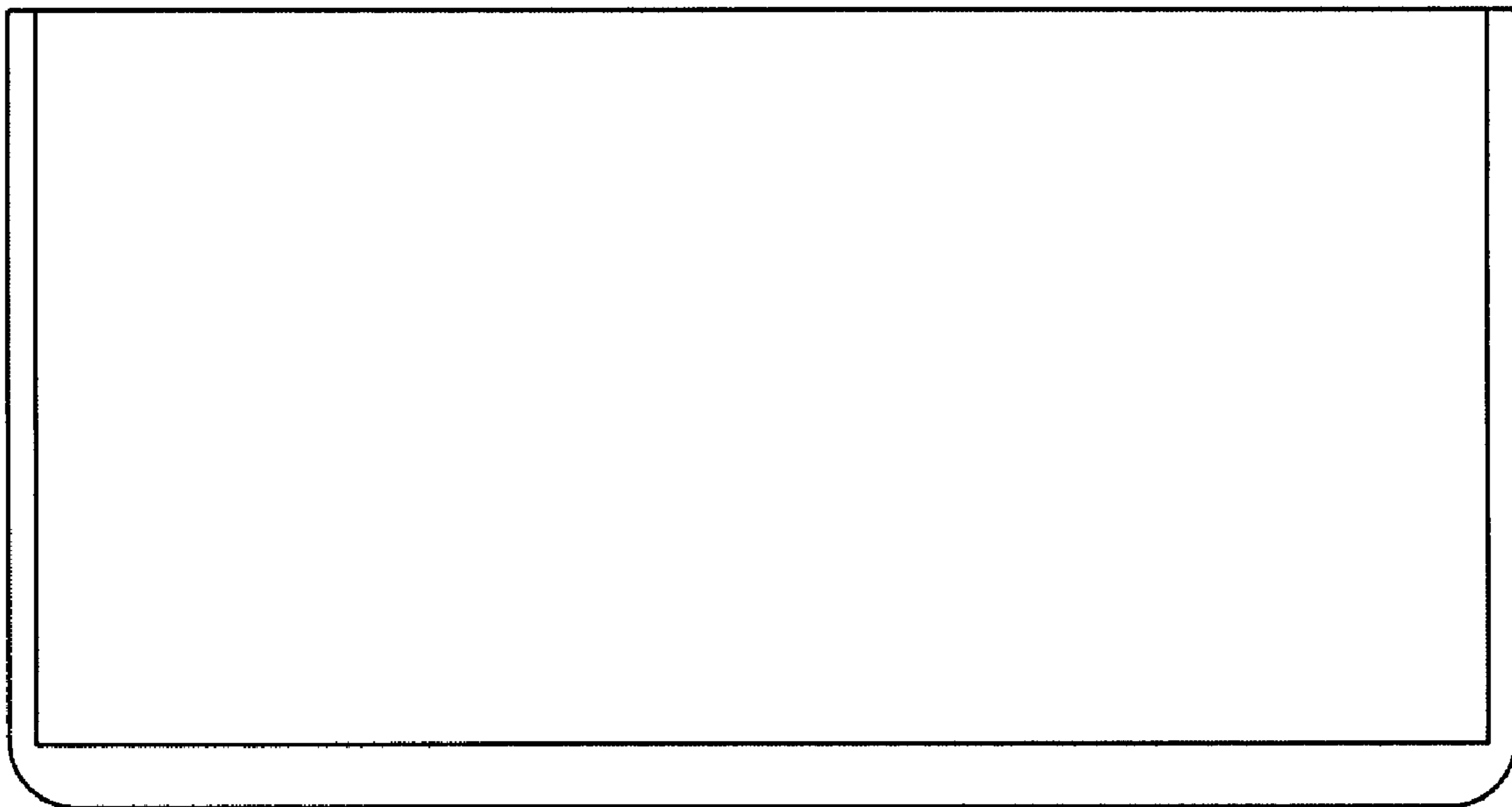
**FIG. 4**



**FIG. 5**



**FIG. 6**



**FIG. 7**