



US00D622976S

(12) **United States Design Patent**
Lovegrove

(10) **Patent No.:** **US D622,976 S**

(45) **Date of Patent:** **** Sep. 7, 2010**

(54) **CREDENZA**

(75) Inventor: **Ross Lovegrove**, London (GB)

(73) Assignee: **Knoll, Inc.**, East Greenville, PA (US)

(**) Term: **14 Years**

(21) Appl. No.: **29/346,277**

(22) Filed: **Oct. 29, 2009**

Related U.S. Application Data

(62) Division of application No. 29/307,612, filed on Apr. 30, 2008, now Pat. No. Des. 605,424.

(51) **LOC (9) Cl.** **06-04**

(52) **U.S. Cl.** **D6/446**

(58) **Field of Classification Search** D6/436-448;
312/114, 198, 204, 224, 257.1, 278, 279
See application file for complete search history.

(56) **References Cited**

U.S. PATENT DOCUMENTS

D243,981 S *	4/1977	Carter	D6/446
D273,923 S	5/1984	Matthias	D6/445
D275,350 S	9/1984	Thompson	D6/446
D284,719 S	7/1986	Keller	D6/446
D312,738 S	12/1990	Newhouse	D6/446
5,090,784 A	2/1992	Battista	312/204
D336,392 S	6/1993	Whalen	D6/446
D396,577 S *	8/1998	Zaidman	D6/446

D401,443 S *	11/1998	Zaidman	D6/446
D440,430 S *	4/2001	Hutton	D6/446
D442,802 S *	5/2001	Morrow	D6/446
D488,002 S *	4/2004	Wanek et al.	D6/446
D502,337 S	3/2005	Mohundro	D6/446
D508,347 S *	8/2005	Juneau et al.	D6/446
D532,624 S *	11/2006	Juneau	D6/436
D542,057 S *	5/2007	Juneau	D6/446
D564,254 S *	3/2008	Heublein	D6/446
D605,424 S *	12/2009	Lovegrove	D6/445

* cited by examiner

Primary Examiner—Mimosa De

(74) *Attorney, Agent, or Firm*—Buchanan Ingersoll & Rooney PC

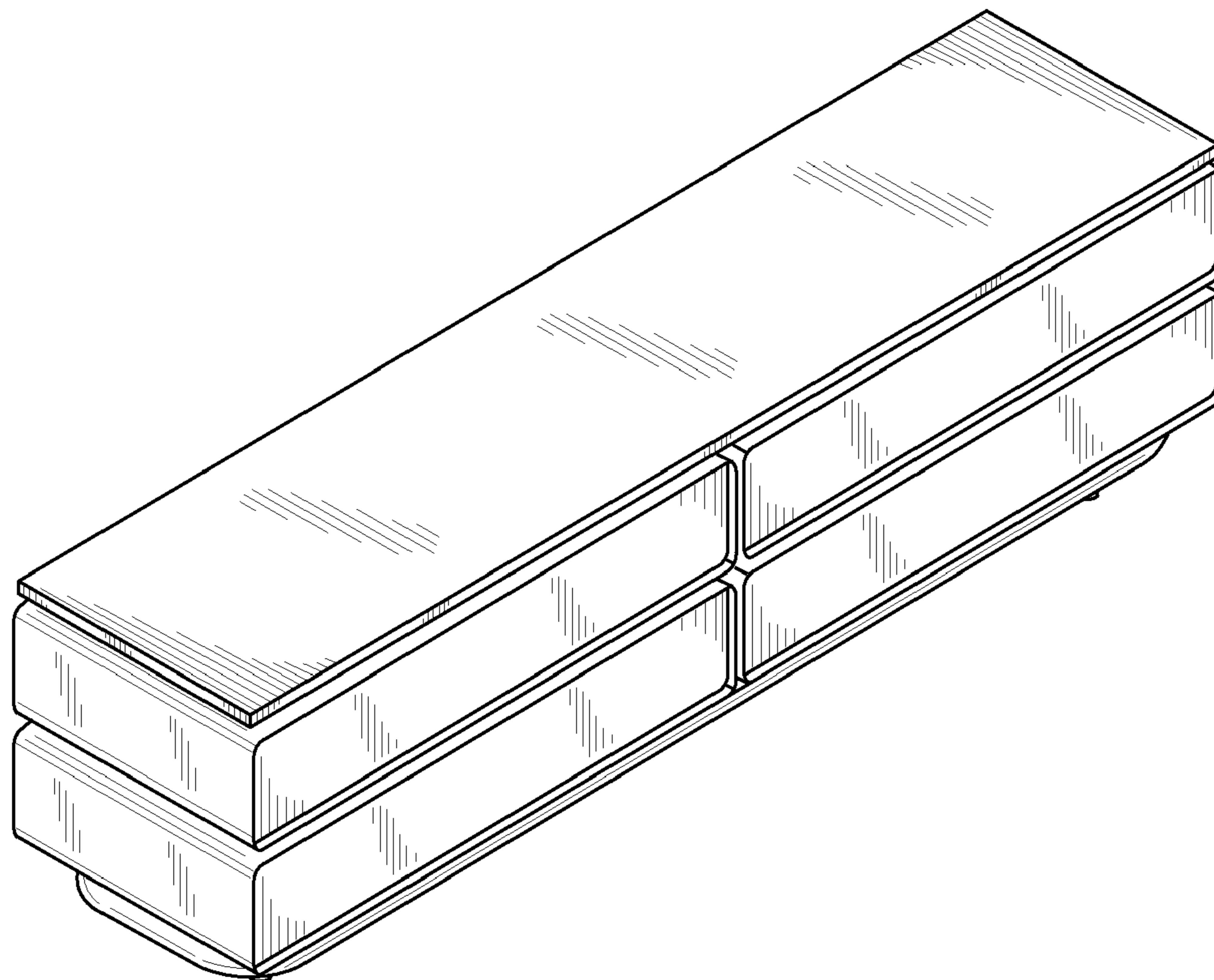
(57) **CLAIM**

The ornamental design for a credenza, as shown and described.

DESCRIPTION

FIG. 1 is a perspective view of a credenza showing my design;
FIG. 2 is a front elevational view thereof;
FIG. 3 is a rear elevational view thereof;
FIG. 4 is a right side elevational view thereof;
FIG. 5 is a left side elevational view thereof;
FIG. 6 is a top plan view thereof; and,
FIG. 7 is a bottom plan view thereof.

1 Claim, 4 Drawing Sheets



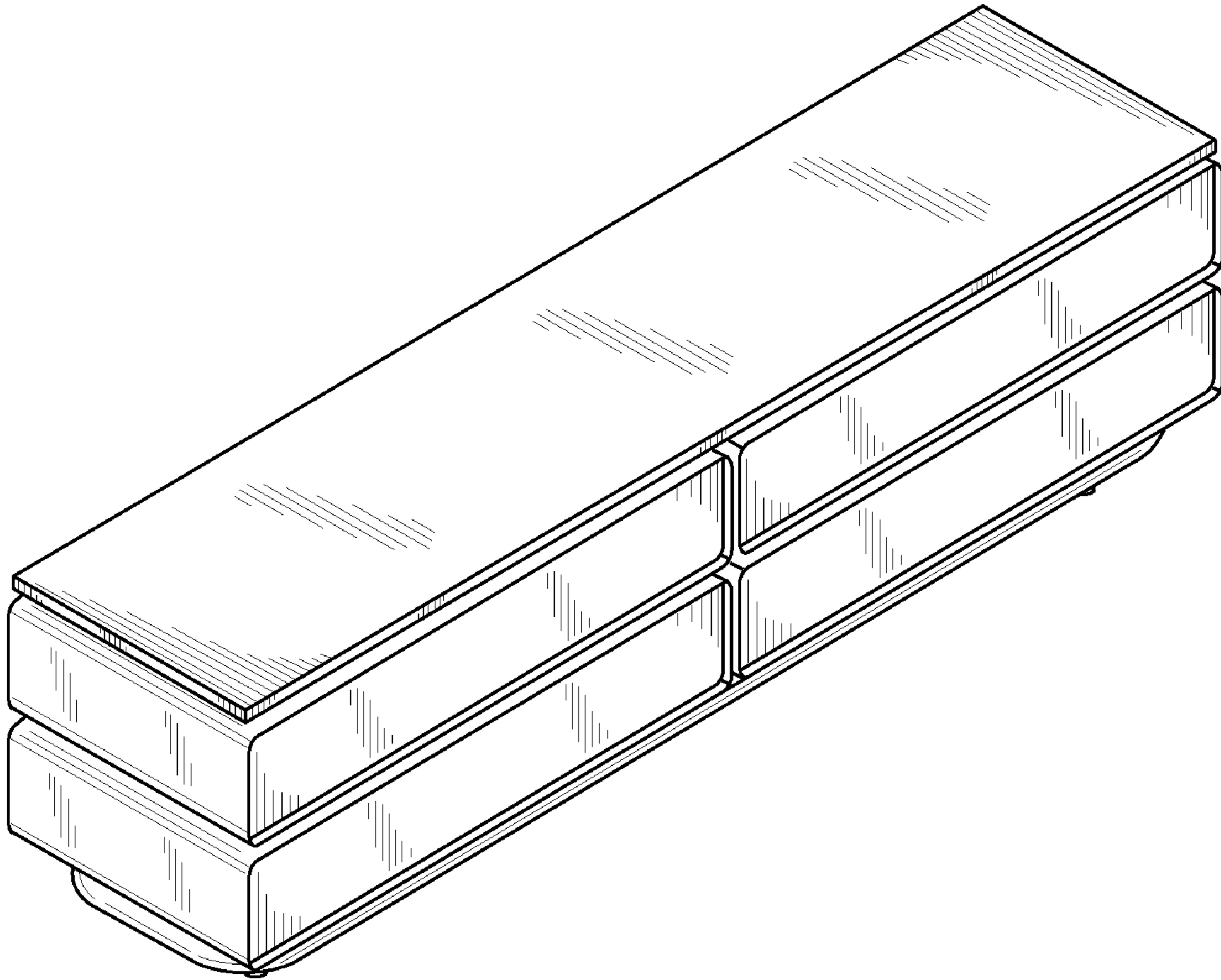


FIG. 1

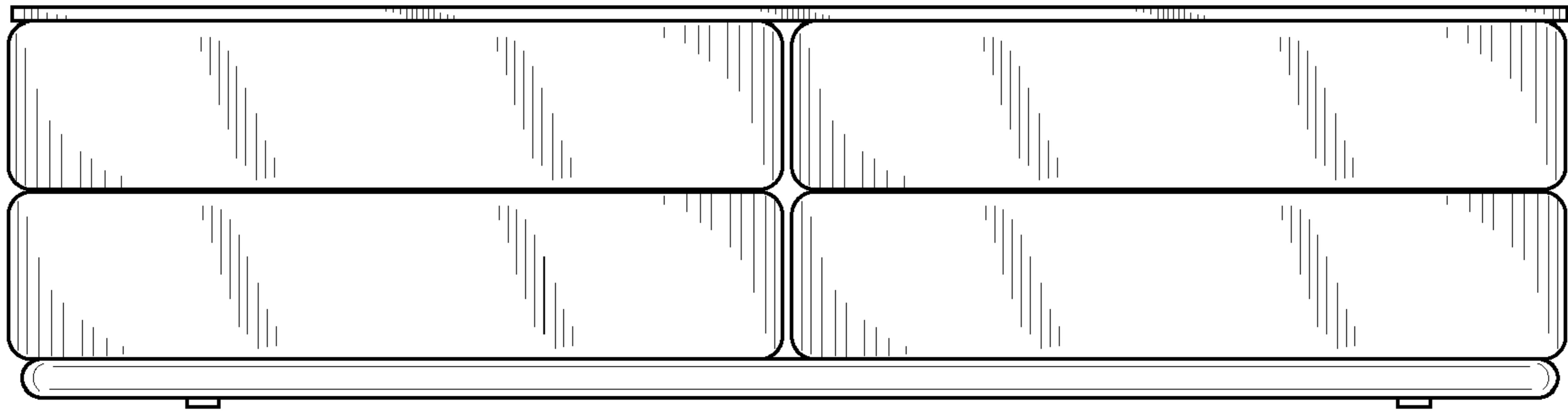


FIG. 2

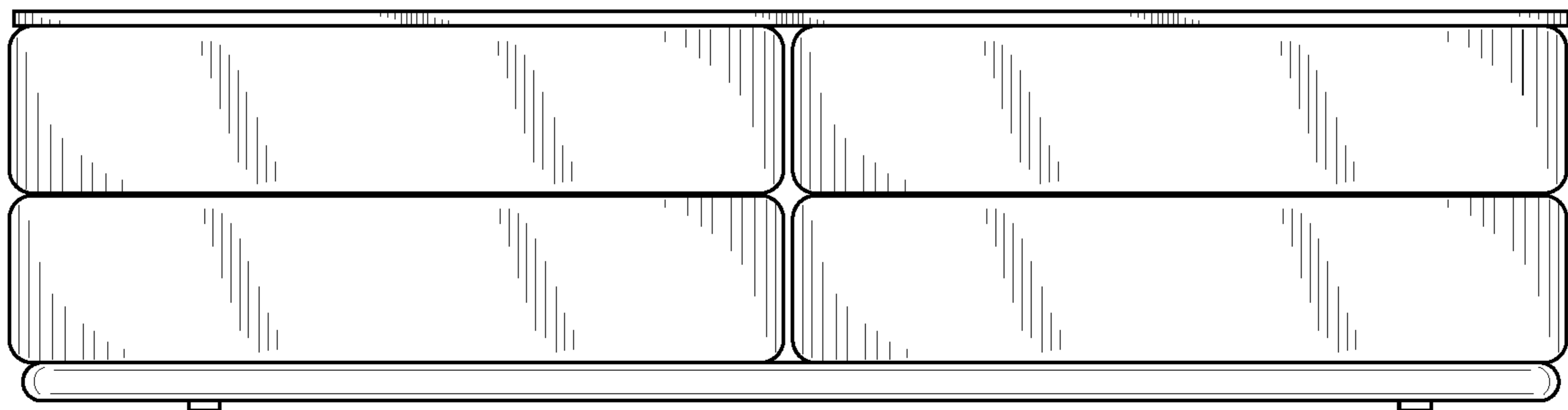


FIG. 3

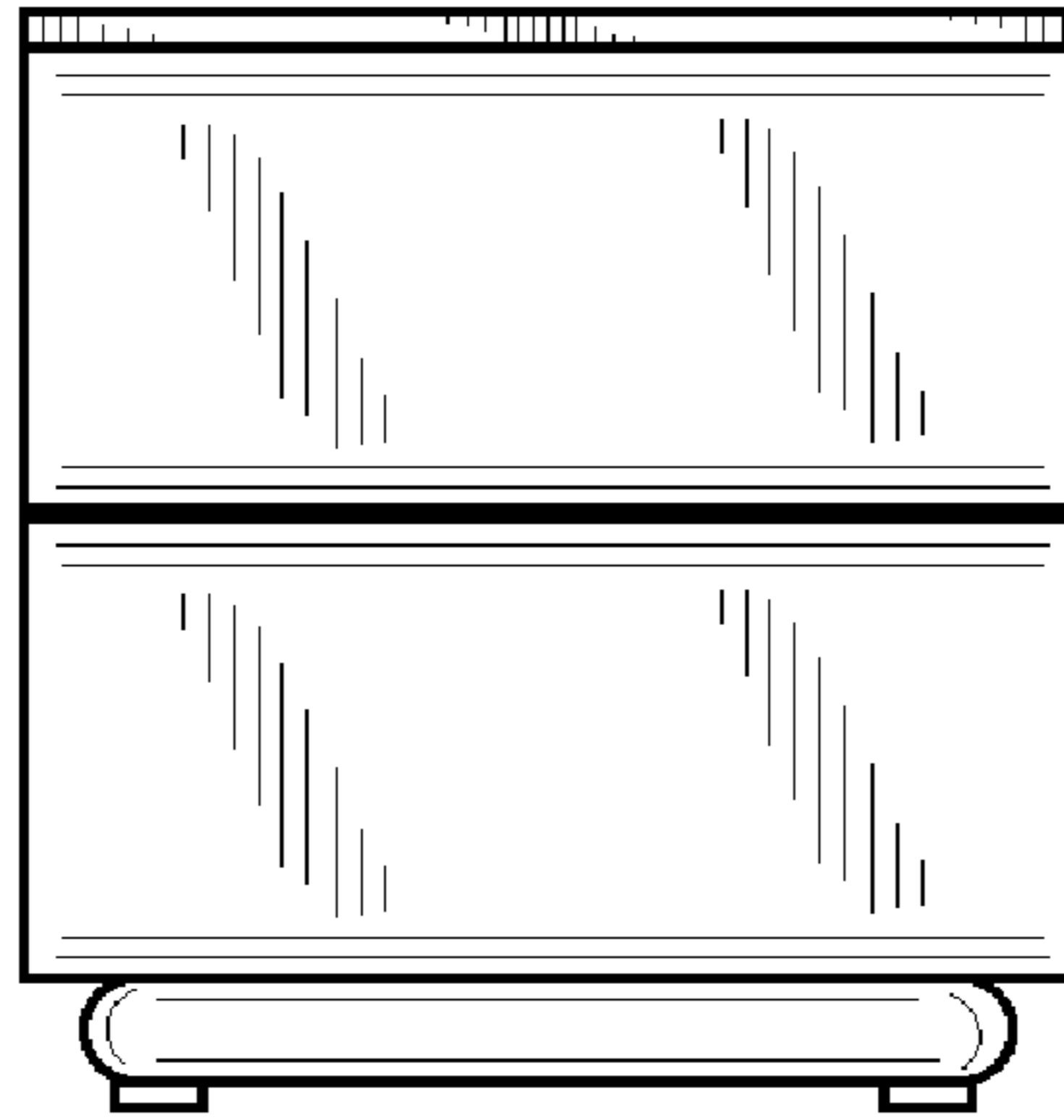


FIG. 4

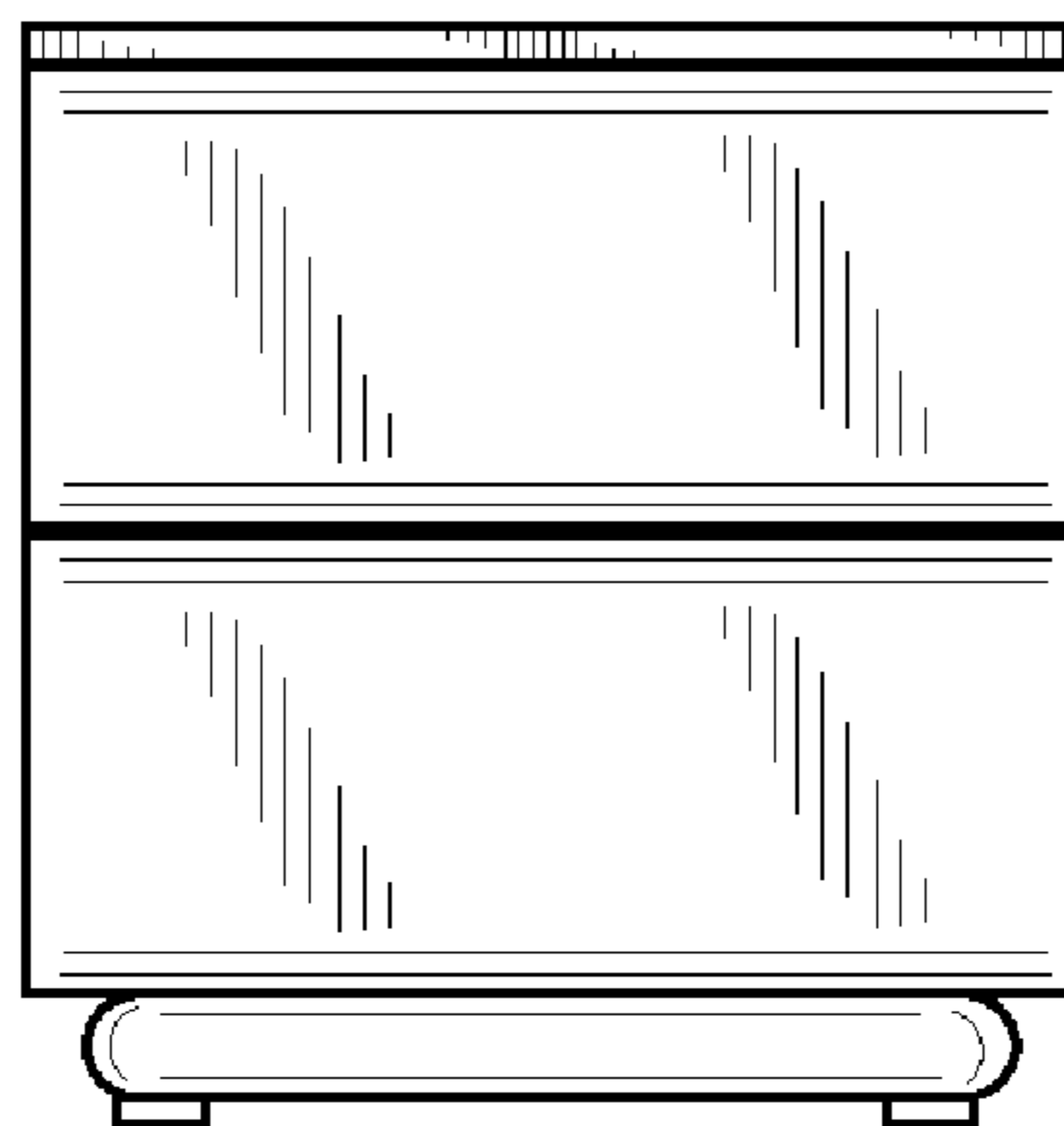


FIG. 5

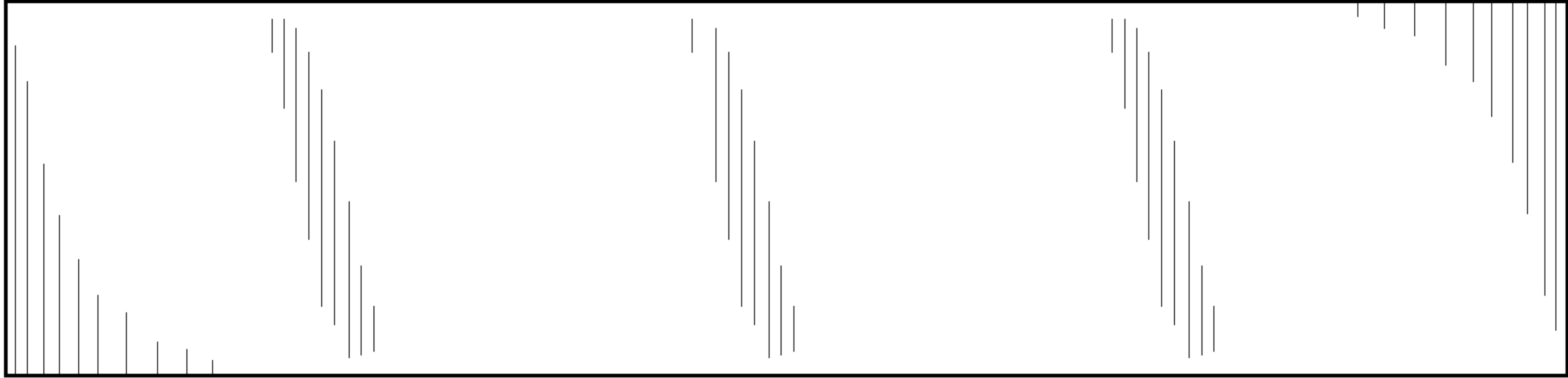


FIG. 6

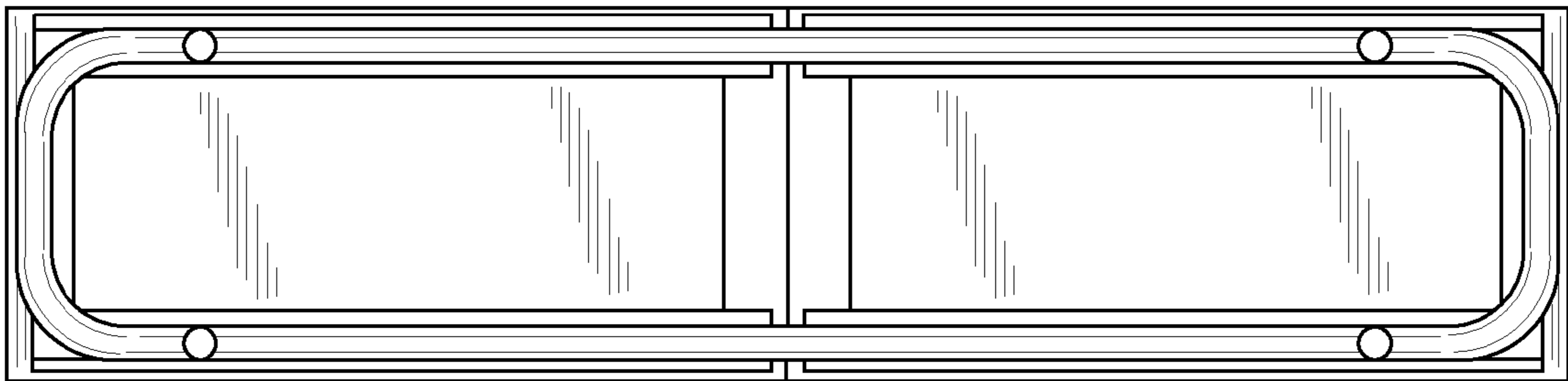


FIG. 7