



US00D622972S

(12) **United States Design Patent**
Jones

(10) **Patent No.:** **US D622,972 S**
(45) **Date of Patent:** **** Sep. 7, 2010**

(54) **GARMENT HANGER**

(75) Inventor: **Michael Edward Jones**, Ruthin (GB)

(73) Assignee: **Mainetti (UK) Limited** (GB)

(**) Term: **14 Years**

(21) Appl. No.: **29/350,717**

(22) Filed: **Nov. 23, 2009**

(51) **LOC (9) Cl.** **06-08**

(52) **U.S. Cl.** **D6/326**

(58) **Field of Classification Search** D6/315,
D6/323, 325, 326, 328; 211/1, 13.1, 85.3;
223/85-98

See application file for complete search history.

(56) **References Cited**

U.S. PATENT DOCUMENTS

D423,235	S	*	4/2000	Bond et al.	D6/326
6,119,906	A	*	9/2000	Bond et al.	223/96
D433,822	S	*	11/2000	Sullivan	D6/328
D463,918	S	*	10/2002	Goldman et al.	D6/328
6,622,897	B2	*	9/2003	Bokmiller et al.	223/93
D502,328	S	*	3/2005	Gouldson	D6/326
D506,320	S	*	6/2005	Gouldson	D6/326
6,923,350	B2	*	8/2005	Gouldson et al.	223/96

D519,139 S * 4/2006 Singleton D6/326
2003/0222108 A1 * 12/2003 Gouldson et al. 223/91

* cited by examiner

Primary Examiner—Shanda C Hill

(74) *Attorney, Agent, or Firm*—Jack Schwartz & Associates, PLLC

(57) **CLAIM**

The ornamental design for a garment hanger, as shown and described.

DESCRIPTION

FIG. 1 is a top view of a garment hanger showing my new design;

FIG. 2 is a front view thereof;

FIG. 3 is a right side view thereof;

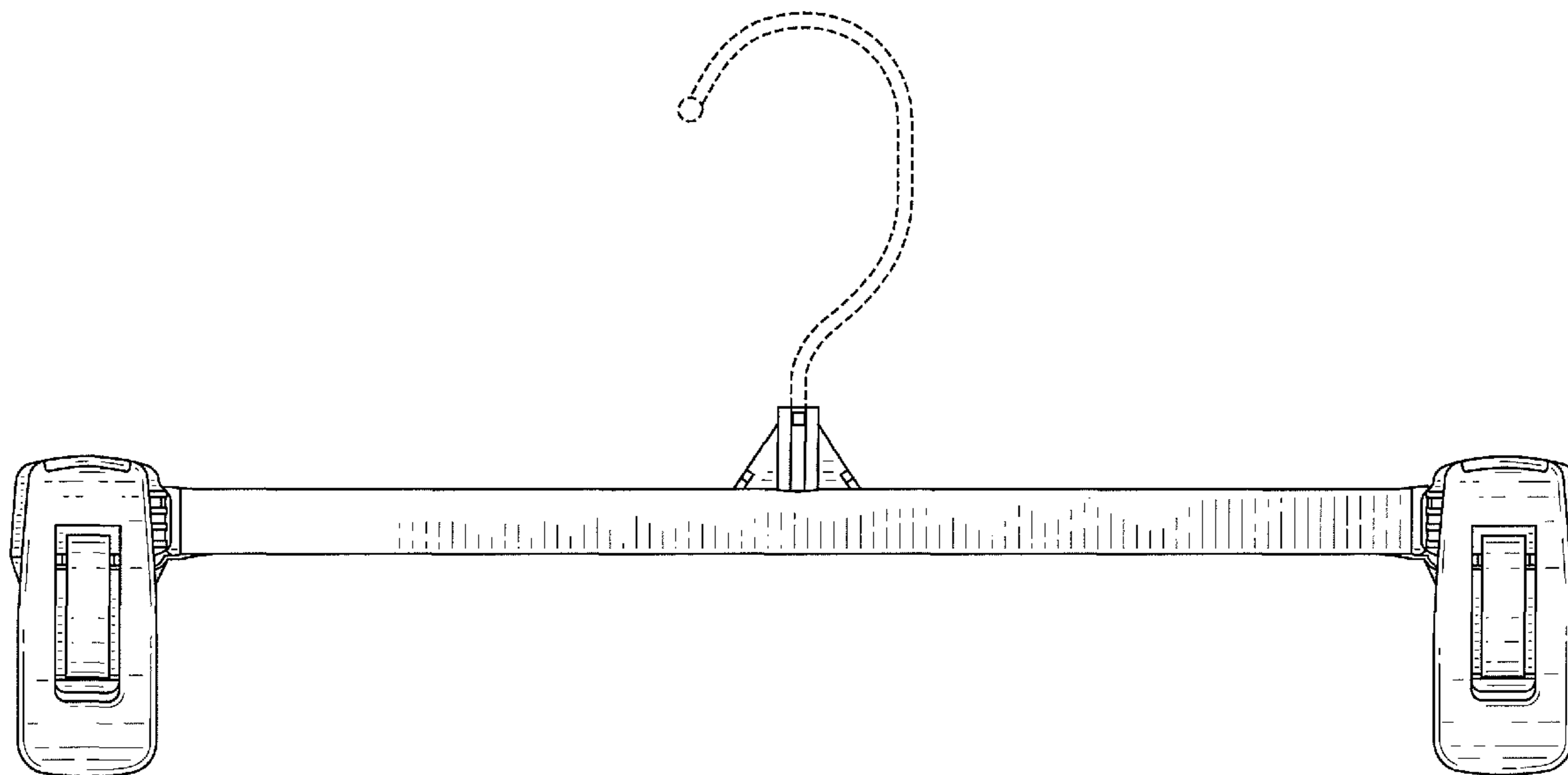
FIG. 4 is a back view thereof;

FIG. 5 is a bottom view thereof; and,

FIG. 6 is a left side view thereof.

The broken lines shown in the drawing disclosure are for illustrative purposes only and form no part of the claimed design.

1 Claim, 6 Drawing Sheets



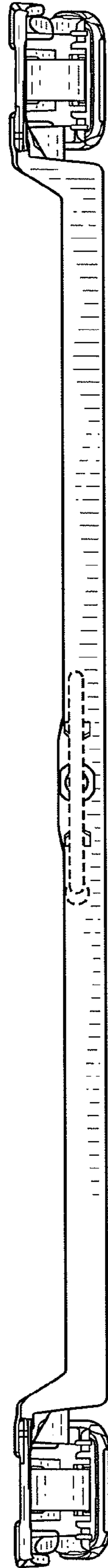


FIG. 1

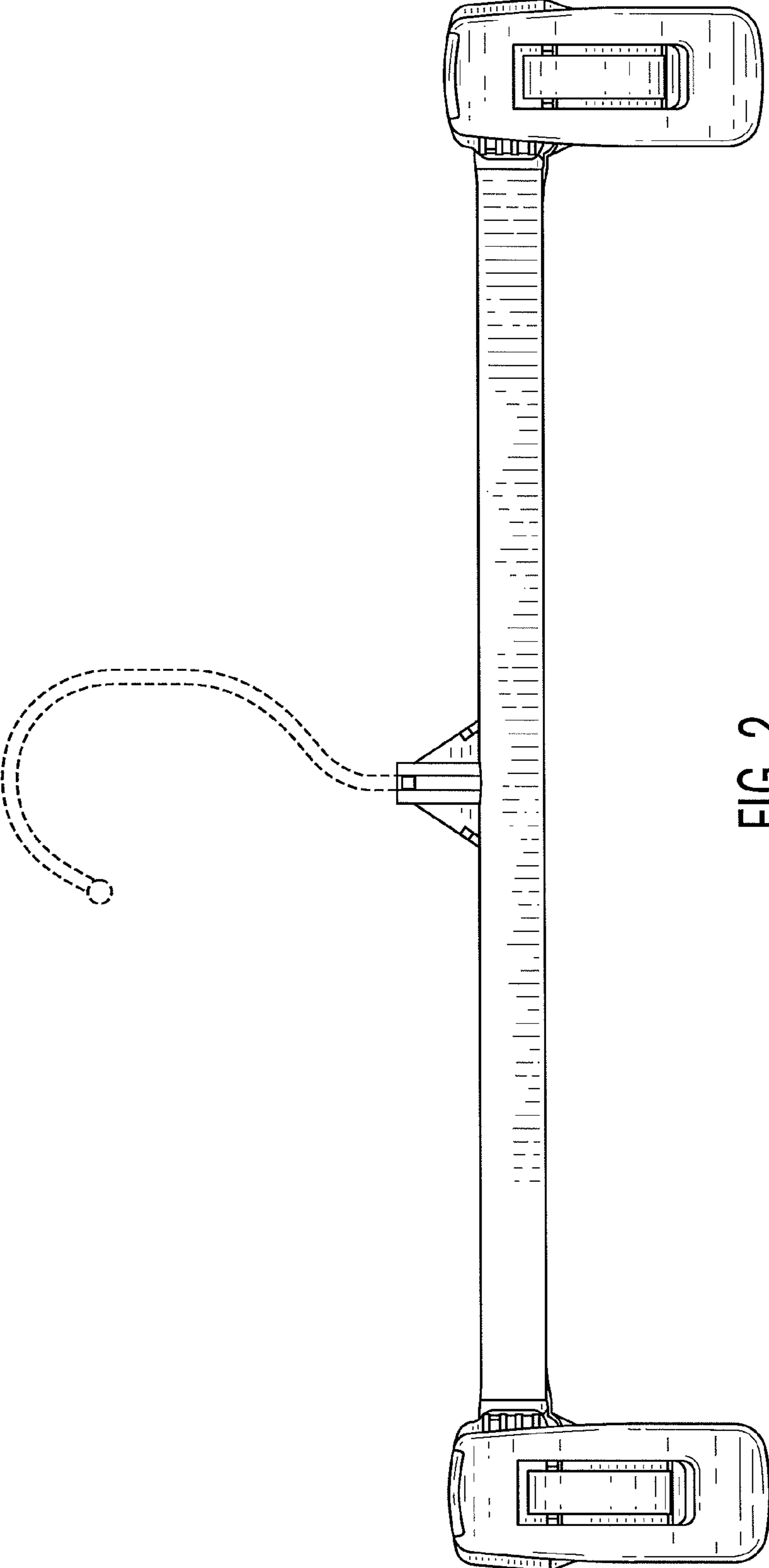


FIG. 2

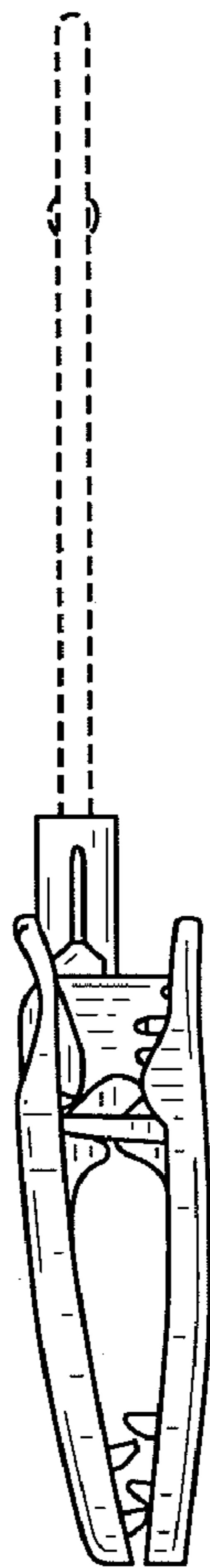


FIG. 3

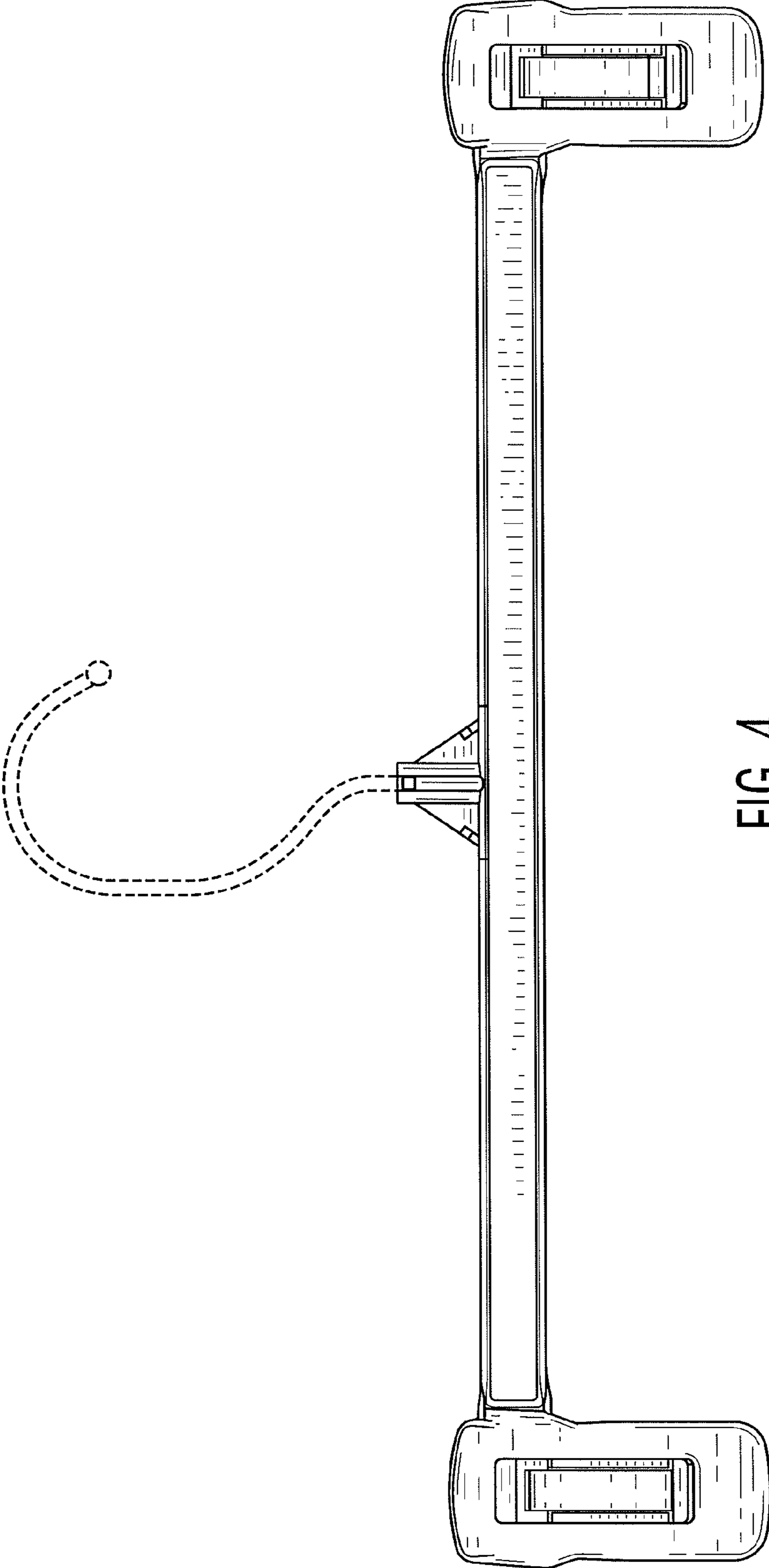


FIG. 4

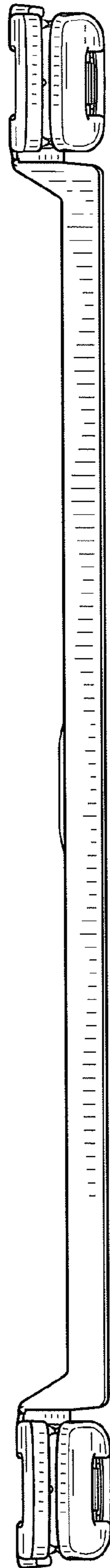


FIG. 5

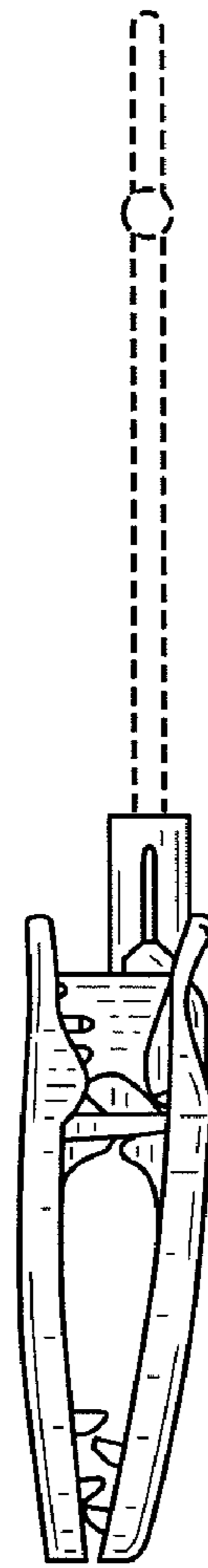


FIG. 6