



US00D622957S

(12) **United States Design Patent**
Marshall

(10) **Patent No.:** **US D622,957 S**
(45) **Date of Patent:** **** Sep. 7, 2010**

(54) **COMBINED SPORTS WALLET AND ARM BAND**

(76) Inventor: **Gary Marshall**, 4951 Hwy. 271 South,
Mt. Pleasant, TX (US) 75455

(**) Term: **14 Years**

(21) Appl. No.: **29/335,650**

(22) Filed: **Apr. 17, 2009**

(51) **LOC (9) Cl.** **03-01**

(52) **U.S. Cl.** **D3/247**

(58) **Field of Classification Search** D3/247-252;
150/100, 103-104, 106-110, 113-114, 118-119,
150/130-132

See application file for complete search history.

(56) **References Cited**

U.S. PATENT DOCUMENTS

D501,718 S *	2/2005	Brown	D3/247
D517,803 S *	3/2006	Brown	D3/247
D550,454 S *	9/2007	Costello	D3/247
D553,856 S *	10/2007	Shum	D3/247

* cited by examiner

Primary Examiner—Holly H Baynham

(57) **CLAIM**

The ornamental design for a combined sports wallet and arm band, as shown and described.

DESCRIPTION

FIG. 1 is a perspective view of a new, original and ornamental design for a combined sports wallet and arm band in accordance with the present disclosure;

FIG. 2 is a front elevation view of a combined sports wallet and arm band shown in FIG. 1;

FIG. 3 is a rear elevation view of a combined sports wallet and arm band shown in FIG. 1;

FIG. 4 is a bottom plan view of a combined sports wallet and arm band shown in FIG. 1;

FIG. 5 is a top plan view of a combined sports wallet and arm band shown in FIG. 1;

FIG. 6 is a right side elevation view of a combined sports wallet and arm band shown in FIG. 1;

FIG. 7 is a left side elevation view of a combined sports wallet and arm band shown in FIG. 1;

FIG. 8 is a open view of a combined sports wallet and arm band shown in FIG. 1 showing the inside of the combined sports wallet and arm band;

FIG. 9 is another open view of a combined sports wallet and arm band shown in FIG. 1 showing the inside of the combined sports wallet and arm band;

FIG. 10 is an open view of a combined sports wallet and arm band shown in FIG. 1 showing the outside of the combined sports wallet and arm band;

FIG. 11 is a left side elevation view of a combined sports wallet and arm band shown in FIG. 1;

FIG. 12 is a right side view of a combined sports wallet and arm band shown in FIG. 1;

FIG. 13 is a left side elevation view of a combined sports wallet and arm band shown in FIG. 1; and,

FIG. 14 is a right side view of a combined sports wallet and arm band shown in FIG. 1.

The broken lines representing stitching are part of the claimed design.

1 Claim, 8 Drawing Sheets

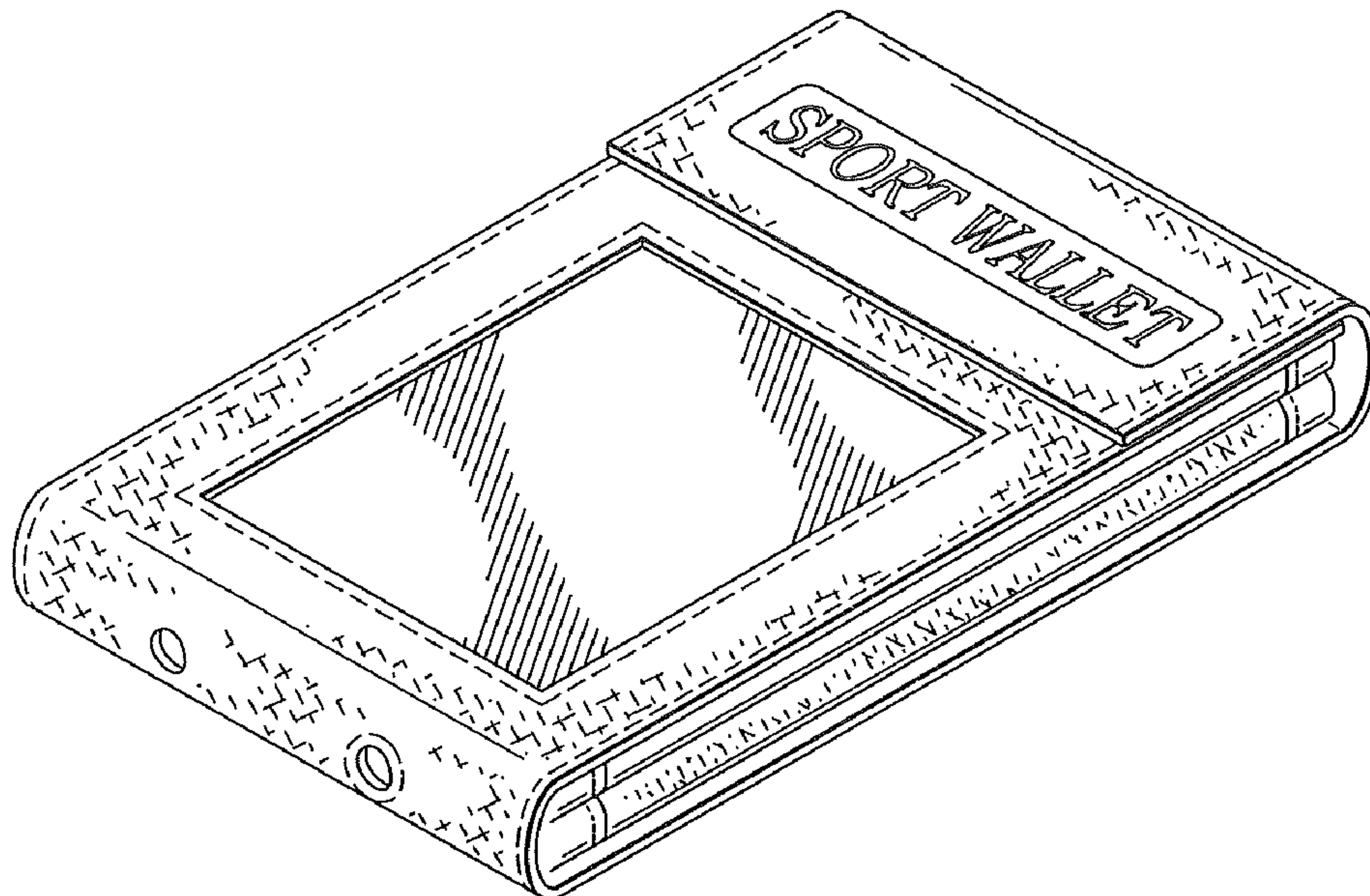


FIG. 1

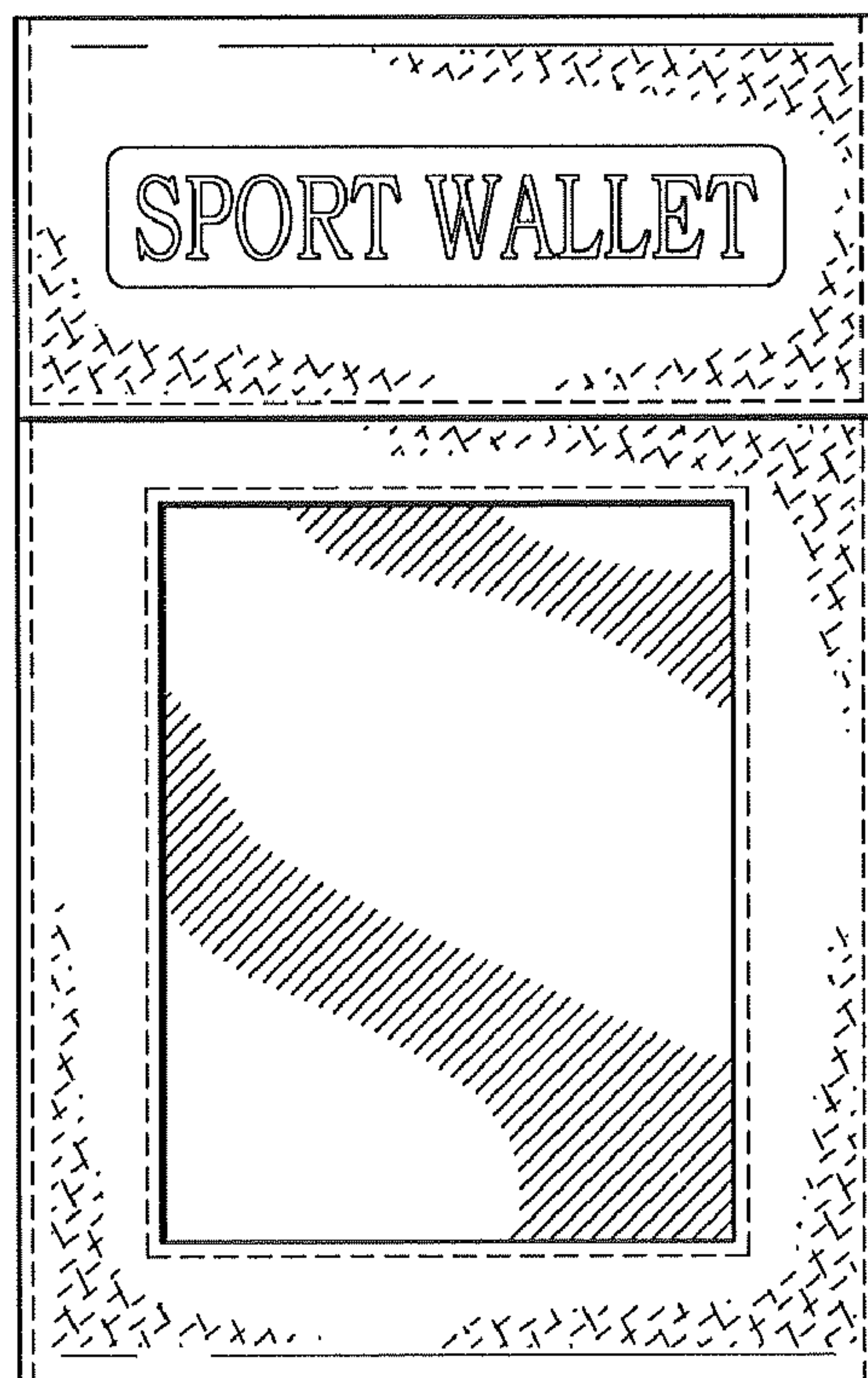
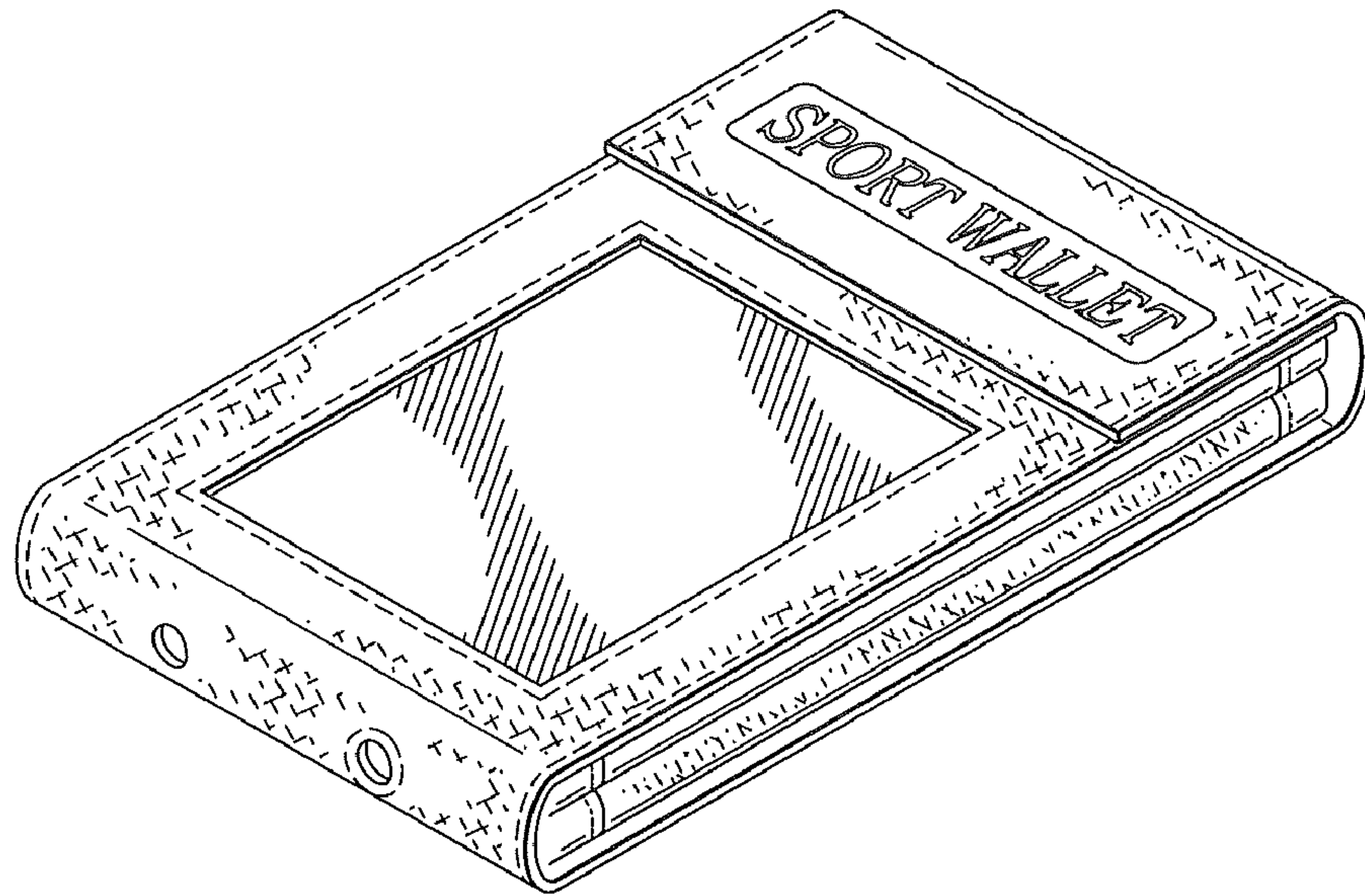


FIG. 2

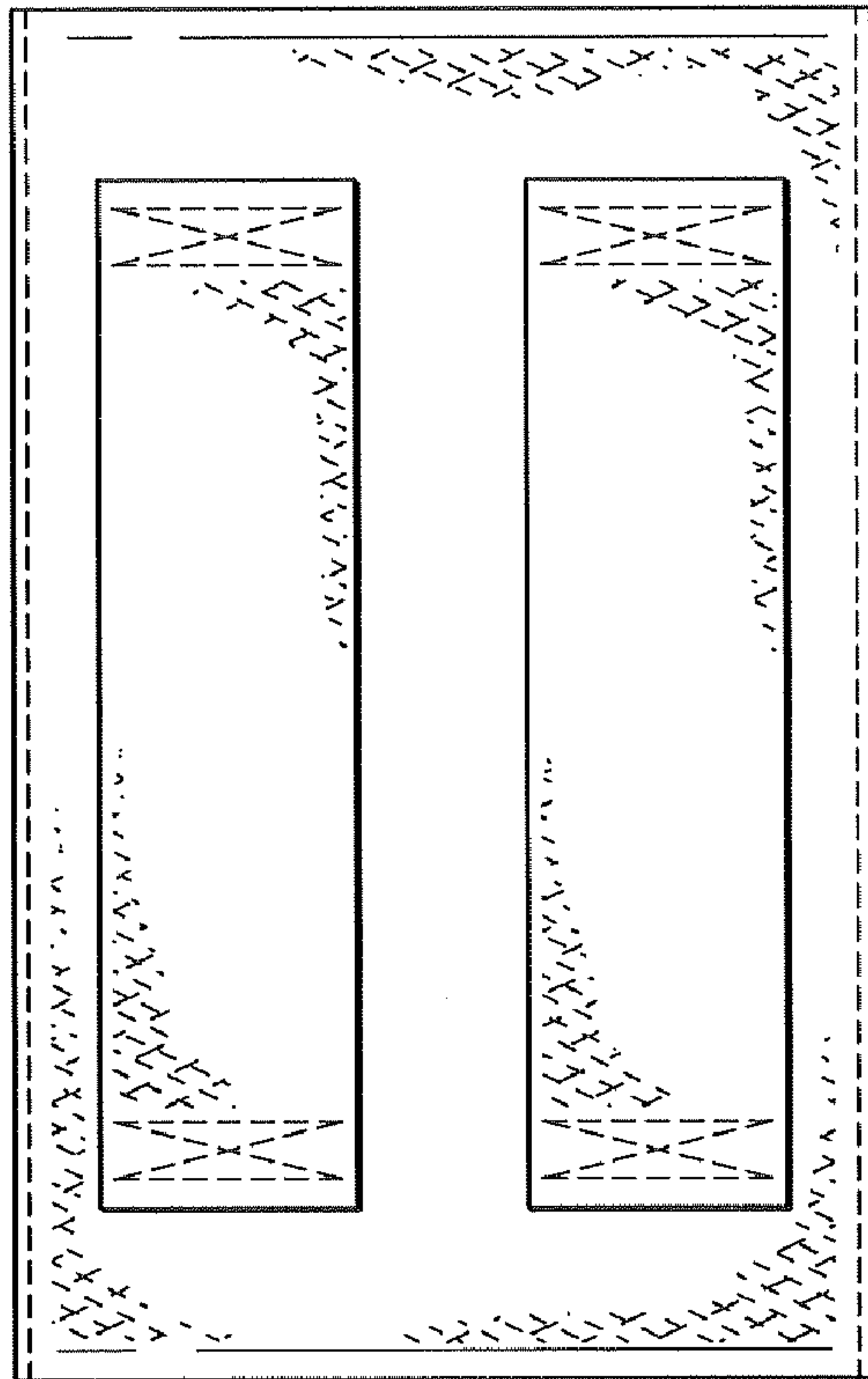


FIG. 3

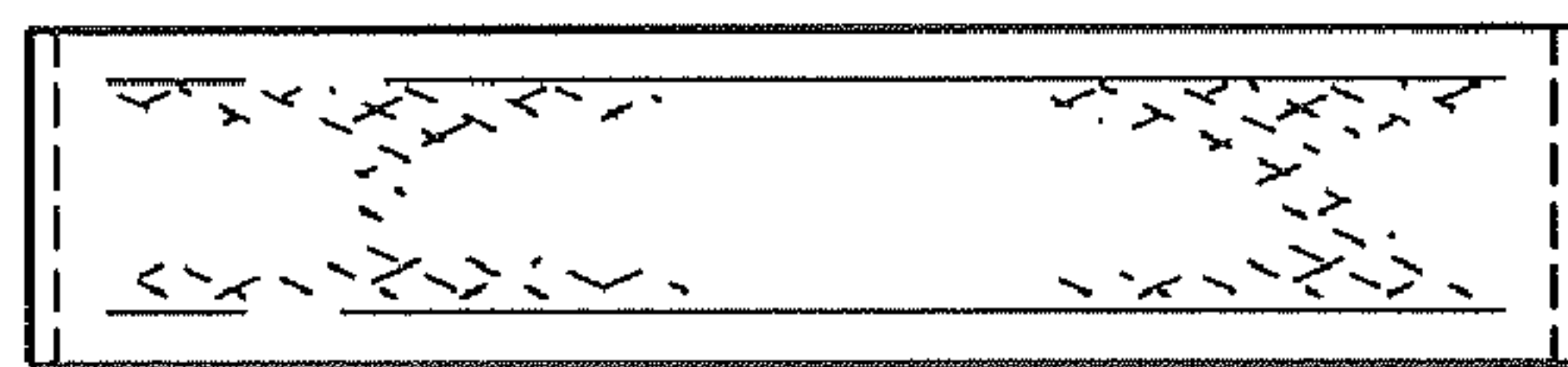


FIG. 4

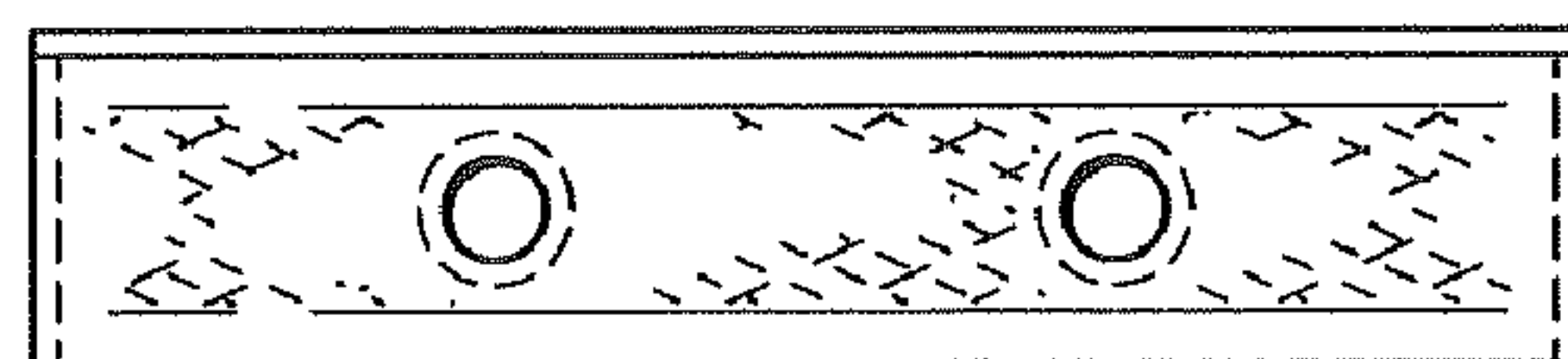


FIG. 5

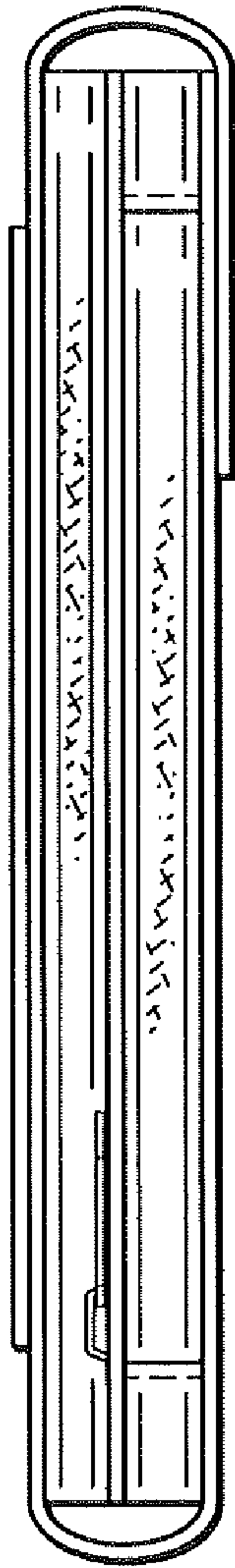


FIG. 6

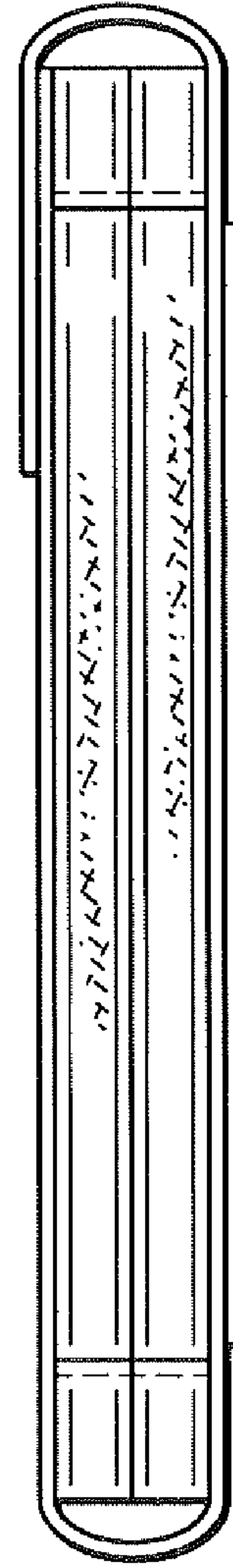


FIG. 7

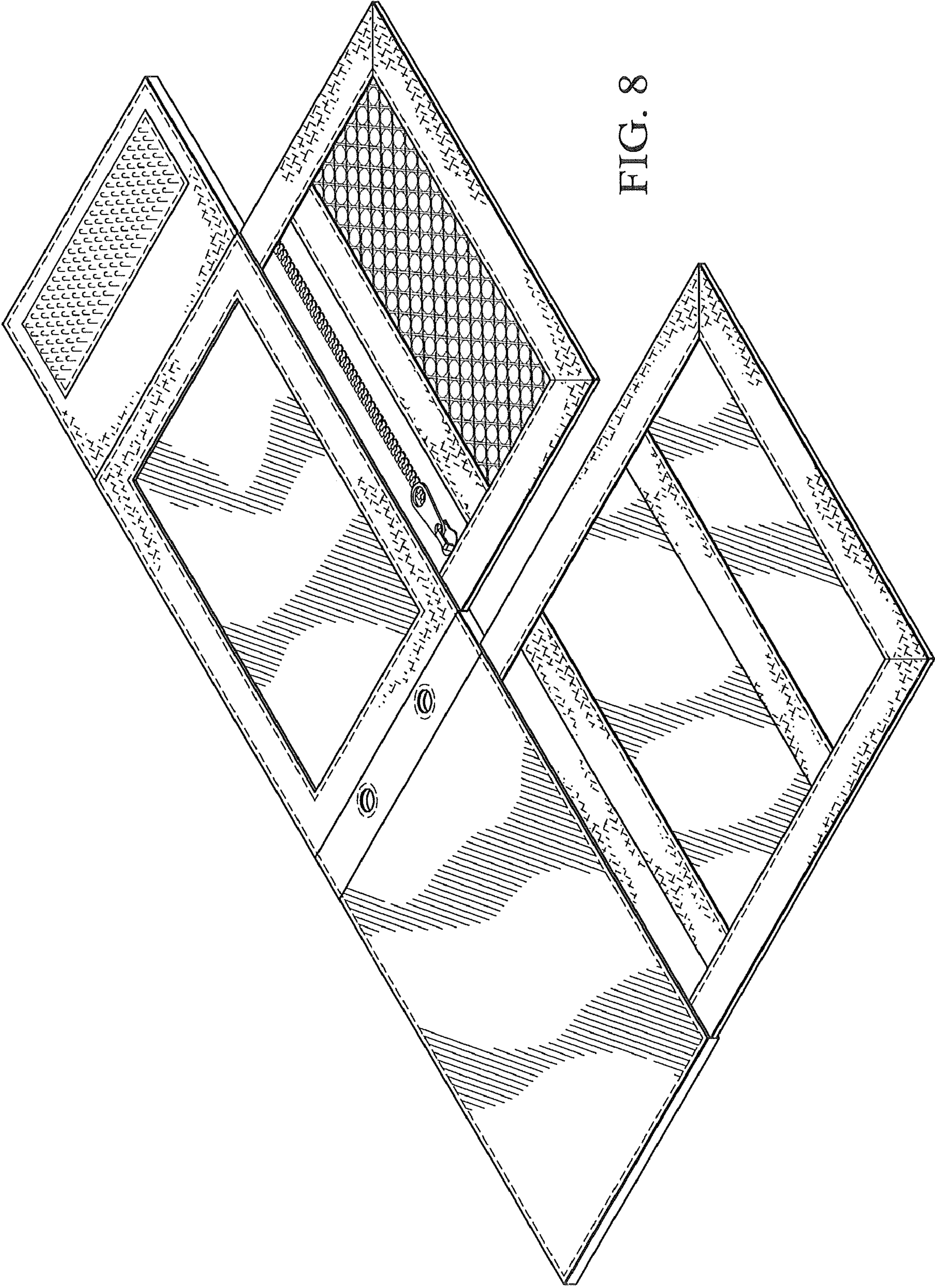


FIG. 8

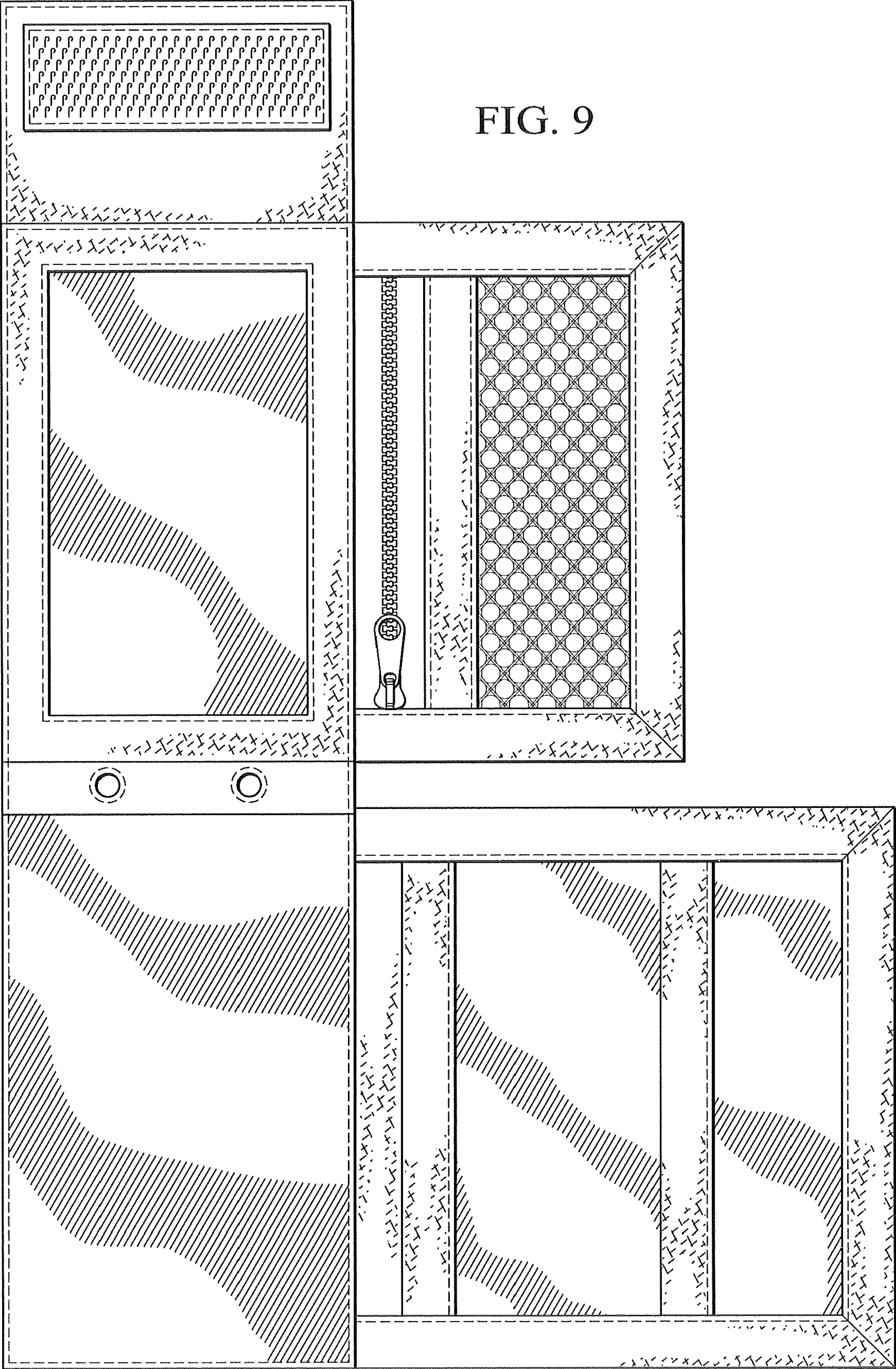
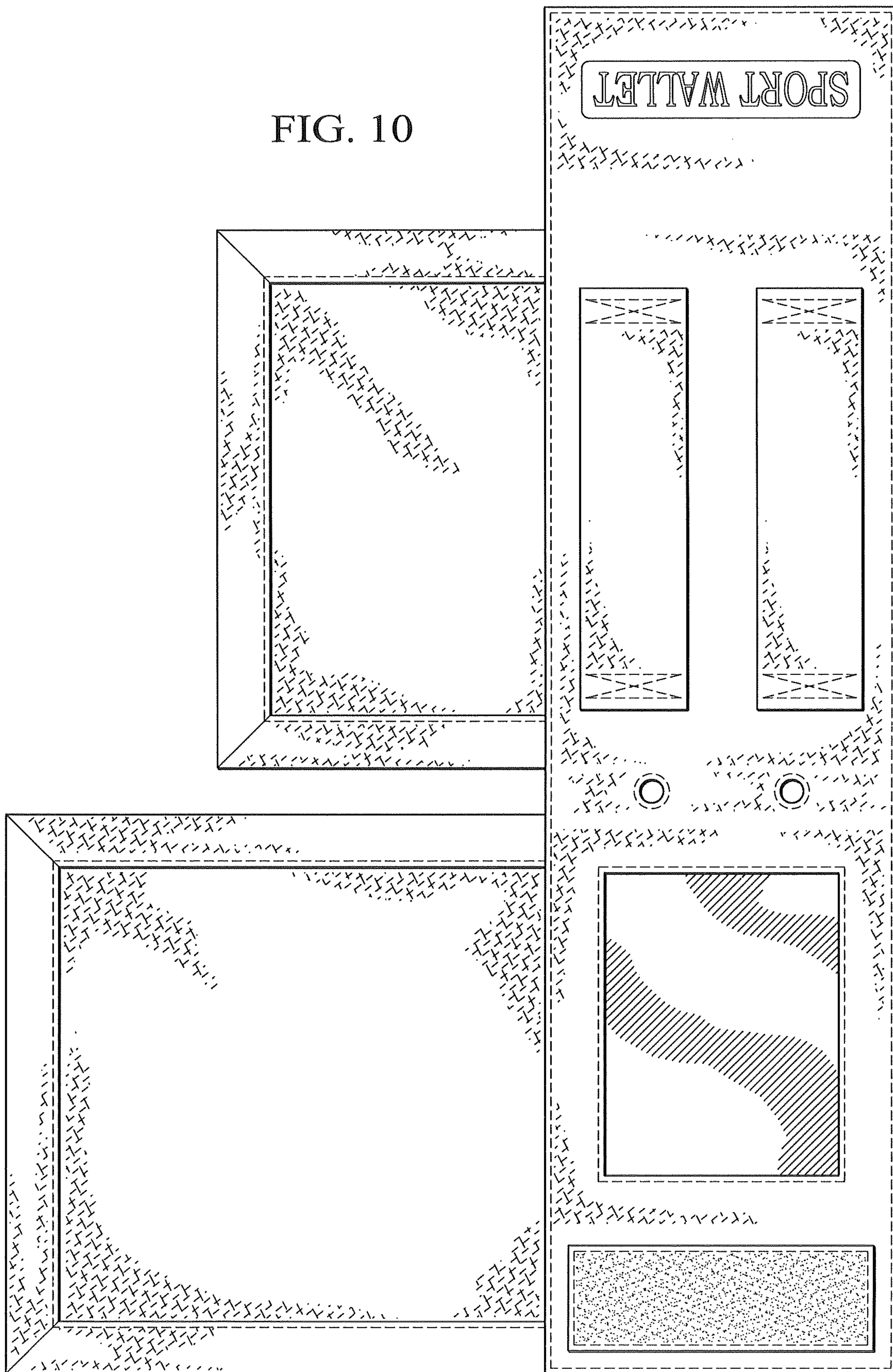


FIG. 10



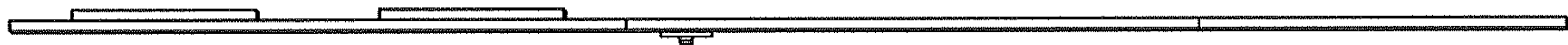


FIG. 11



FIG. 12



FIG. 13



FIG. 14