



US00D622954S

(12) **United States Design Patent**  
**Porter-Young**

(10) **Patent No.:** **US D622,954 S**

(45) **Date of Patent:** **\*\* Sep. 7, 2010**

(54) **POUCH**

(76) Inventor: **Monaqui Porter-Young**, 36 W. 20<sup>th</sup> St.,  
3<sup>rd</sup> Floor, New York, NY (US) 10011

(\*\*) Term: **14 Years**

(21) Appl. No.: **29/341,491**

(22) Filed: **Aug. 6, 2009**

**Related U.S. Application Data**

(63) Continuation-in-part of application No. 29/312,834,  
filed on Nov. 14, 2008, now Pat. No. Des. 609,454.

(51) **LOC (9) Cl.** ..... **03-01**

(52) **U.S. Cl.** ..... **D3/202**

(58) **Field of Classification Search** ..... D3/202,  
D3/221, 227, 229, 257, 303, 315, 904; D7/624.3;  
220/740, 903; 224/148.6, 250  
See application file for complete search history.

(56) **References Cited**

**U.S. PATENT DOCUMENTS**

- 1,208,728 A \* 12/1916 Bartlett et al. .... 224/148.6
- D59,662 S \* 11/1921 Lauzon ..... D3/229
- 2,464,069 A \* 3/1949 Benson ..... 206/466
- D190,919 S \* 7/1961 Kolarik ..... D3/221
- D216,425 S \* 1/1970 Foster ..... D22/107
- D227,043 S \* 5/1973 Van Den Berg ..... D3/229
- 3,820,695 A \* 6/1974 Pecjak ..... 224/148.6
- D281,830 S \* 12/1985 Hengesbach ..... D3/229
- D314,888 S \* 2/1991 Mano et al. .... D7/608
- 5,005,717 A \* 4/1991 Oilar ..... 215/13.1
- D321,032 S \* 10/1991 Marthaler et al. .... D3/257
- D331,629 S \* 12/1992 Stewart ..... D24/199
- D333,071 S \* 2/1993 Lim ..... D7/620
- D335,957 S \* 6/1993 Cantrell et al. .... D3/303
- D340,583 S \* 10/1993 Kahn ..... D3/202
- D347,365 S \* 5/1994 McKay ..... D3/202
- D347,522 S \* 6/1994 Beltran ..... D3/229

- D349,190 S \* 8/1994 Wasserman ..... D3/229
- D350,024 S \* 8/1994 Ryker ..... D3/202
- 5,407,110 A \* 4/1995 Marsh, Jr. .... 224/148.6
- D373,678 S \* 9/1996 Haigis ..... D3/229
- D378,022 S \* 2/1997 Chen ..... D3/229
- D379,119 S \* 5/1997 Wolfe et al. .... D3/229
- D393,364 S \* 4/1998 John ..... D3/221
- 5,772,090 A \* 6/1998 Rodriguez ..... 224/251
- 6,401,993 B1 \* 6/2002 Andrino ..... 224/148.5
- D474,887 S \* 5/2003 Forster ..... D3/229
- D517,314 S \* 3/2006 Moyer ..... D3/229
- D540,030 S \* 4/2007 Schnackenberg ..... D3/202
- D549,444 S \* 8/2007 Schnackenberg ..... D3/202
- D581,658 S \* 12/2008 Leslie ..... D3/229
- D585,637 S \* 2/2009 Schnackenberg ..... D3/202
- 2005/0173478 A1 \* 8/2005 Gill et al. .... 224/148.6
- 2006/0037982 A1 \* 2/2006 Lesser ..... 224/148.4

\* cited by examiner

*Primary Examiner*—Philip S Hyder  
*Assistant Examiner*—Roselyne Cody  
(74) *Attorney, Agent, or Firm*—Powley & Gibson, P.C.

(57) **CLAIM**

The ornamental design for a pouch, as shown and described.

**DESCRIPTION**

FIG. 1 is a perspective view of the pouch, showing a new design;

FIG. 2 is a front view thereof;

FIG. 3 is a back view thereof;

FIG. 4 is a right side view thereof;

FIG. 5 is a left side view thereof; and,

FIG. 6 is a top view thereof.

The broken lines in the figures illustrate portions of the design that form no part of the claim. The break indicates that the strap is of no particular length.

**1 Claim, 6 Drawing Sheets**

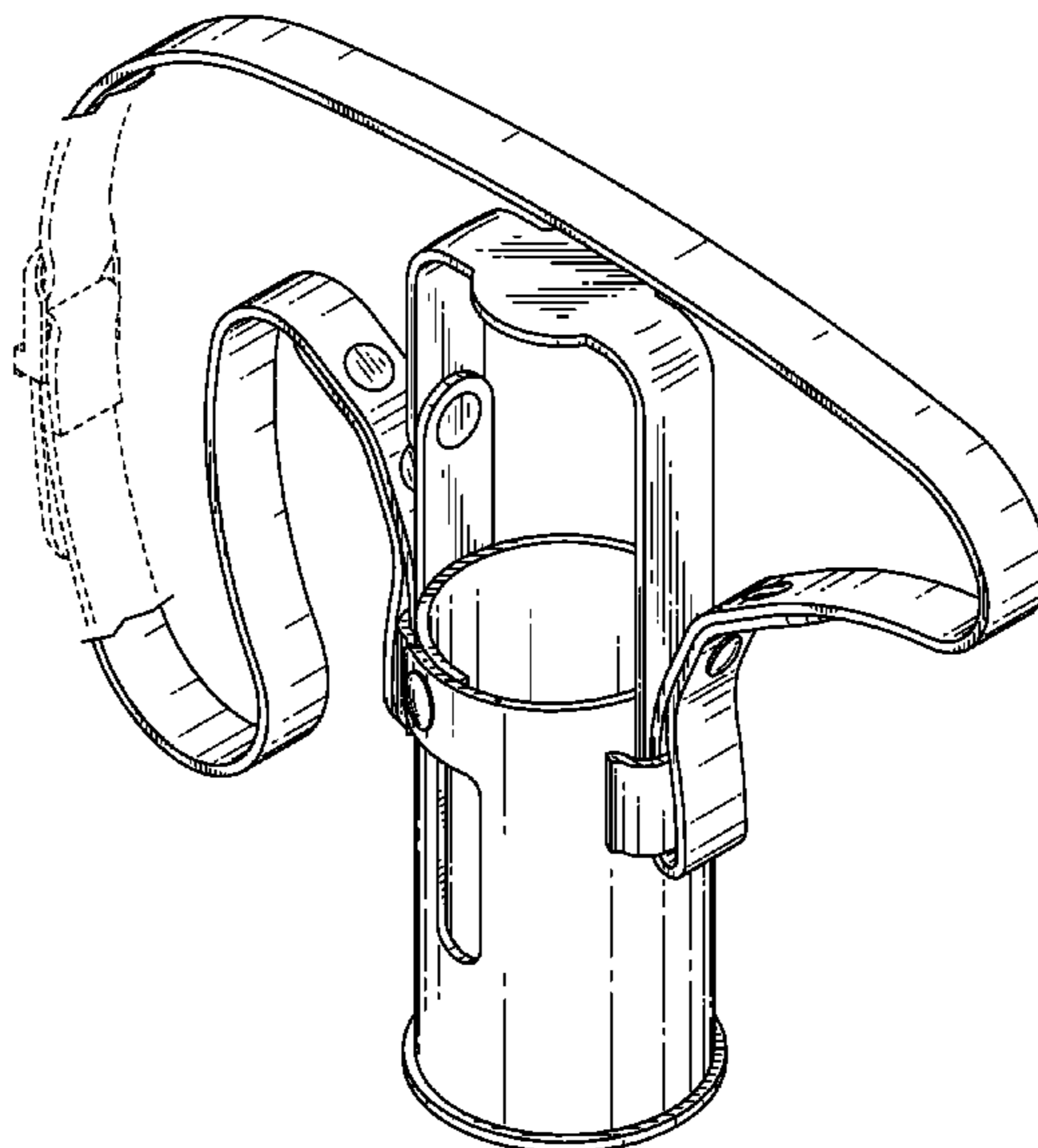
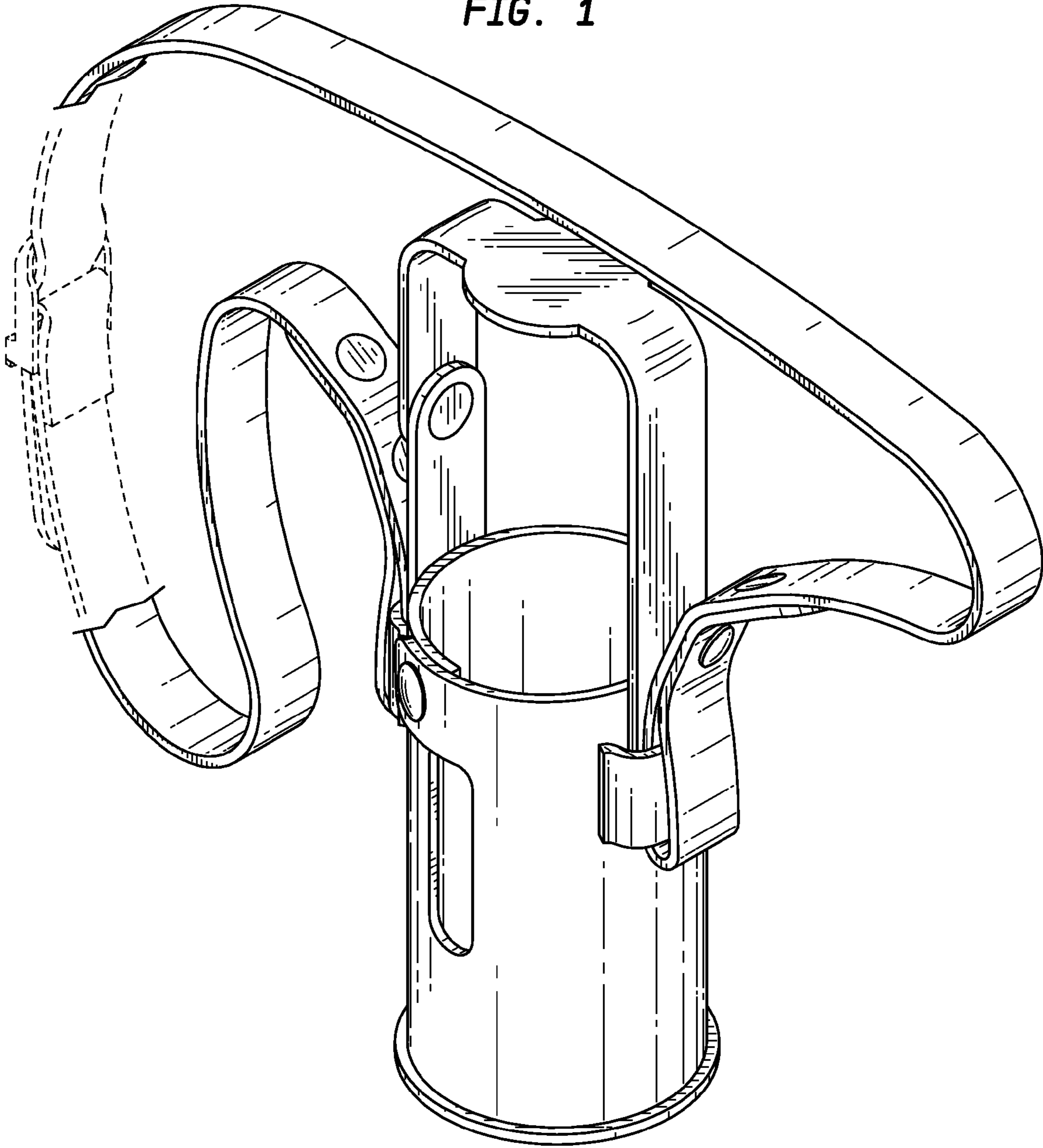


FIG. 1



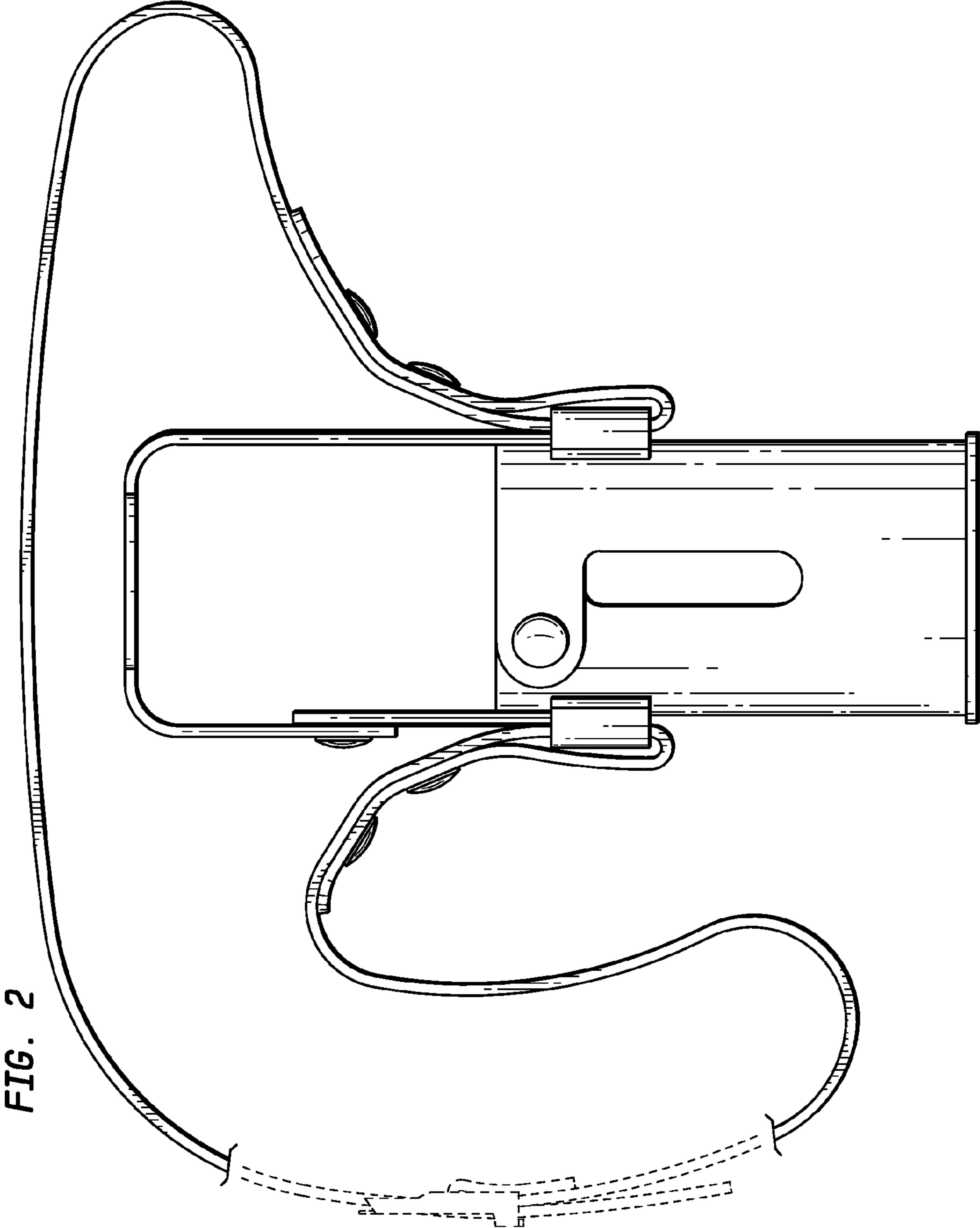
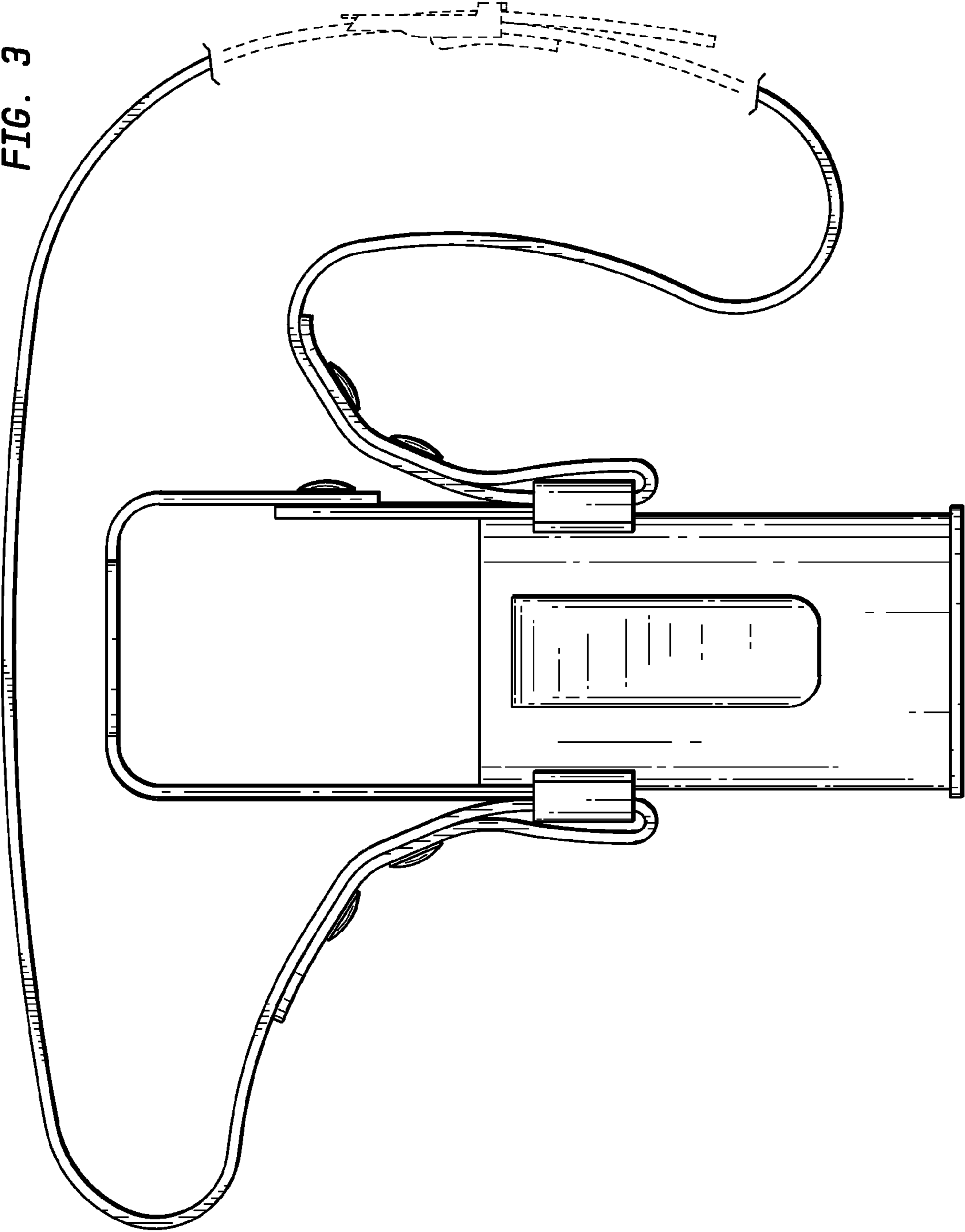
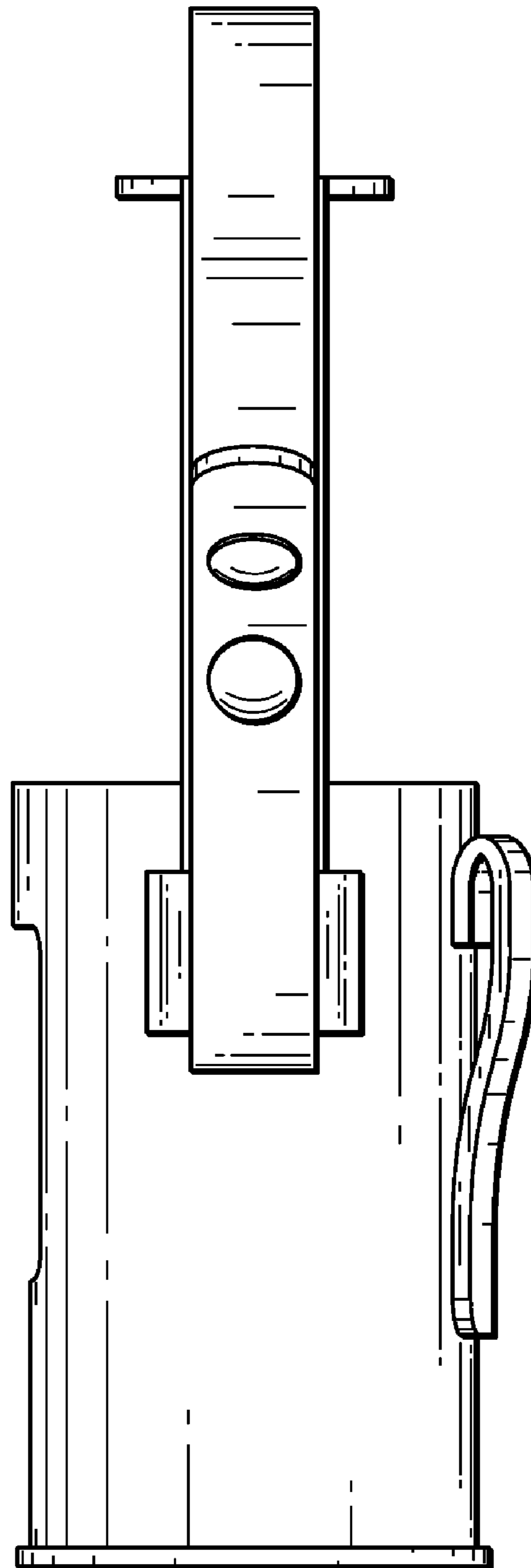


FIG. 2

FIG. 3



**FIG. 4**



**FIG. 5**

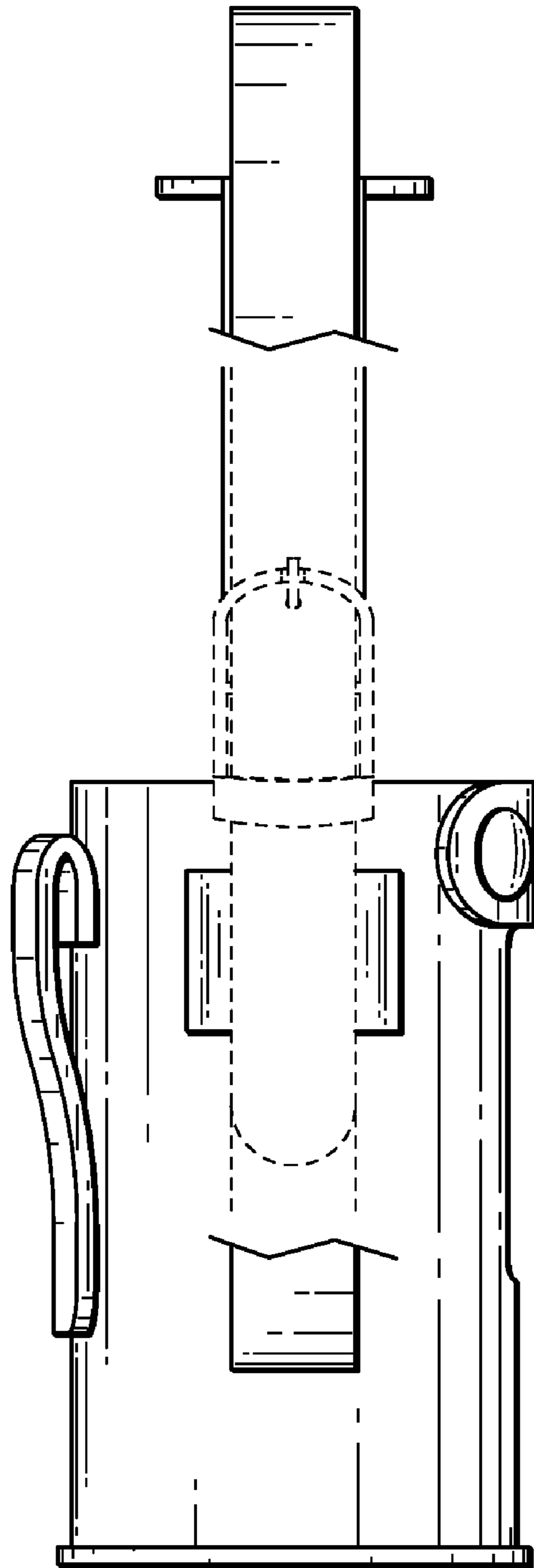


FIG. 6

