



US00D622940S

(12) **United States Design Patent**
Shen et al.

(10) **Patent No.:** **US D622,940 S**
(45) **Date of Patent:** **** Sep. 7, 2010**

(54) **POCKET FOR ELECTRONIC DEVICES**

(76) Inventors: **Yin Shen**, 829 Santa Clara Ave.,
Alameda, CA (US) 94501; **Edwin Li**, 2
Amazon Ave., #203, San Francisco, CA
(US) 94112

(**) Term: **14 Years**

(21) Appl. No.: **29/321,869**

(22) Filed: **Jul. 24, 2008**

(51) **LOC (9) Cl.** **02-02**

(52) **U.S. Cl.** **D2/857**

(58) **Field of Classification Search** D2/857,
D2/717, 840, 844, 841, 847, 853, 700, 716,
D2/720, 724, 725, 759, 769, 771, 786, 791,
D2/812, 820, 828–289, 836, 839, 846; 2/115,
2/247, 250, 249–251, 116, 102, 85, 93–95,
2/108, 252–253, 69, 79; 381/301, 388, 333–334
See application file for complete search history.

(56) **References Cited**

U.S. PATENT DOCUMENTS

| | | | | |
|--------------|------|---------|----------------|---------|
| 4,539,700 | A * | 9/1985 | Sato | 381/333 |
| 4,589,134 | A * | 5/1986 | Waldron | 381/301 |
| 5,481,758 | A * | 1/1996 | Gabler | 2/115 |
| 5,943,698 | A * | 8/1999 | Blanks | 2/69 |
| 6,097,822 | A * | 8/2000 | Min | 381/301 |
| 6,311,335 | B1 * | 11/2001 | Uchida | 2/247 |
| 6,763,527 | B1 * | 7/2004 | Rivoli et al. | 2/250 |
| 6,783,839 | B1 * | 8/2004 | Alpini | 2/102 |
| 6,818,816 | B2 * | 11/2004 | Roberts et al. | 2/102 |
| 7,364,491 | B2 * | 4/2008 | Updyke | 2/247 |
| 2005/0246823 | A1 * | 11/2005 | Groom | 2/247 |
| 2006/0075537 | A1 * | 4/2006 | Tsai | 2/69 |
| 2007/0245444 | A1 * | 10/2007 | Brink | 2/69 |
| 2009/0094725 | A1 * | 4/2009 | Smith et al. | 2/69 |
| 2009/0161899 | A1 * | 6/2009 | Chiang et al. | 381/333 |
| 2009/0289046 | A1 * | 11/2009 | Richmond | 2/247 |
| 2009/0320183 | A1 * | 12/2009 | Riney | 2/250 |

OTHER PUBLICATIONS

Pocket Tools Catalog (2008) published on the Internet reference
[http://www.urbantool.com.au/downloads/
product_sheets_web_08.pdf](http://www.urbantool.com.au/downloads/product_sheets_web_08.pdf).

* cited by examiner

Primary Examiner—Ian Simmons

Assistant Examiner—Wan Laymon

(74) *Attorney, Agent, or Firm*—William Keyworth; Bill &
Mary Lou Inc.

(57) **CLAIM**

The ornamental design for an pocket for electronic devices, as
shown and described.

DESCRIPTION

FIG. 1 is a front view of a multi-media electronic device
pocket. The broken lines adjacent to the screen opening rep-
resent the stitching of the invention.

FIG. 2 is a back view thereof. The broken lines parallel to the
invention boundry represents the stitching of the invention.

FIG. 3 is a top view thereof.

FIG. 4 is a bottom view thereof.

FIG. 5 is a left side view thereof.

FIG. 6 is a right side view thereof.

FIG. 7 is a front view of the second embodiment of a multi-
media electronic device pocket. The broken lines adjacent to
the screen opening represent the stitching of the invention.

FIG. 8 is a back view thereof. The broken lines parallel to the
invention boundry represents the stitching of the invention.

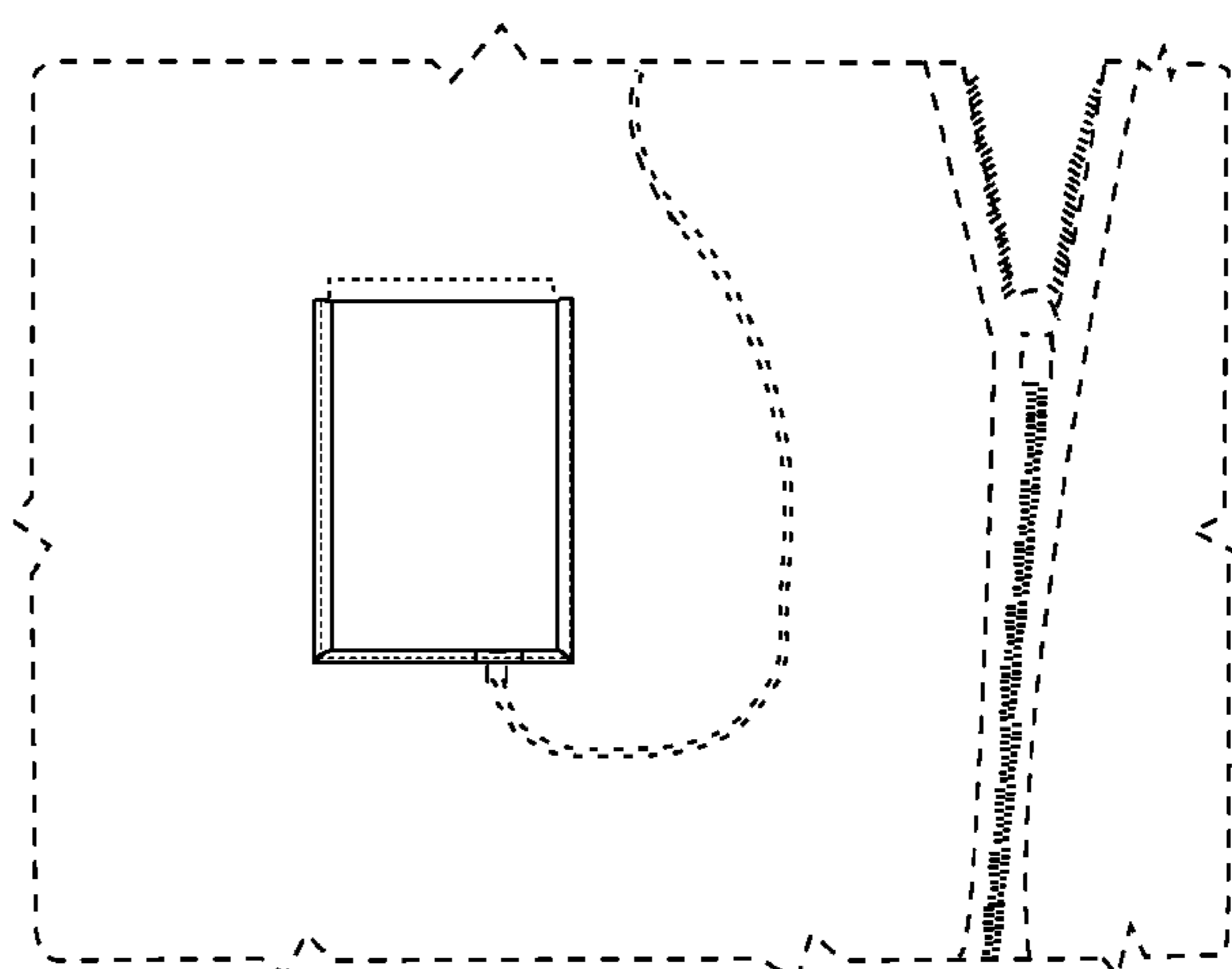
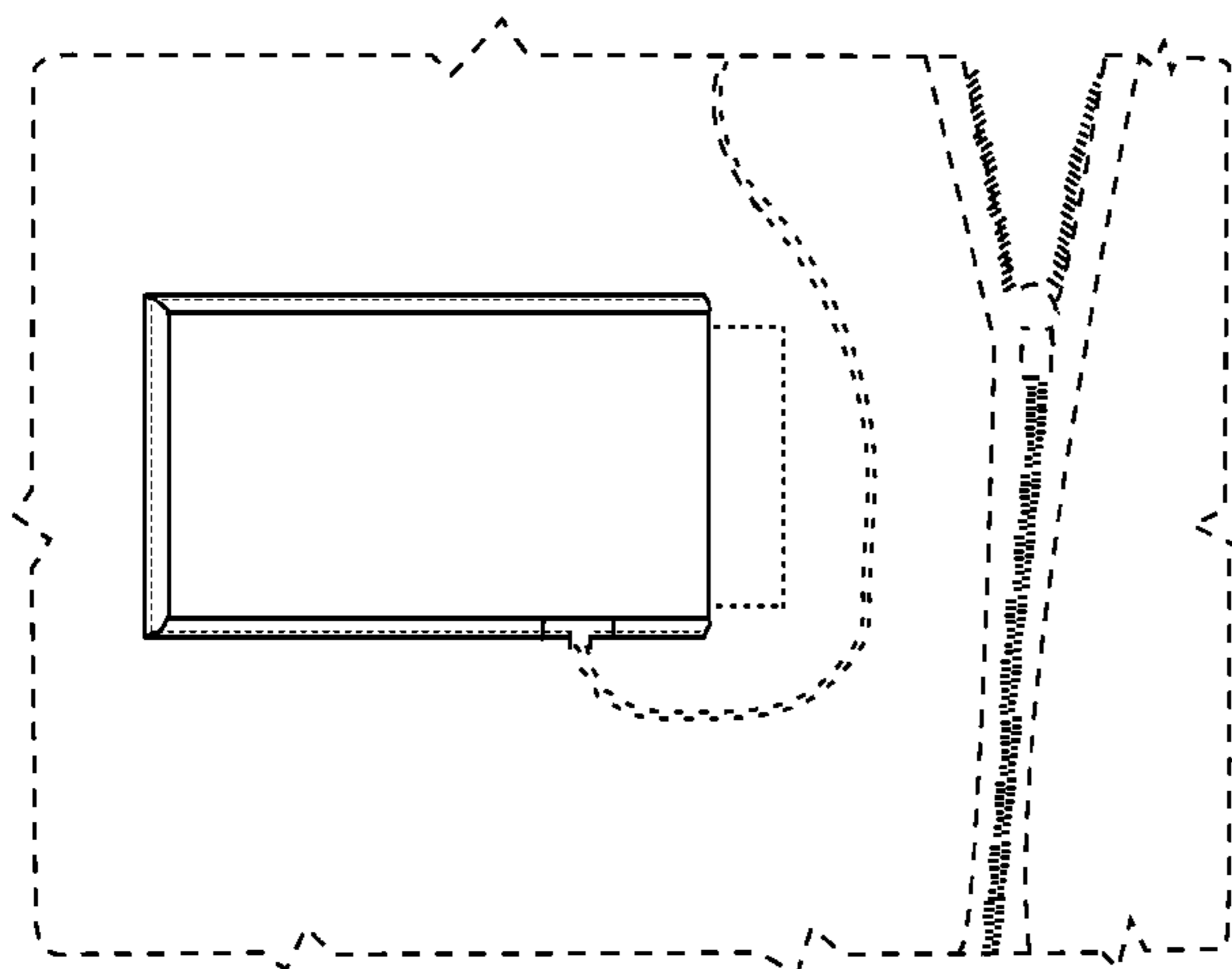
FIG. 9 is a top view thereof.

FIG. 10 is a bottom view thereof; and,

FIG. 11 is a left side view thereof, the opposite side view
being a mirror image.

The broken lines showing on the drawing disclosure, other
than those identified previous, is for illustrative purposes only
and forms no part of the claimed design.

1 Claim, 6 Drawing Sheets



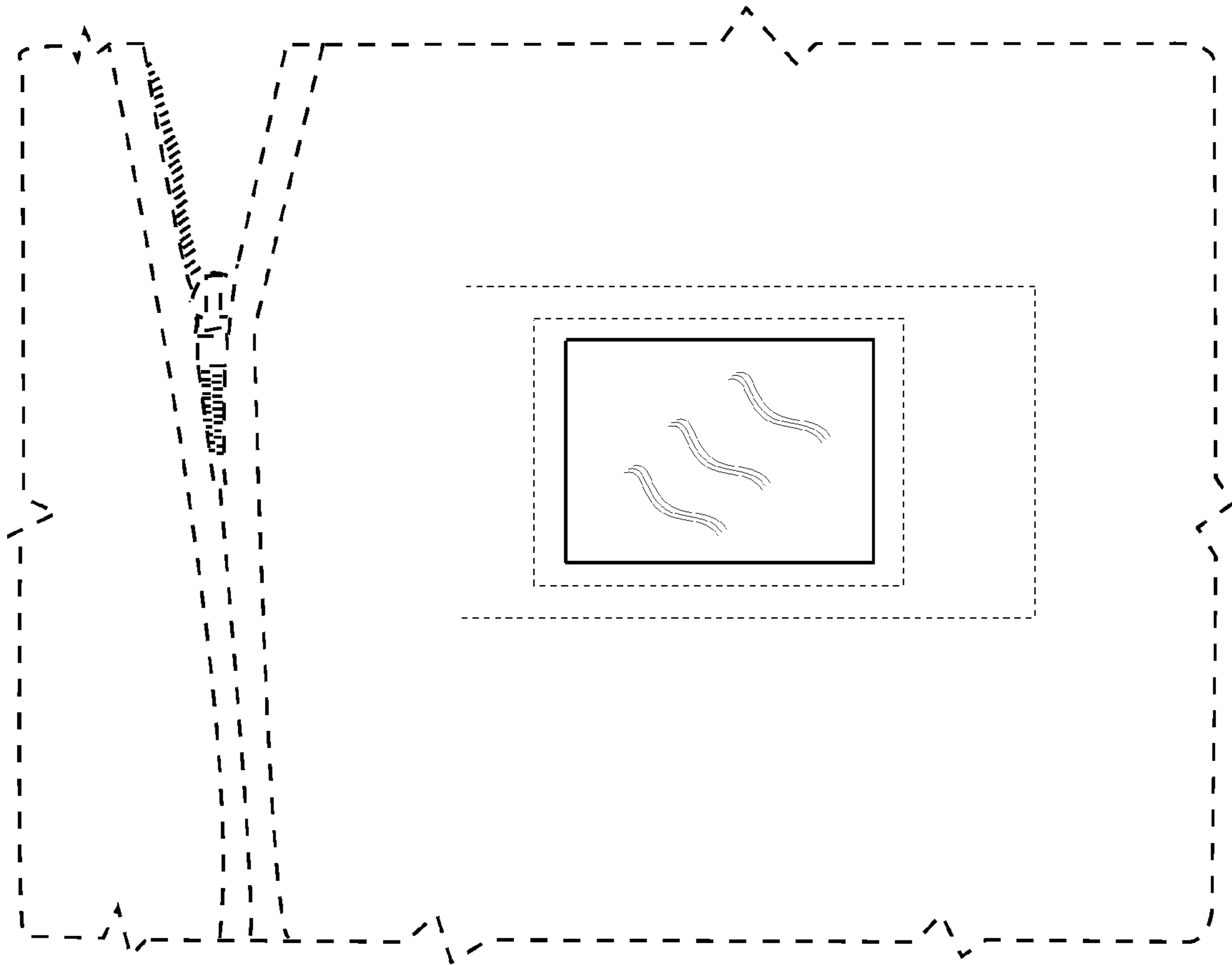


Fig. 1

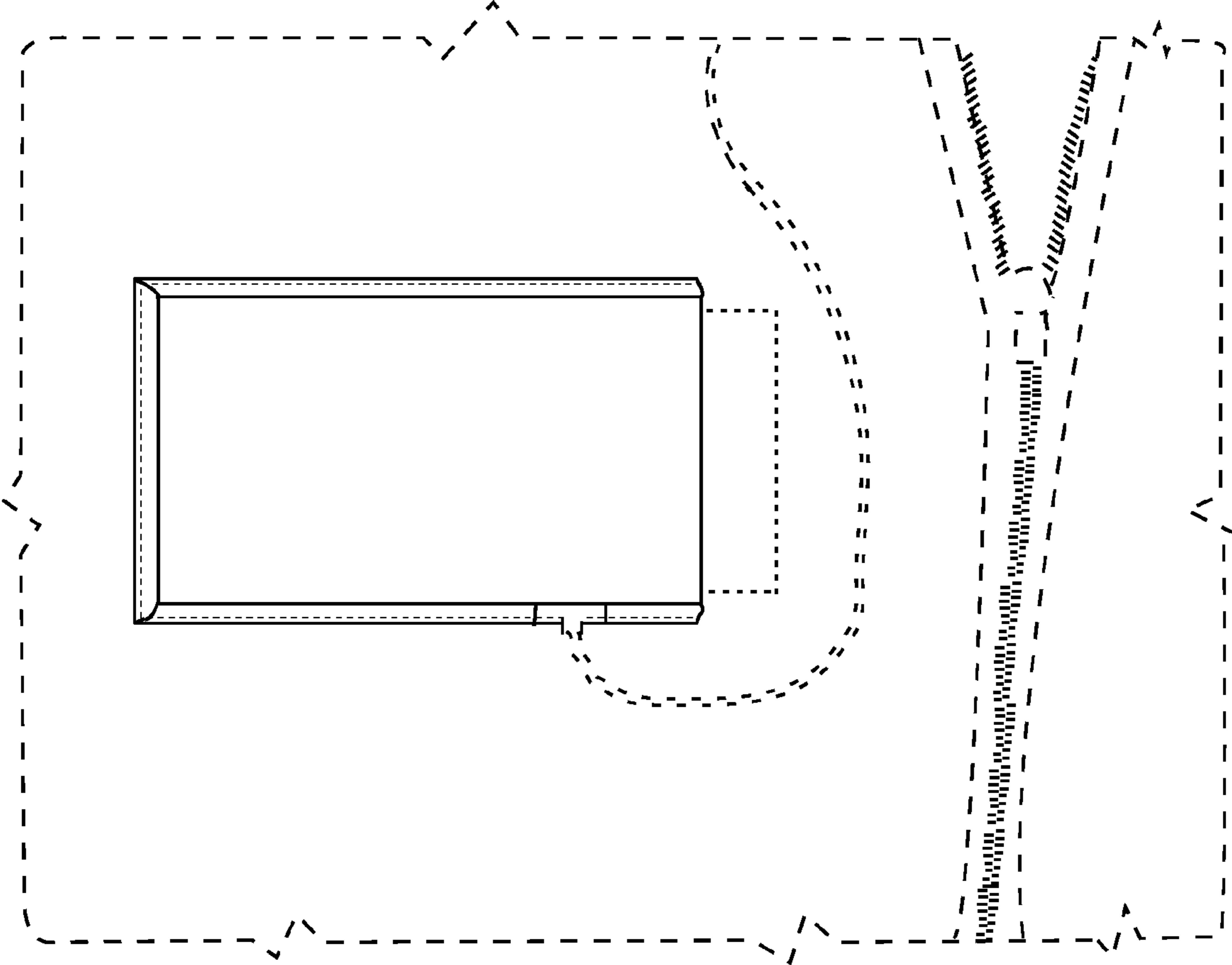


Fig. 2

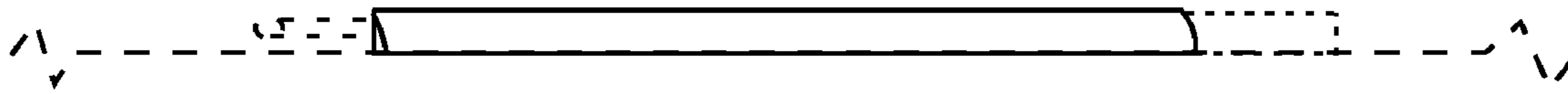


Fig. 3

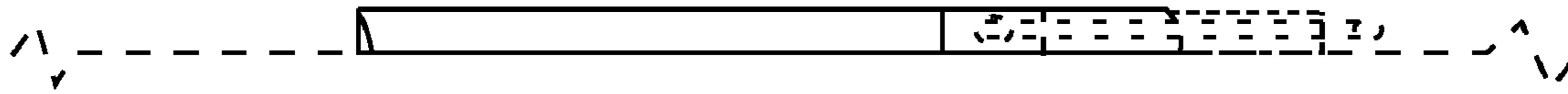


Fig. 4



Fig. 5

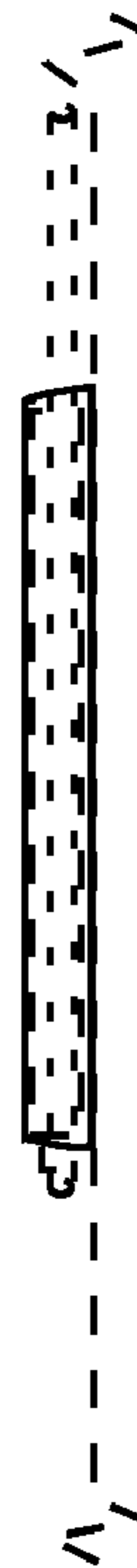


Fig. 6

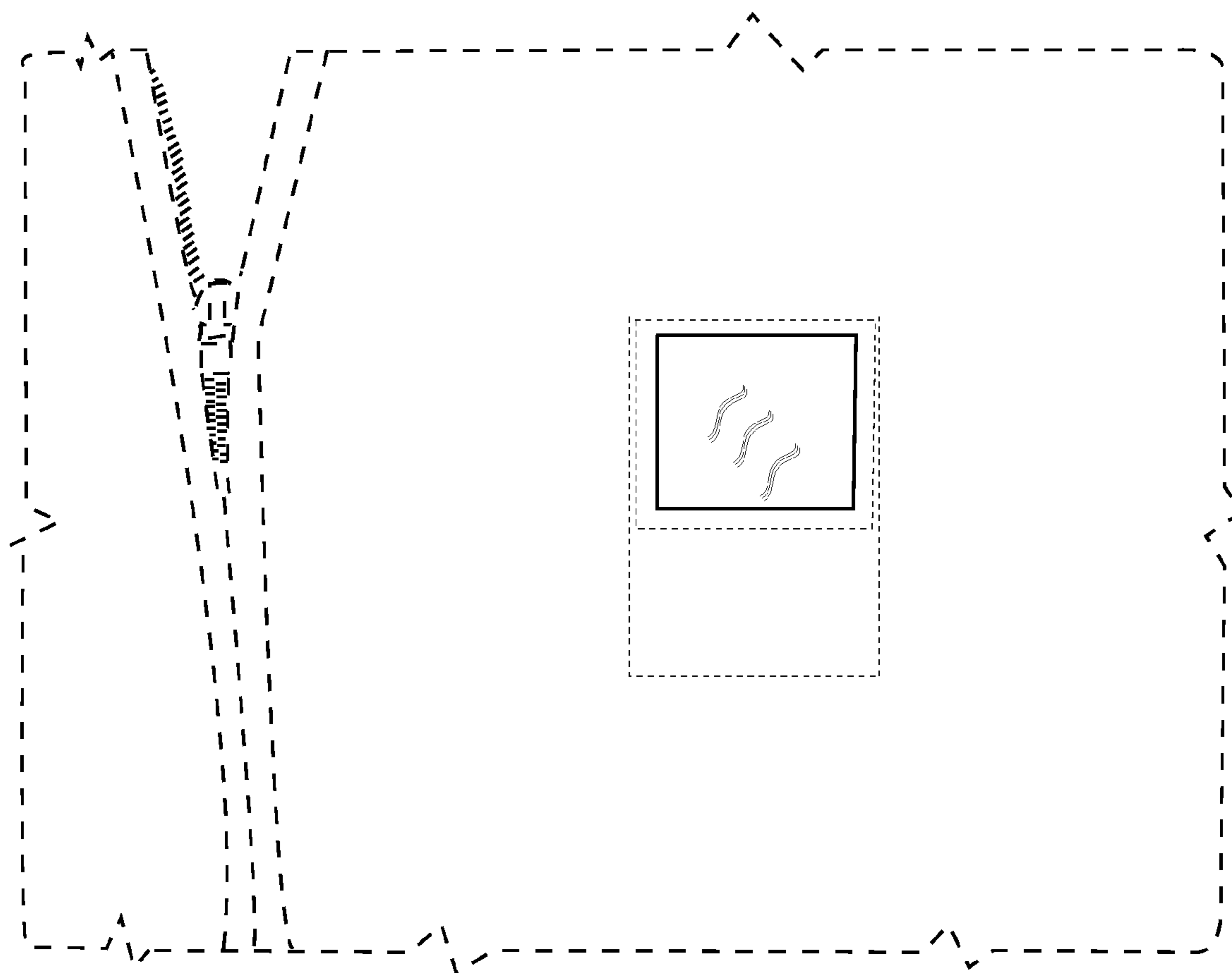


Fig. 7

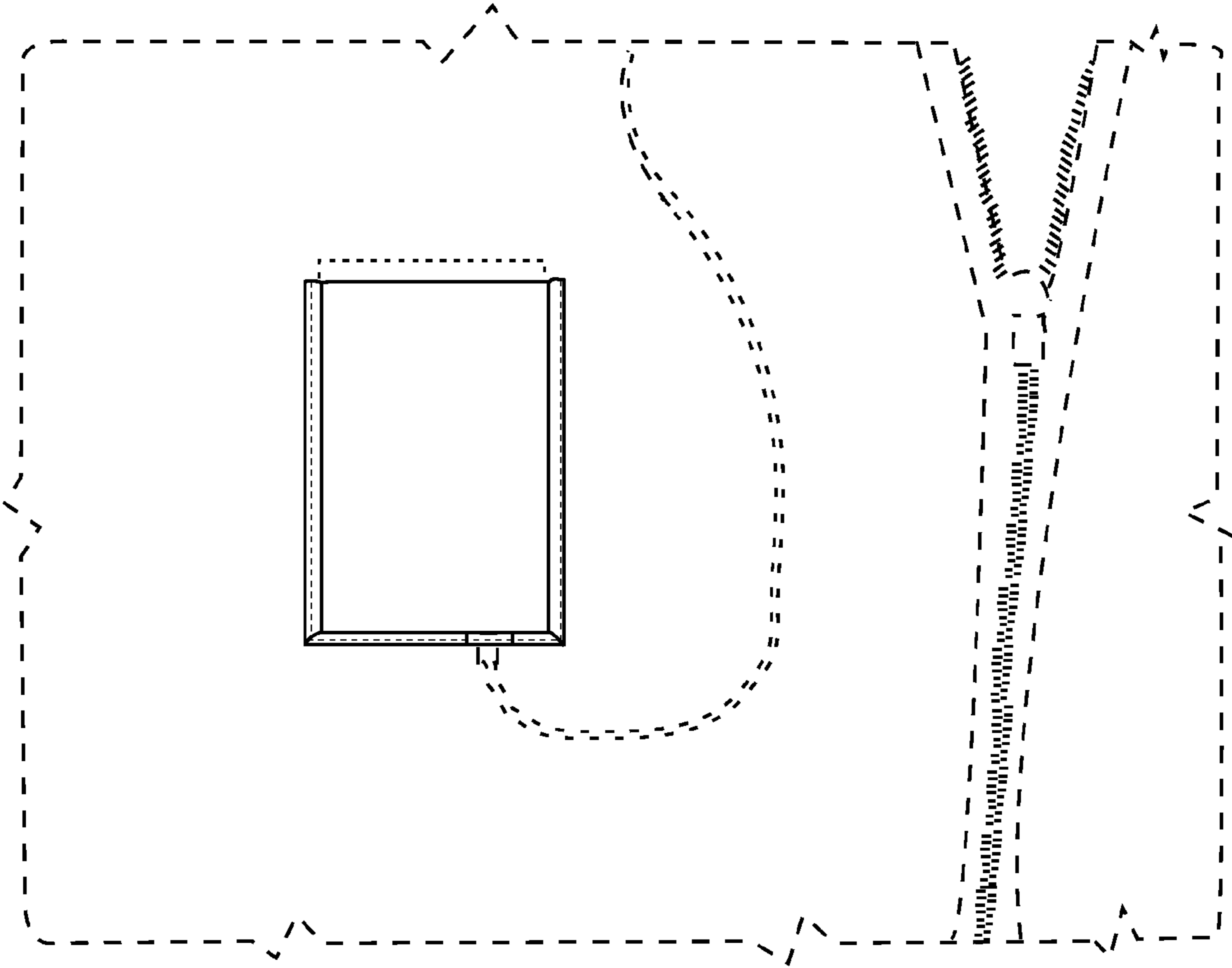


Fig. 8

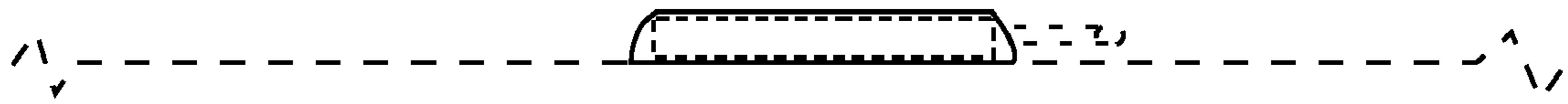


Fig. 9

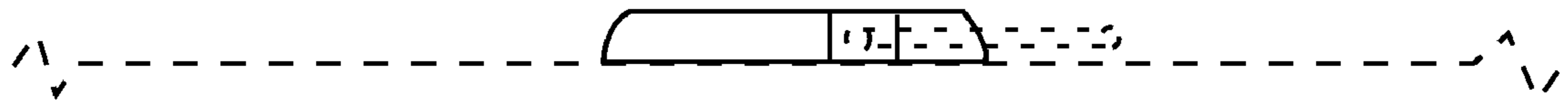


Fig. 10



Fig. 11