



US00D622934S

(12) **United States Design Patent**
Graneto, III

(10) **Patent No.:** **US D622,934 S**
(45) **Date of Patent:** **** Sep. 7, 2010**

- (54) **MEDICAL GOWN**
- (75) Inventor: **Joseph A. Graneto, III**, Wildwood, MO (US)
- (73) Assignee: **Salus Corporation**, St. Louis, MO (US)
- (**) Term: **14 Years**
- (21) Appl. No.: **29/342,887**
- (22) Filed: **Sep. 2, 2009**

4,829,602 A 5/1989 Harreld et al.
5,036,547 A 8/1991 Silas

(Continued)

Primary Examiner—Ian Simmons
Assistant Examiner—Wan Laymon
(74) *Attorney, Agent, or Firm*—Armstrong Teasdale LLP

- (51) **LOC (9) Cl.** **02-01**
- (52) **U.S. Cl.** **D2/720**
- (58) **Field of Classification Search** D2/717,
D2/720, 739, 840–841, 844, 700, 704, 714,
D2/728, 738, 724, 756, 858, 860; 2/106,
2/113, 115, 116, 125, 69, 104, 114
See application file for complete search history.

(57) **CLAIM**

I claim the ornamental design for a medical gown, as shown and described.

DESCRIPTION

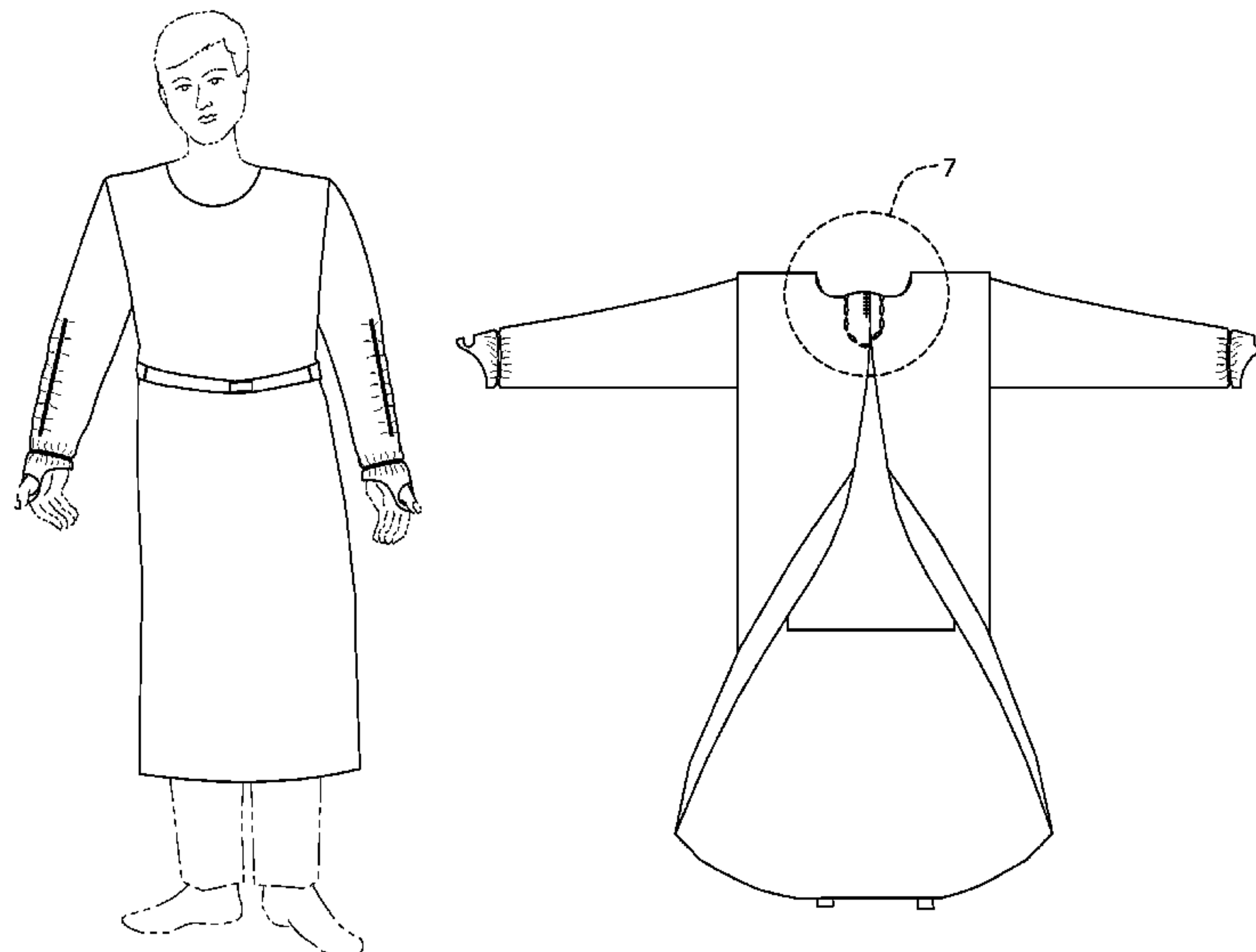
FIG. 1 is a front view of medical gown as worn by a user.
 FIG. 2 is a rear view of the medical gown shown in FIG. 1 as worn by a user.
 FIG. 3 is front view of a medical gown.
 FIG. 4 is a rear view of the medical gown shown in FIG. 3.
 FIG. 5 is a rear view of the medical gown that illustrates both attachment of the rear members near a neck area of the gown and separation of the rear members at the lower area of the gown.
 FIG. 6 is a material cut out view of one of the sleeves of the medical gown shown in FIGS. 1-5; and,
 FIG. 7 is a detailed view of the neck area of the medical gown shown in FIG. 5 illustrating an attachment between the back members and a series of perforations through a material of the gown.
 The broken lines in FIGS. 1 and 2, represents a portion of the human form and under clothing and showing the gown in use, form no part of the claim.
 The curved ellipses shown in FIGS. 2, 4-5, and 7 are understood to represent perforations.
 The long dash line shown in FIG. 6 represents fold line.

(56) **References Cited**

U.S. PATENT DOCUMENTS

876,455 A *	1/1908	Hibbart	2/113
D53,089 S	3/1919	Selsor		
D59,555 S	11/1921	Ladd		
2,469,246 A	5/1949	Smicker		
3,736,597 A	6/1973	Artzt		
3,824,625 A	7/1974	Green		
D236,293 S	8/1975	Banks		
3,911,499 A	10/1975	Benevento et al.		
4,000,521 A	1/1977	Zoepfel et al.		
4,017,909 A	4/1977	Brandriff		
4,052,752 A	10/1977	Green		
4,075,716 A	2/1978	Collins		
4,408,357 A	10/1983	Toth		
4,504,977 A	3/1985	King et al.		
4,504,978 A	3/1985	Gregory, Jr. et al.		
4,507,978 A	4/1985	Tanaka et al.		
4,586,196 A	5/1986	White		
4,608,719 A	9/1986	Lunt		
4,819,275 A	4/1989	Lunt		

1 Claim, 7 Drawing Sheets



US D622,934 S

Page 2

U.S. PATENT DOCUMENTS									
5,088,117	A *	2/1992	Fulmer	2/114	6,378,136	B2	4/2002	Matsushita	
D356,204	S	3/1995	Derrickson		6,851,125	B2 *	2/2005	Fujikawa et al.	2/114
5,414,867	A	5/1995	Bowling et al.		D533,982	S	12/2006	Graneto, III	
5,444,873	A	8/1995	Levin		D598,638	S	8/2009	Graneto, III	
5,652,962	A *	8/1997	Patnode	2/114	2001/0032346	A1	10/2001	Matsushita et al.	
6,054,091	A	4/2000	Miller et al.		2010/0064408	A1 *	3/2010	Kemper	2/114
					2010/0064414	A1 *	3/2010	Kemper	2/114

* cited by examiner

FIG. 1

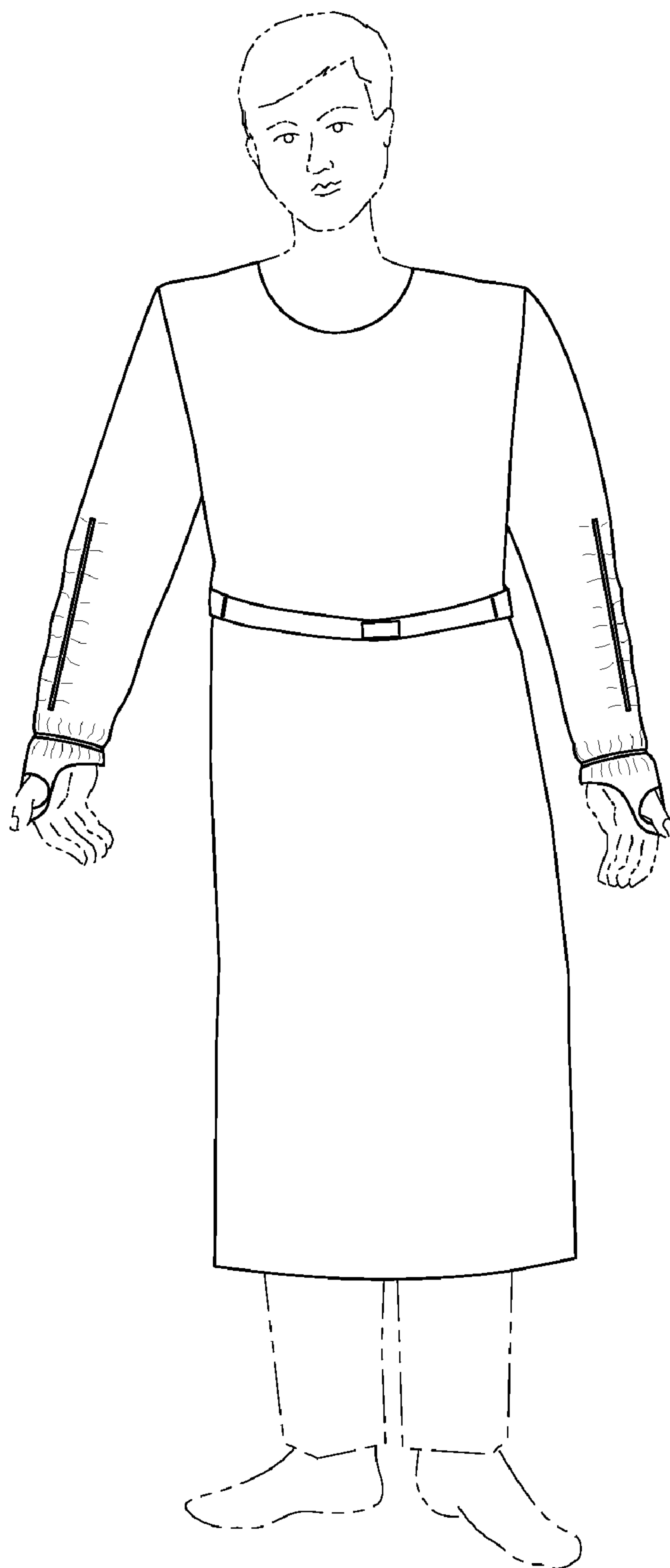


FIG. 2

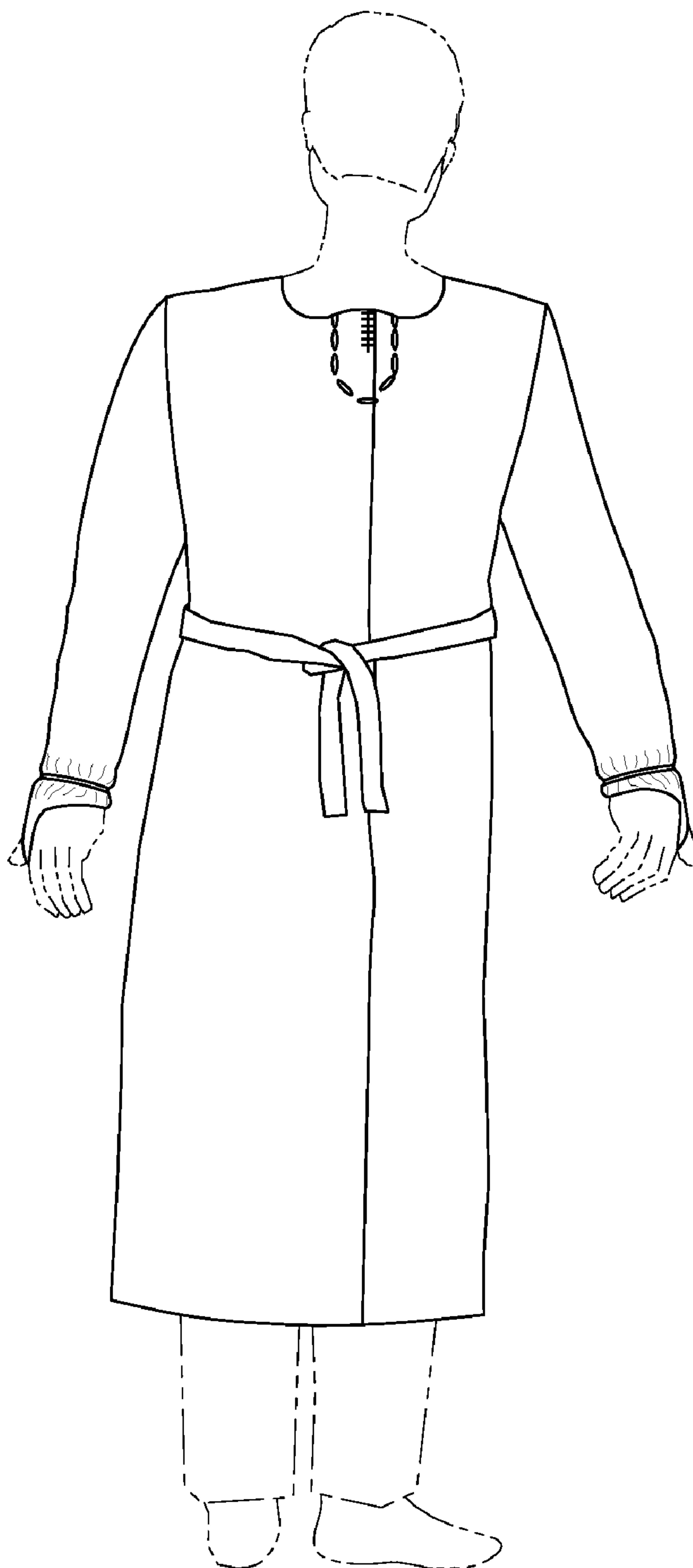


FIG. 3

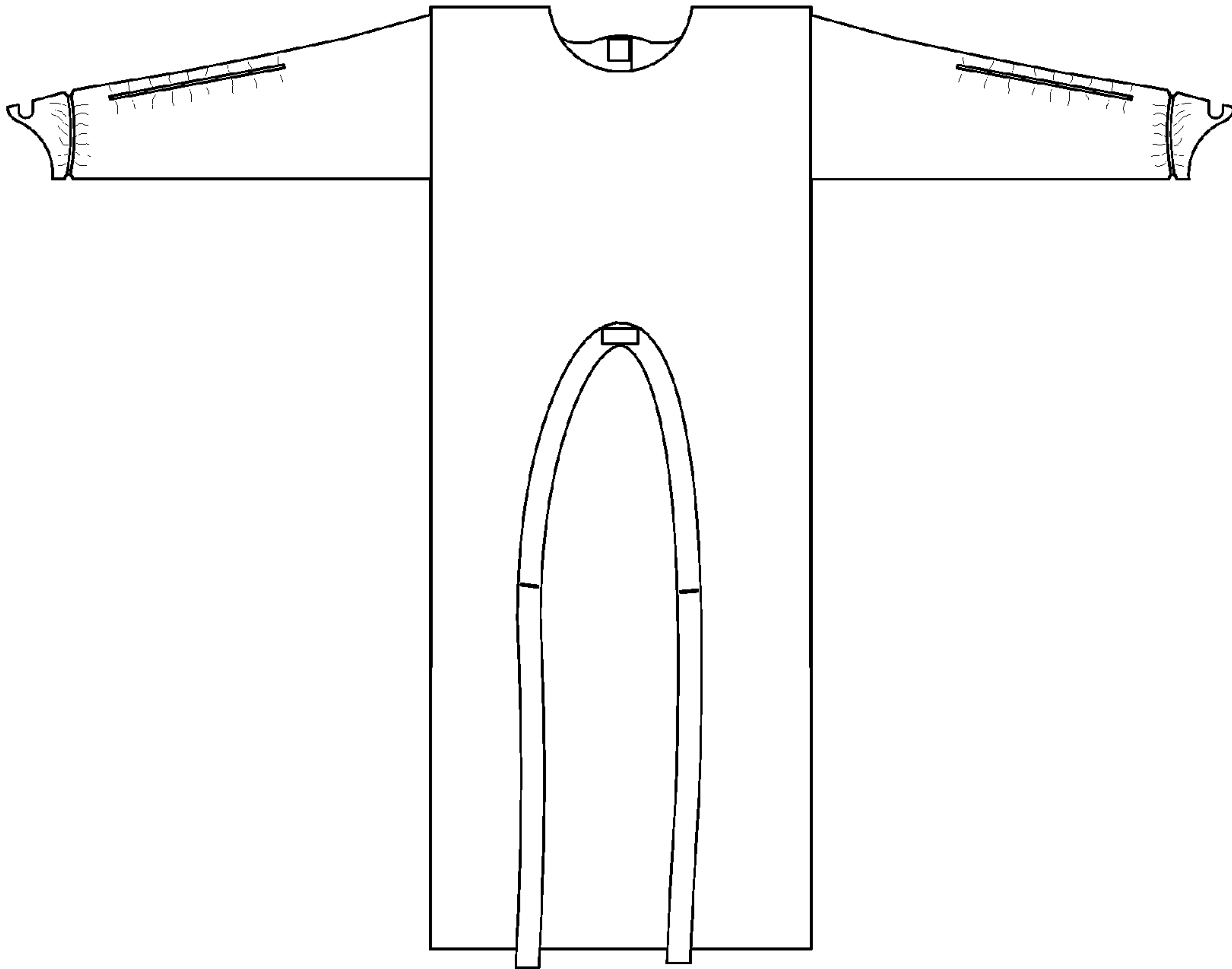


FIG. 4

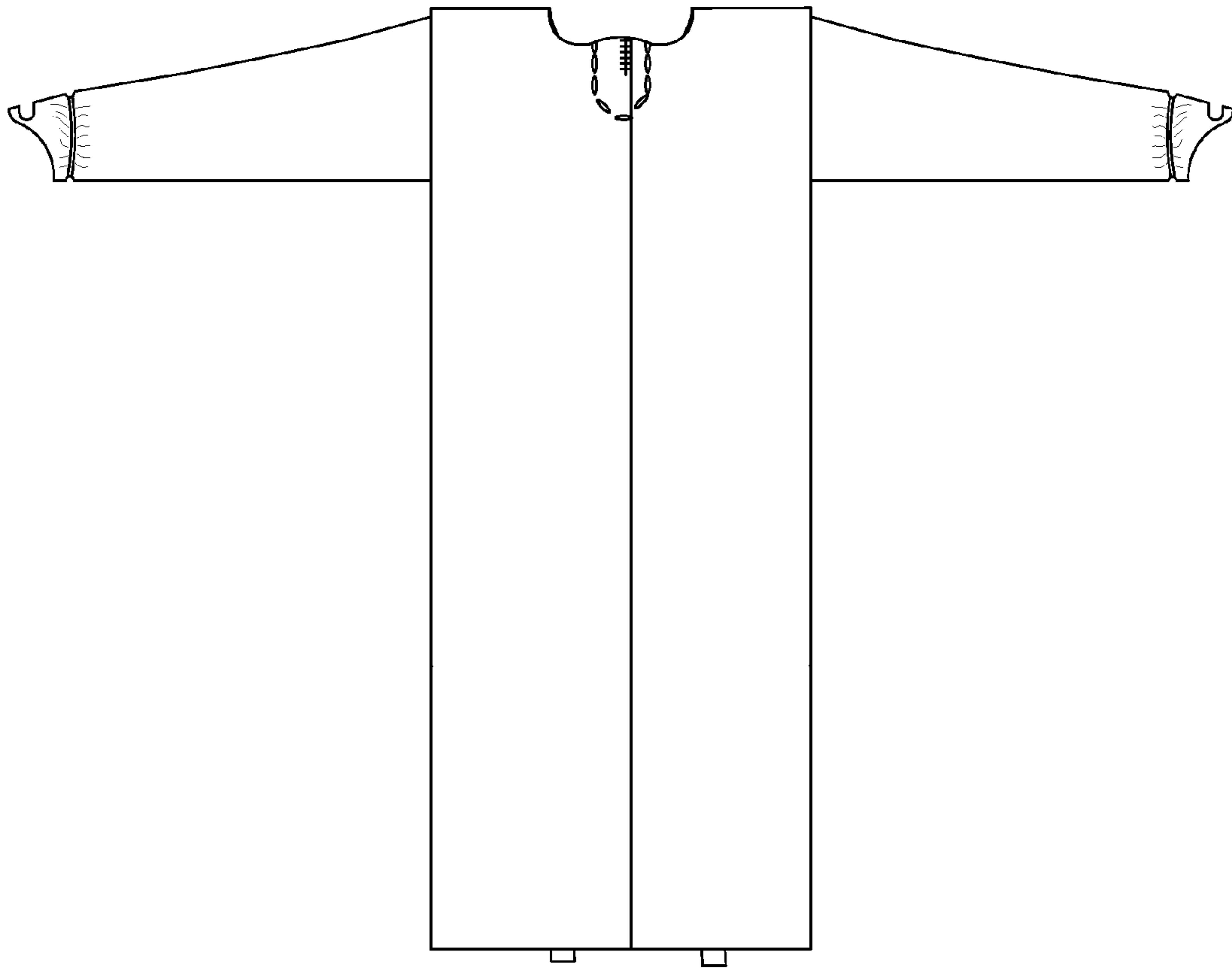


FIG. 5

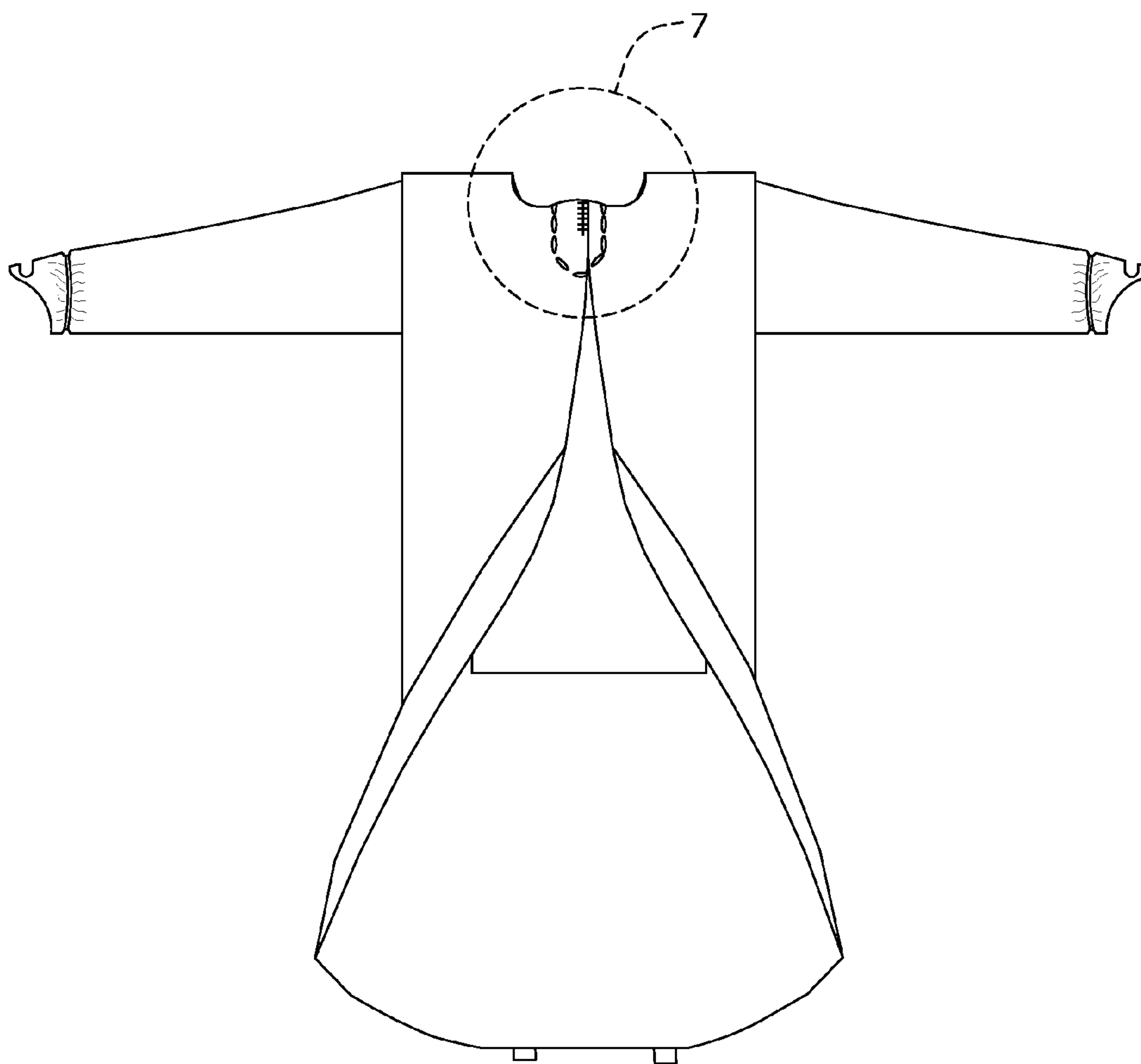


FIG. 6

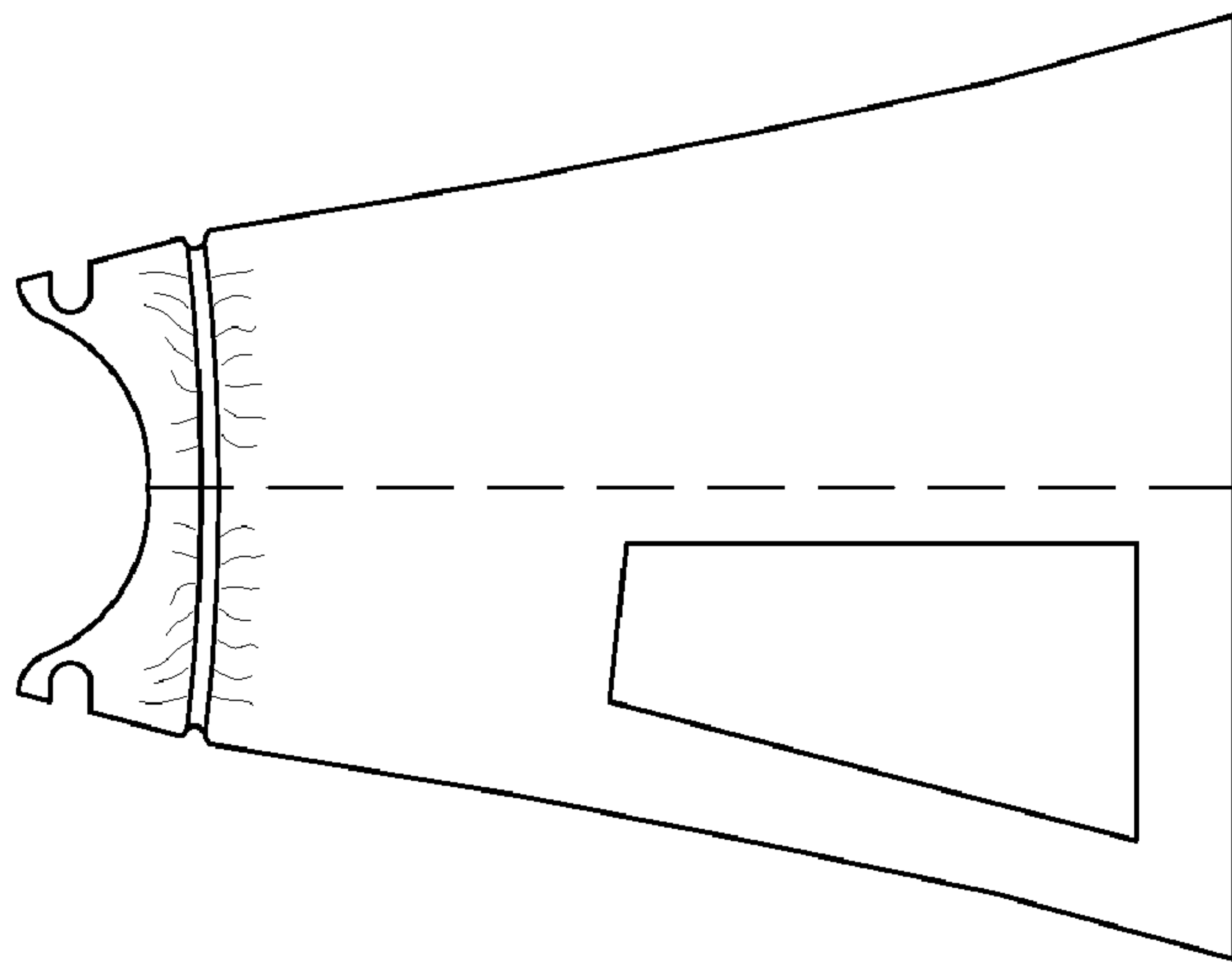


FIG. 7

