



US00D622928S

(12) **United States Design Patent**
Griebel

(10) **Patent No.:** **US D622,928 S**

(45) **Date of Patent:** **** Sep. 7, 2010**

(54) **SHAPED TORTILLA**

(75) Inventor: **Jonathan M. Griebel**, Maple Grove, MN (US)

(73) Assignee: **General Mills Marketing, Inc.**, Minneapolis, MN (US)

(**) Term: **14 Years**

(21) Appl. No.: **29/343,776**

(22) Filed: **Sep. 18, 2009**

(51) **LOC (9) Cl.** **01-01**

(52) **U.S. Cl.** **D1/122**

(58) **Field of Classification Search** D1/101-105, D1/116, 118, 120-130, 199; D7/504, 509, D7/510, 523, 524, 555, 566, 568, 584-587, D7/602, 672, 300.1; D21/386; D25/119, D25/121; D12/223, 162; D8/356; D19/91; D23/267; D24/101-104; 426/92, 94, 95, 426/99, 101, 138-139, 143, 514, 132, 279, 426/282-283, 391; 211/189

See application file for complete search history.

(56) **References Cited**

U.S. PATENT DOCUMENTS

D141,423 S *	5/1945	Lewis	D6/573
2,739,464 A *	3/1956	Smith	141/98
4,055,670 A	10/1977	Belmont		
D251,396 S	3/1979	Hutchinson		
D277,234 S *	1/1985	Bank	D1/122
D278,199 S	4/1985	Richards		
4,896,820 A	1/1990	Harrington		
5,002,783 A	3/1991	Ruiz		
D335,758 S	5/1993	Stickle		
D339,899 S	10/1993	Kittleson		

5,298,273 A	3/1994	Ito		
D369,451 S	5/1996	Gornet et al.		
D376,893 S	12/1996	Gornet		
D393,136 S	4/1998	Gornet		
5,993,871 A	11/1999	Beehler		
D444,816 S *	7/2001	Stravitz	D19/90
D485,307 S *	1/2004	Sheldon et al.	D19/90
D527,052 S *	8/2006	Wolff et al.	D19/91
D547,235 S *	7/2007	Stanton et al.	D11/156
2006/0147587 A1	7/2006	Kovich et al.		

* cited by examiner

Primary Examiner—Cathron C Brooks

Assistant Examiner—Barbara Fox

(74) *Attorney, Agent, or Firm*—John A. O’Toole; Lance T. Sanders

(57) **CLAIM**

I claim the ornamental design for shaped tortilla, as shown.

DESCRIPTION

FIG. 1 is a perspective view of a shaped tortilla, according to the present invention;

FIG. 2 is a top plan view of the shaped tortilla of FIG. 1;

FIG. 3 is a bottom plan view of the shaped tortilla of FIG. 1;

FIG. 4 is a right side view of the shaped tortilla of FIG. 1;

FIG. 5 is a left side view of the shaped tortilla of FIG. 1;

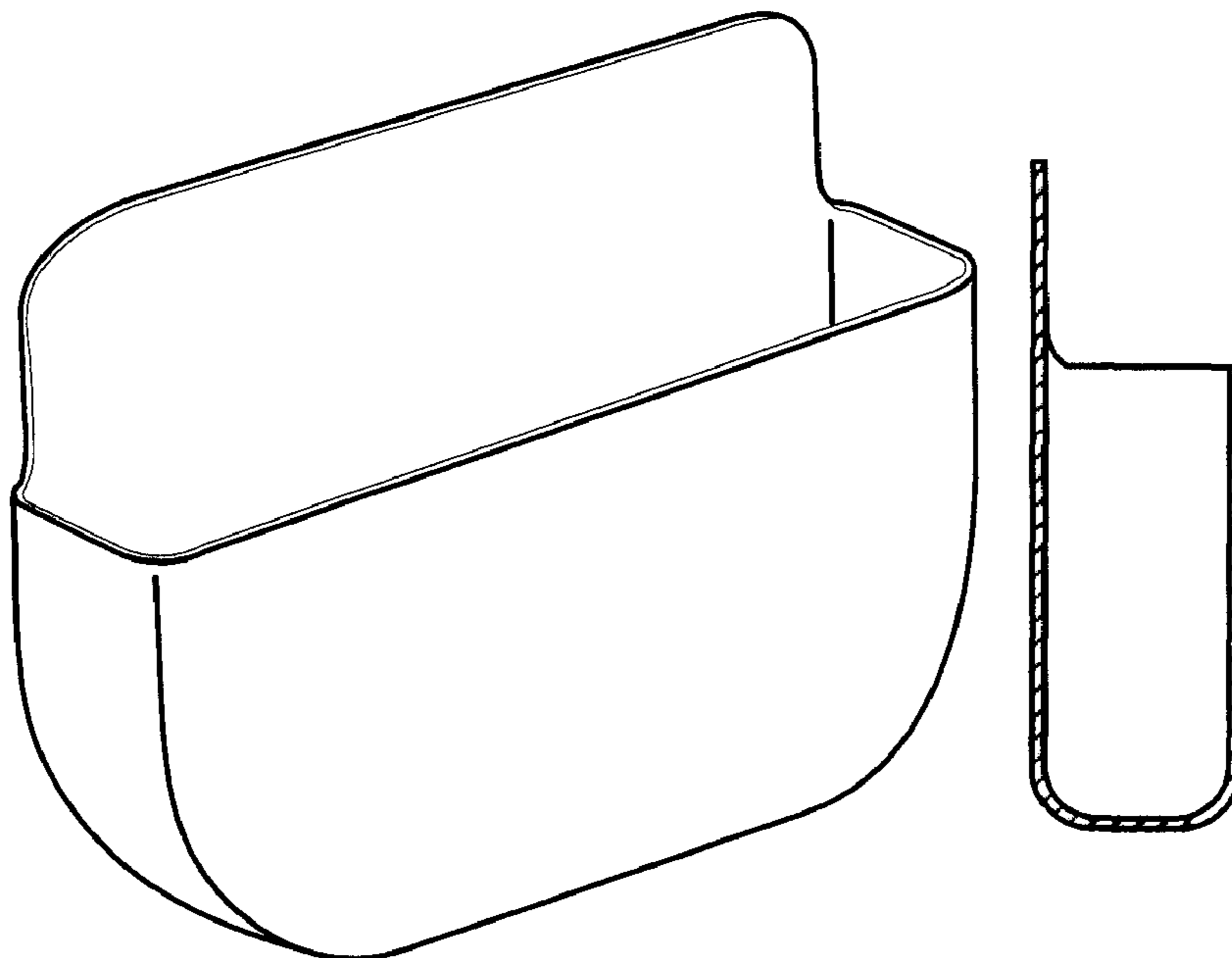
FIG. 6 is a front end view of the shaped tortilla of FIG. 1;

FIG. 7 is a rear end view of the shaped tortilla of FIG. 1;

FIG. 8 is a longitudinal section view of the shaped tortilla of FIG. 1; and,

FIG. 9 is a transverse section view of the shaped tortilla of FIG. 1.

1 Claim, 3 Drawing Sheets



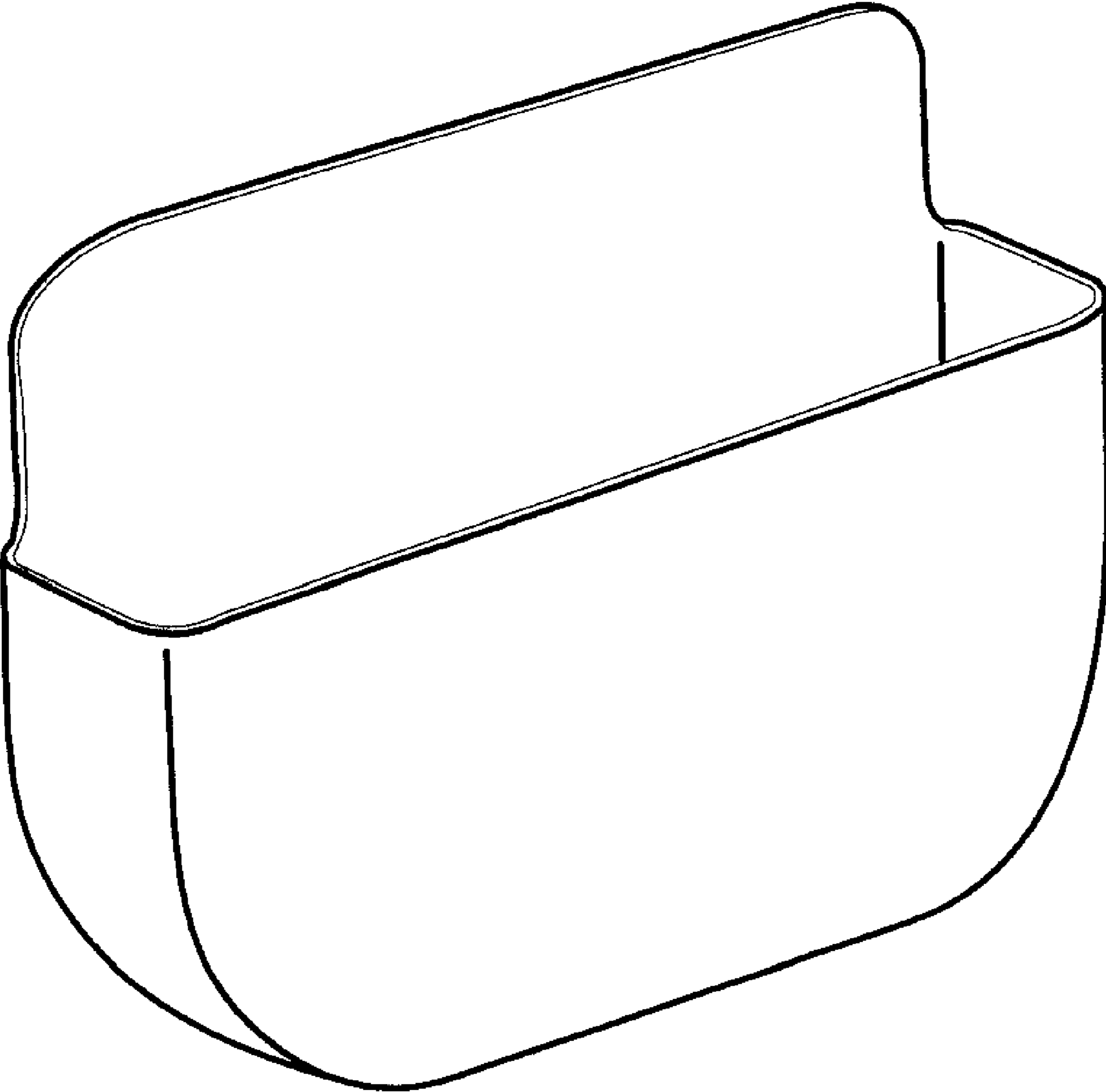


FIG. 1

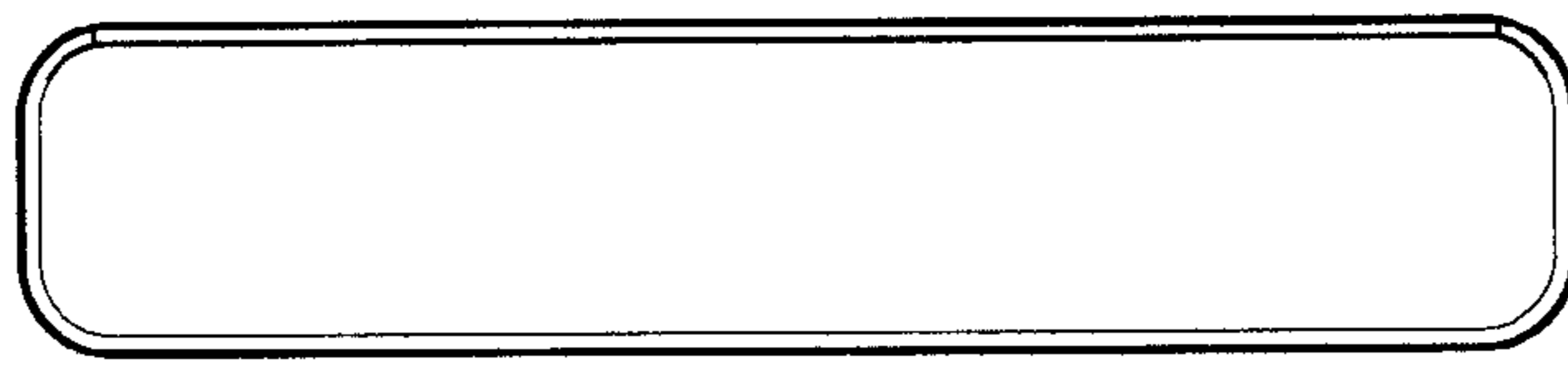


FIG. 2

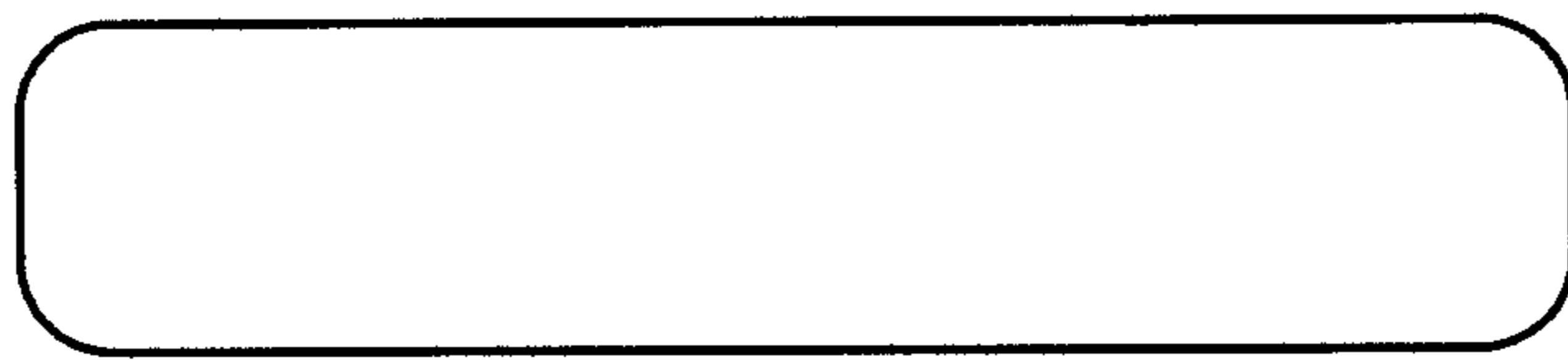


FIG. 3

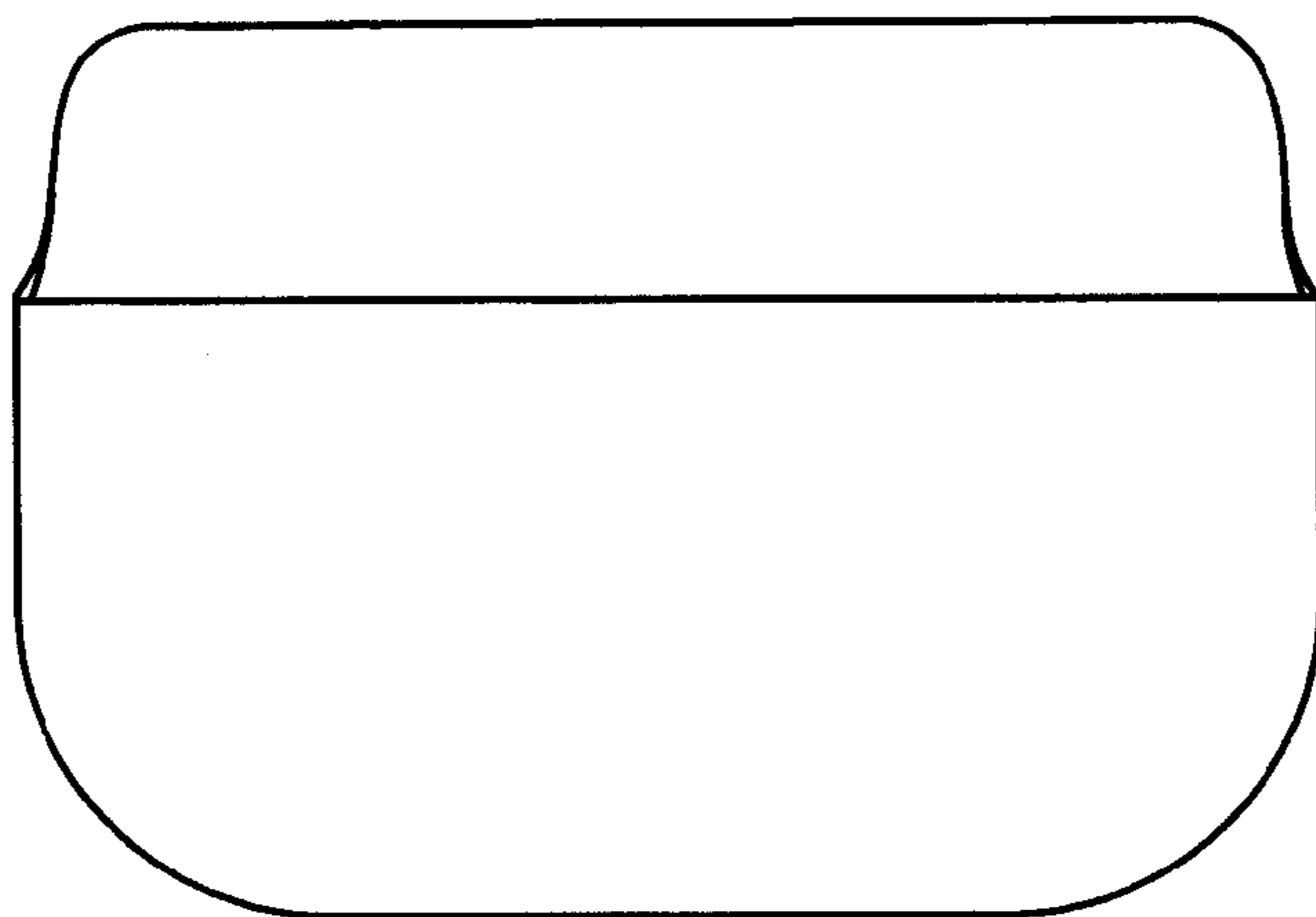


FIG. 6

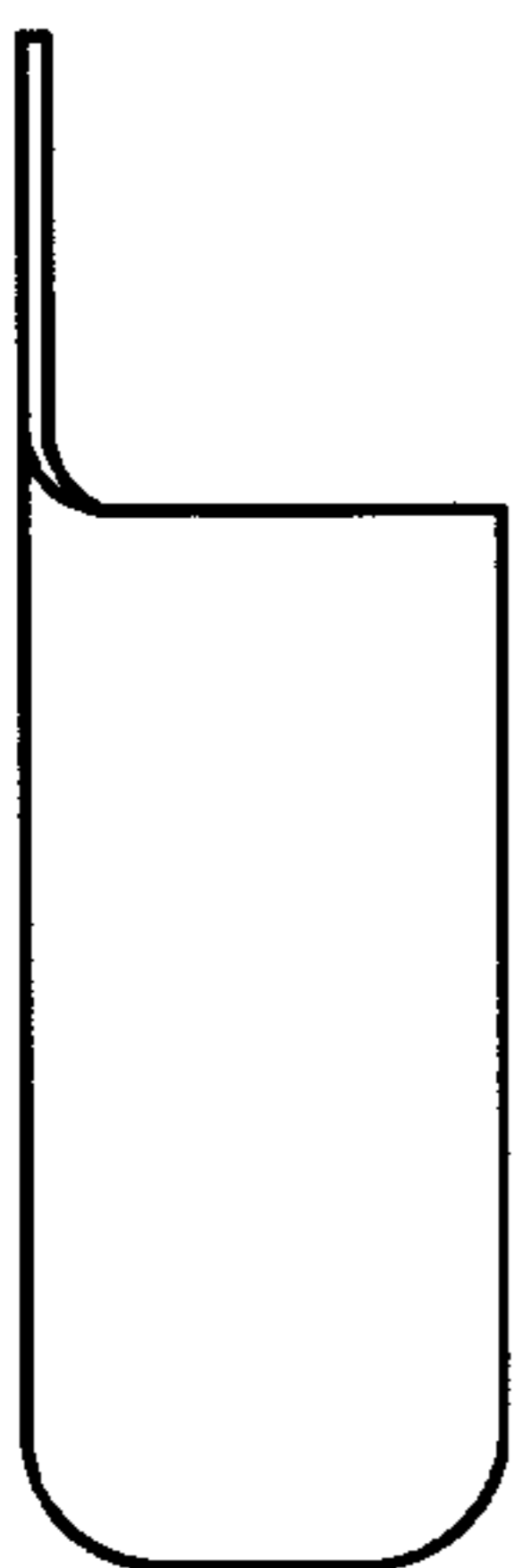


FIG. 5

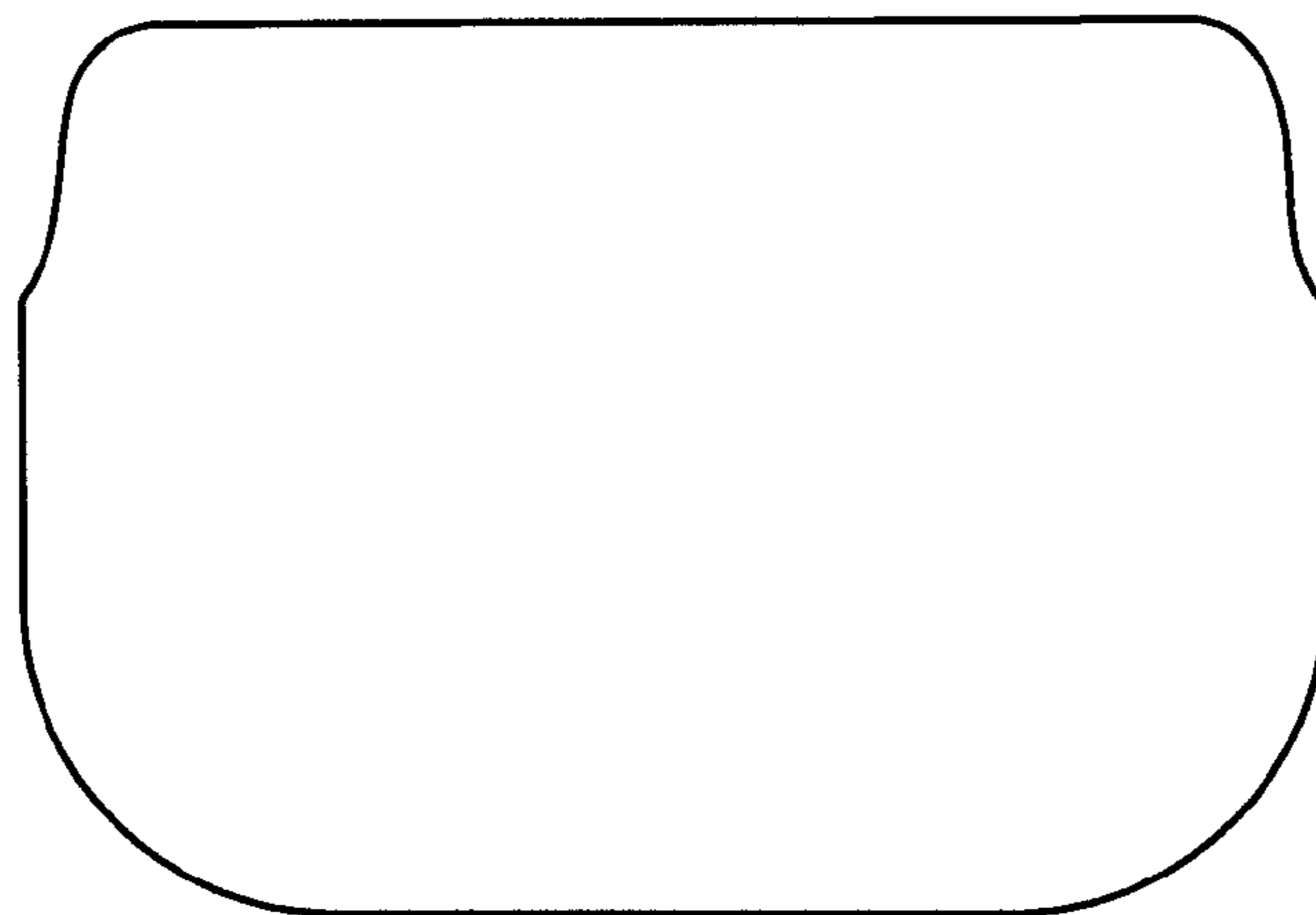


FIG. 7

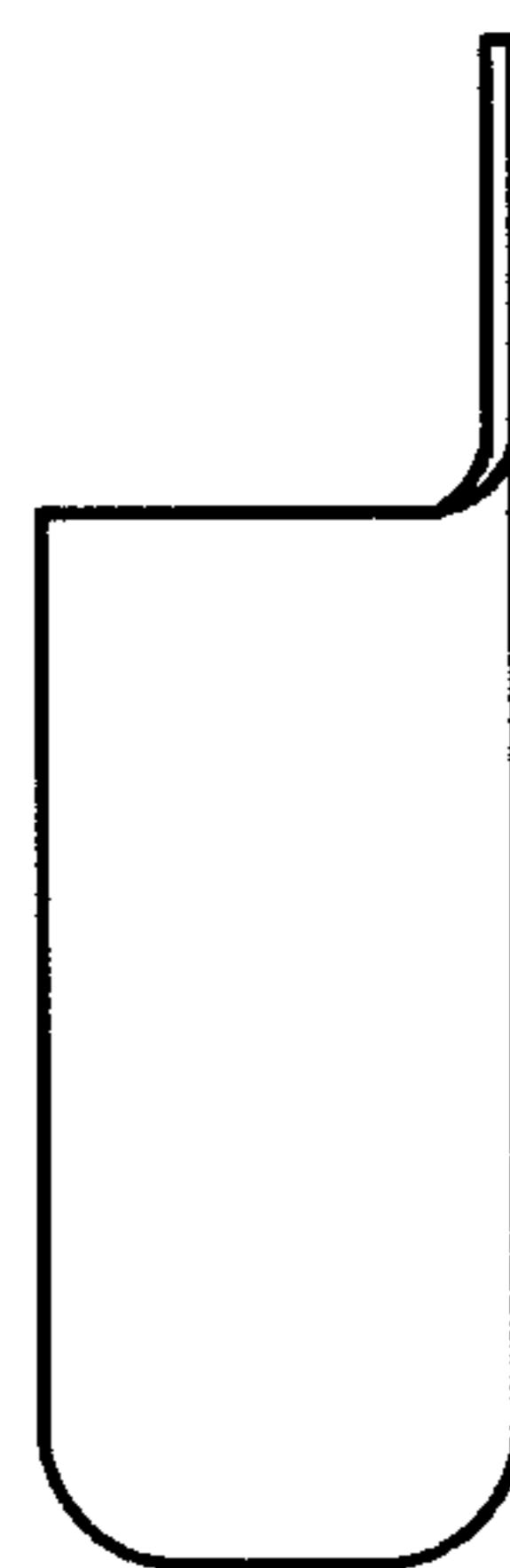


FIG. 4

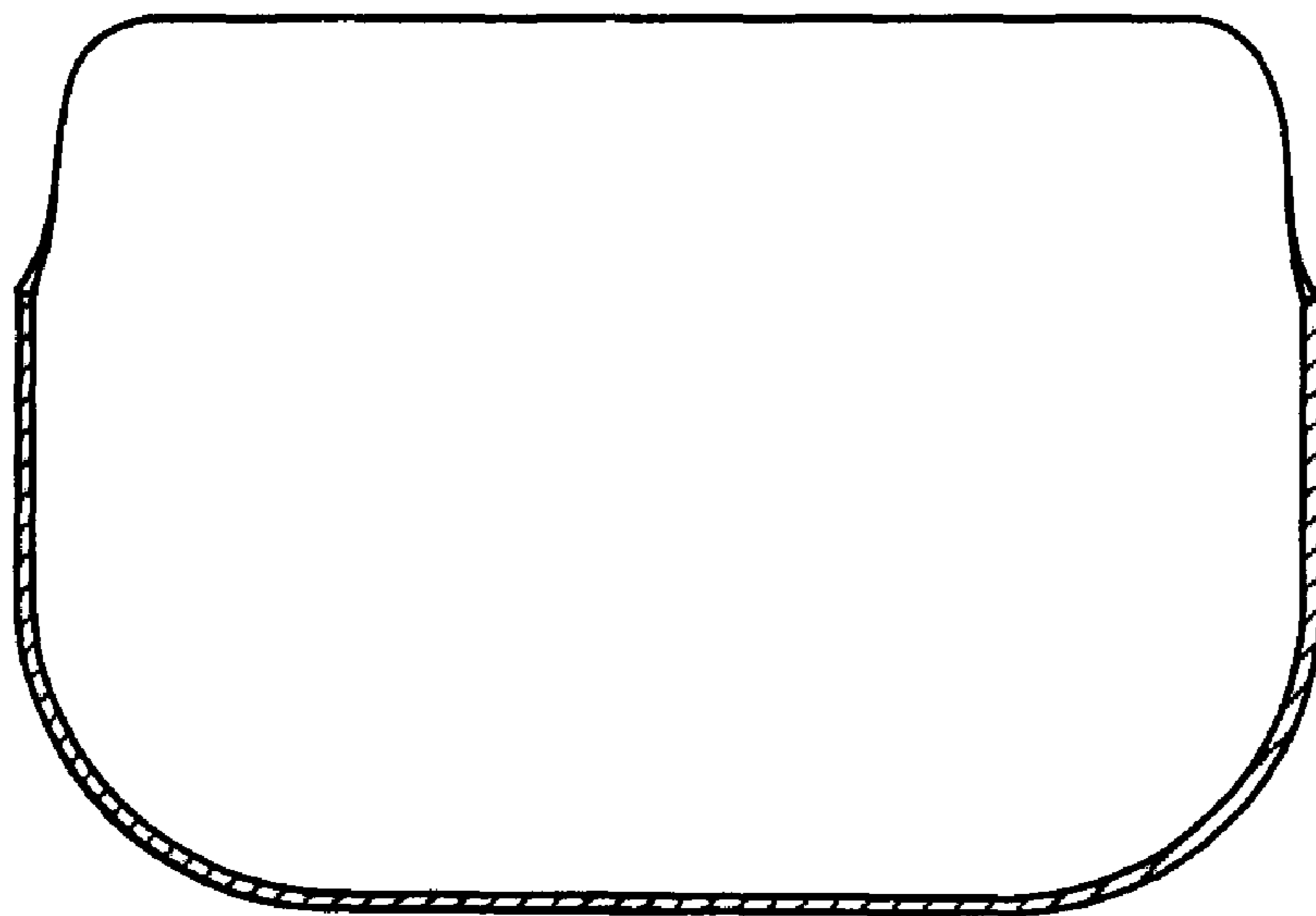


FIG. 8

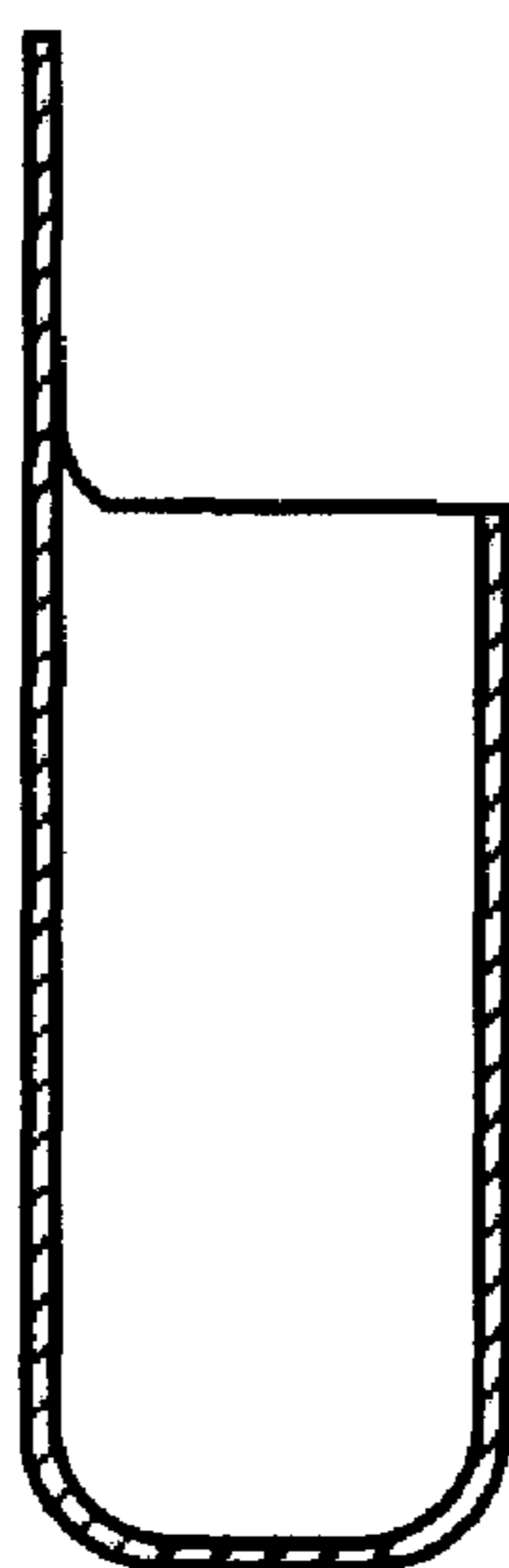


FIG. 9