



US00D622924S

(12) **United States Design Patent**
Liao

(10) **Patent No.:** **US D622,924 S**

(45) **Date of Patent:** **** Aug. 31, 2010**

(54) **GOLF CART**

2008/0174090 A1* 7/2008 Gross 280/646

(75) Inventor: **Gordon Liao**, Yung Kang (TW)

* cited by examiner

(73) Assignee: **Unique Products & Design Co., Ltd.**,
Yung Kang (TW)

Primary Examiner—Cynthia E Ramirez
(74) *Attorney, Agent, or Firm*—Alan Kamrath; Kamrath &
Associates PA

(**) Term: **14 Years**

(57) **CLAIM**

(21) Appl. No.: **29/345,866**

The ornamental design for a golf cart, as shown and
described.

(22) Filed: **Oct. 23, 2009**

(51) **LOC (9) Cl.** **12-13**

(52) **U.S. Cl.** **D34/15**

(58) **Field of Classification Search** D34/15,
D34/12-27; 280/DIG. 5, DIG. 6, 62, 47.19,
280/47.26, 47.17, 47.18, 47.24, 30, 40, 41,
280/646, 652, 47.22, 79.11; 180/19.3, 19.1,
180/65.6

See application file for complete search history.

DESCRIPTION

FIG. 1 is a perspective view of a golf cart showing my new
design;

FIG. 2 is a front elevational view thereof;

FIG. 3 is a rear elevational view thereof;

FIG. 4 is a left side elevational view thereof;

FIG. 5 is a right side elevational view thereof;

FIG. 6 is a top plan view thereof;

FIG. 7 is a bottom plan view thereof;

FIG. 8 is a perspective schematic view illustrating a golf cart
showing my design being folded; and,

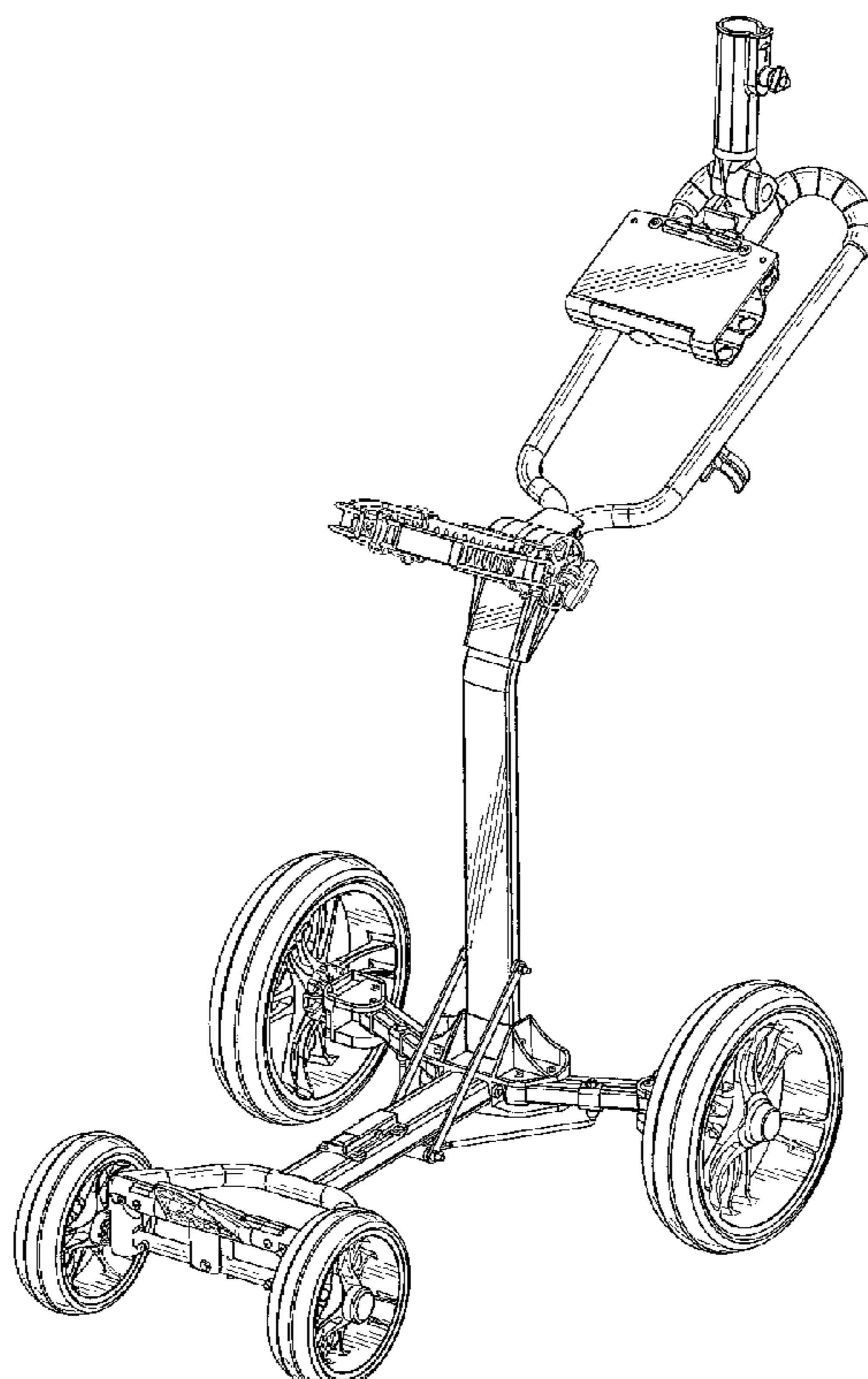
FIG. 9 is a perspective schematic view illustrating a position
of a golf cart showing my design being attached a seat unit.
The broken lines shown in the drawings are for illustrative
purposes only and form no part of the claimed design.

(56) **References Cited**

U.S. PATENT DOCUMENTS

6,099,024	A *	8/2000	Liao	280/655
D450,167	S *	11/2001	Liao	D34/15
D522,706	S *	6/2006	Stewart et al.	D34/15
D580,618	S *	11/2008	Liao	D34/15
D596,365	S *	7/2009	Reimers et al.	D34/15
D596,821	S *	7/2009	Reimers et al.	D34/15
D599,973	S *	9/2009	Liao	D34/15
2004/0135331	A1 *	7/2004	Liao	280/47.2
2006/0071434	A1 *	4/2006	Cheng	280/47.26

1 Claim, 9 Drawing Sheets



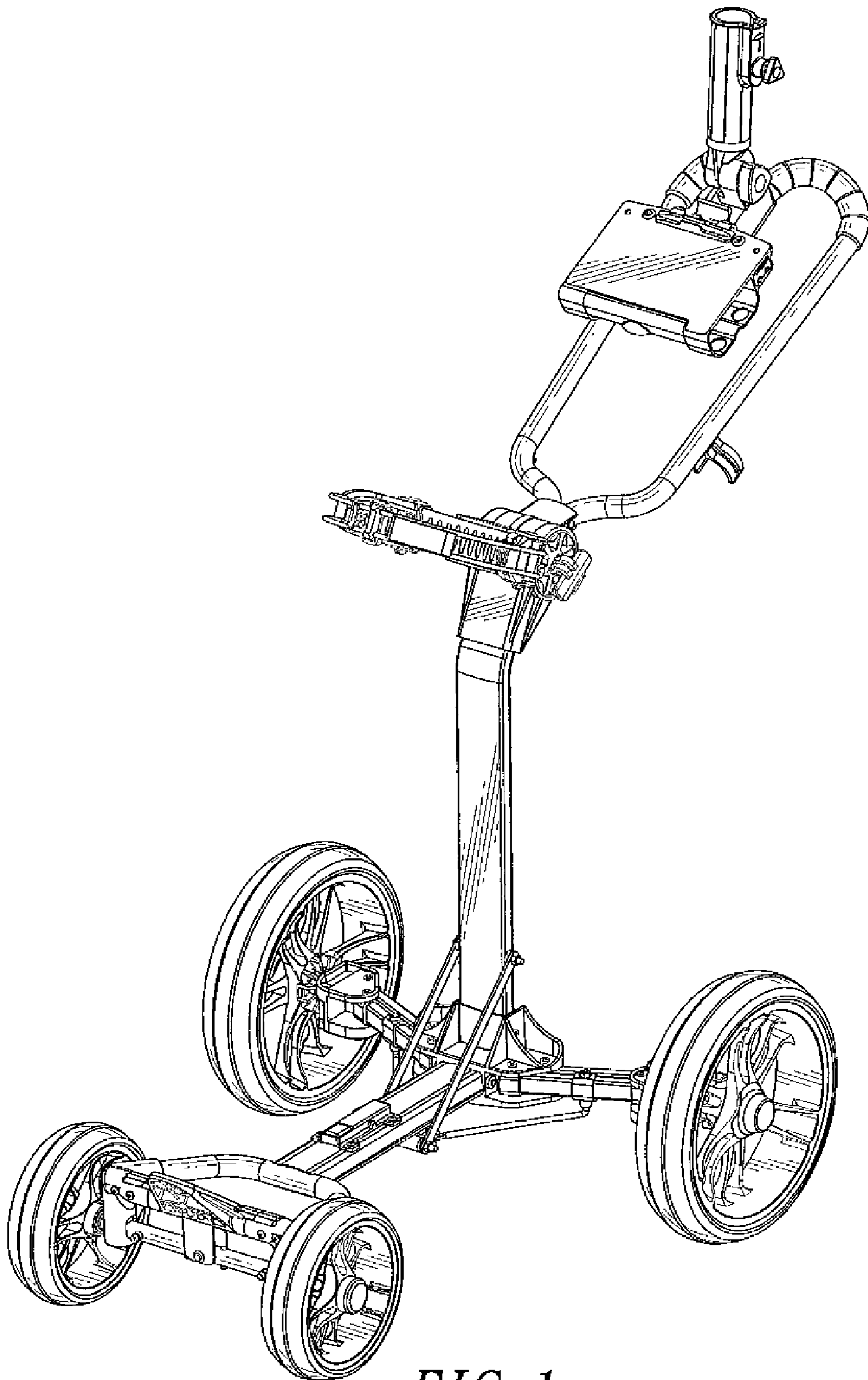


FIG. 1

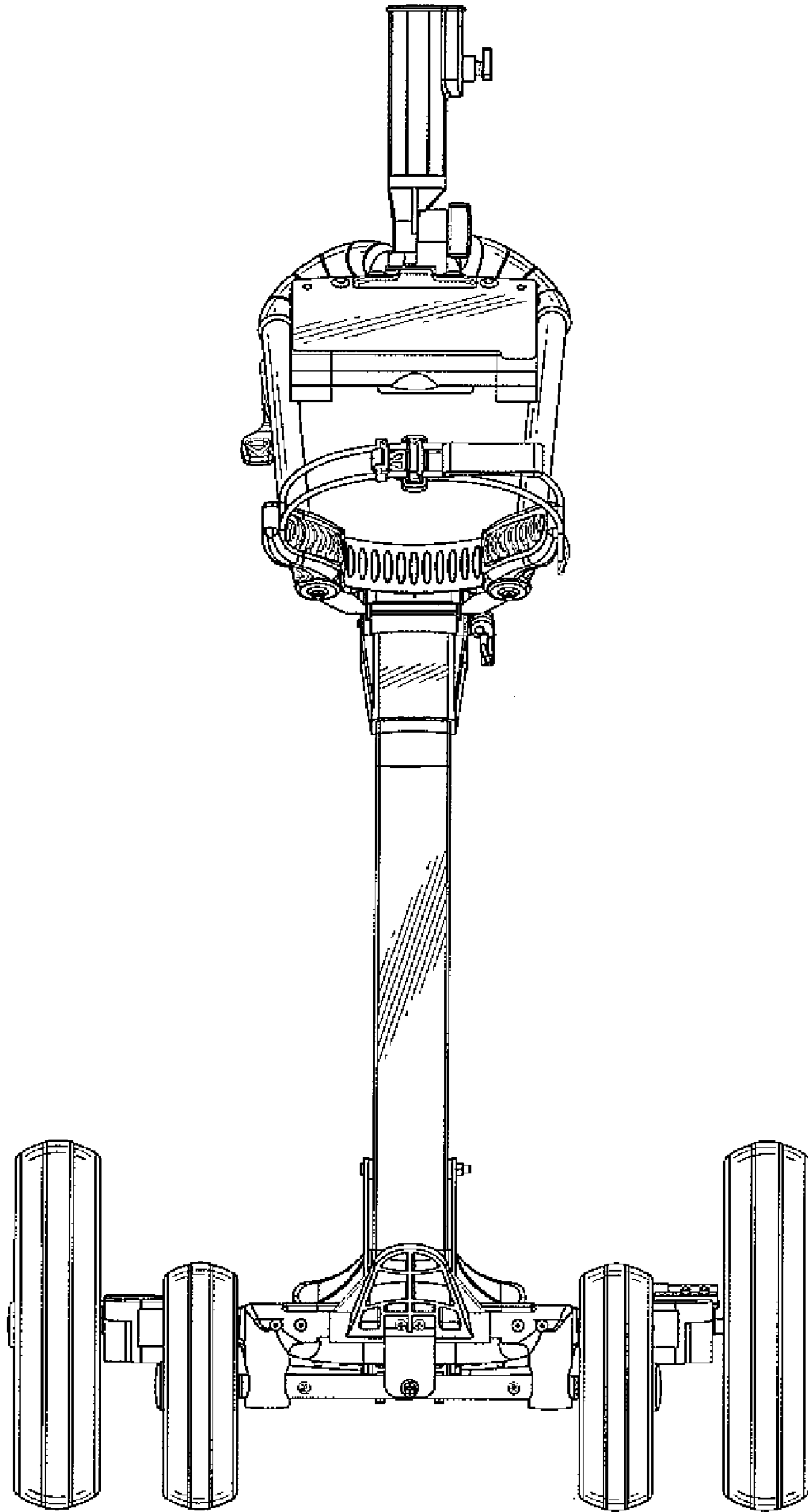


FIG. 2

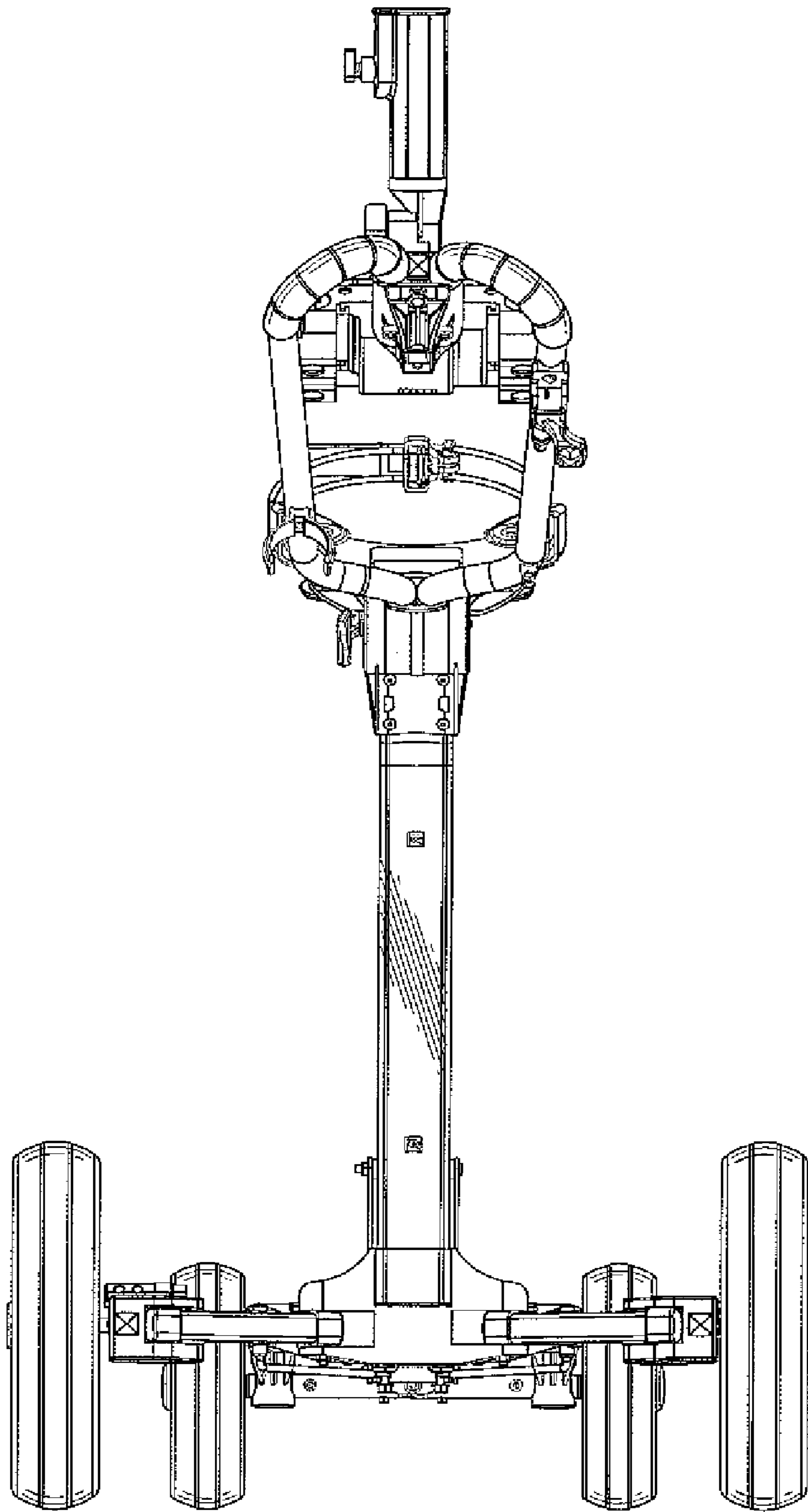


FIG. 3

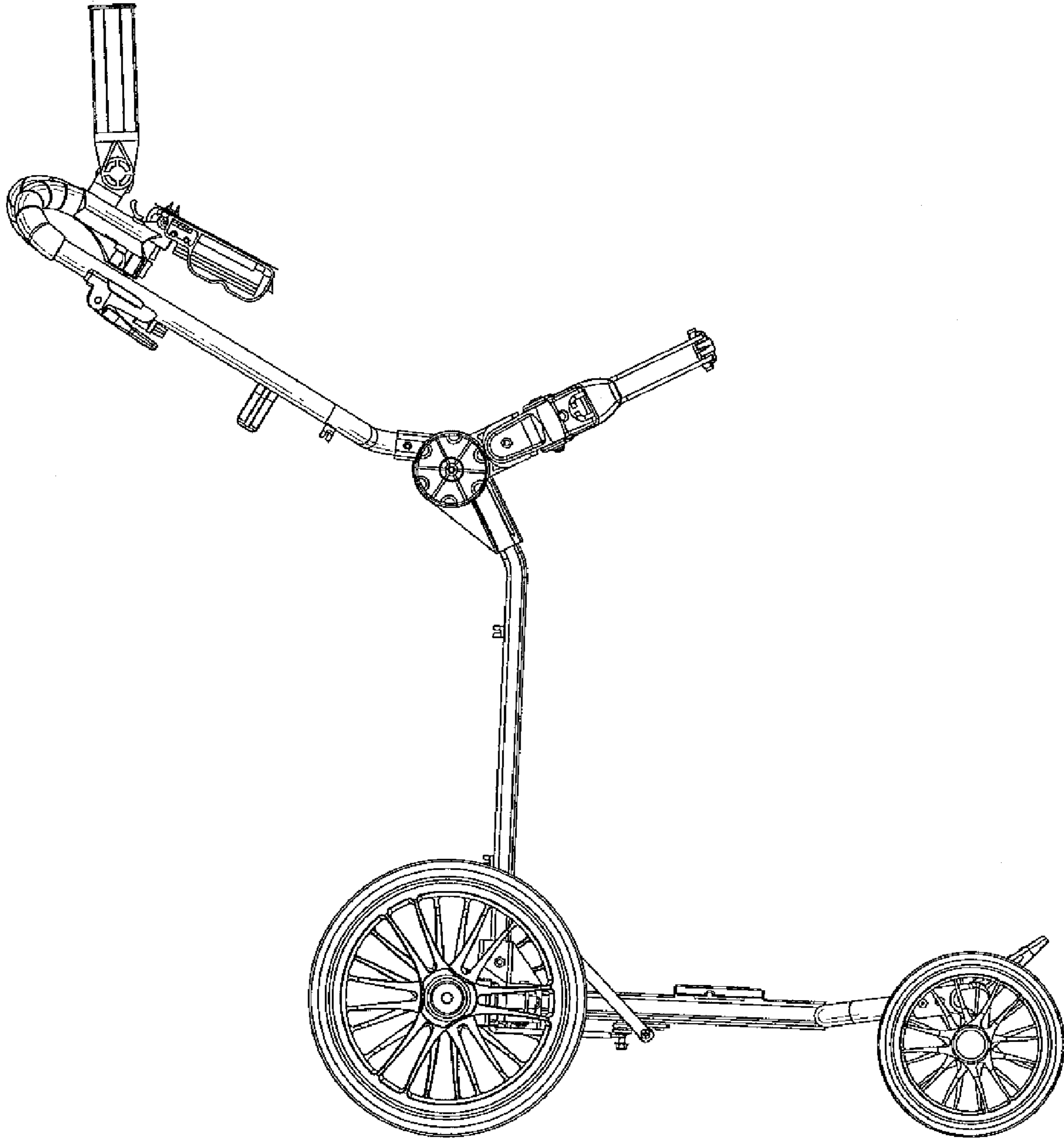


FIG. 4

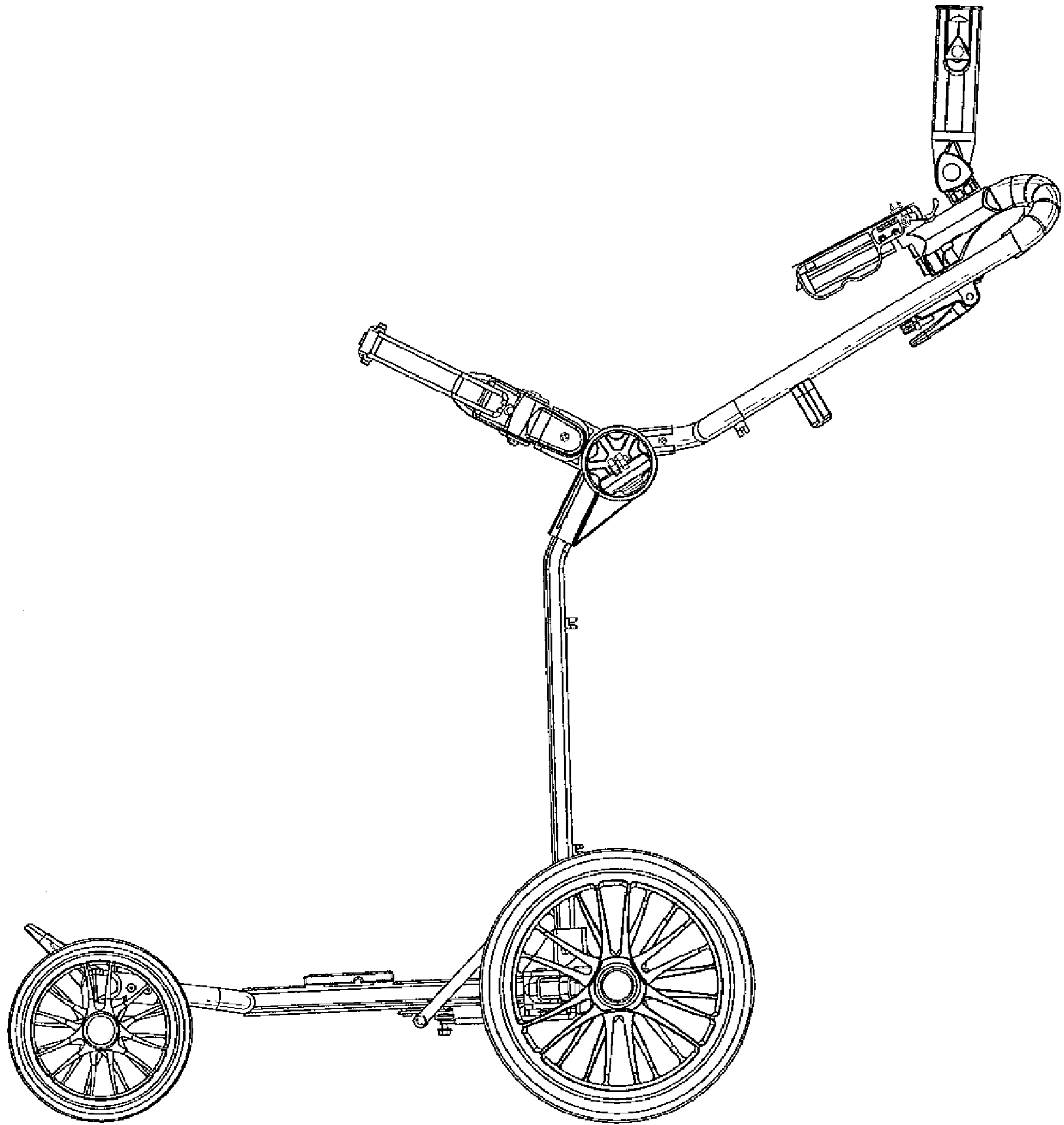


FIG. 5

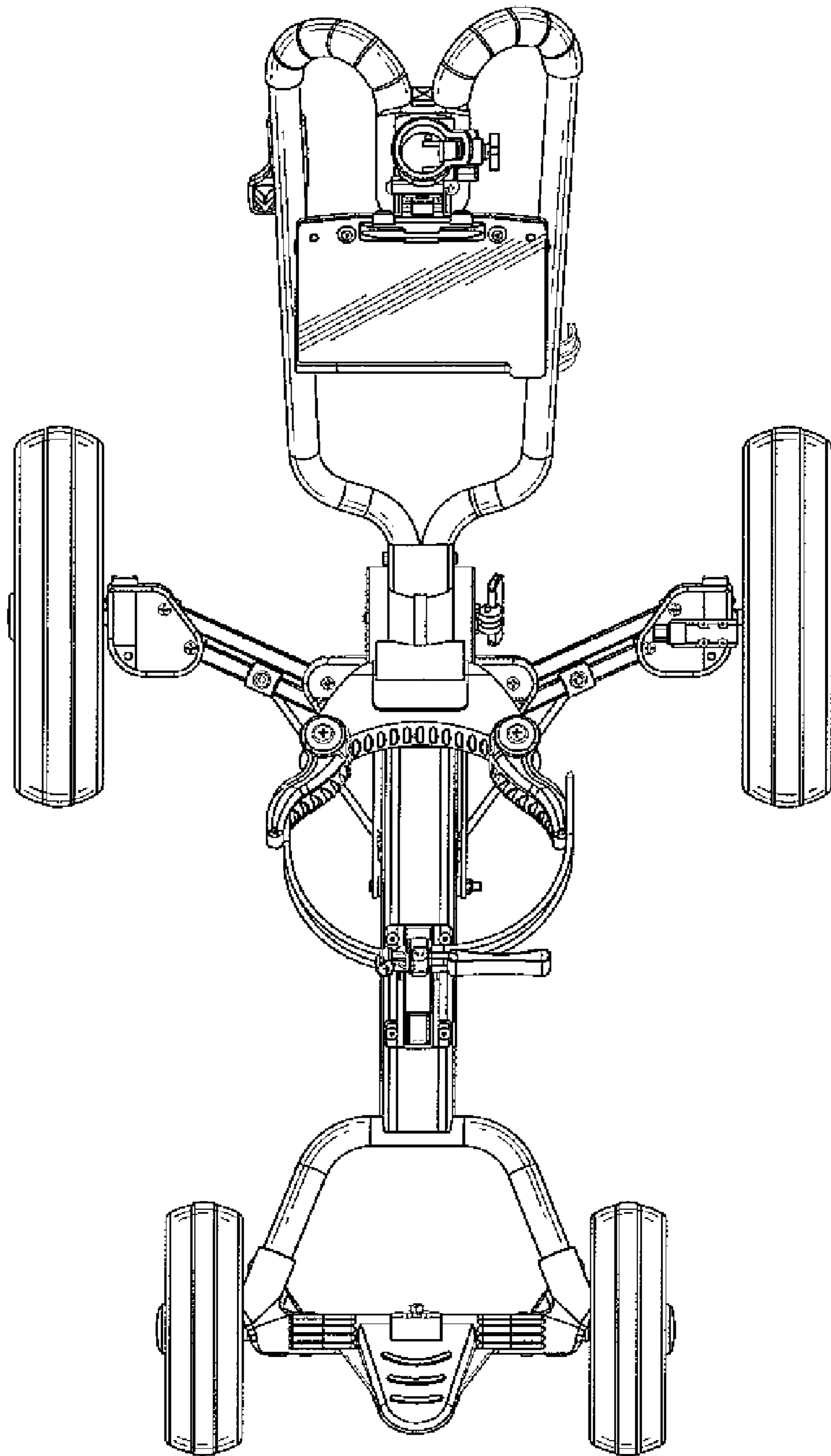


FIG. 6

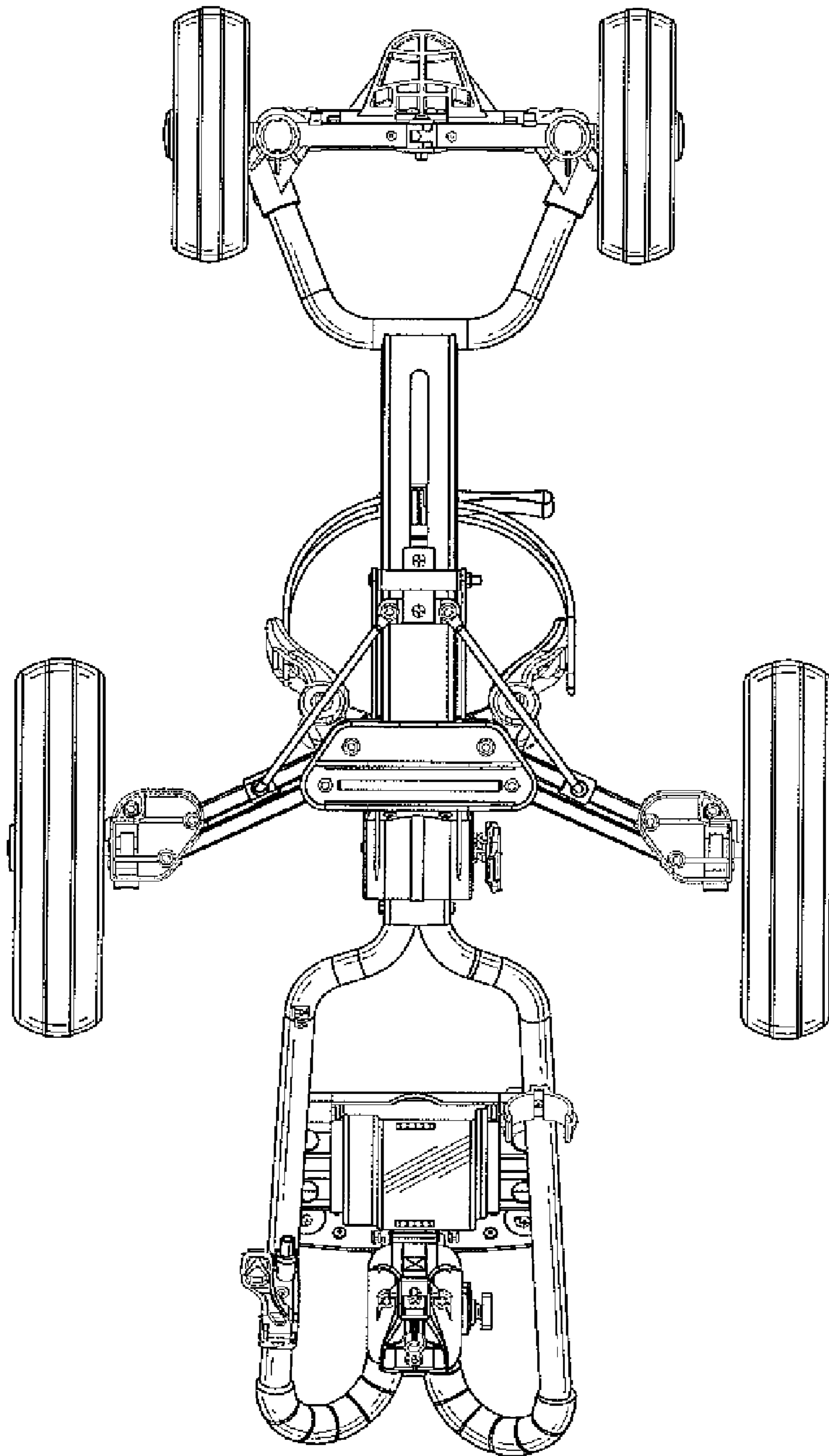


FIG. 7

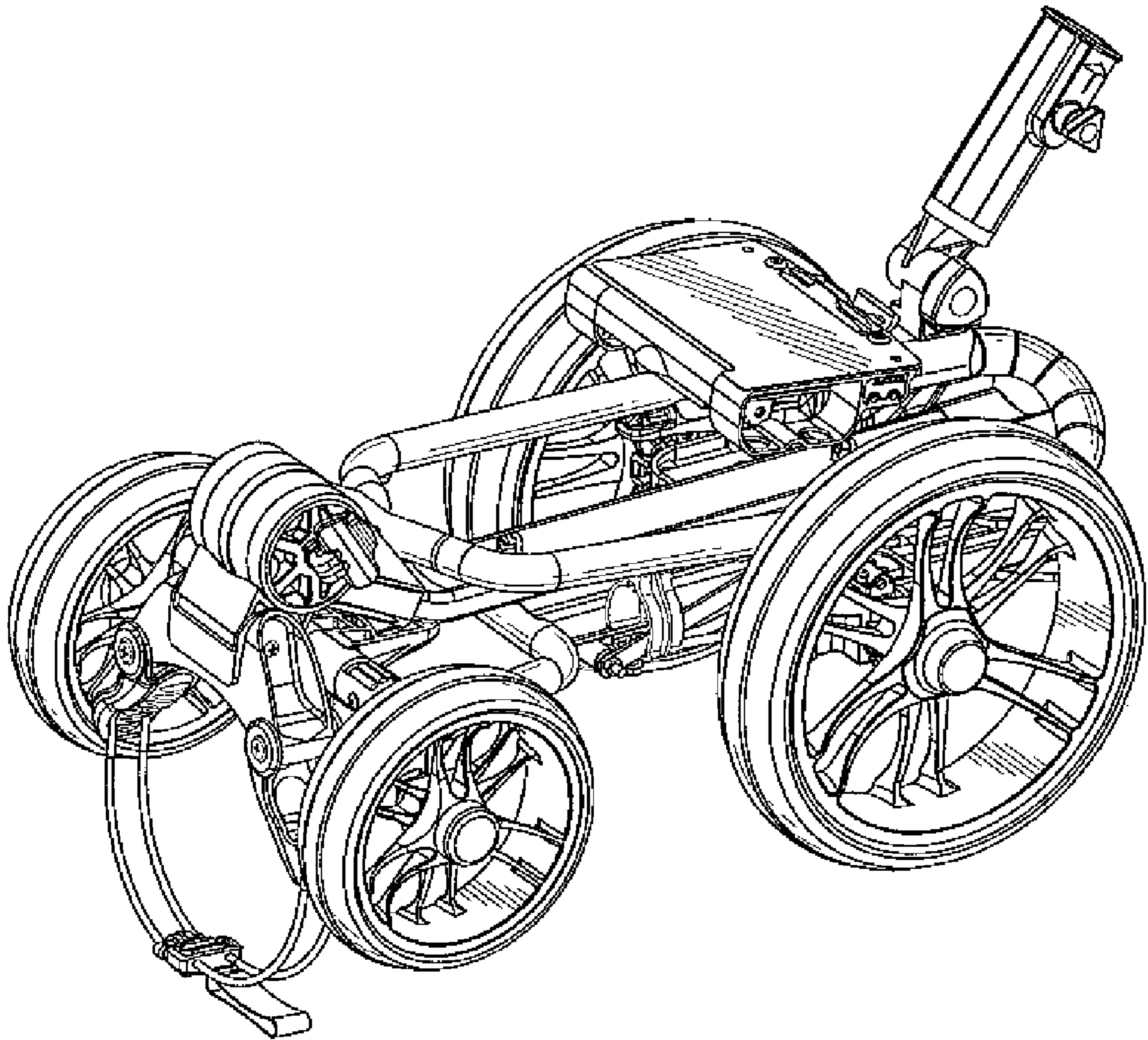


FIG. 8

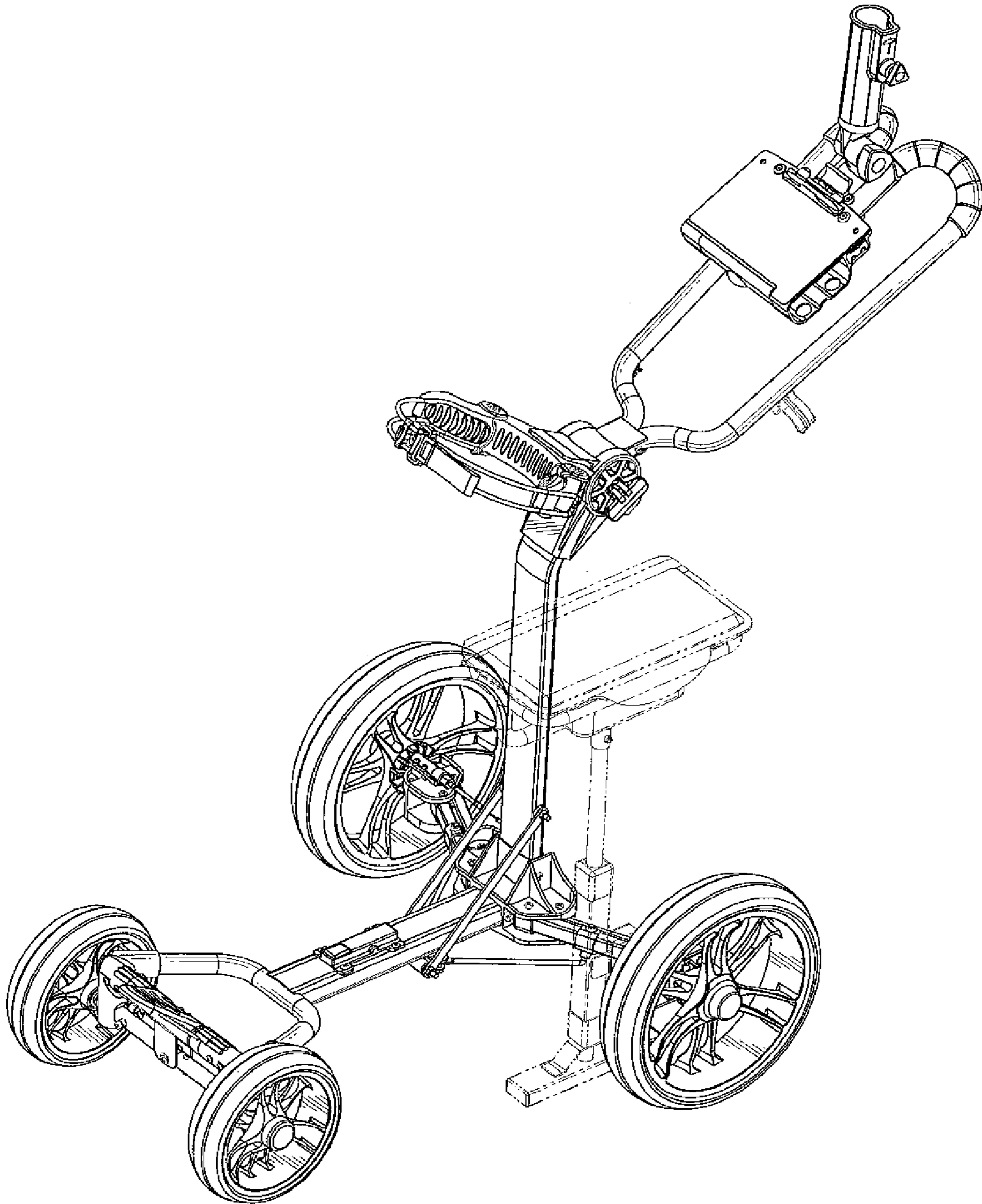


FIG. 9