



US00D622919S

(12) **United States Design Patent**
Wertz

(10) **Patent No.:** **US D622,919 S**

(45) **Date of Patent:** **** Aug. 31, 2010**

(54) **STAIR RISER CARPET CLEANER NOZZLE**

(76) **Inventor:** **Robert Wertz**, 545 S. 300 West, Salt Lake City, UT (US) 84101

(**) **Term:** **14 Years**

(21) **Appl. No.:** **29/315,387**

(22) **Filed:** **Jun. 22, 2009**

(51) **LOC (9) Cl.** **15-05**

(52) **U.S. Cl.** **D32/32**

(58) **Field of Classification Search** D32/31-34;
15/414-422.1, 236.04, 144.4, 144.3, 406,
15/104.05, 383, 377, 412, 400-402, 387,
15/322, 344

See application file for complete search history.

(56) **References Cited**

U.S. PATENT DOCUMENTS

3,571,841	A *	3/1971	Crouser	15/401
D223,173	S *	3/1972	Howard et al.	D32/32
D232,298	S *	8/1974	Jones	D32/32
D246,523	S *	11/1977	Bartlett	D32/32
D255,359	S *	6/1980	Bartlett	D32/32
4,557,013	A *	12/1985	Belmont	15/401
4,879,784	A *	11/1989	Shero	15/322
D306,506	S *	3/1990	Houser	D32/33
4,989,294	A *	2/1991	Fischer	15/415.1
5,555,599	A *	9/1996	Markley	15/322

D424,766	S *	5/2000	Martin	D32/32
D518,259	S *	3/2006	Wertz	D32/33
D569,564	S *	5/2008	Labarbera	D32/32
D599,065	S *	8/2009	Roschi	D32/32
2008/0196198	A1 *	8/2008	Labarbera et al.	15/415.1

* cited by examiner

Primary Examiner—Ruth McInroy

(57) **CLAIM**

The ornamental design for a stair riser carpet cleaner nozzle, as shown and described.

DESCRIPTION

FIG. 1 is a perspective view of a stair riser carpet cleaner nozzle showing my new design;

FIG. 2 is a top, front and side perspective view thereof;

FIG. 3 is a front elevation view thereof;

FIG. 4 is an end elevation view thereof;

FIG. 5 is a top plan view thereof;

FIG. 6 is a bottom plan view thereof;

FIG. 7 is a rear elevation view thereof; and,

FIG. 8 is an end elevation view of the opposite side of FIG. 4.

The details shown in broken lines form no part of the claimed design.

1 Claim, 4 Drawing Sheets

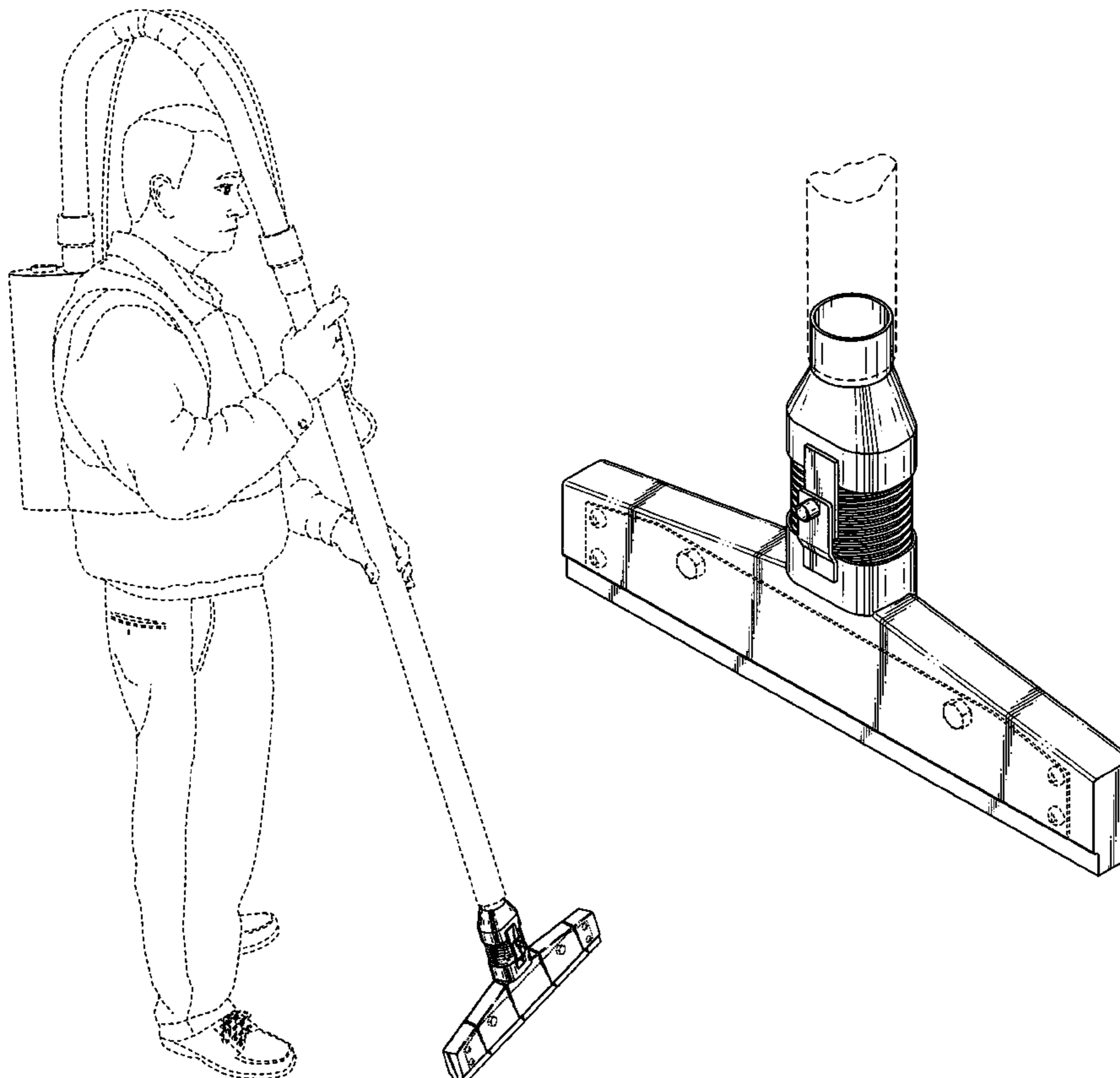




FIG. 1

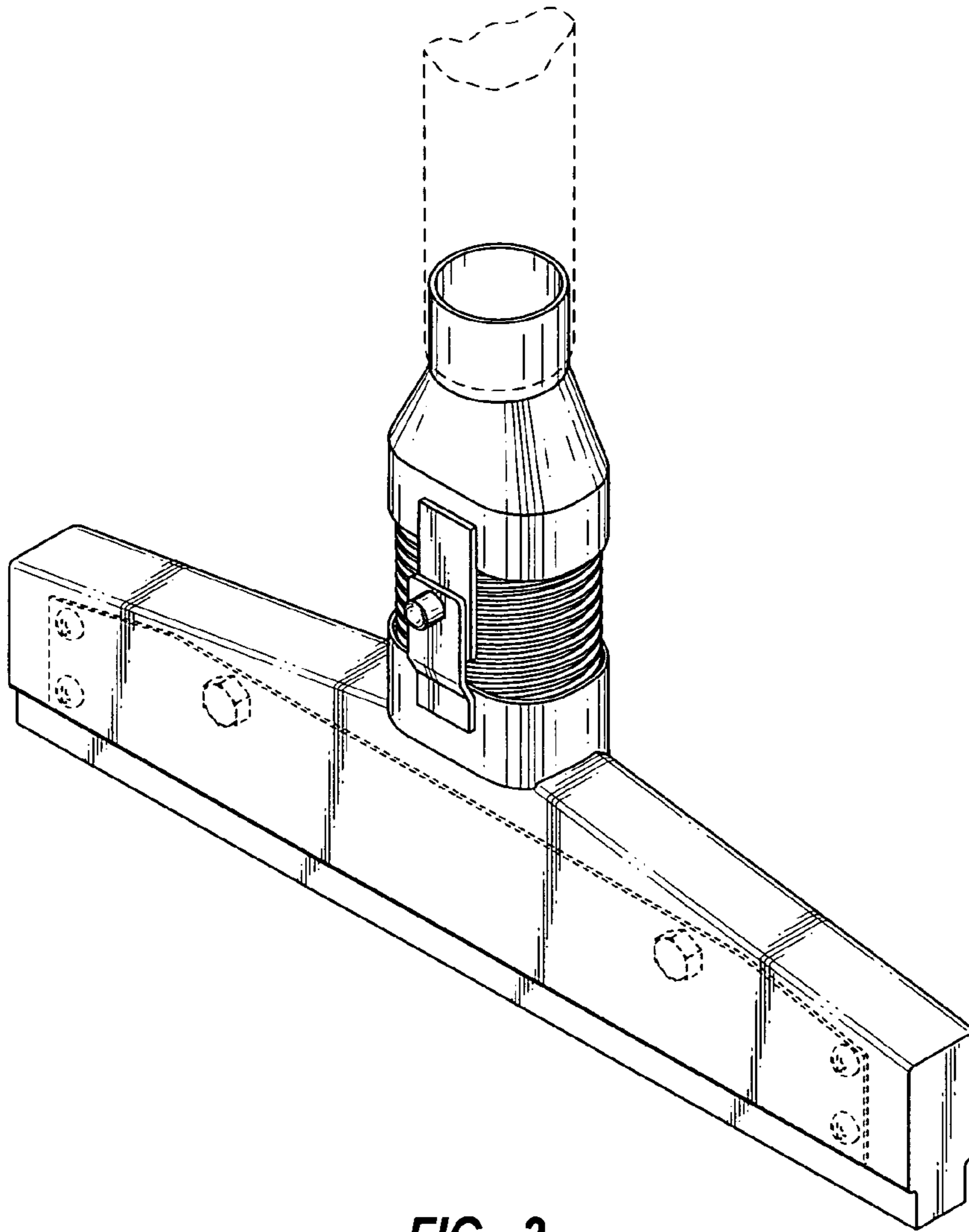


FIG. 2

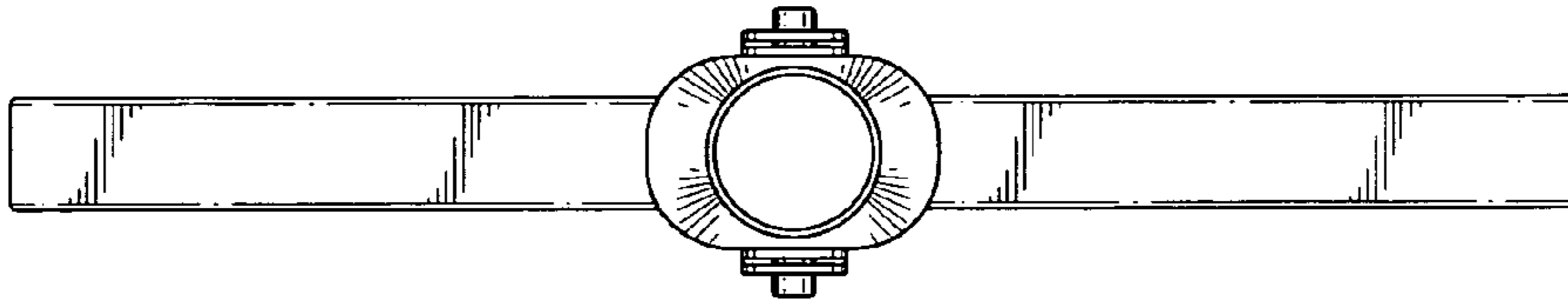


FIG. 5

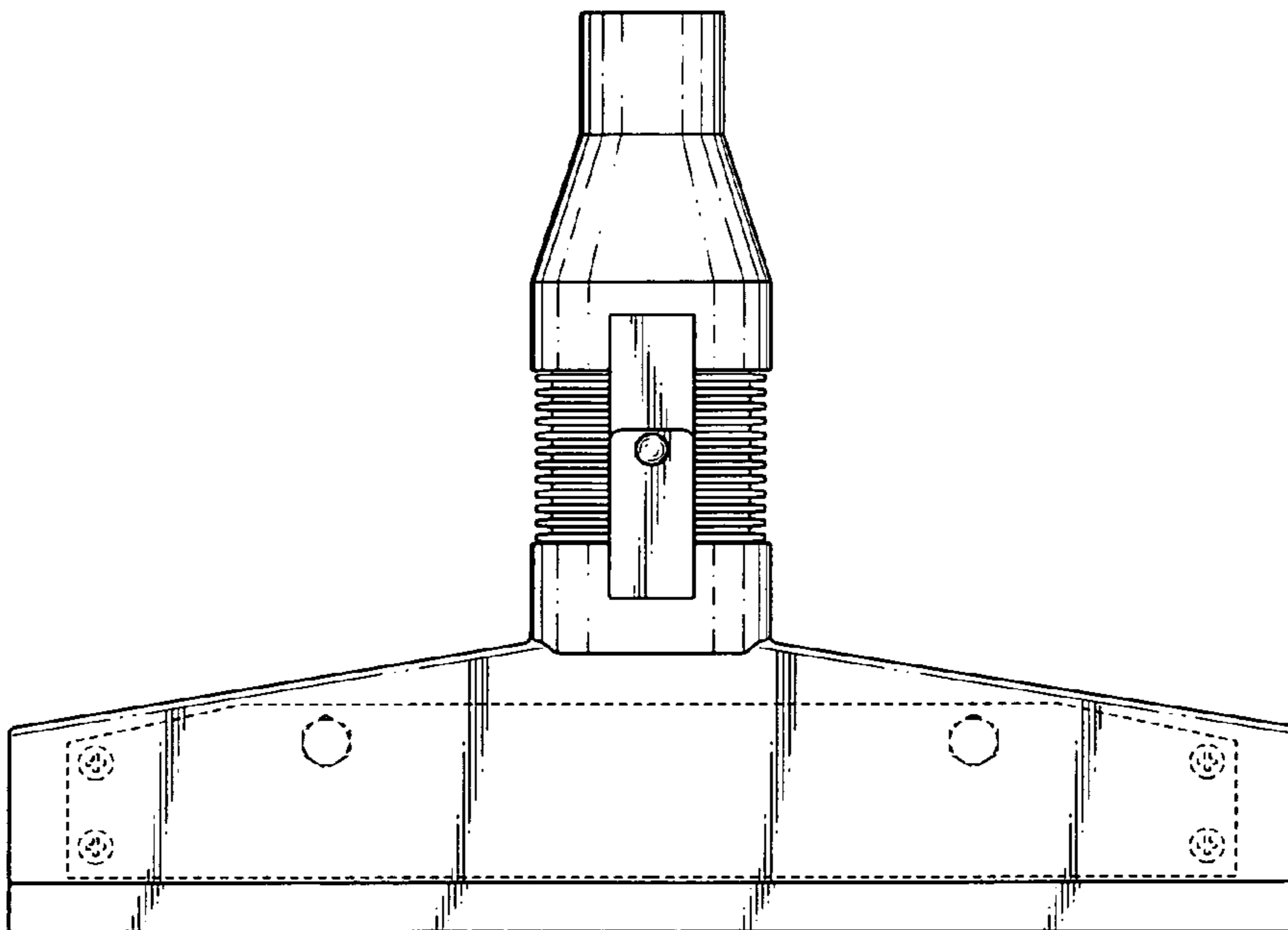


FIG. 3

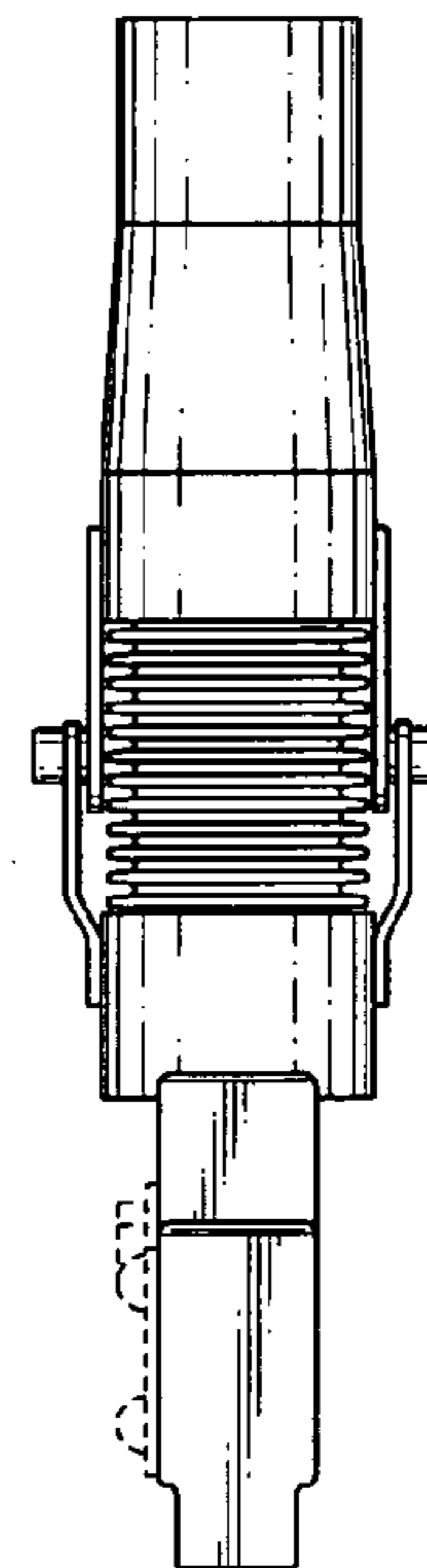


FIG. 4

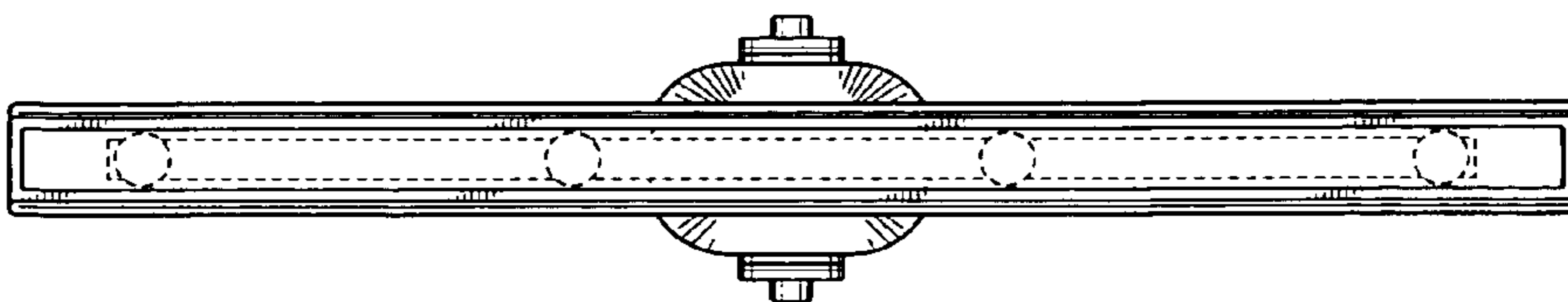


FIG. 6

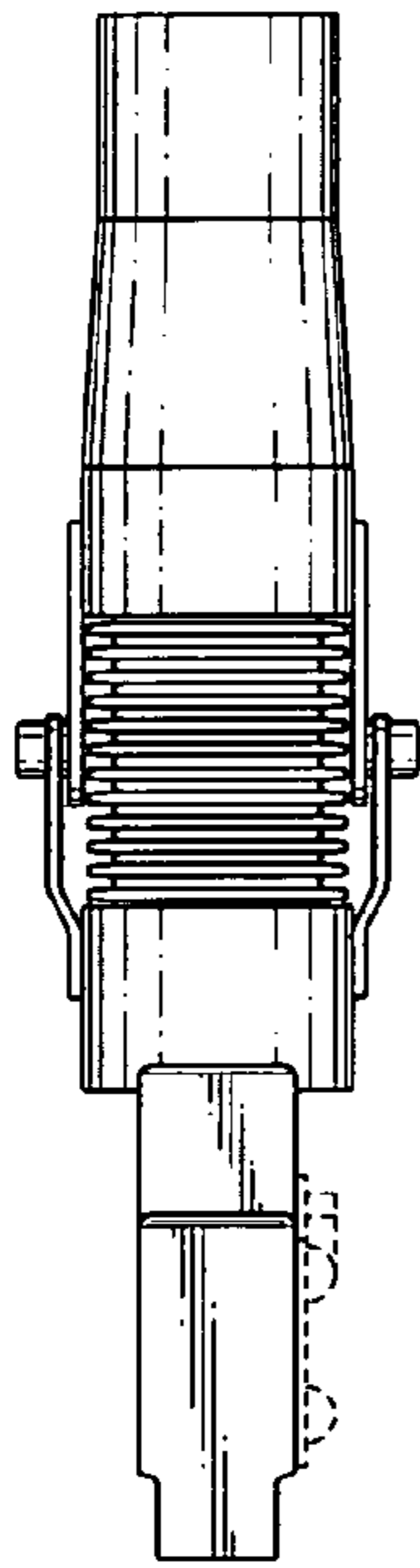


FIG. 8

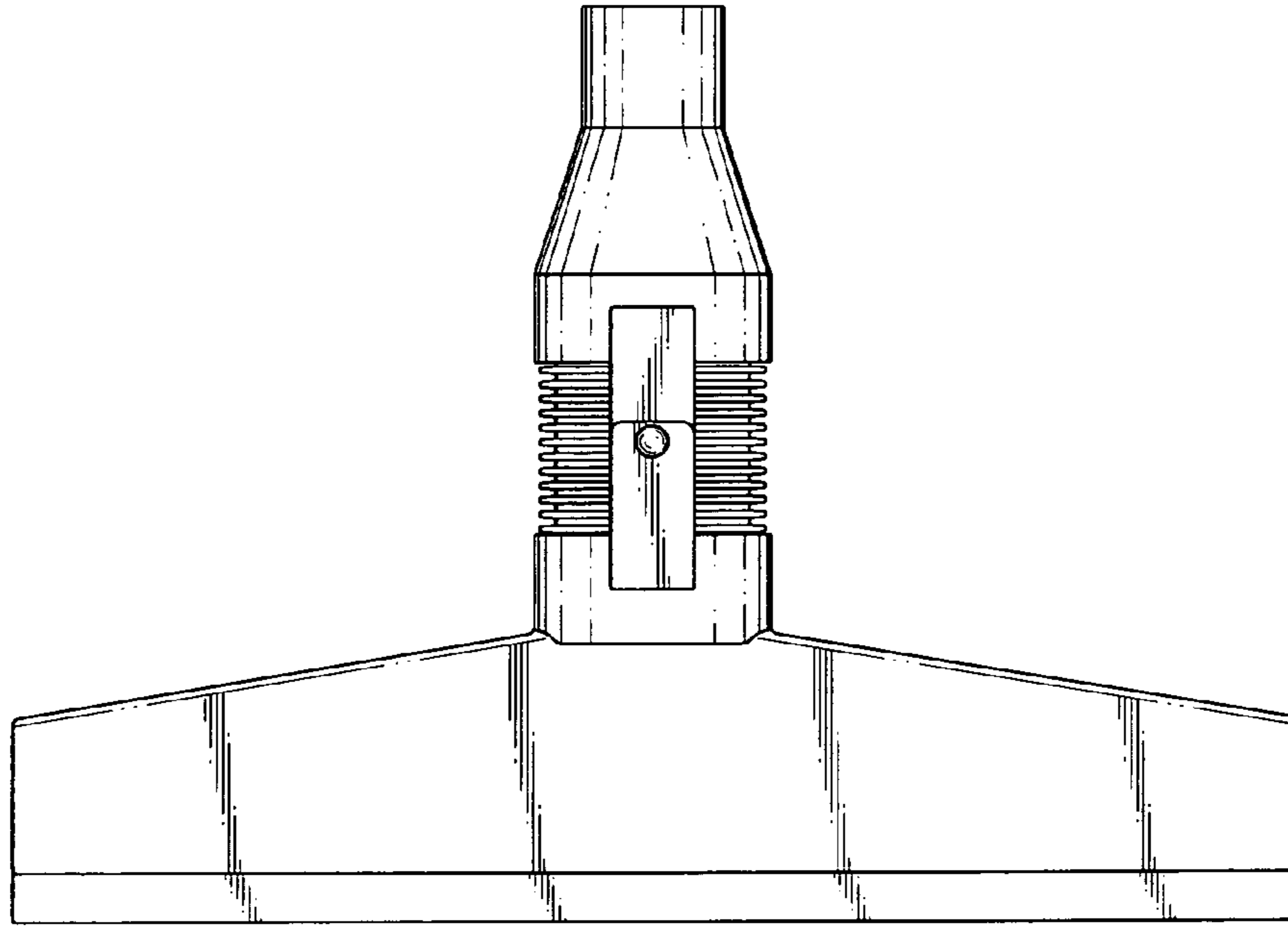


FIG. 7