



US00D622915S

(12) **United States Design Patent**  
**Crookshanks et al.**

(10) **Patent No.:** **US D622,915 S**

(45) **Date of Patent:** **\*\* Aug. 31, 2010**

(54) **PORTION OF AN APPLIANCE**

(75) Inventors: **Kent Allen Stephen Crookshanks**,  
Anderson, SC (US); **Chuck Baker**,  
Anderson, SC (US); **Vittorio**  
**Cascianelli**, Anderson, SC (US)

(73) Assignee: **Electrolux Home Products, Inc.**,  
Cleveland, OH (US)

(\*\*) Term: **14 Years**

(21) Appl. No.: **29/340,158**

(22) Filed: **Jul. 14, 2009**

(51) **LOC (9) Cl.** ..... **15-05**

(52) **U.S. Cl.** ..... **D32/3**

(58) **Field of Classification Search** ..... D32/1,  
D32/2, 3, 25, 28; D7/348, 349, 350, 351,  
D7/405; 134/56 D, 57 D, 58 D, 58 DL, 113,  
134/135, 200, 201; 68/212; 312/31; D15/89,  
D15/91

See application file for complete search history.

(56) **References Cited**

U.S. PATENT DOCUMENTS

D471,403 S *	3/2003	Jones et al.	.....	D7/405
D473,980 S *	4/2003	Bowser et al.	.....	D32/3
D516,758 S *	3/2006	Kirk	.....	D32/3
D517,252 S *	3/2006	Kirk	.....	D32/3
D537,849 S *	3/2007	Wong et al.	.....	D15/89
D540,497 S *	4/2007	Song	.....	D32/2
D559,478 S *	1/2008	Jung et al.	.....	D32/2

D571,062 S *	6/2008	Suh et al.	.....	D32/2
D610,595 S *	2/2010	Baker et al.	.....	D15/89
D612,206 S *	3/2010	Baker et al.	.....	D7/402
D612,207 S *	3/2010	Baker et al.	.....	D7/402
D612,210 S *	3/2010	Baker et al.	.....	D7/405
D612,682 S *	3/2010	Baker et al.	.....	D7/405
D612,683 S *	3/2010	Baker et al.	.....	D7/405
D612,685 S *	3/2010	Baker et al.	.....	D7/405

\* cited by examiner

*Primary Examiner*—T. Chase Nelson

*Assistant Examiner*—Kathleen M Sims

(74) *Attorney, Agent, or Firm*—Banner & Witcoff, Ltd.

(57) **CLAIM**

The ornamental design for a portion of an appliance, as shown and described.

**DESCRIPTION**

FIG. 1 is a front perspective view of a portion of an appliance showing our new design;

FIG. 2 is a front view thereof;

FIG. 3 is a right side view thereof;

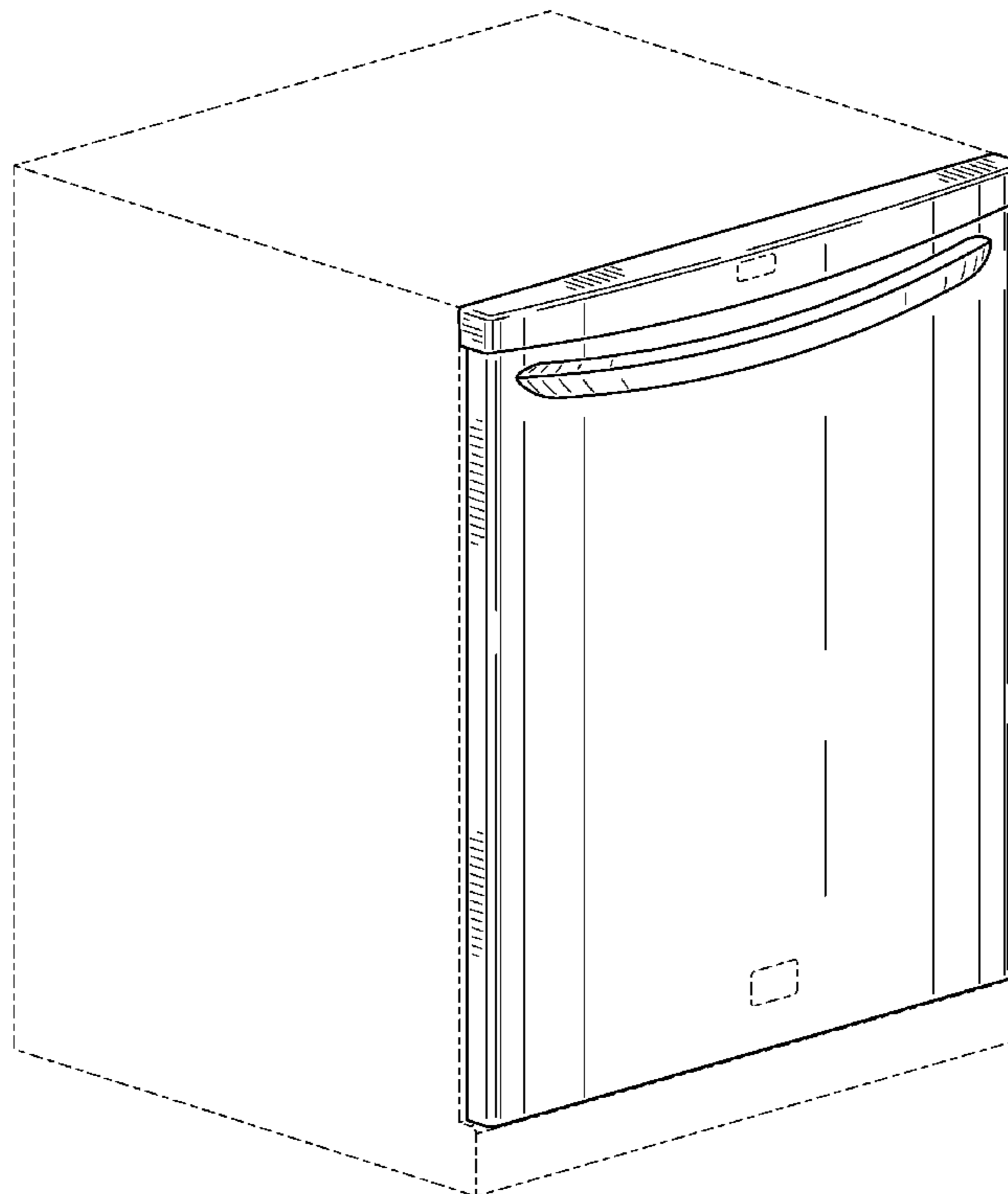
FIG. 4 is a left side view thereof;

FIG. 5 is a top view thereof; and,

FIG. 6 is a bottom view thereof.

The broken line showing of various regions, including the unshaded areas therein, is for illustrative purposes and forms no part of the claimed design.

**1 Claim, 6 Drawing Sheets**



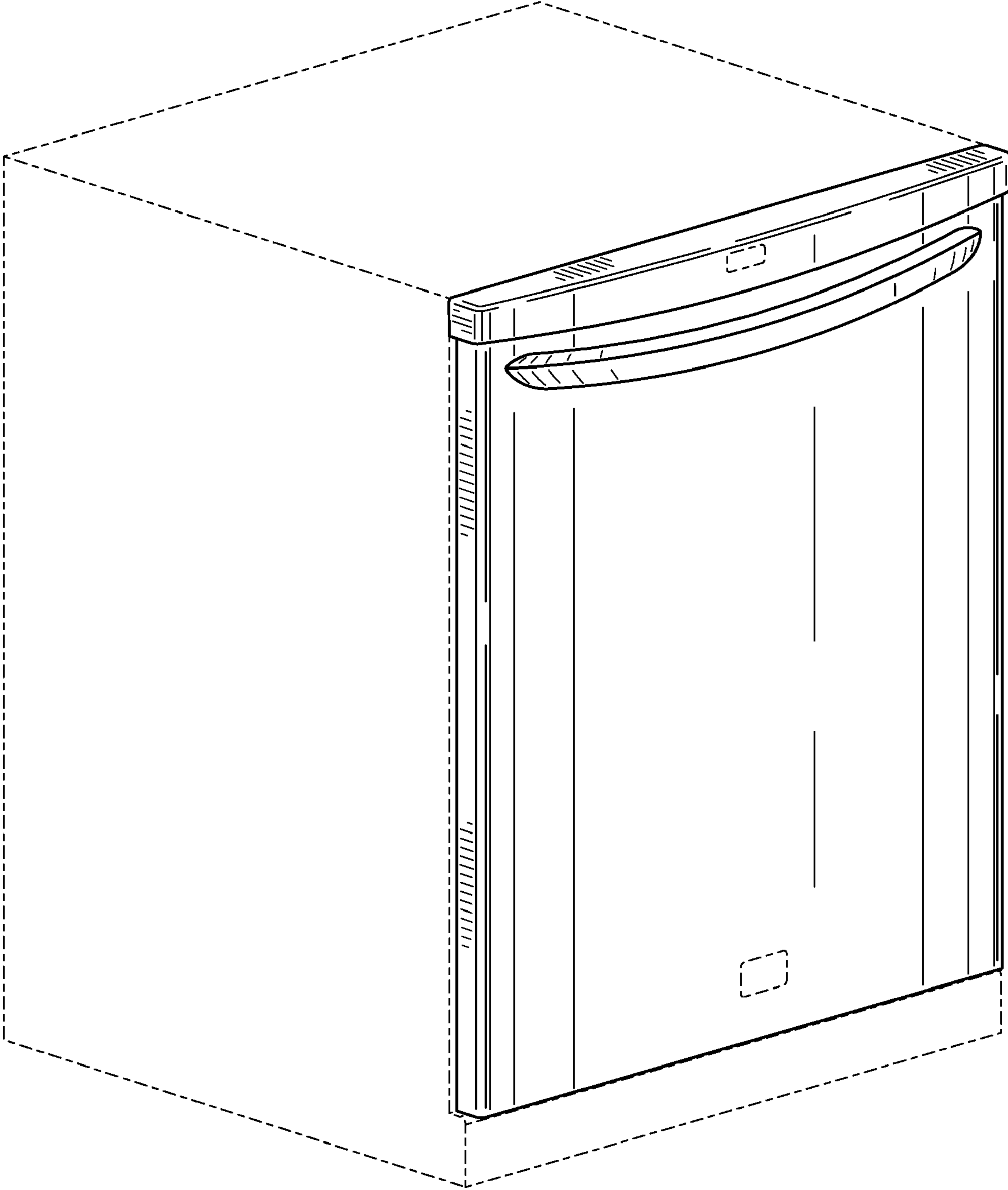


FIG. 1

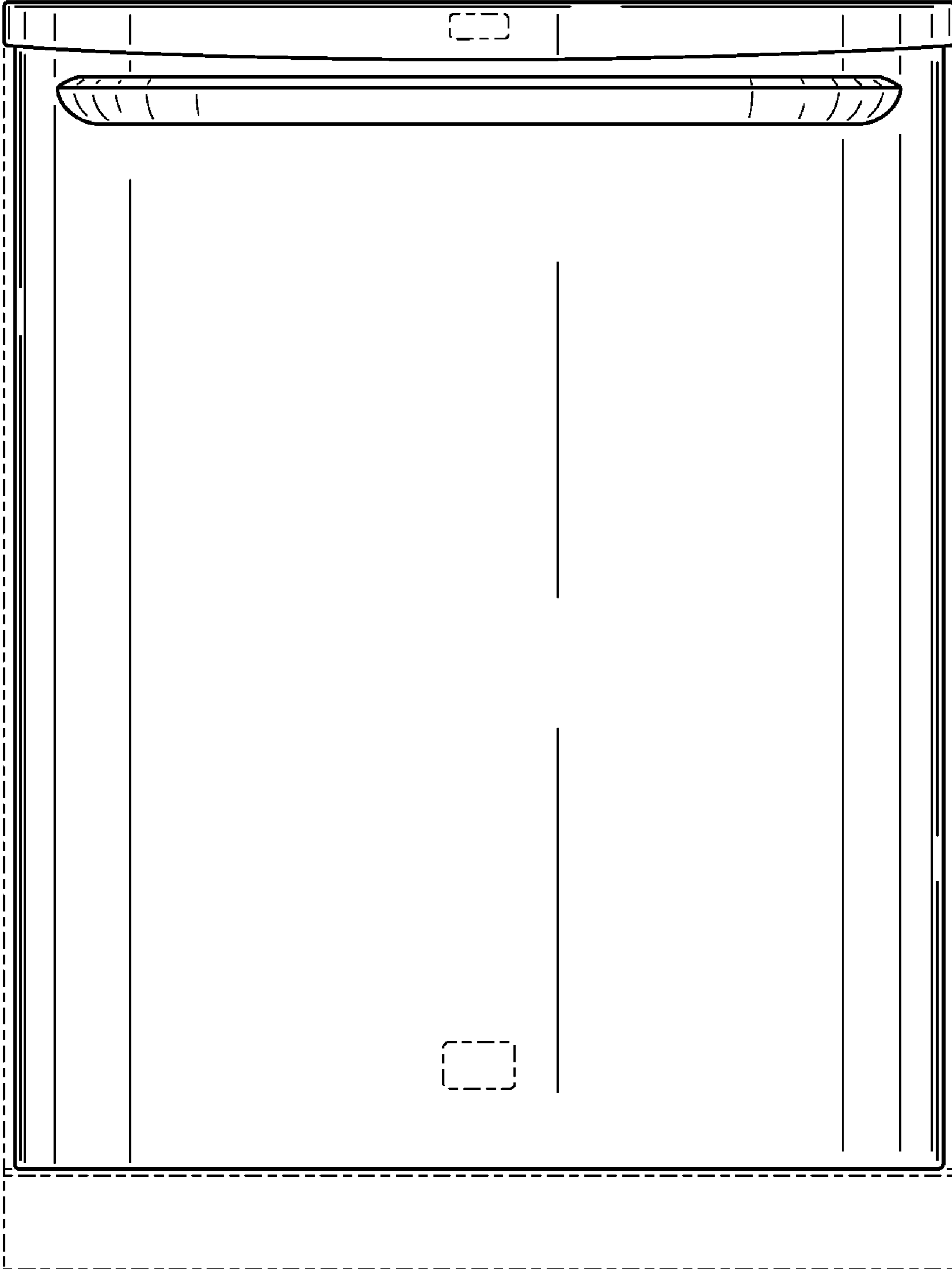


FIG. 2

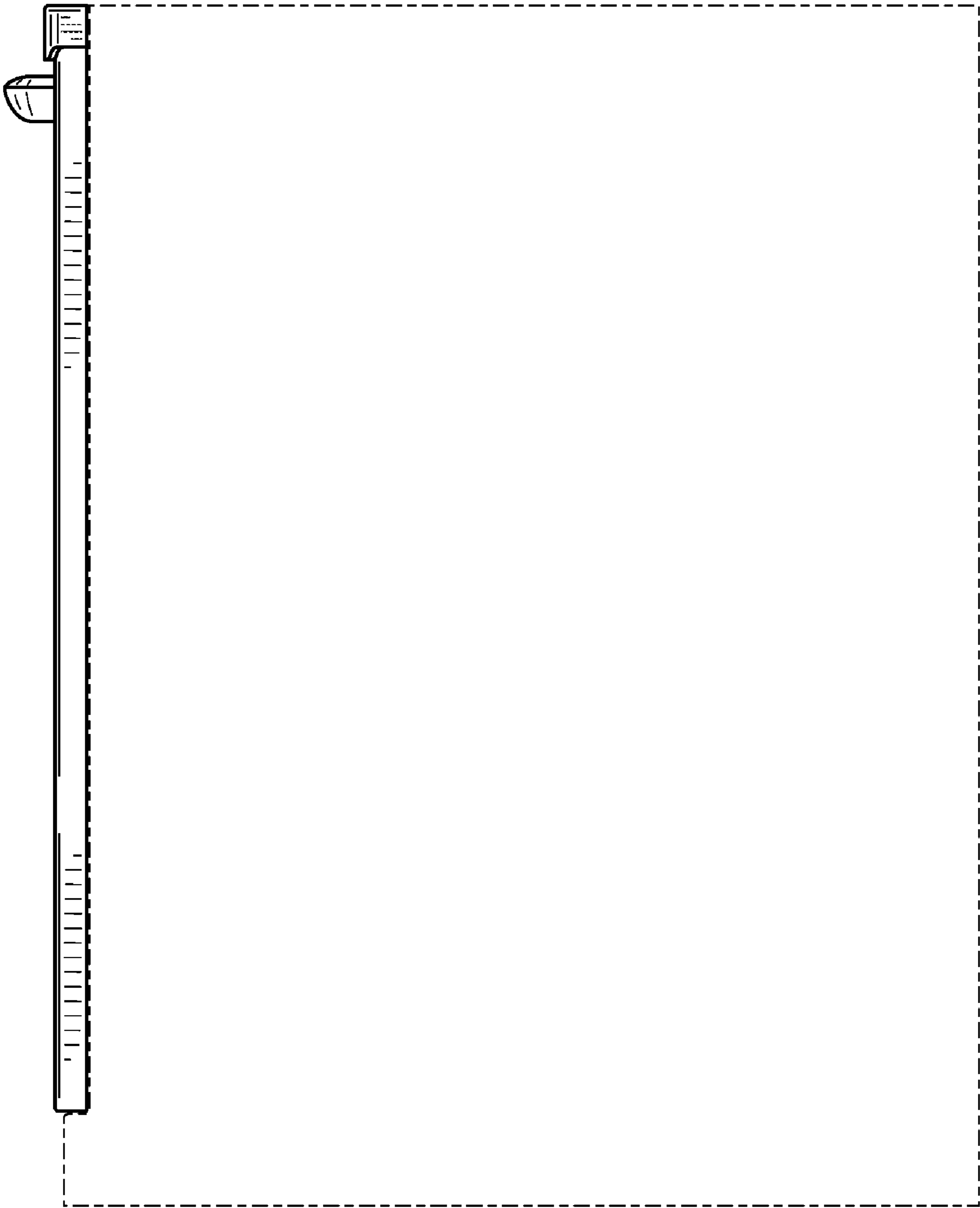


FIG. 3

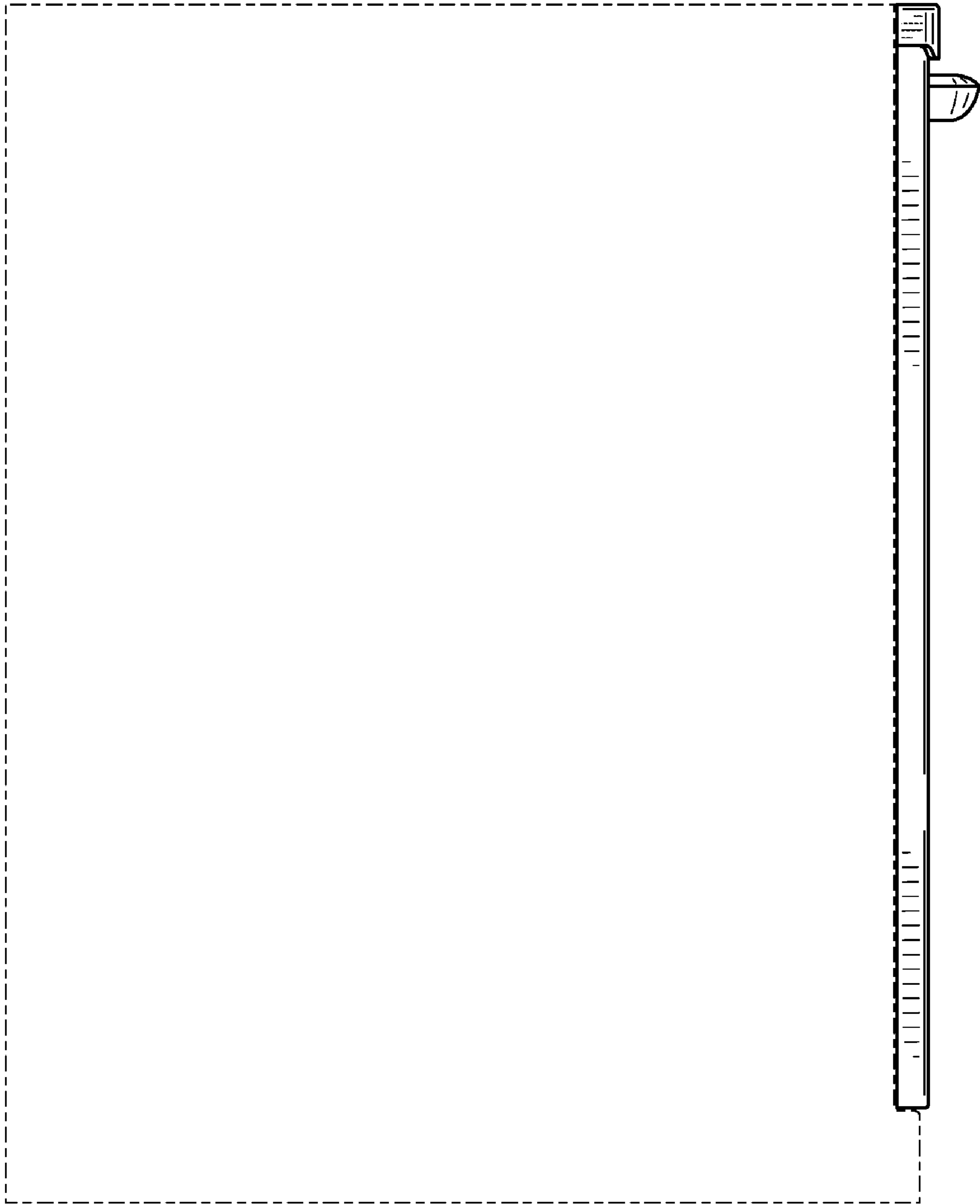


FIG. 4

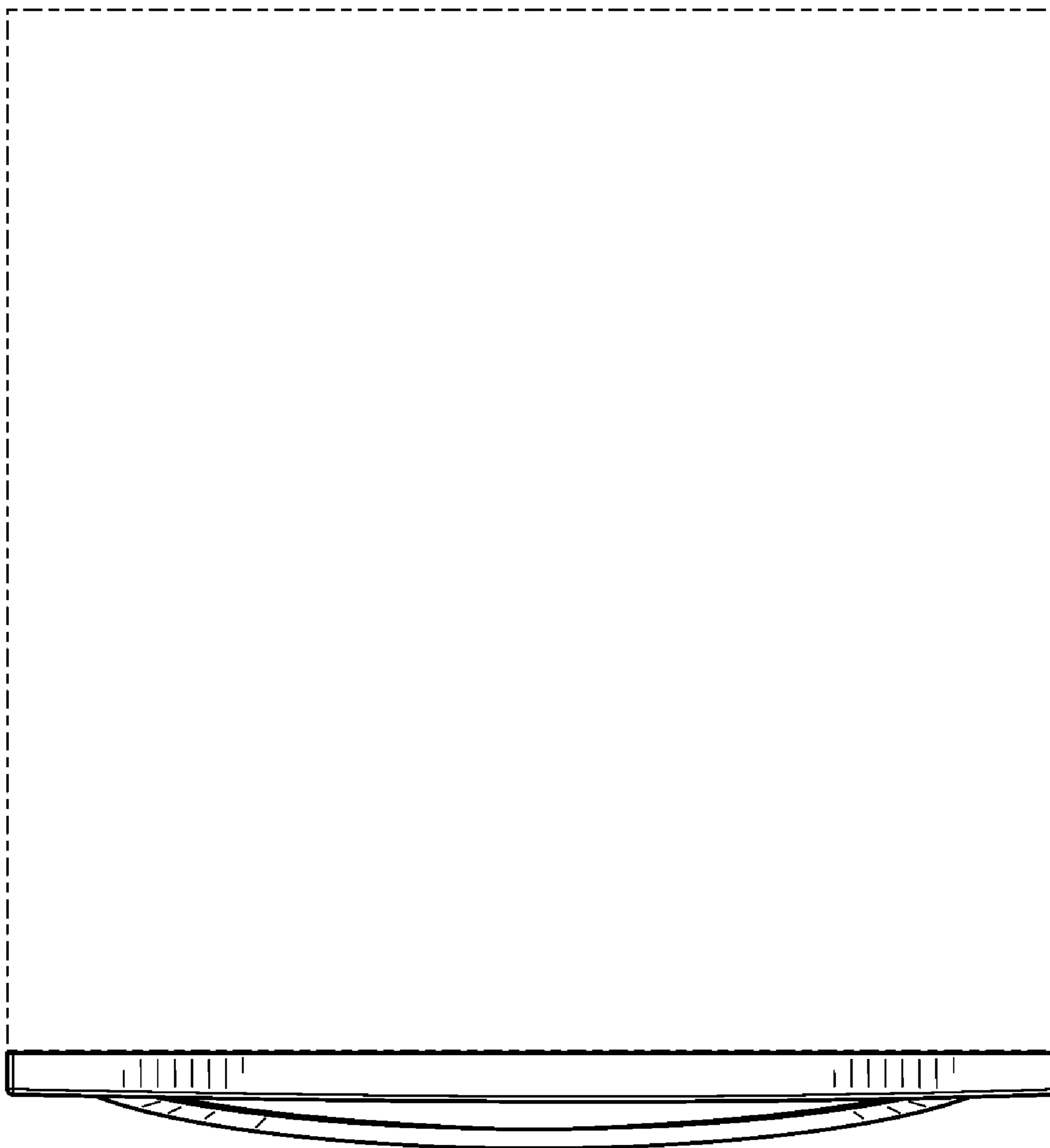
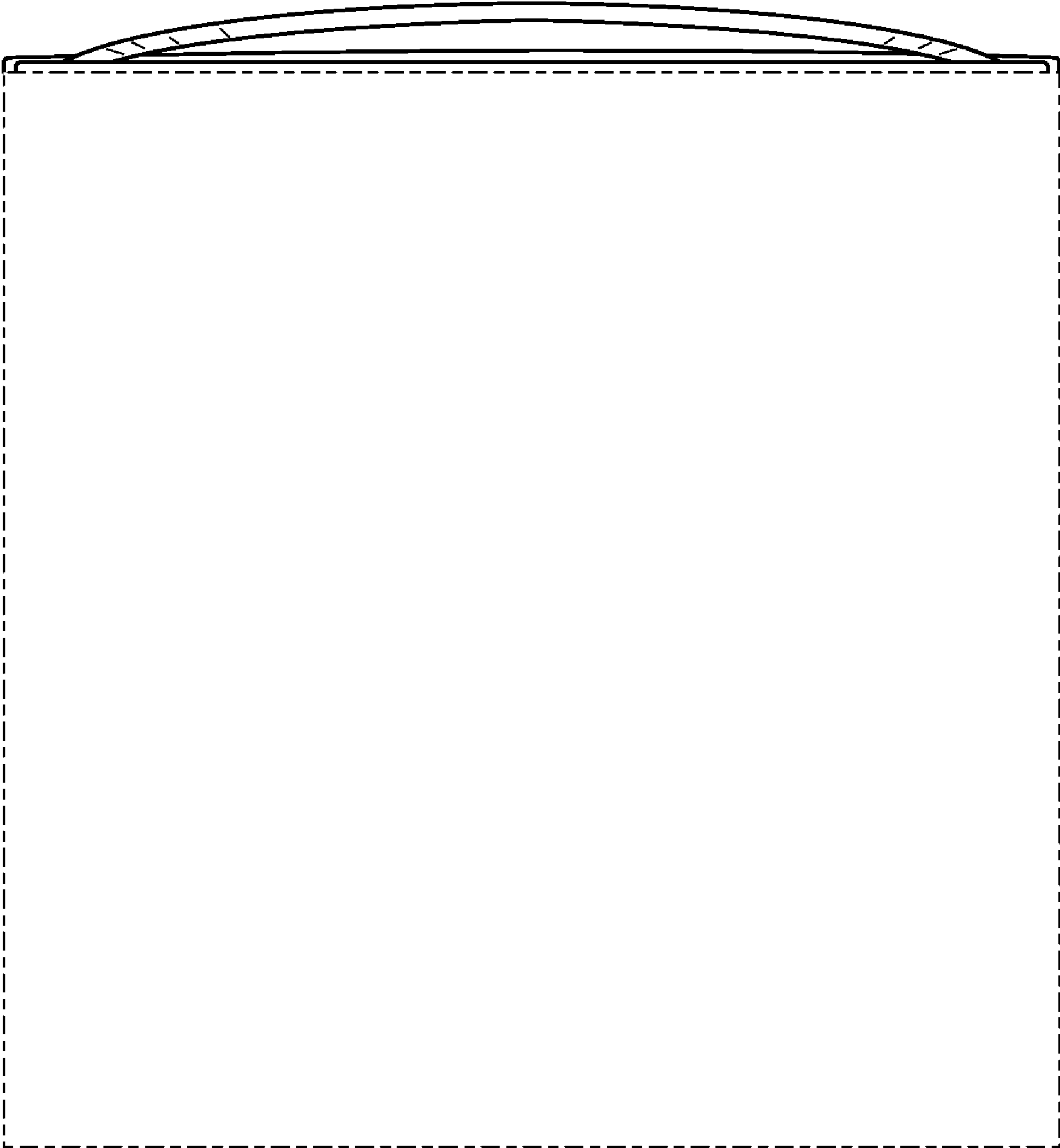


FIG. 5



**FIG. 6**