



US00D622913S

(12) **United States Design Patent**
Schroeder et al.

(10) **Patent No.:** **US D622,913 S**
(45) **Date of Patent:** **** Aug. 31, 2010**

(54) **PET LITTER BOX HOUSING WITH BED AND FOOD STATION**

(76) Inventors: **Kathryn K. Schroeder**, 1625 Town Commons Dr., Howell, MI (US) 48855;
Theodore A. Schroeder, 1625 Town Commons Dr., Howell, MI (US) 48855;
Margaret A. Schroeder, 620 Sugarbush Rd., Kewadin, MI (US) 49648

(**) Term: **14 Years**

(21) Appl. No.: **29/336,757**

(22) Filed: **May 8, 2009**

(51) **LOC (9) Cl.** **30-99**

(52) **U.S. Cl.** **D30/161; D30/108; D30/118; D30/129**

(58) **Field of Classification Search** **D30/108, D30/118, 121, 129, 130, 133, 161; 119/416, 119/28.5, 52.1, 61.5, 161-170**
See application file for complete search history.

(56) **References Cited**

U.S. PATENT DOCUMENTS

2,659,345	A *	11/1953	Herbert	119/28.5
D335,002	S *	4/1993	Read et al.	D30/108
5,678,509	A	10/1997	Dillon		
D534,321	S *	12/2006	Simpson et al.	D30/161

* cited by examiner

Primary Examiner—Mitchell I Siegel

(57) **CLAIM**

The ornamental design for a pet litter box housing with bed and food station, as shown and described.

DESCRIPTION

FIG. 1 is a front perspective view of a first embodiment of a pet litter box housing with bed and food station showing our new design;

FIG. 2 is a rear perspective view thereof;

FIG. 3 is a top plan view thereof;

FIG. 4 is a bottom plan view thereof;

FIG. 5 is a left side elevation view thereof;

FIG. 6 is a right side elevation view thereof;

FIG. 7 is a front elevation view thereof;

FIG. 8 is a rear elevation view thereof;

FIG. 9 is a right side elevation view of a second embodiment of a pet litter box housing with bed and food station showing our new design, the only difference in the second embodiment being the configuration of the right side, it being understood that all other surfaces are the same as those of the first embodiment;

FIG. 10 is a front perspective view of a third embodiment of a pet litter box housing with bed and food station showing our new design;

FIG. 11 is a top plan view thereof;

FIG. 12 is a bottom plan view thereof;

FIG. 13 is a right side elevation view thereof;

FIG. 14 is a left side elevation view thereof;

FIG. 15 is a front elevation view thereof;

FIG. 16 is a rear elevation view thereof;

FIG. 17 is a front perspective view of a fourth embodiment of a pet litter box housing with bed and food station showing our new design;

FIG. 18 is a top plan view thereof;

FIG. 19 is a bottom plan view thereof;

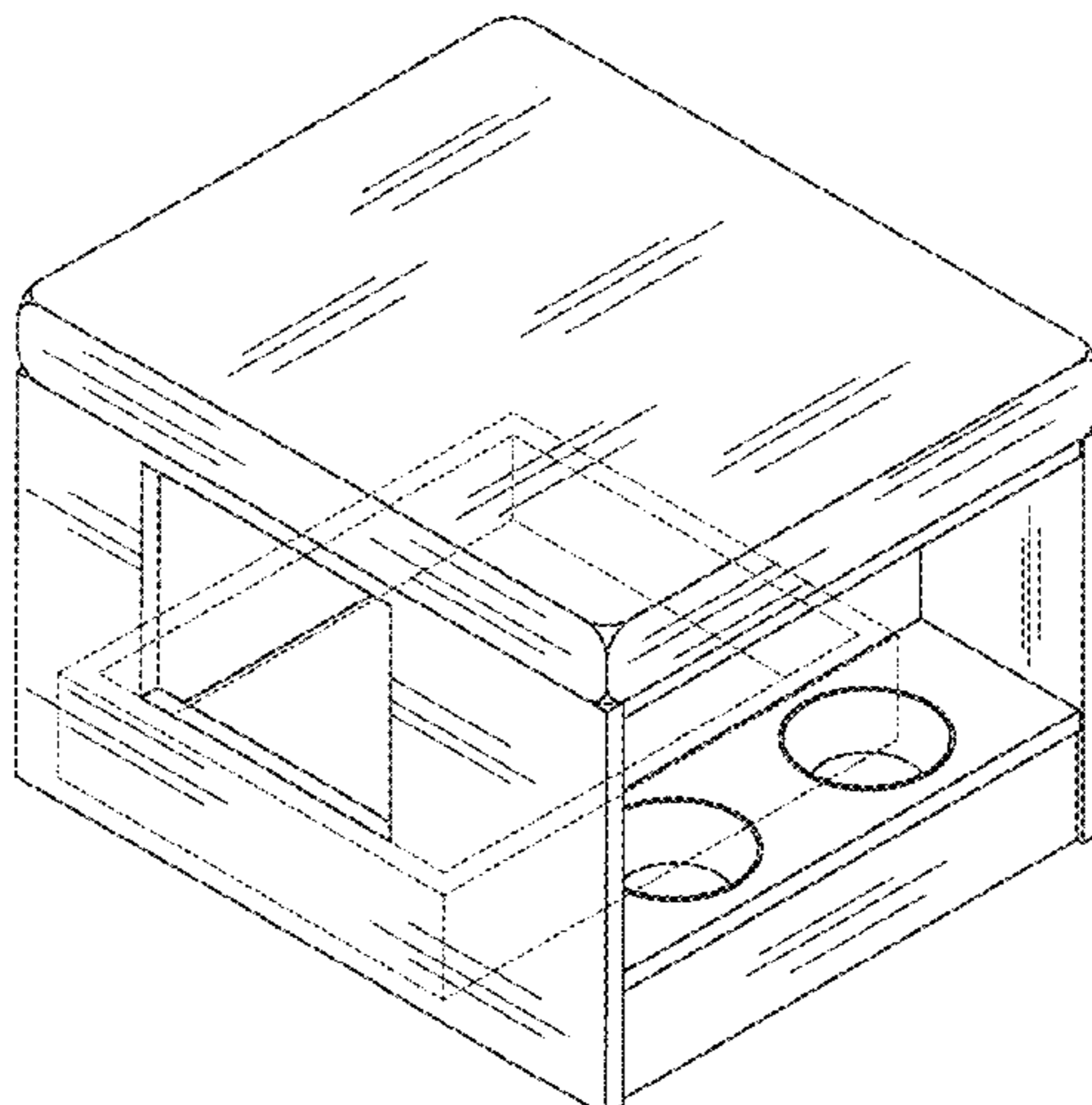
FIG. 20 is a front elevation view thereof;

FIG. 21 is a rear elevation view thereof; and,

FIG. 22 is a right side elevation view thereof, the left side elevation view being identical thereto.

The broken lines shown in the drawings are for environmental purposes only and form no part of the claimed design.

1 Claim, 14 Drawing Sheets



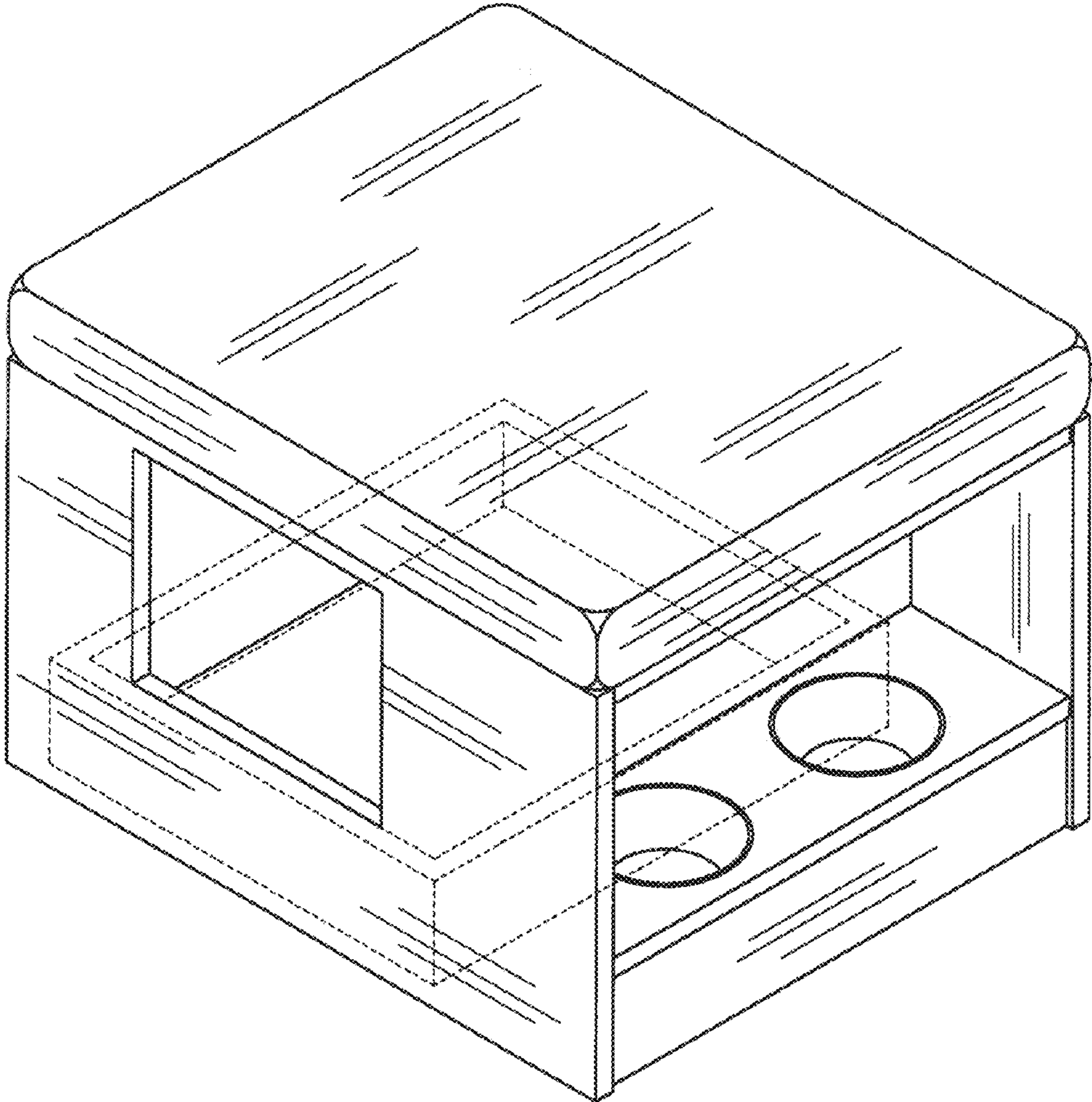


FIG. 1

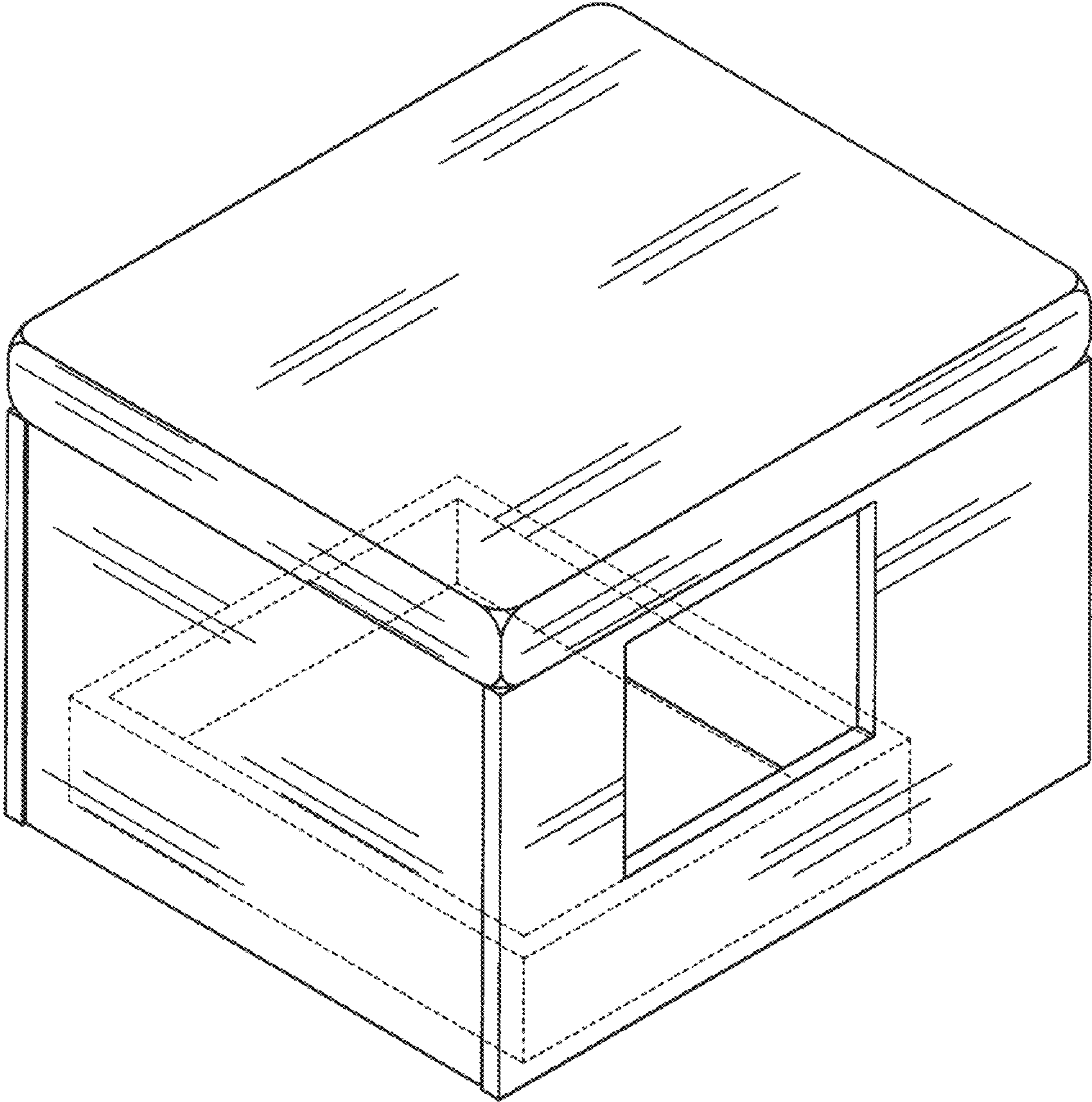


FIG. 2

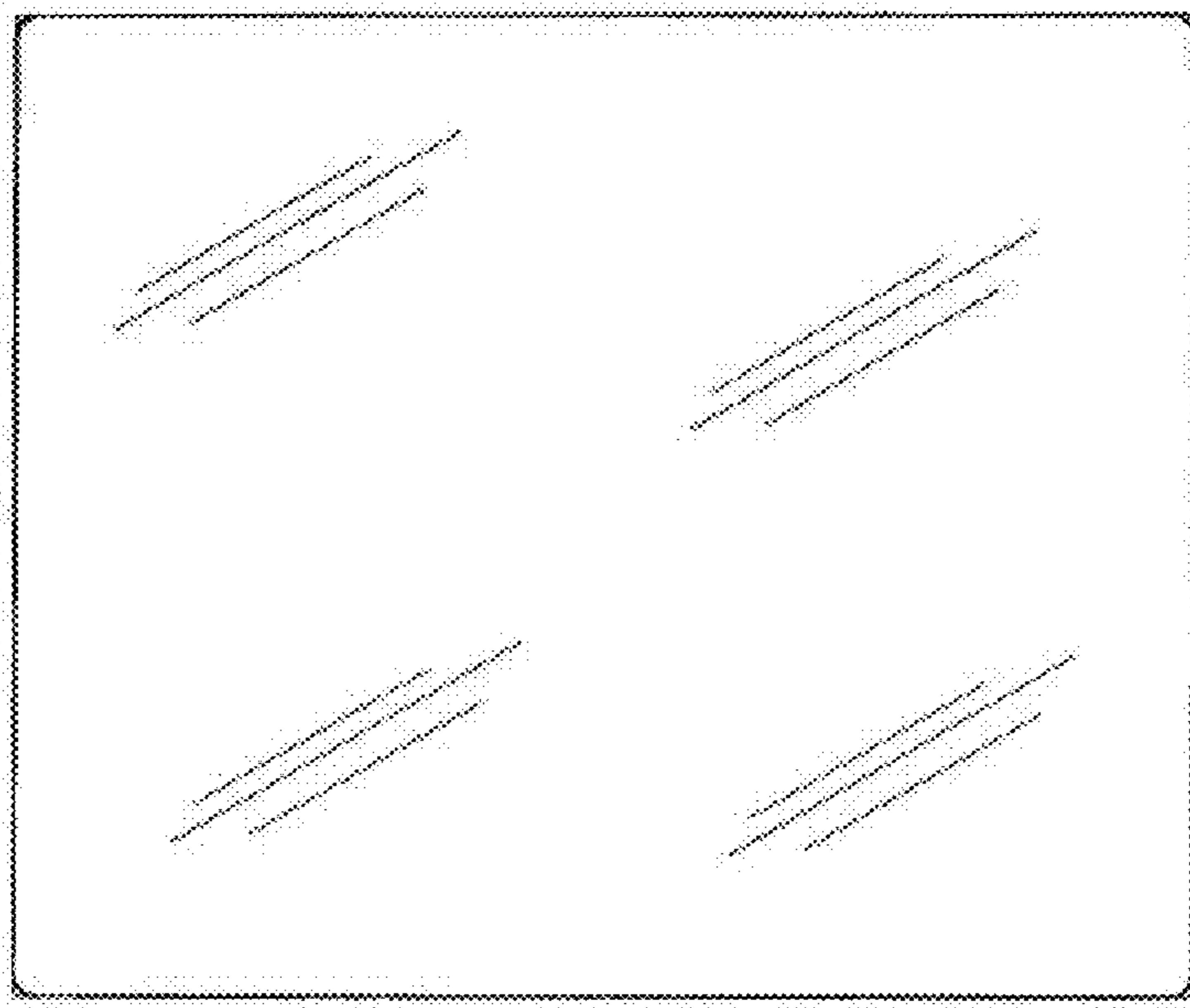


FIG. 3

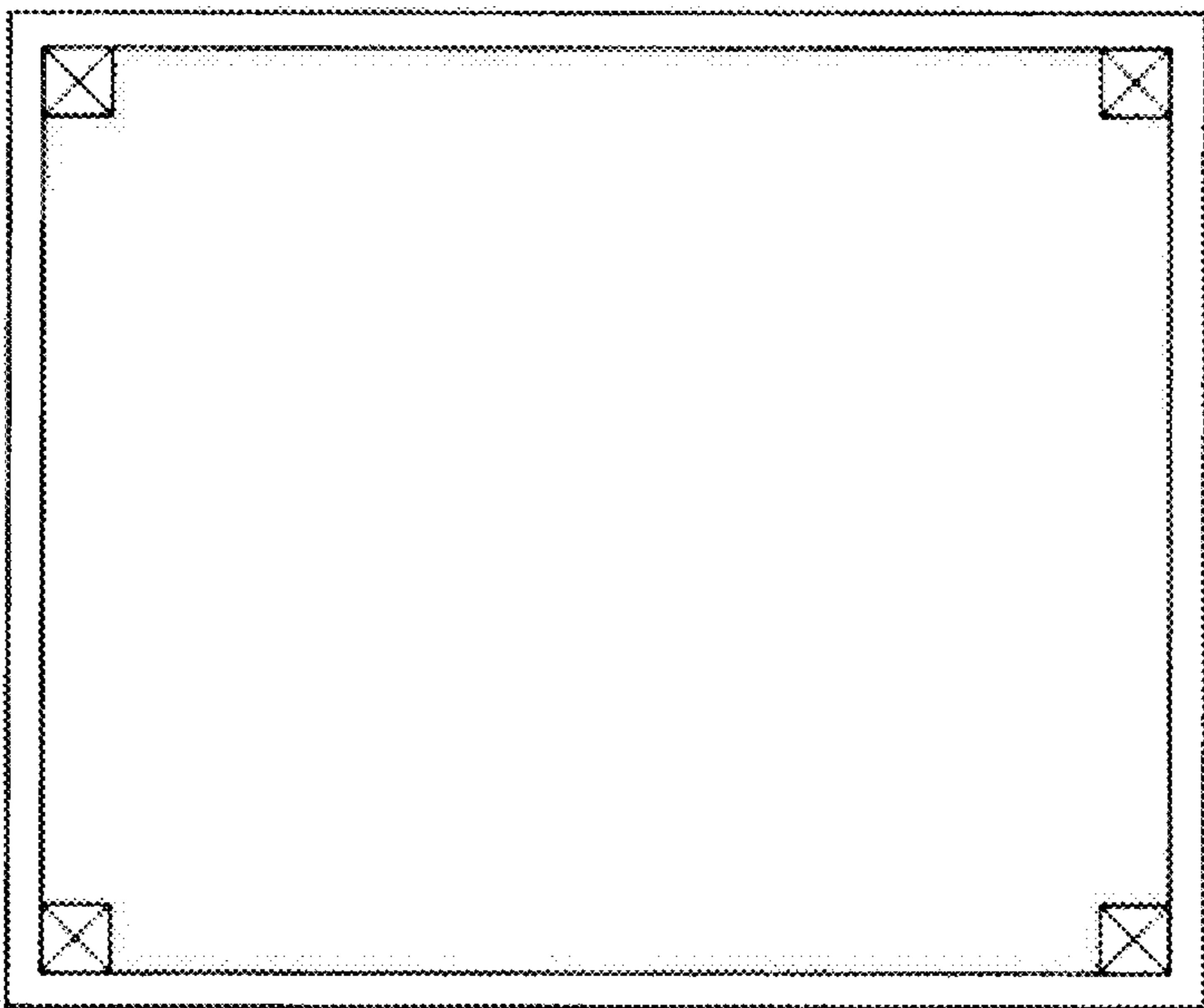


FIG. 4

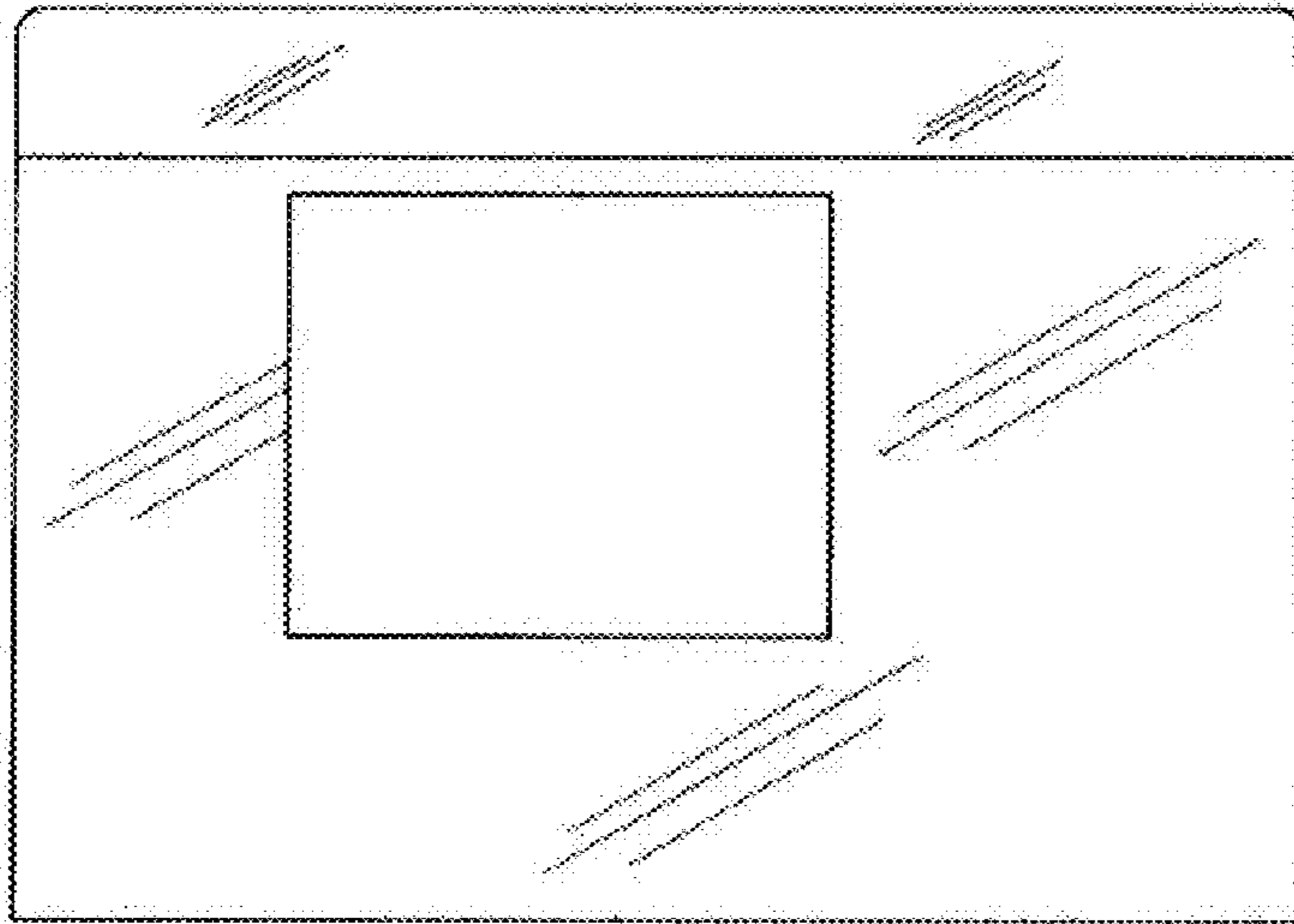


FIG. 5

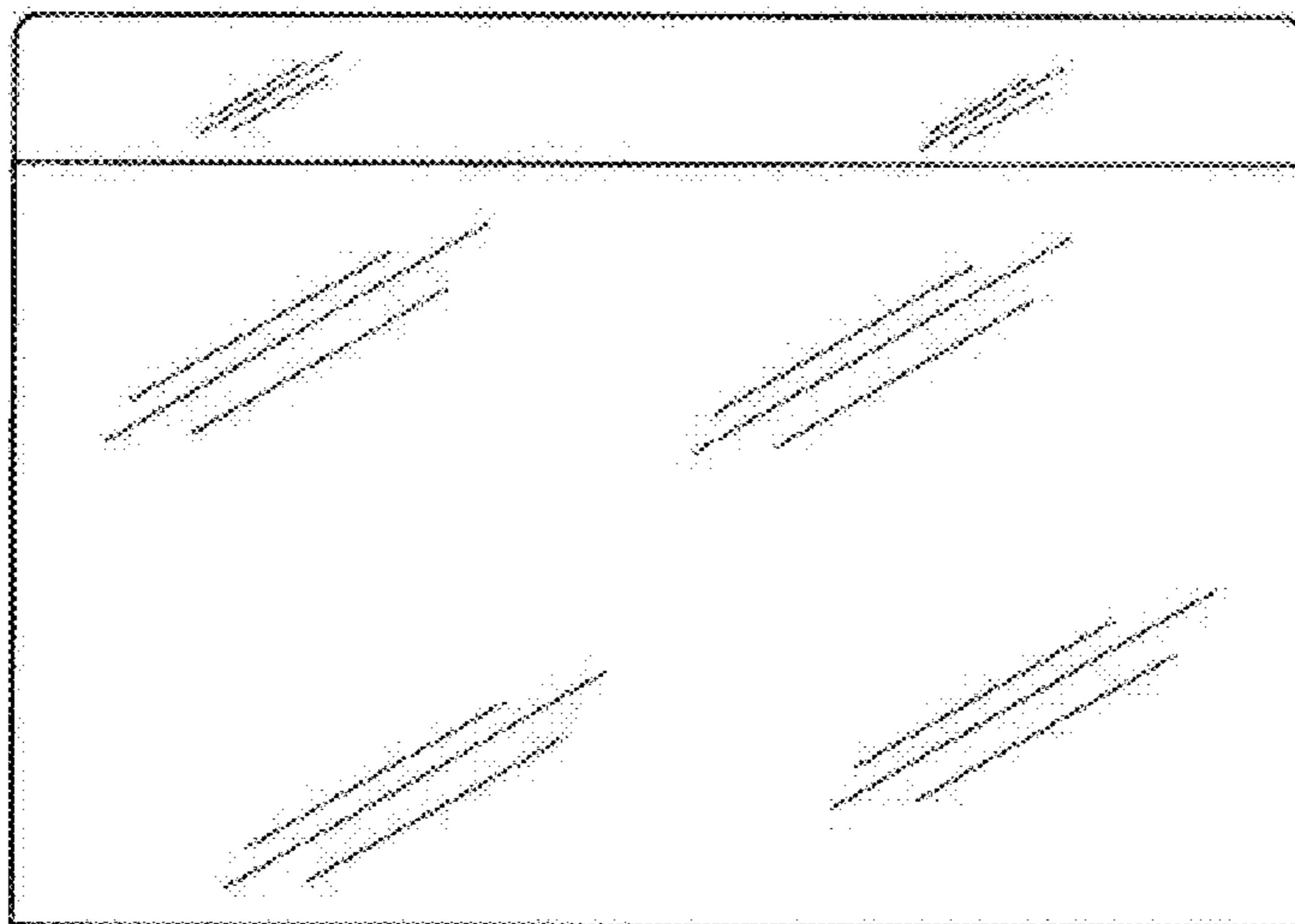


FIG. 6

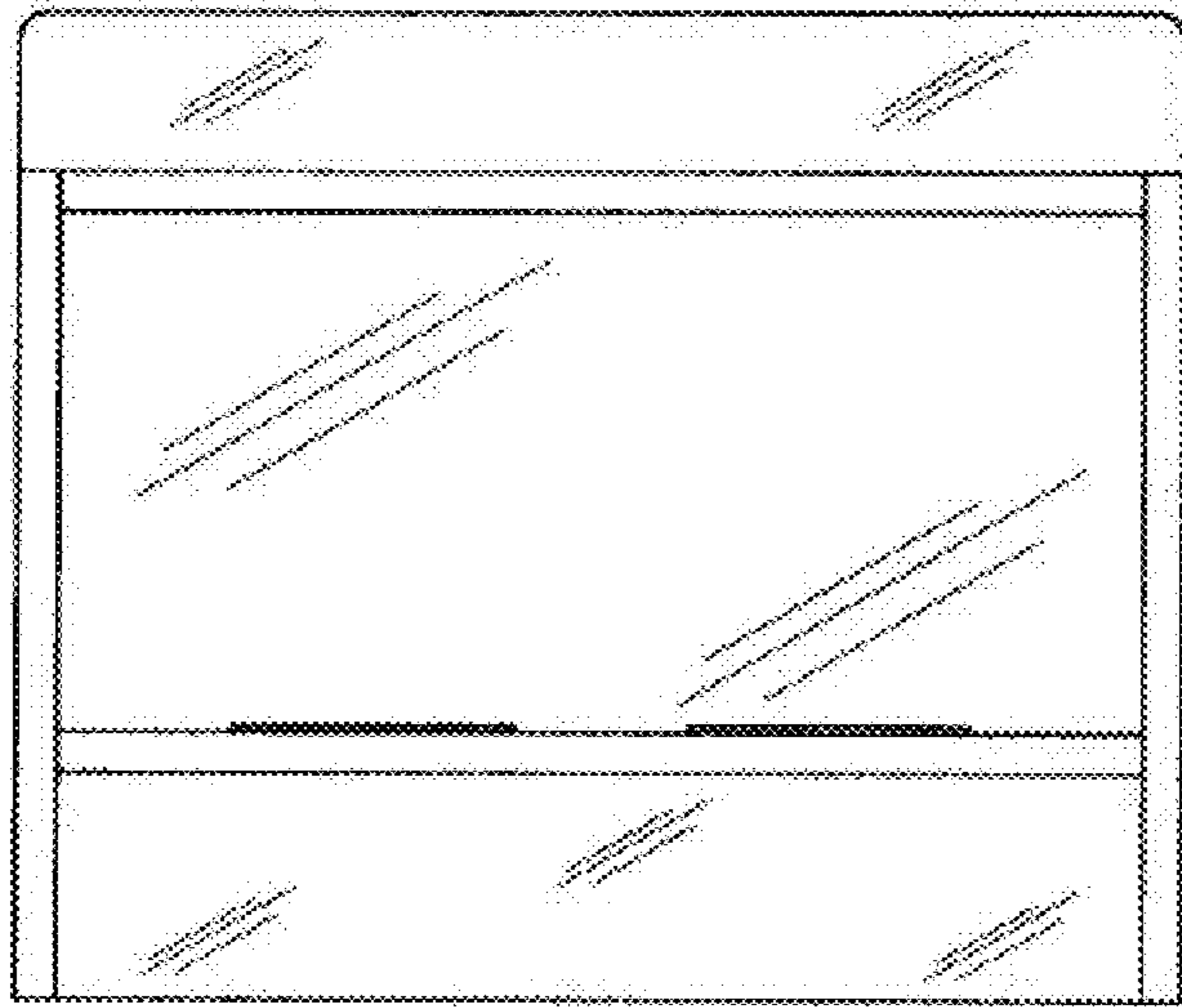


FIG. 7

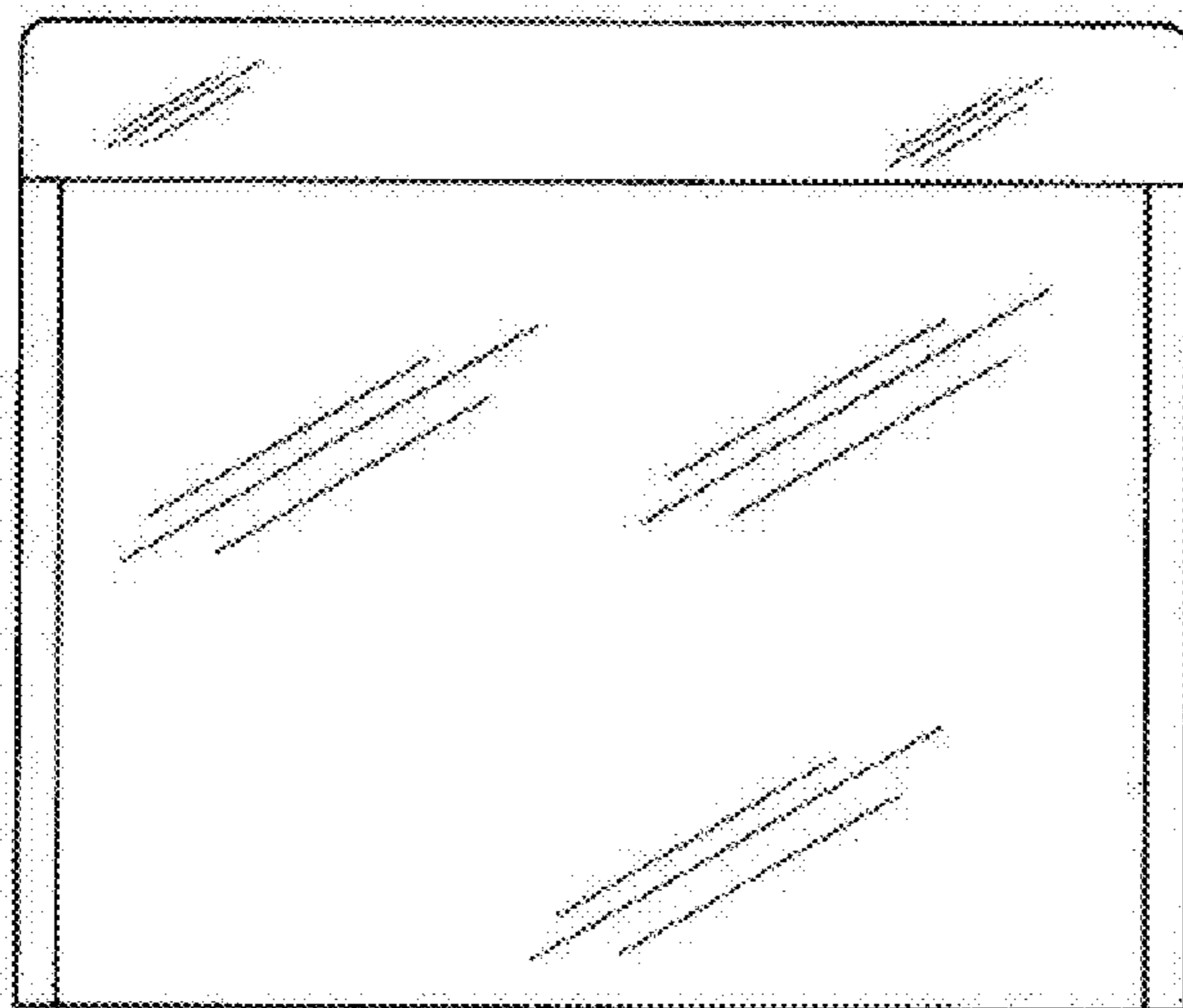


FIG. 8

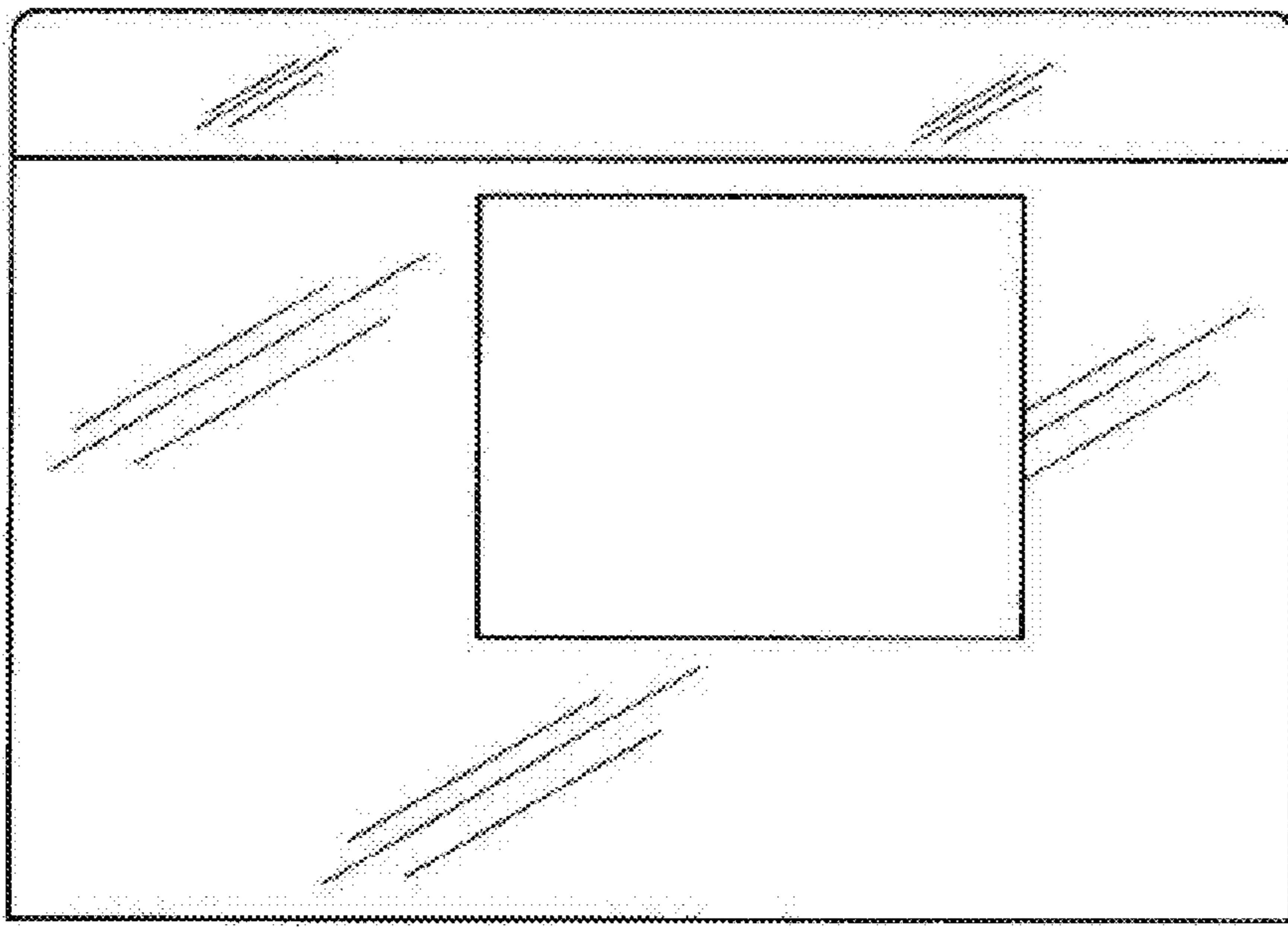


FIG. 9

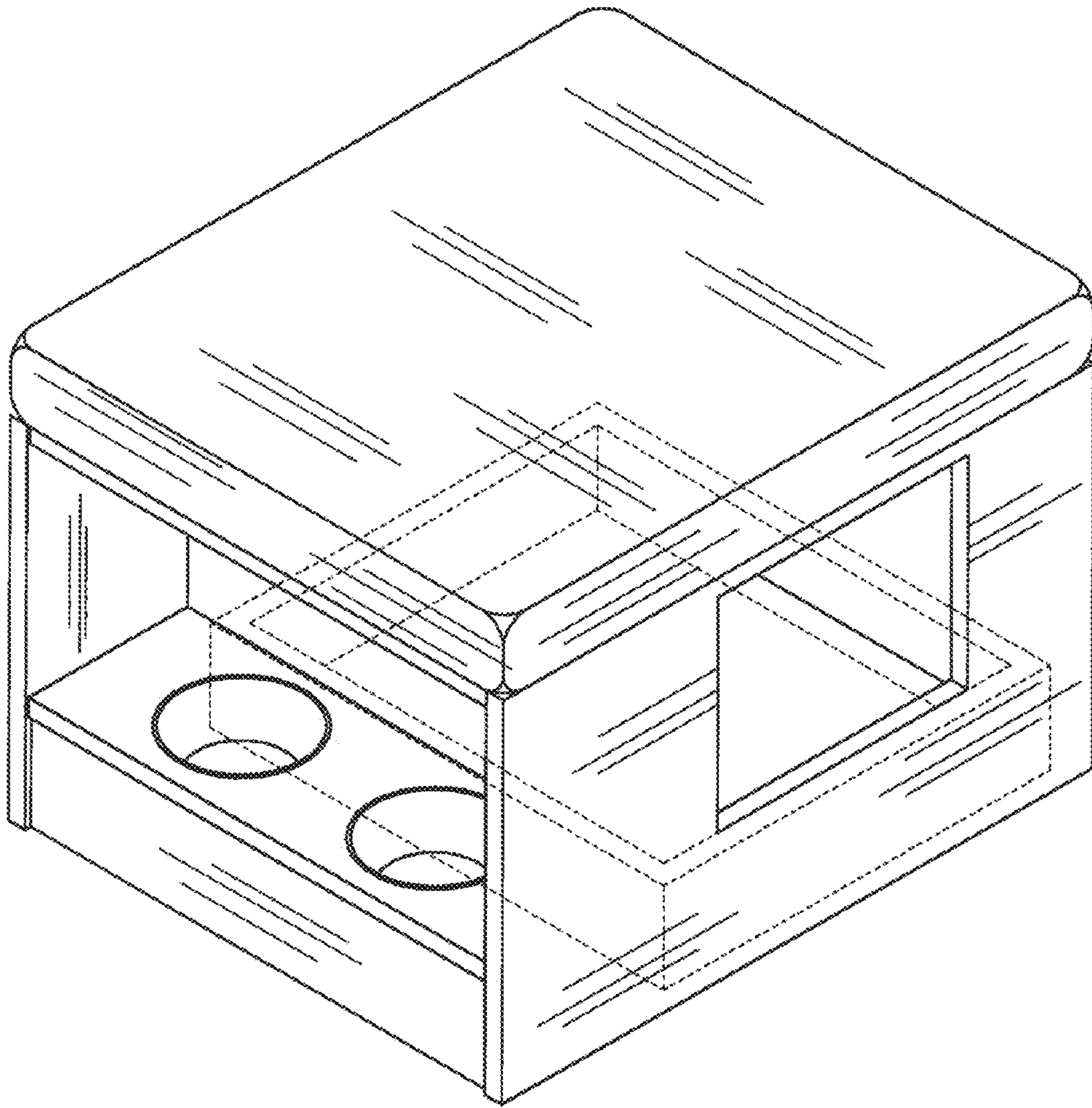


FIG. 10

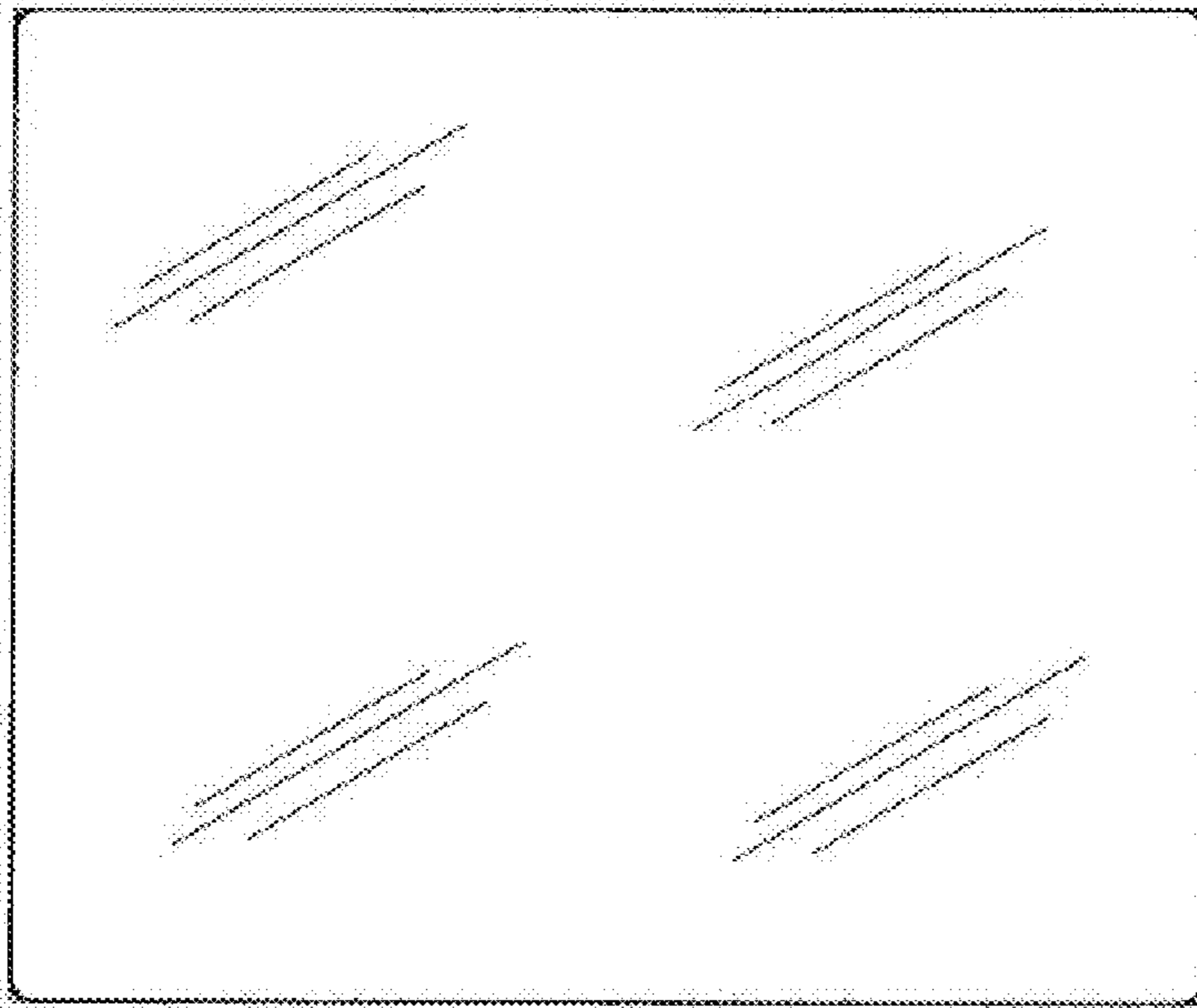


FIG. 11

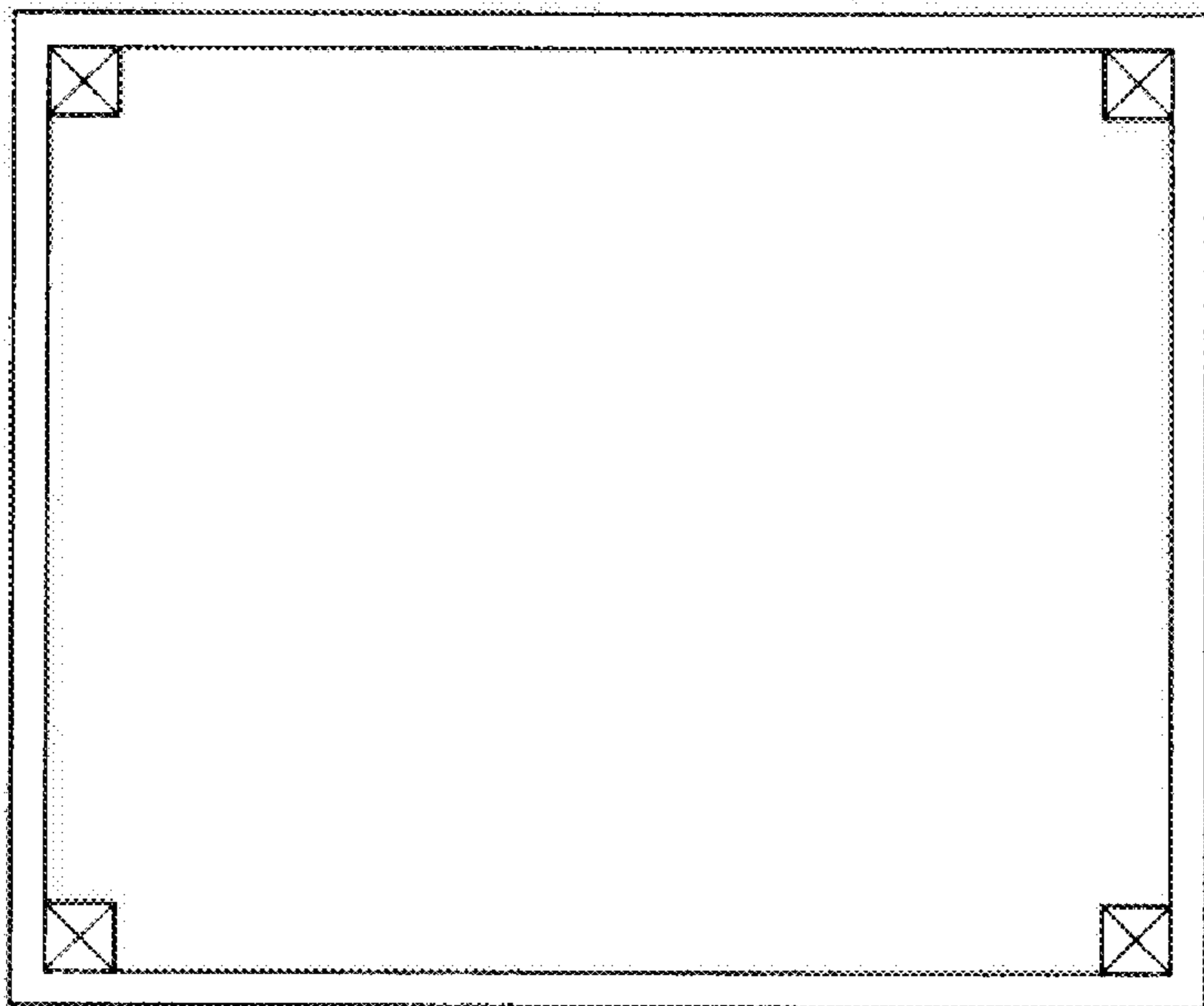


FIG. 12

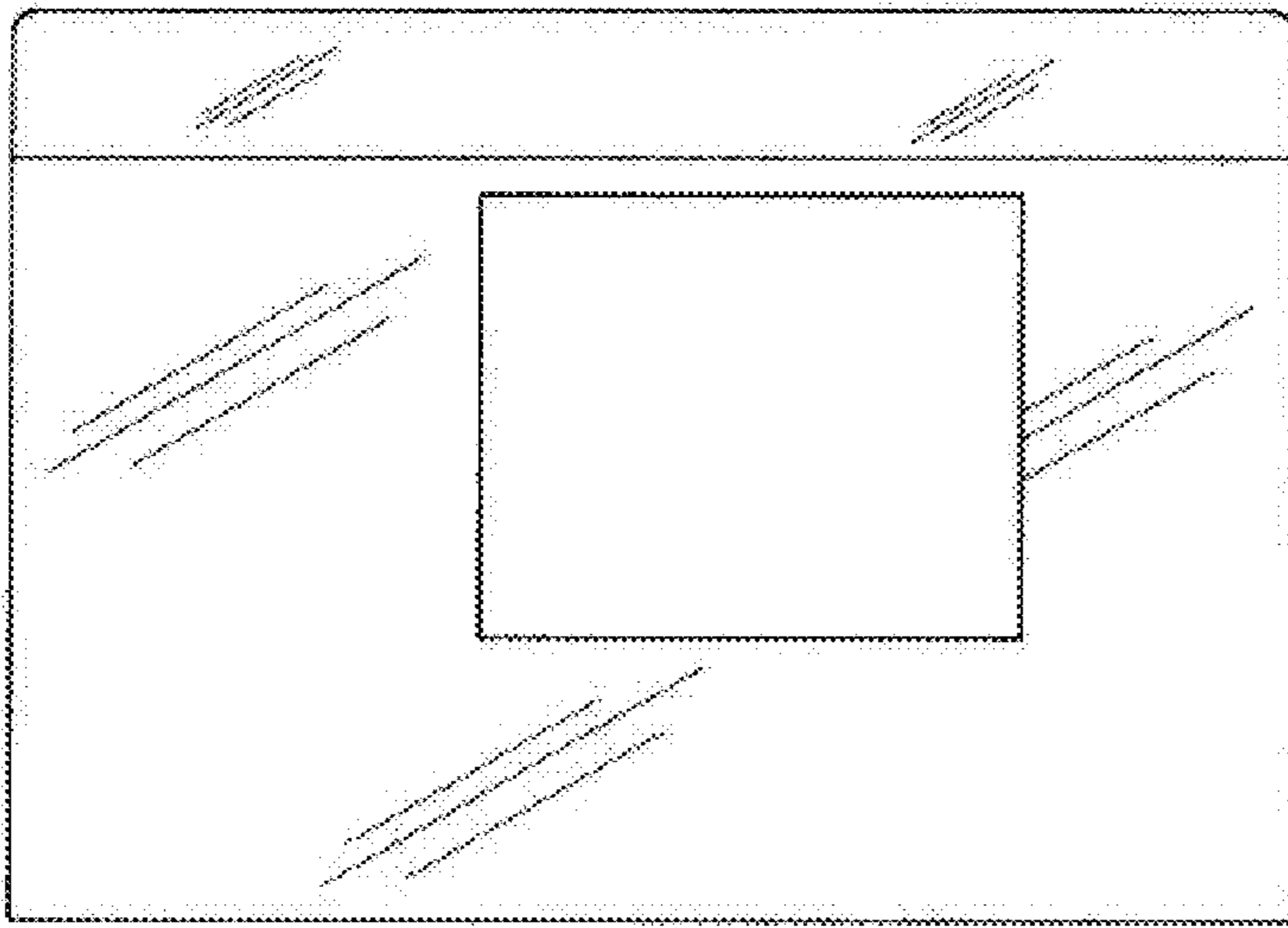


FIG. 13

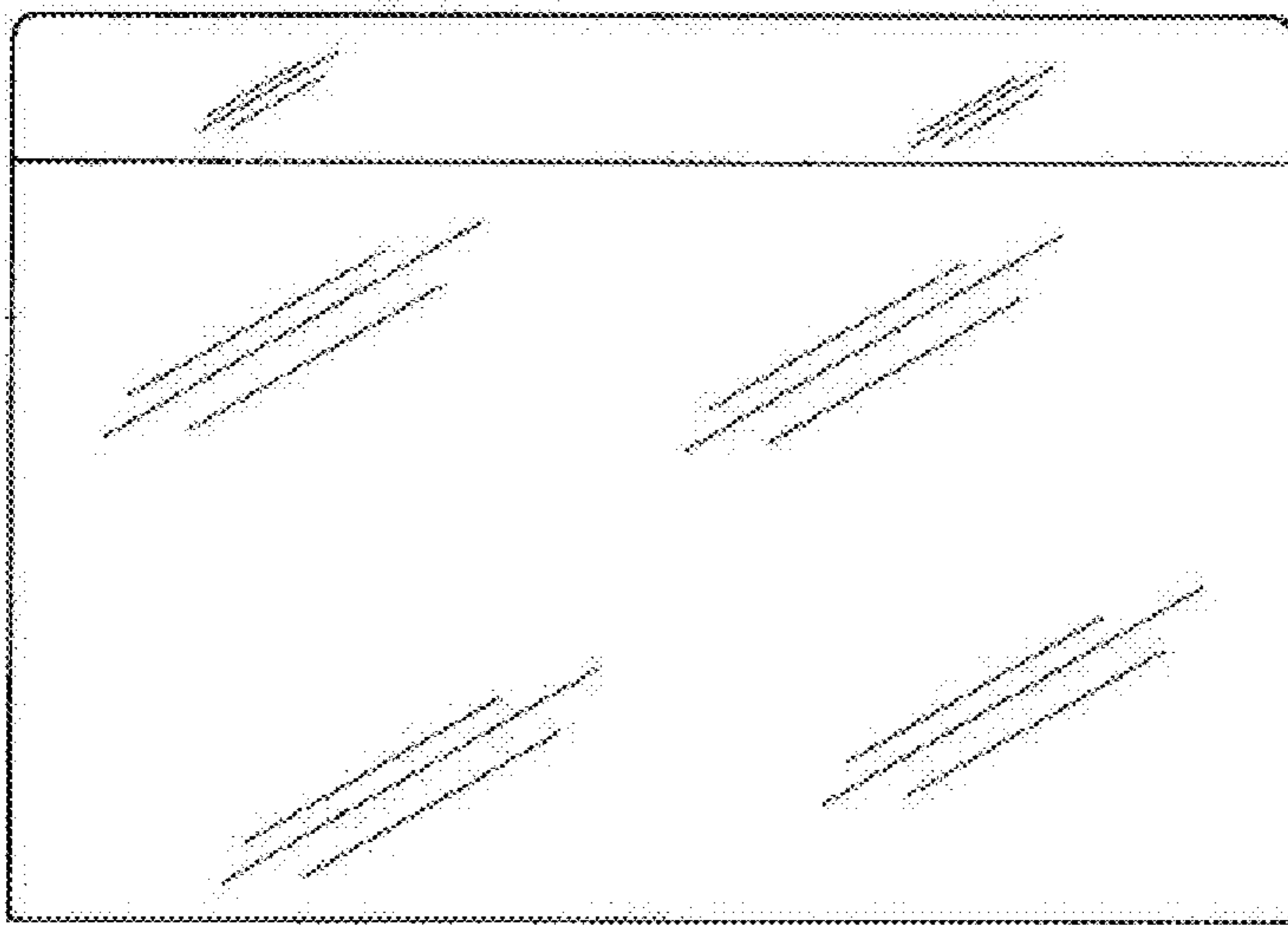


FIG. 14

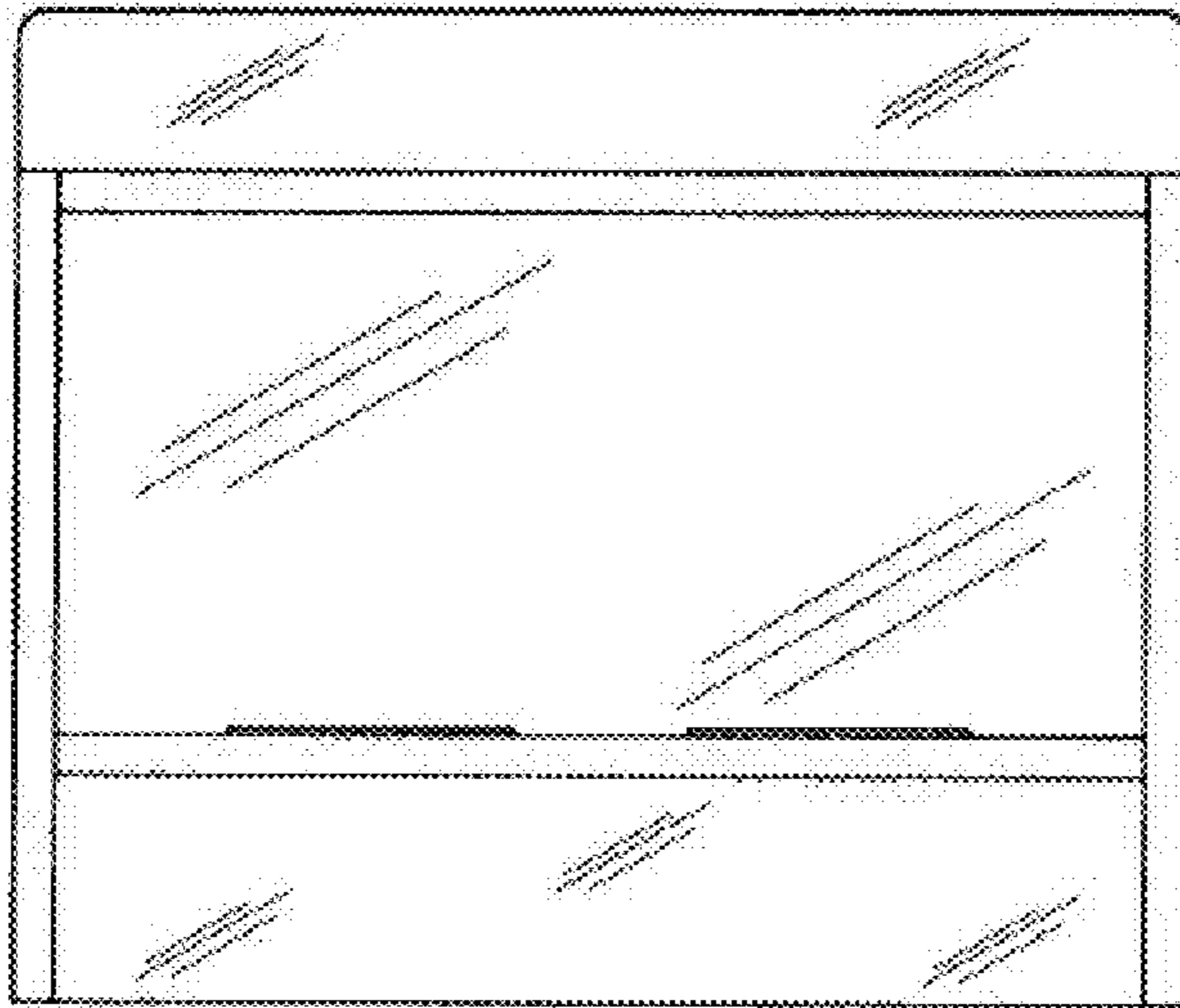


FIG. 15

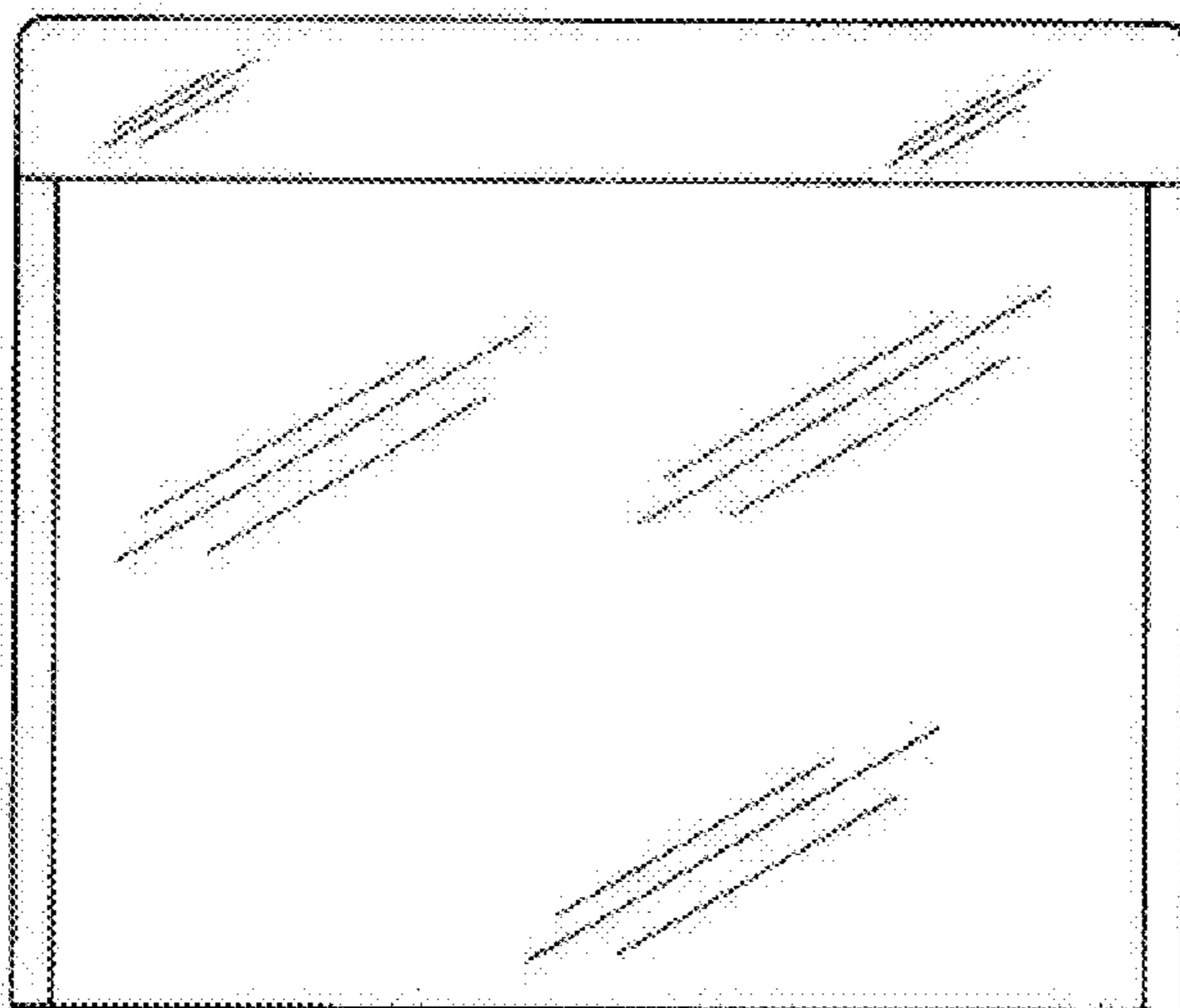


FIG. 16

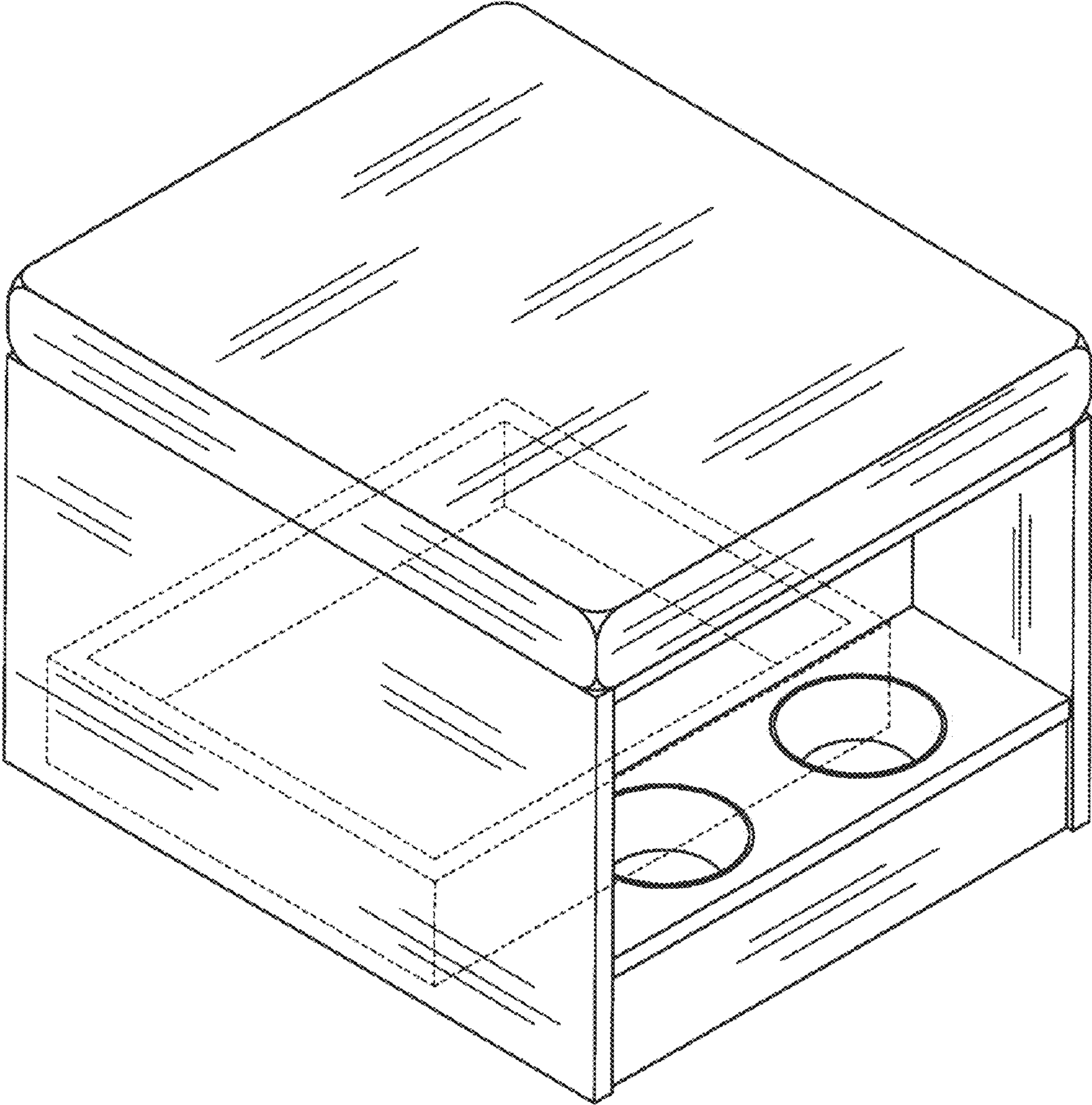


FIG. 17

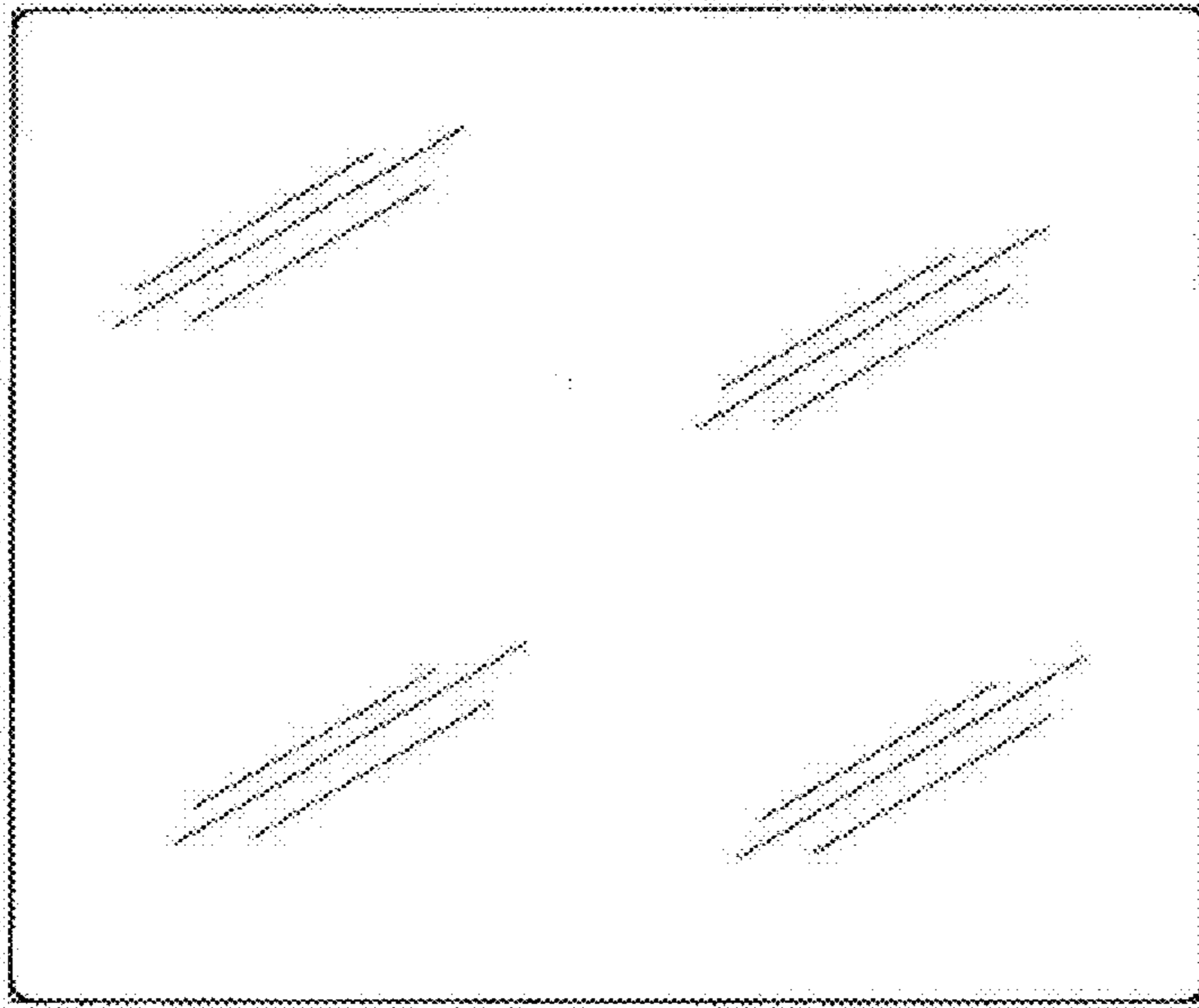


FIG. 18

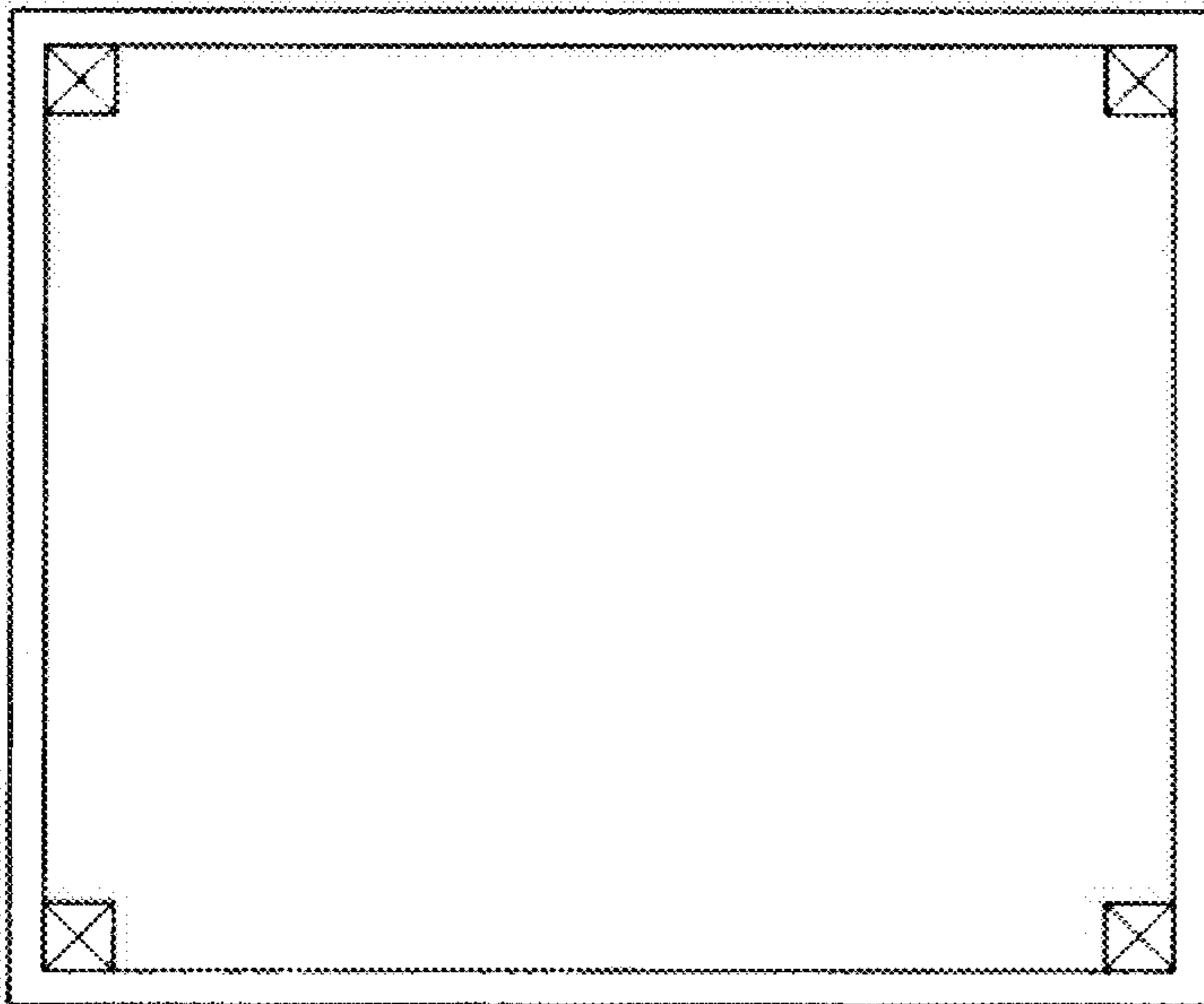


FIG. 19

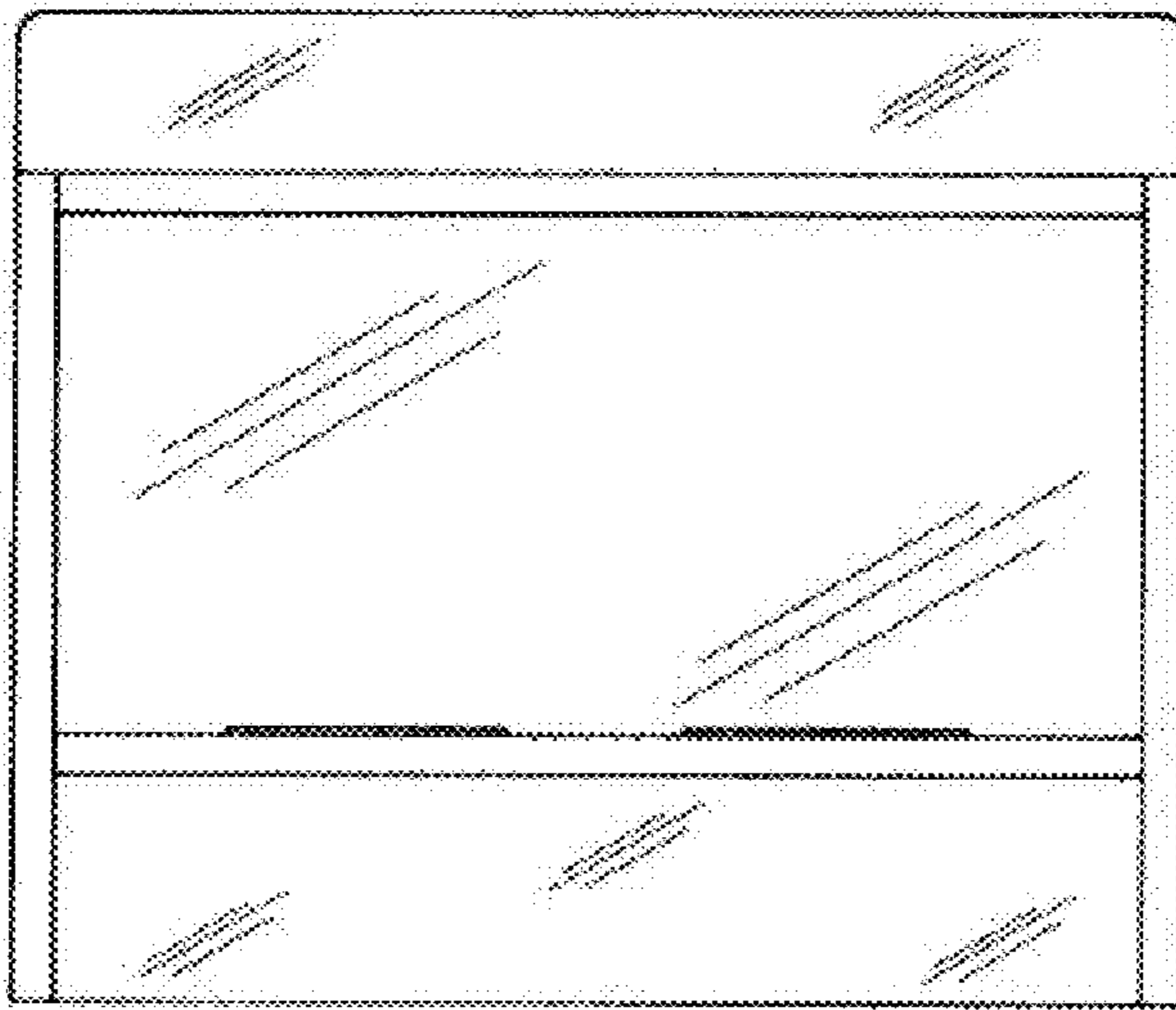


FIG. 20

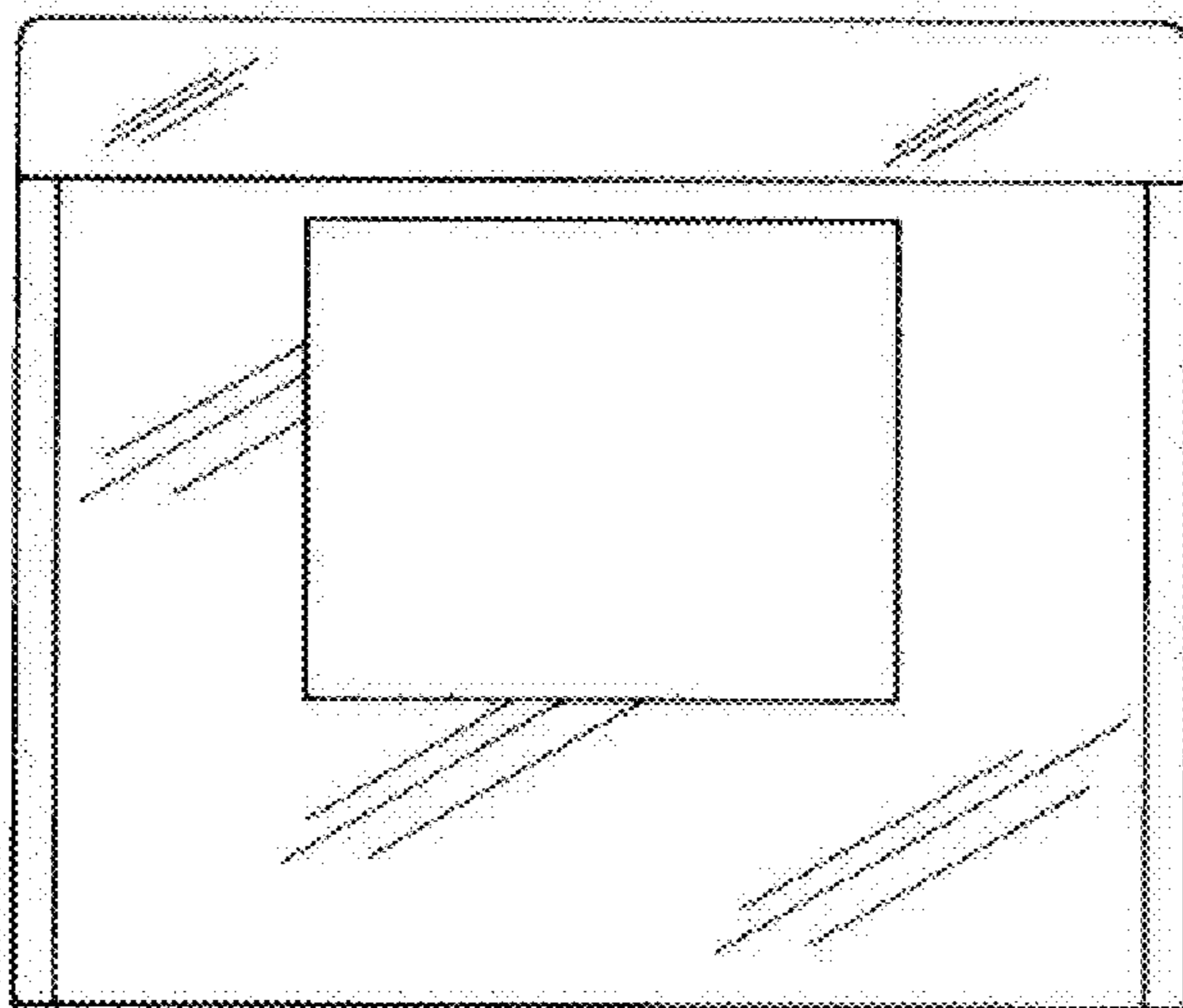


FIG. 21

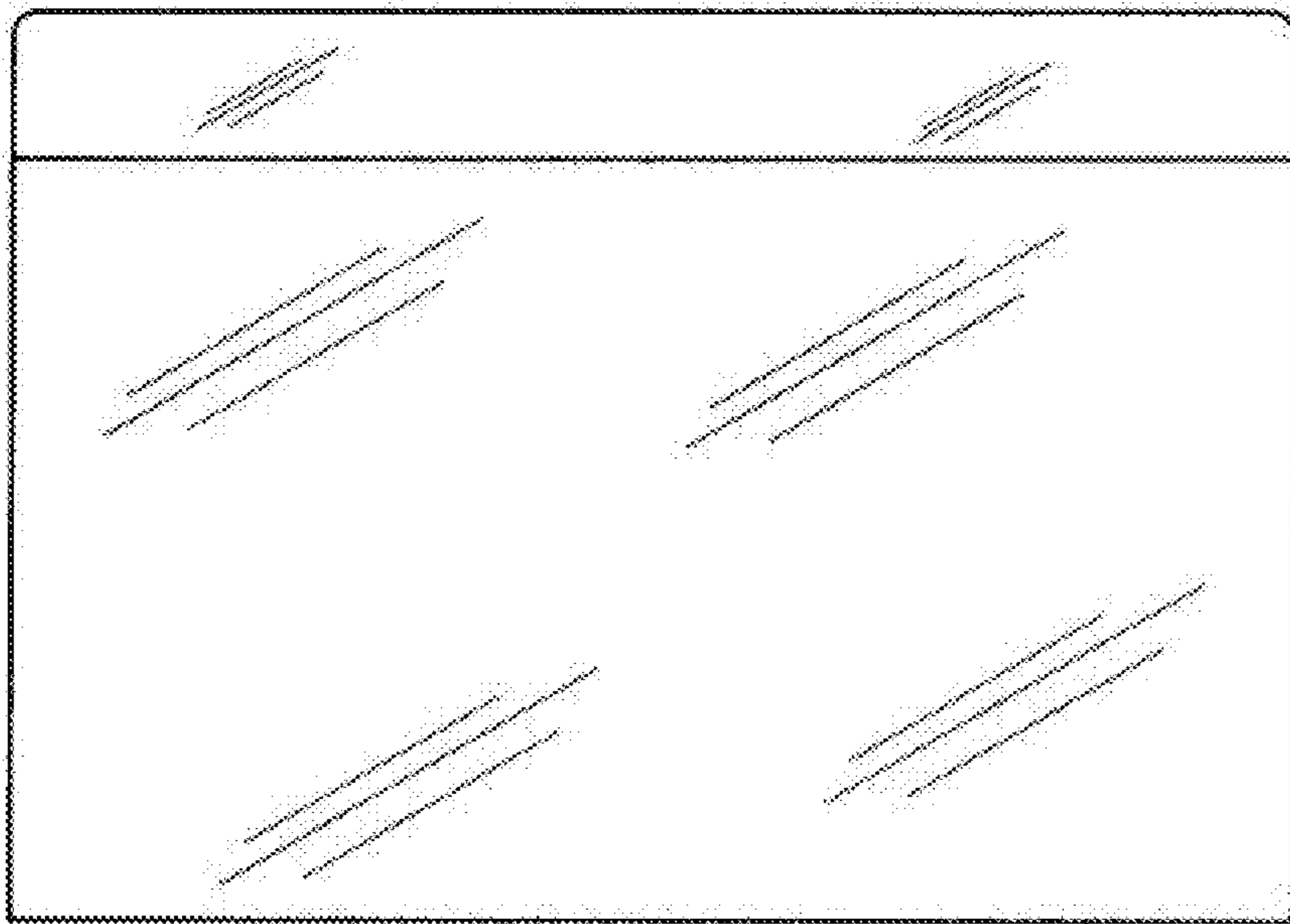


FIG. 22