



US00D622912S

(12) **United States Design Patent**
Kanigchulatar

(10) **Patent No.:** **US D622,912 S**

(45) **Date of Patent:** **** Aug. 31, 2010**

(54) **COVER FOR ANIMAL LITTER TRAY**

(76) **Inventor:** **Daniel Kanigchulatar**, Moshav
Merchavia (IL) 19105

(**) **Term:** **14 Years**

(21) **Appl. No.:** **29/311,587**

(22) **Filed:** **Apr. 24, 2009**

(51) **LOC (9) Cl.** **30-99**

(52) **U.S. Cl.** **D30/161**

(58) **Field of Classification Search** D30/161,
D30/199, 106-107; 119/473, 161-170

See application file for complete search history.

(56) **References Cited**

U.S. PATENT DOCUMENTS

D349,366 S *	8/1994	Kuhn et al.	D30/108
D473,352 S *	4/2003	Neves	D30/161
D491,700 S *	6/2004	Abajian	D30/161
D514,754 S *	2/2006	Northrop et al.	D30/161

* cited by examiner

Primary Examiner—Mitchell I Siegel

(57) **CLAIM**

The ornamental design for a cover for animal litter tray, as shown and described.

DESCRIPTION

FIG. 1 is a front elevational view of the light cover for an animal litter tray;

FIG. 2 is a back elevational view thereof;

FIG. 3 is a left elevational view thereof;

FIG. 4 is a right elevational view thereof;

FIG. 5 is a top elevational view thereof;

FIG. 6 is a bottom elevational view thereof;

FIG. 7 is a perspective view towards the front and left sides of the cover for animal litter tray of which the front portion of the curtain is partially lifted;

FIG. 8 is a perspective view towards the front and right sides of the cover for animal litter tray of which the front segment of the curtain is partially lifted from the opposite side shown in FIG. 7; and,

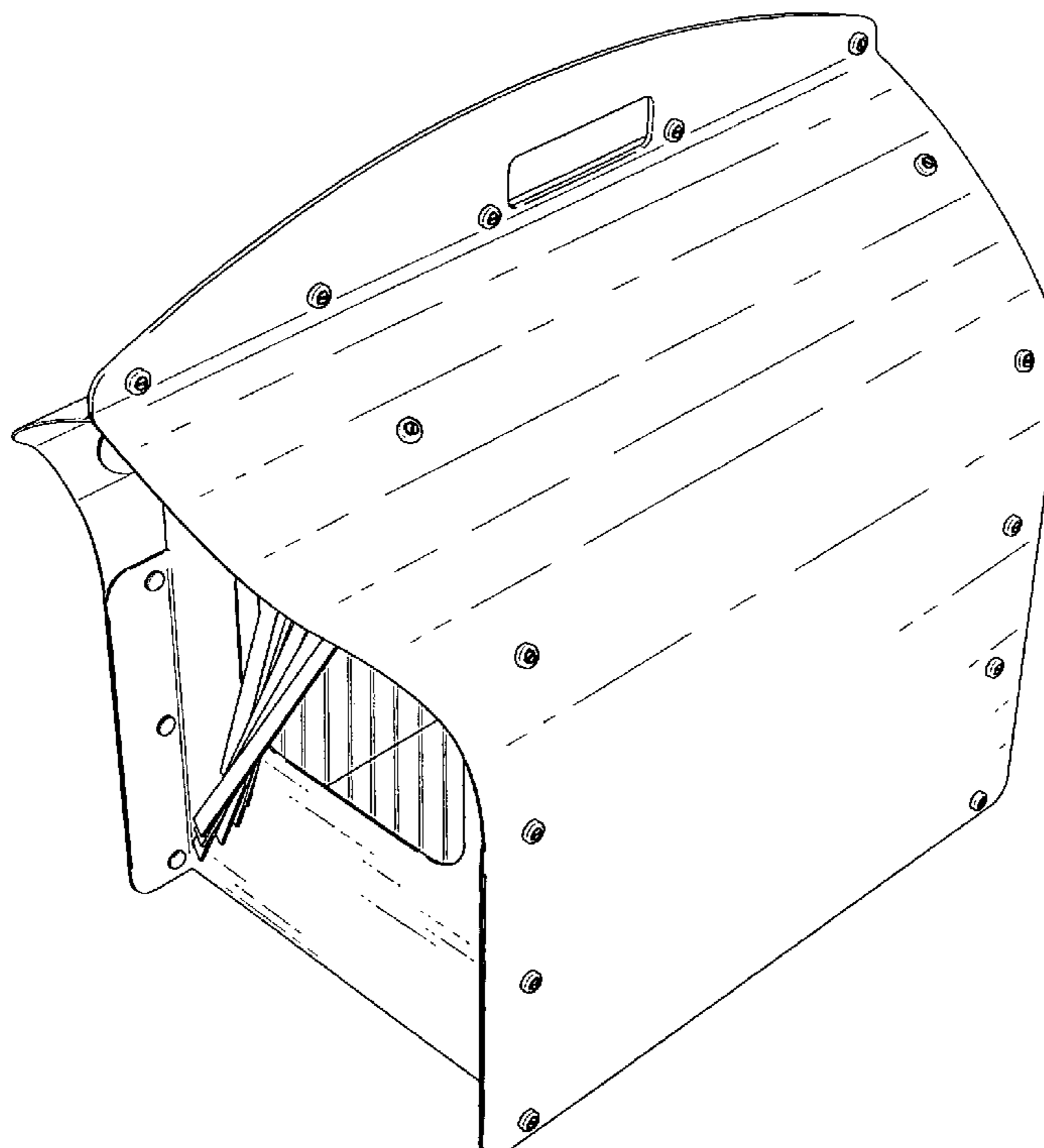
FIG. 9 is a perspective view towards the back and left sides thereof.

Rounded top and relatively high structure of the cover of the invention provide a pet using the litter tray with a relatively spacious room enclosed therein. Apertures cut through the sidewalls which are inwardly bended at their topsides provide for lifting the cover while gripping the holding aperture placed above the rounded top of the cover.

Rivets connecting the sidewalls of the cover provide for easy assembling for use and/or dismantling into four planar sheets that can be conveniently stored.

Covering and reducing the level of odors emitted off an animal litter tray.

1 Claim, 9 Drawing Sheets



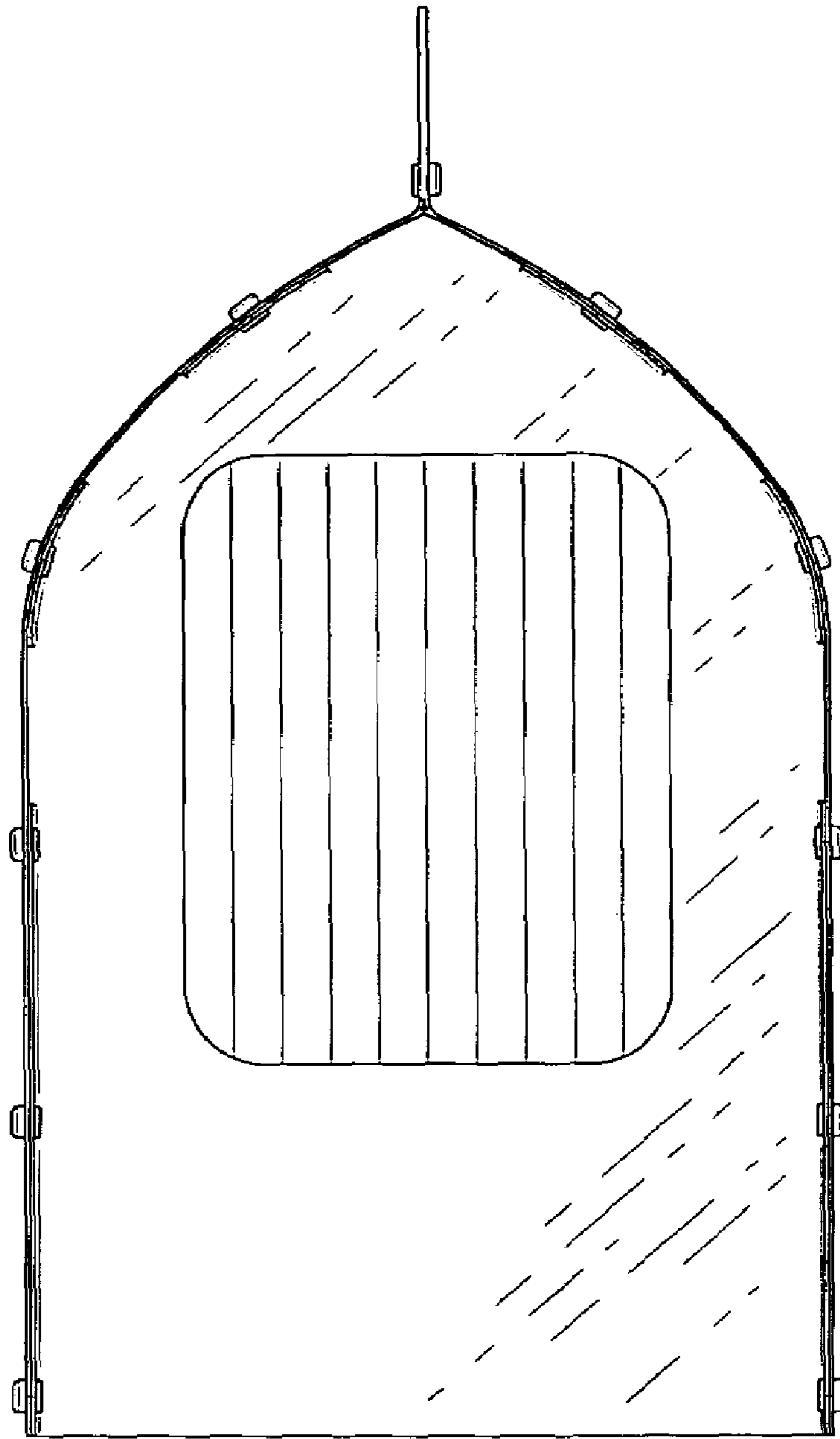


Fig. 1

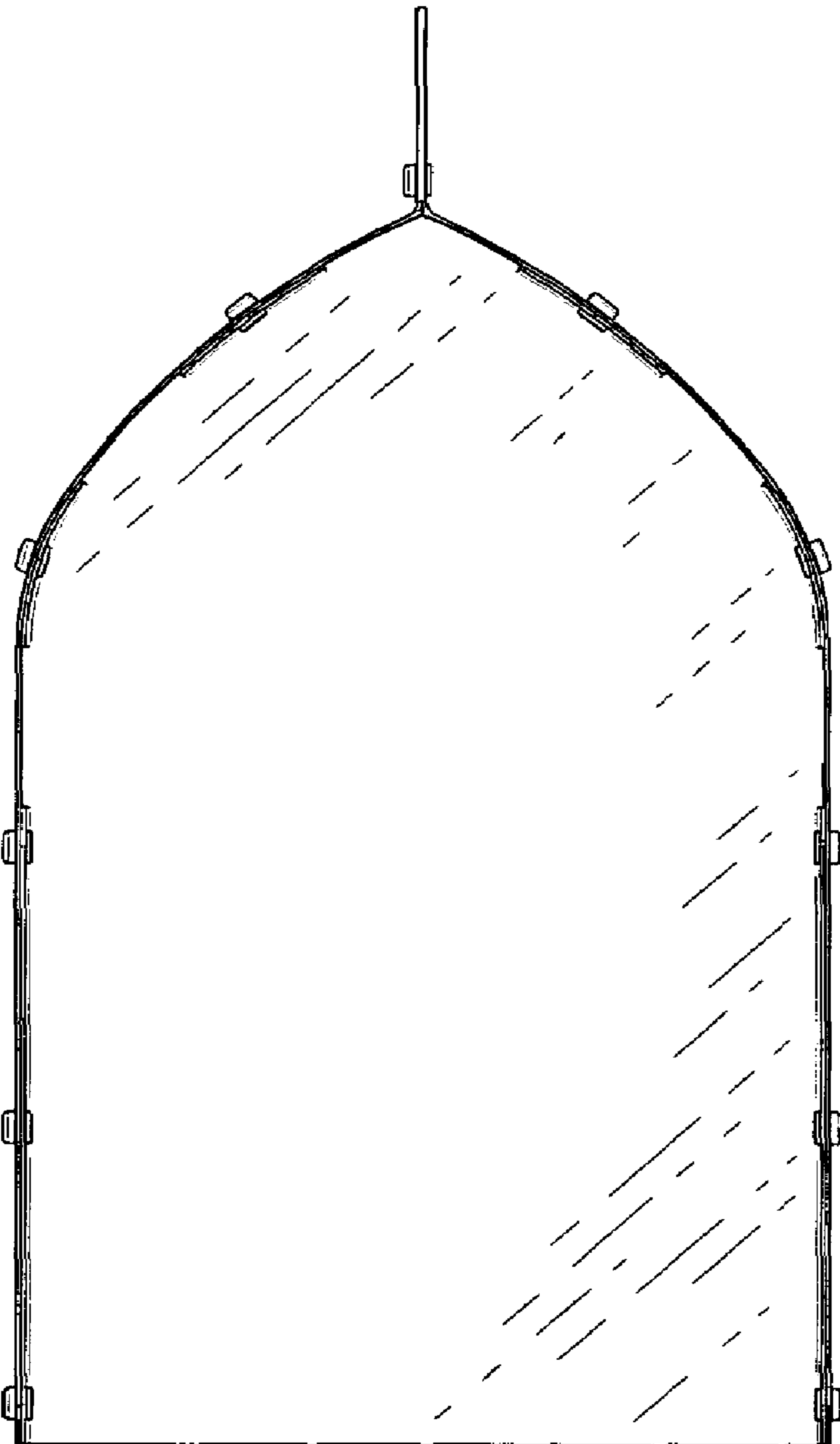


Fig. 2

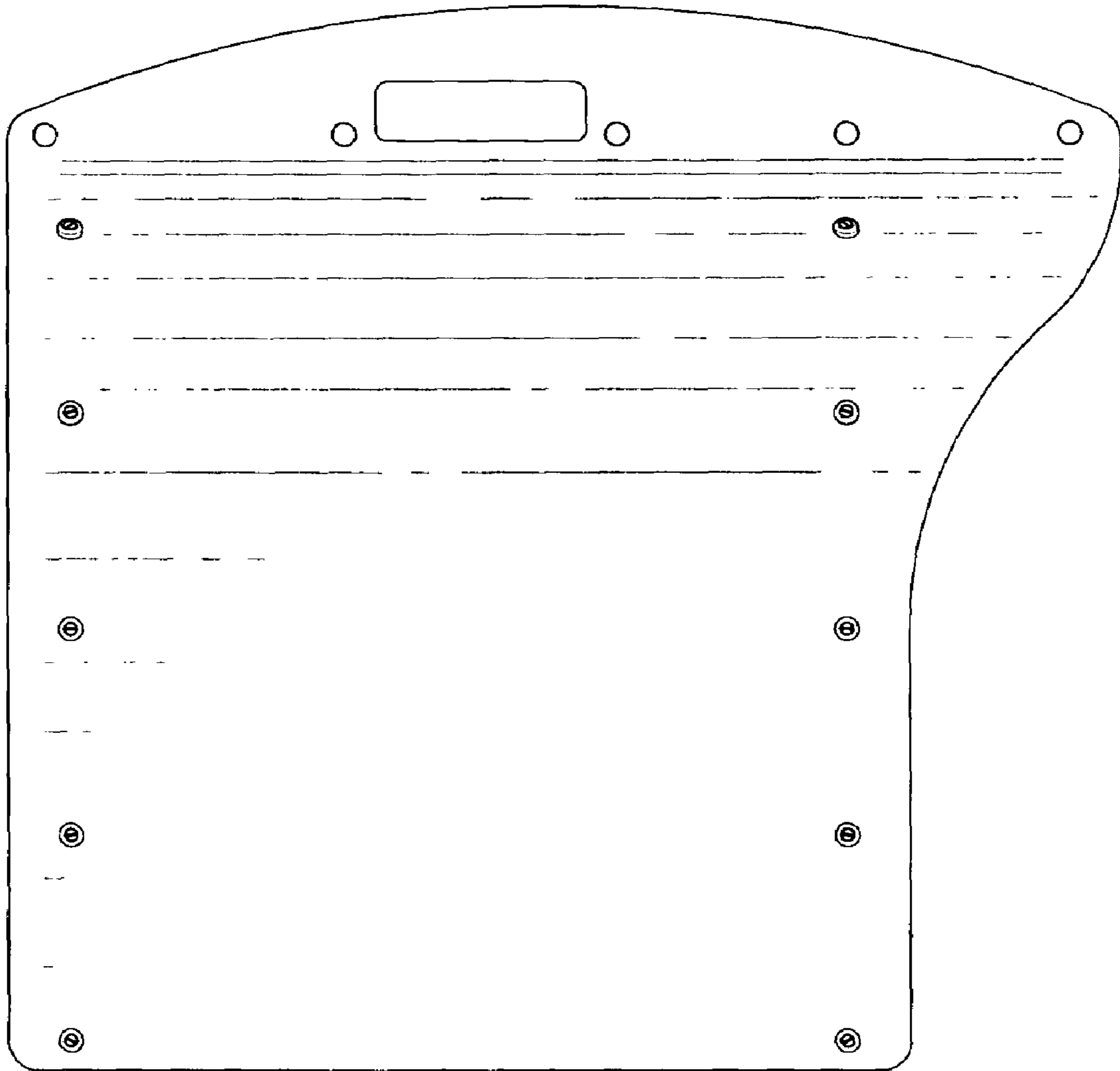


Fig. 3

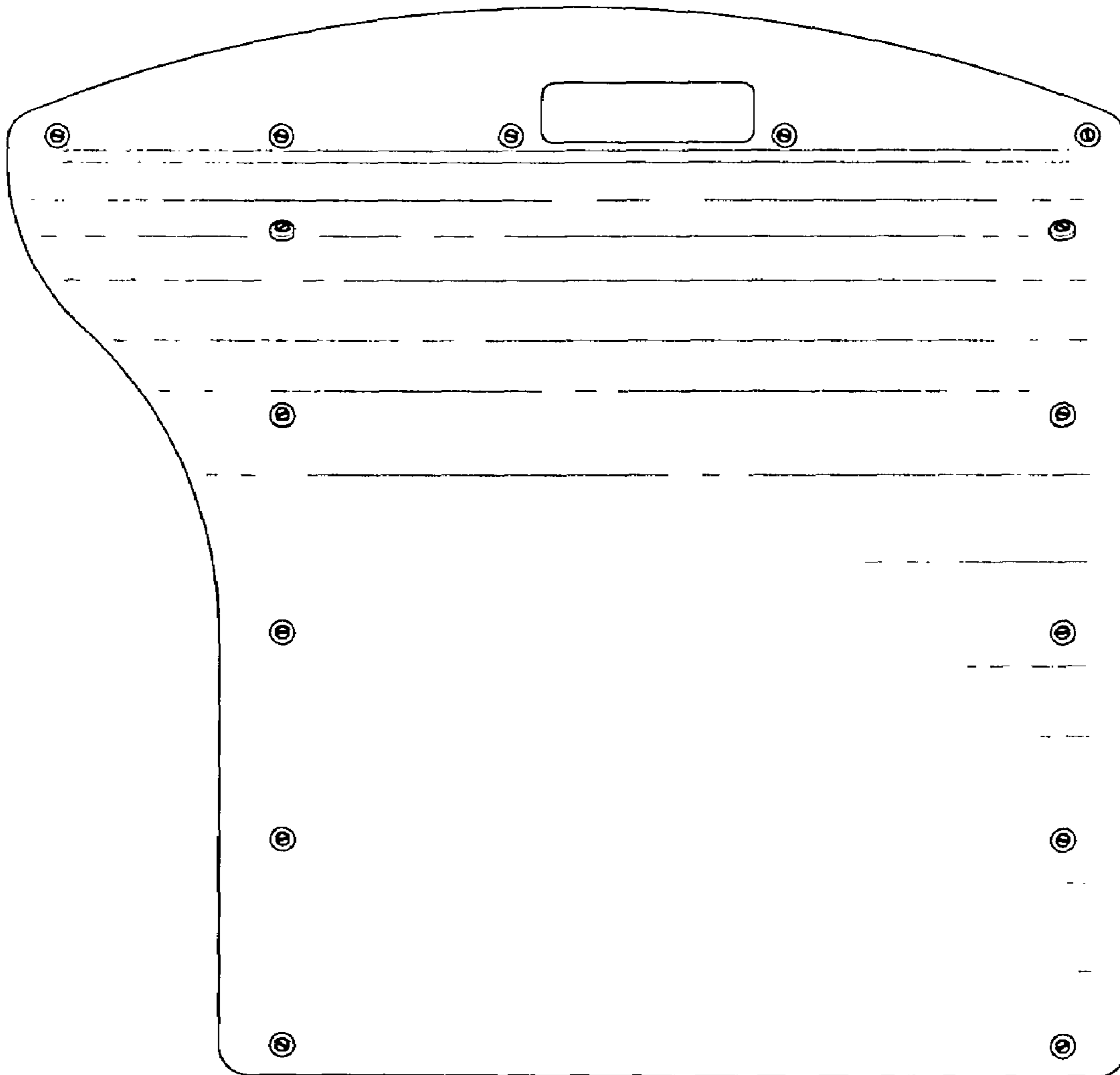


Fig. 4

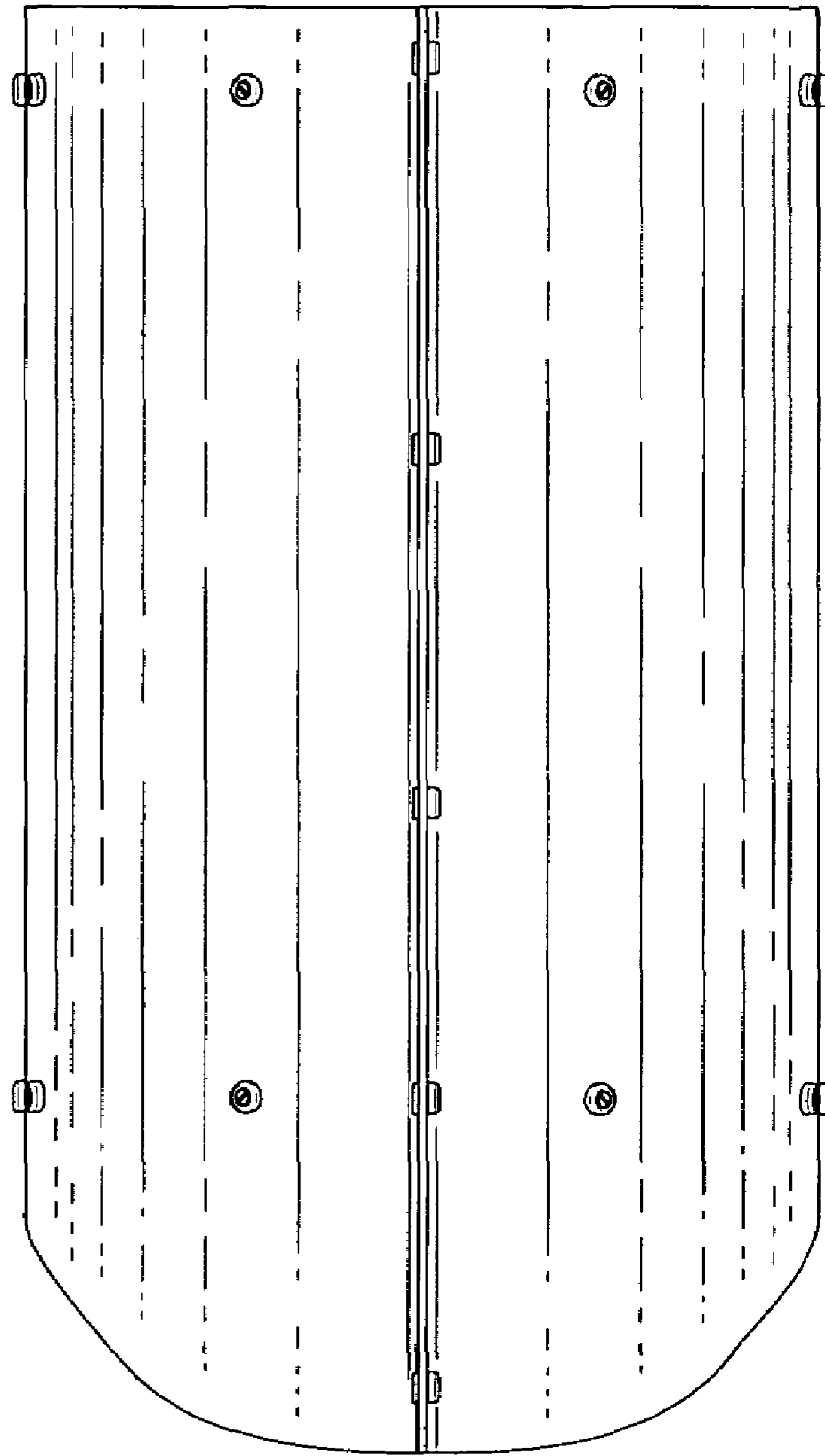


Fig. 5

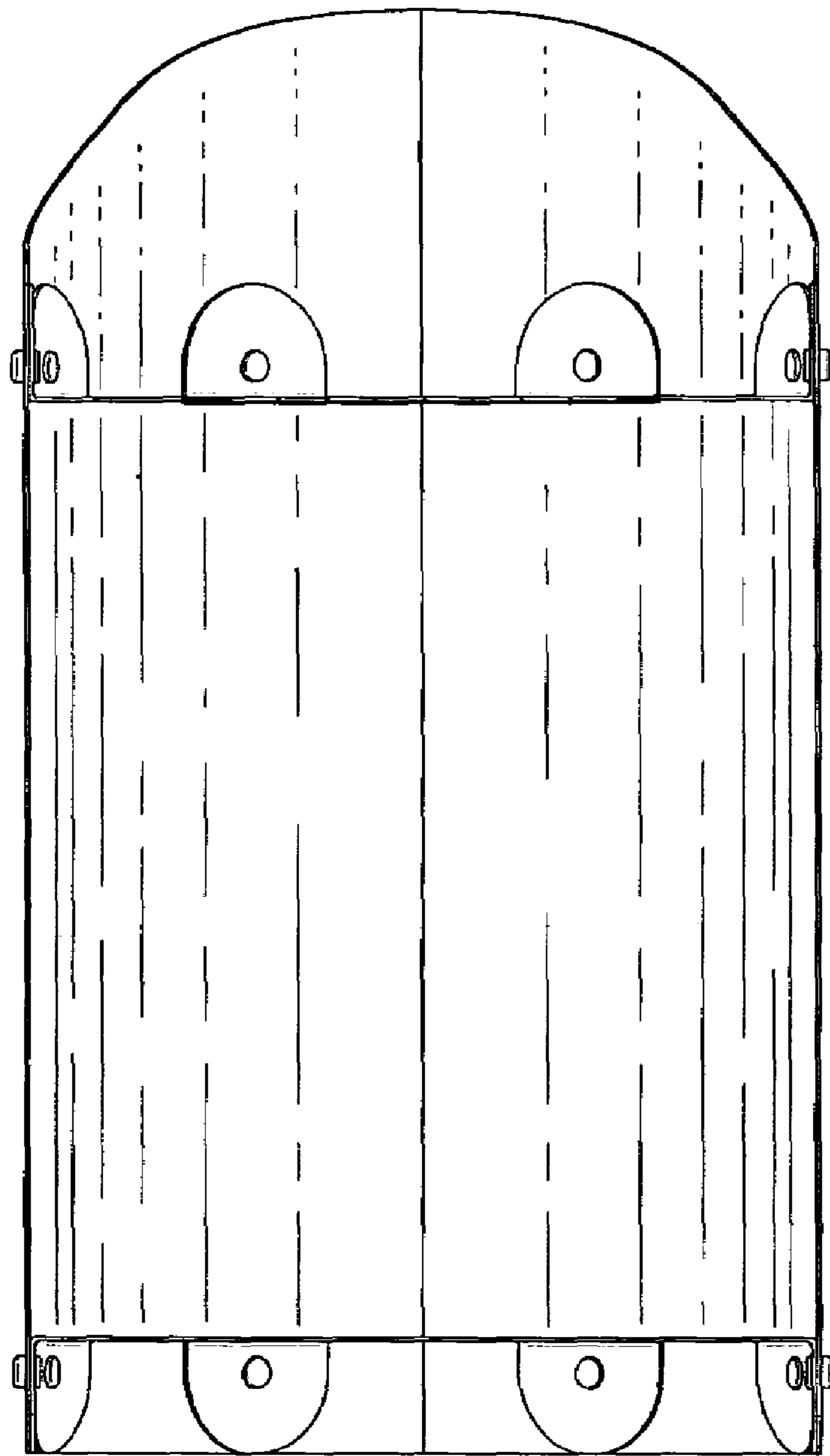


Fig. 6

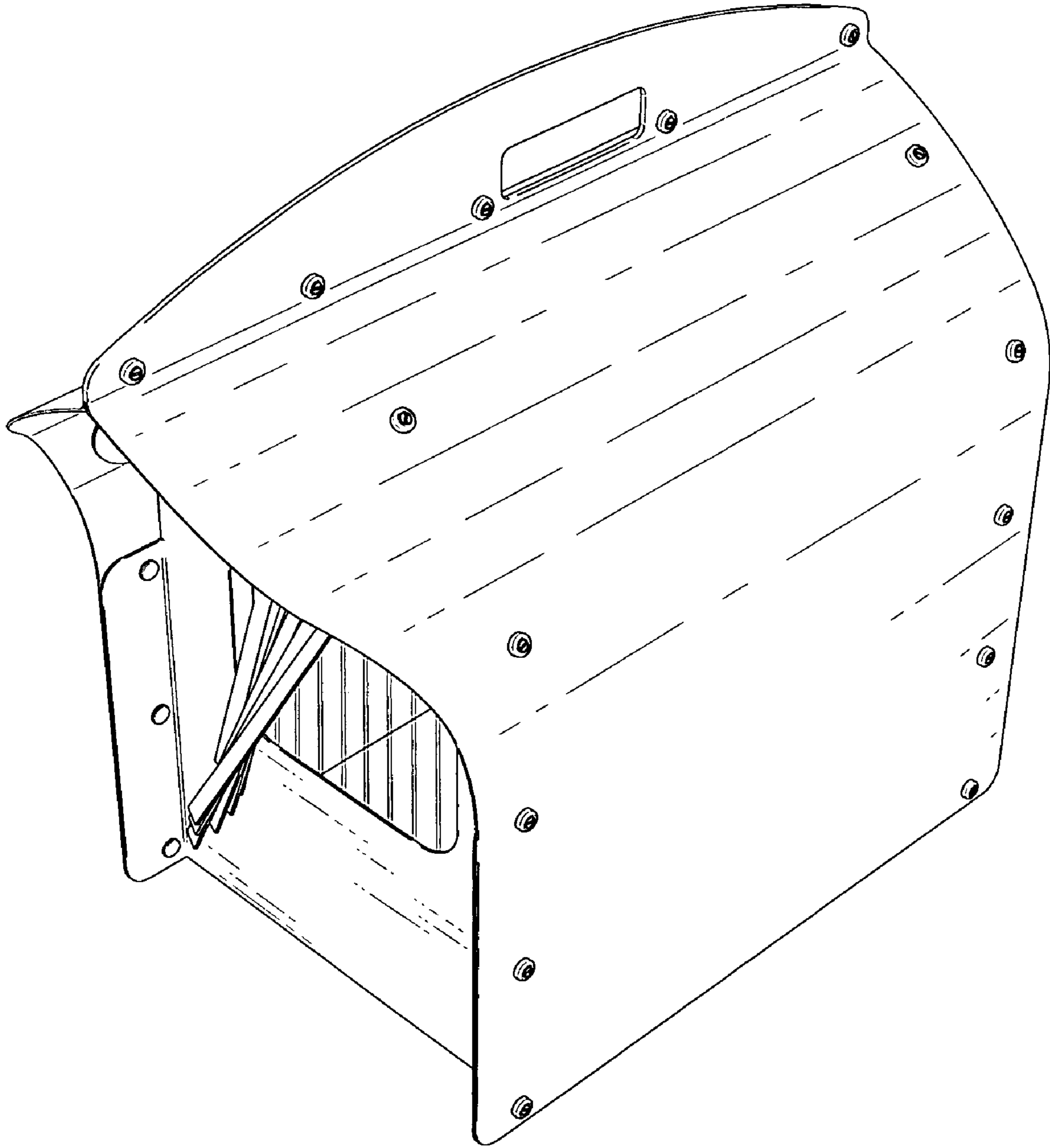


Fig. 7

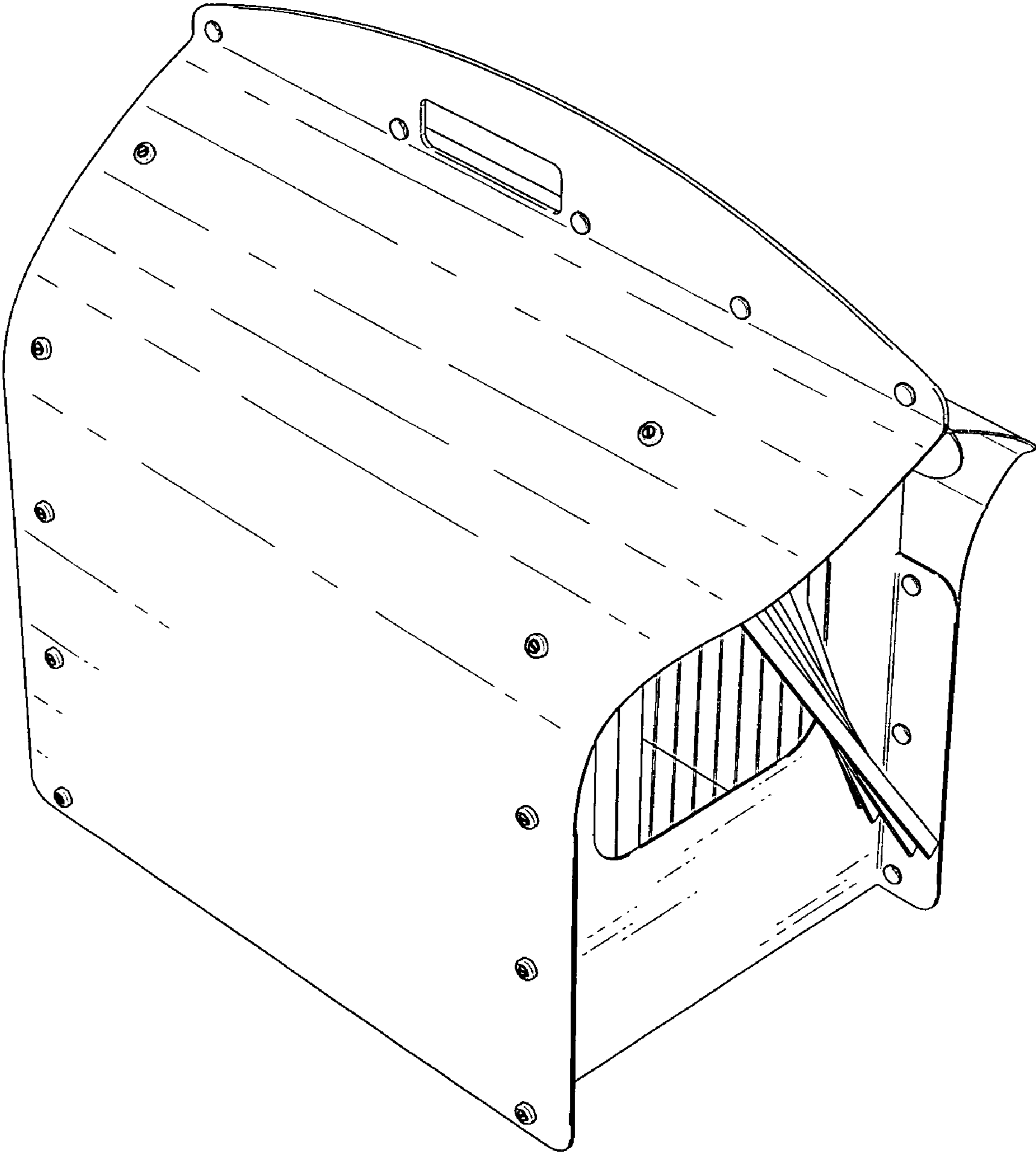


Fig. 8

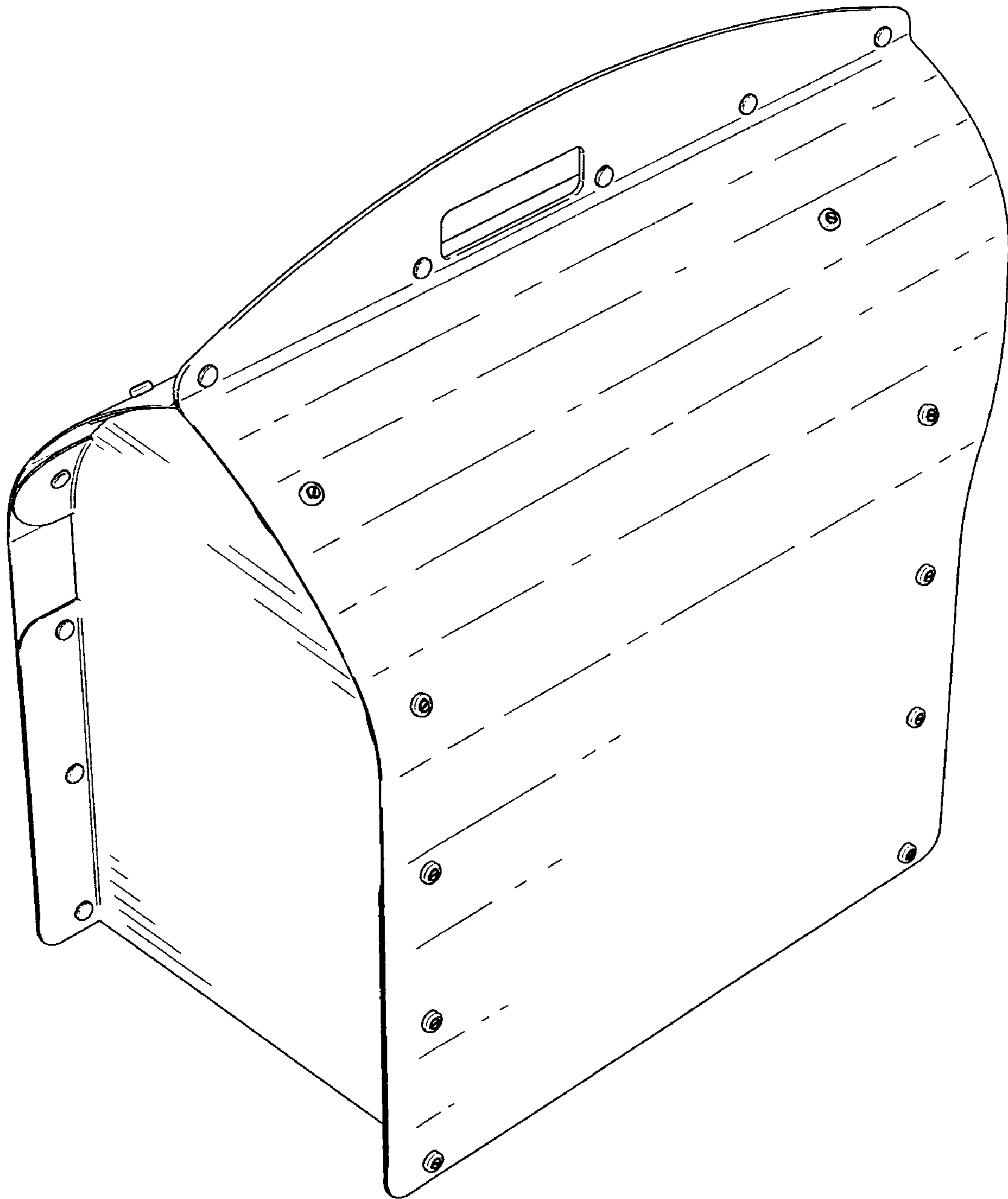


Fig.9