



US00D622910S

(12) **United States Design Patent**
Puckett

(10) **Patent No.:** **US D622,910 S**

(45) **Date of Patent:** **** Aug. 31, 2010**

(54) **FEED PORT FOR BIRD FEEDER**

2007/0227453 A1* 10/2007 Puckett et al. 119/57.8
2008/0296453 A1* 12/2008 Bonnema 248/229.24

(76) Inventor: **Betsy Puckett**, 27 Winsor Rd., Foster, RI
(US) 02825

* cited by examiner

(**) Term: **14 Years**

Primary Examiner—Susan Moon Lee

(21) Appl. No.: **29/342,939**

(74) *Attorney, Agent, or Firm*—Brian M. Dingman; Mirick,
O’Connell, Demallie & Lougee, LLP

(22) Filed: **Sep. 3, 2009**

(57) **CLAIM**

(51) **LOC (9) Cl.** **30-03**

The ornamental design for a feed port for bird feeder, as shown and described.

(52) **U.S. Cl.** **D30/124; D30/199; D30/127**

(58) **Field of Classification Search** D30/121,
D30/124–128, 133, 110–112, 119, 199; 119/51.01,
119/52.2–52.4, 57.8, 57.9, 248, 77, 432,
119/462, 52.8, 428, 458, 459, 463, 72, 63,
119/464, 465, 468, 475, 51 R; 248/219.1,
248/222.11, 224.7, 229.1, 230.1, 689
See application file for complete search history.

DESCRIPTION

FIG. 1 is a perspective view of a feed port for bird feeder of the invention, in which the broken lines are for illustrative purposes only and form no part of the claimed design;

(56) **References Cited**

U.S. PATENT DOCUMENTS

2,334,590	A *	11/1943	Spiro, Jr. et al.	119/464
D352,575	S *	11/1994	Bransky et al.	D30/127
7,021,241	B2 *	4/2006	Nock	119/57.8
D535,445	S *	1/2007	Obenshain	D30/121
D539,991	S *	4/2007	Petrie et al.	D30/127
7,370,607	B2 *	5/2008	O’Dell	119/52.3
7,516,716	B2 *	4/2009	Puckett et al.	119/432
2004/0231606	A1 *	11/2004	Nock	119/57.8
2006/0272585	A1 *	12/2006	O’Dell	119/57.8

FIG. 2 is a perspective view of the feed port for bird feeder of FIG. 1;

FIG. 3 is a front view of the feed port for bird feeder of FIG. 1;

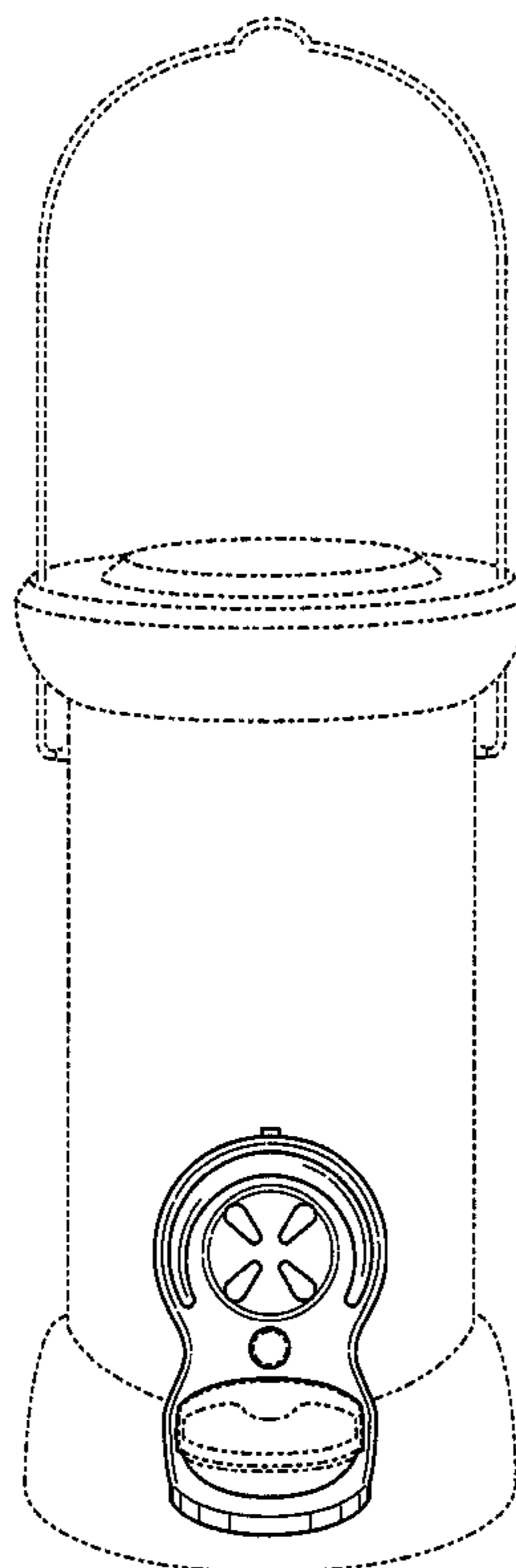
FIG. 4 is a rear view of the feed port for bird feeder of FIG. 1;

FIG. 5 is a right side view of the feed port for bird feeder of FIG. 1, the left side view being a mirror image thereof;

FIG. 6 is a top view of the feed port for bird feeder of FIG. 1; and,

FIG. 7 is a bottom view of the feed port for bird feeder of FIG. 1.

1 Claim, 6 Drawing Sheets



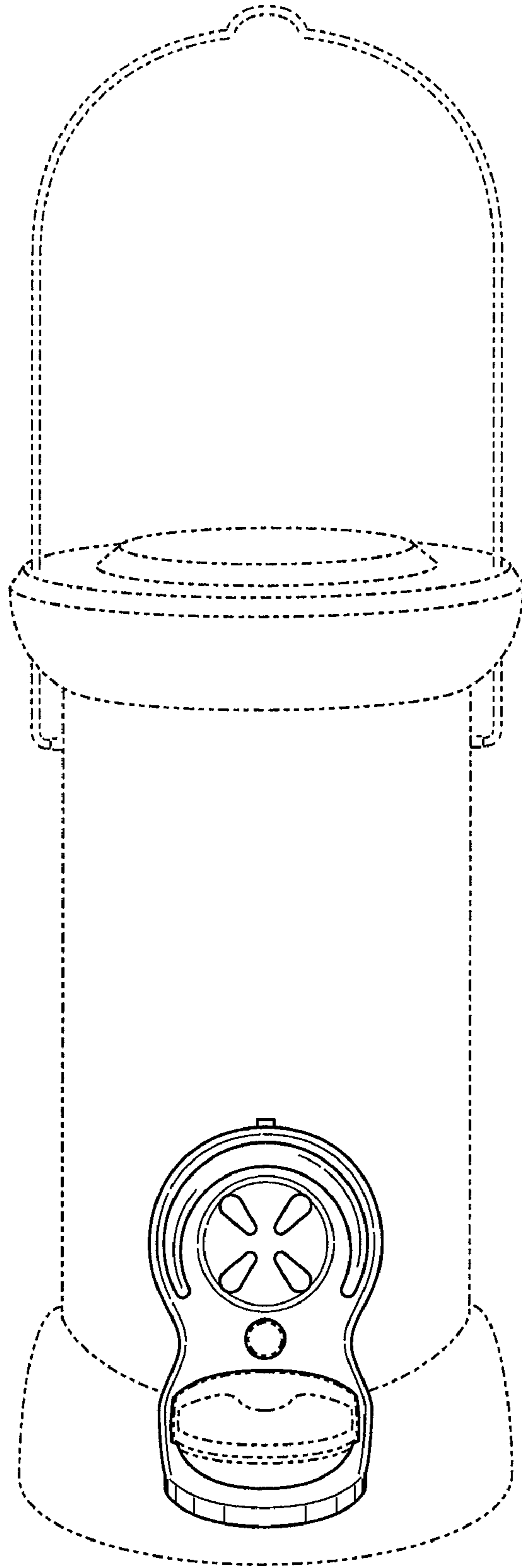


FIG. 1

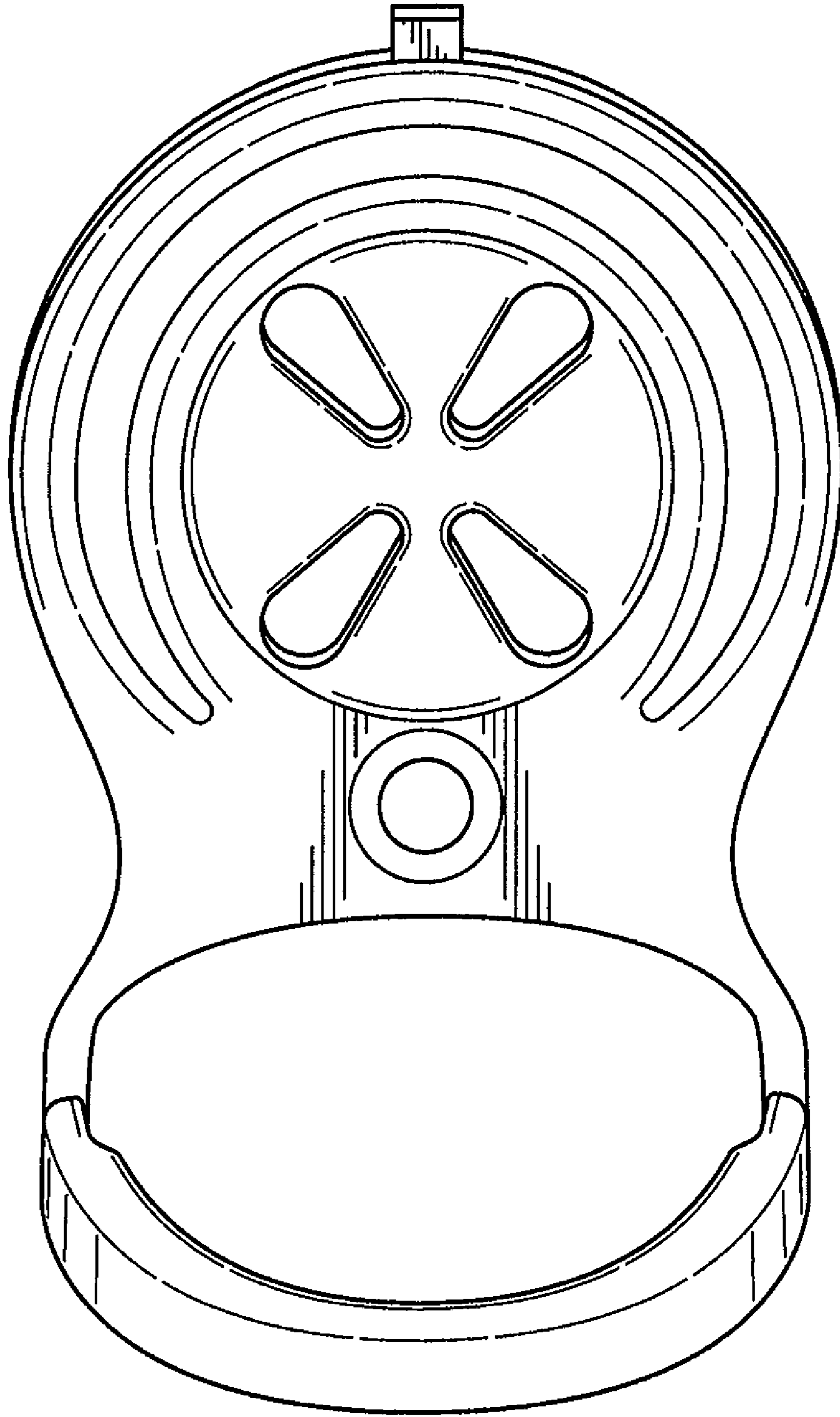


FIG. 2

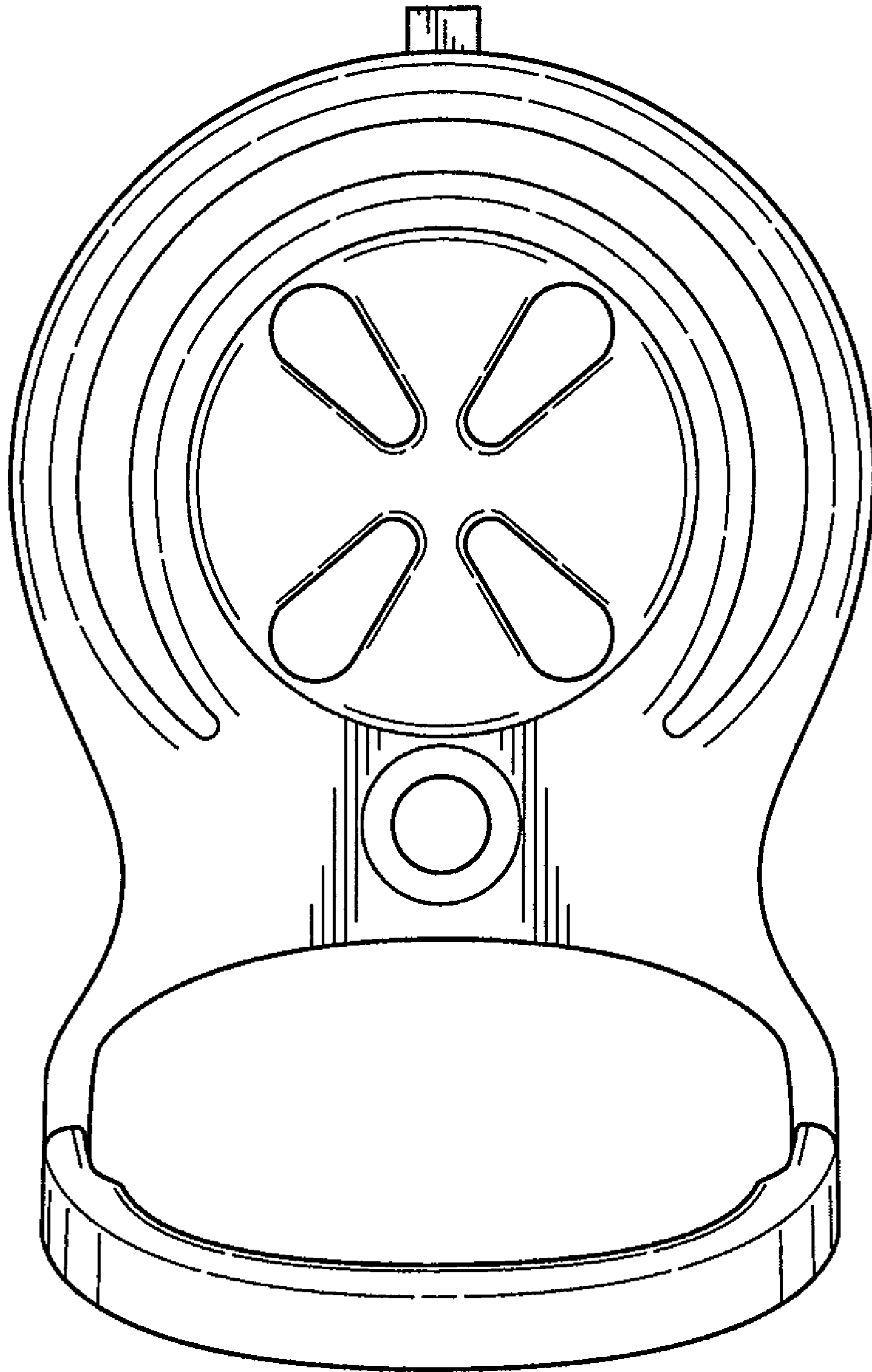


FIG. 3

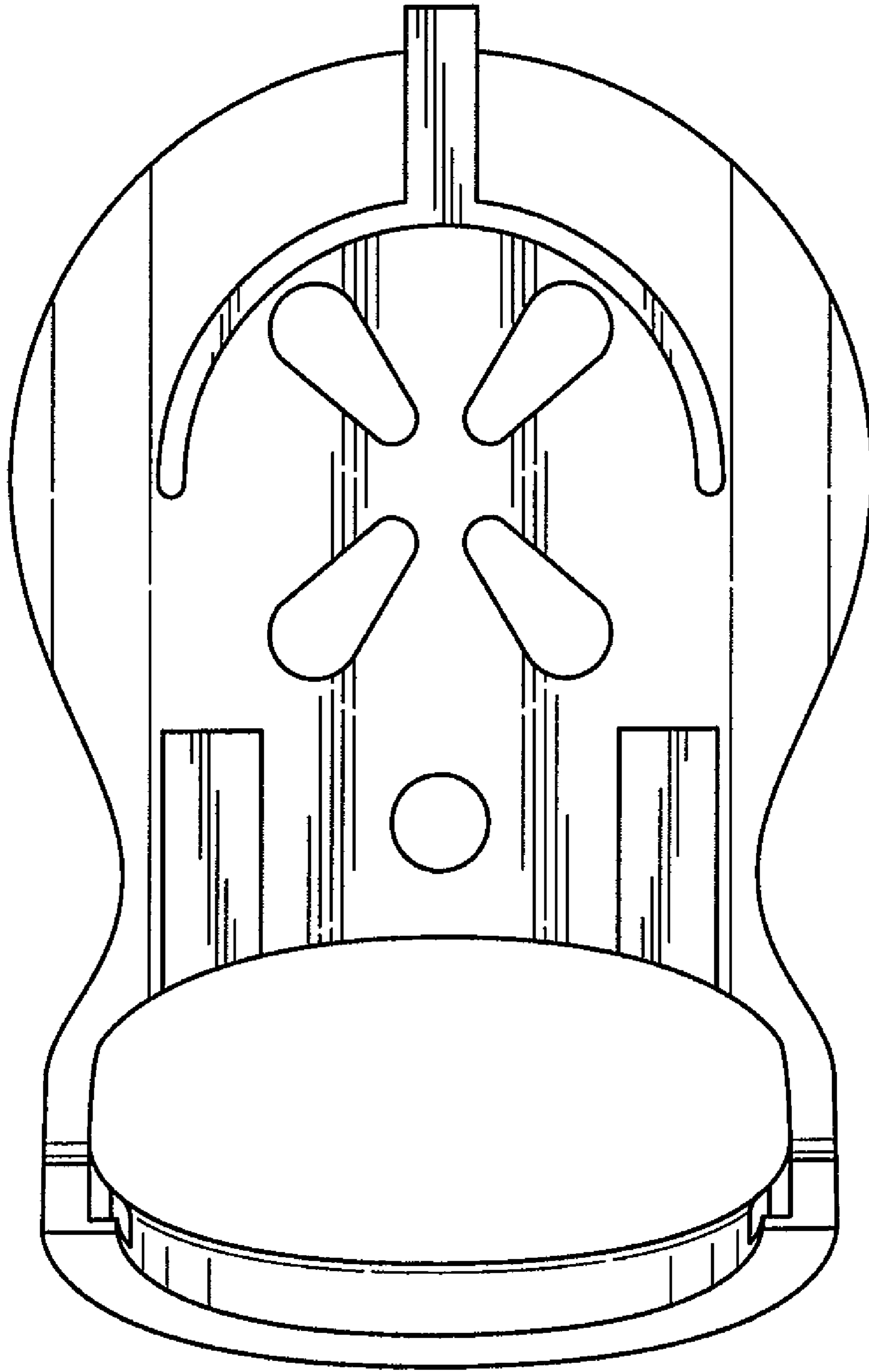


FIG. 4

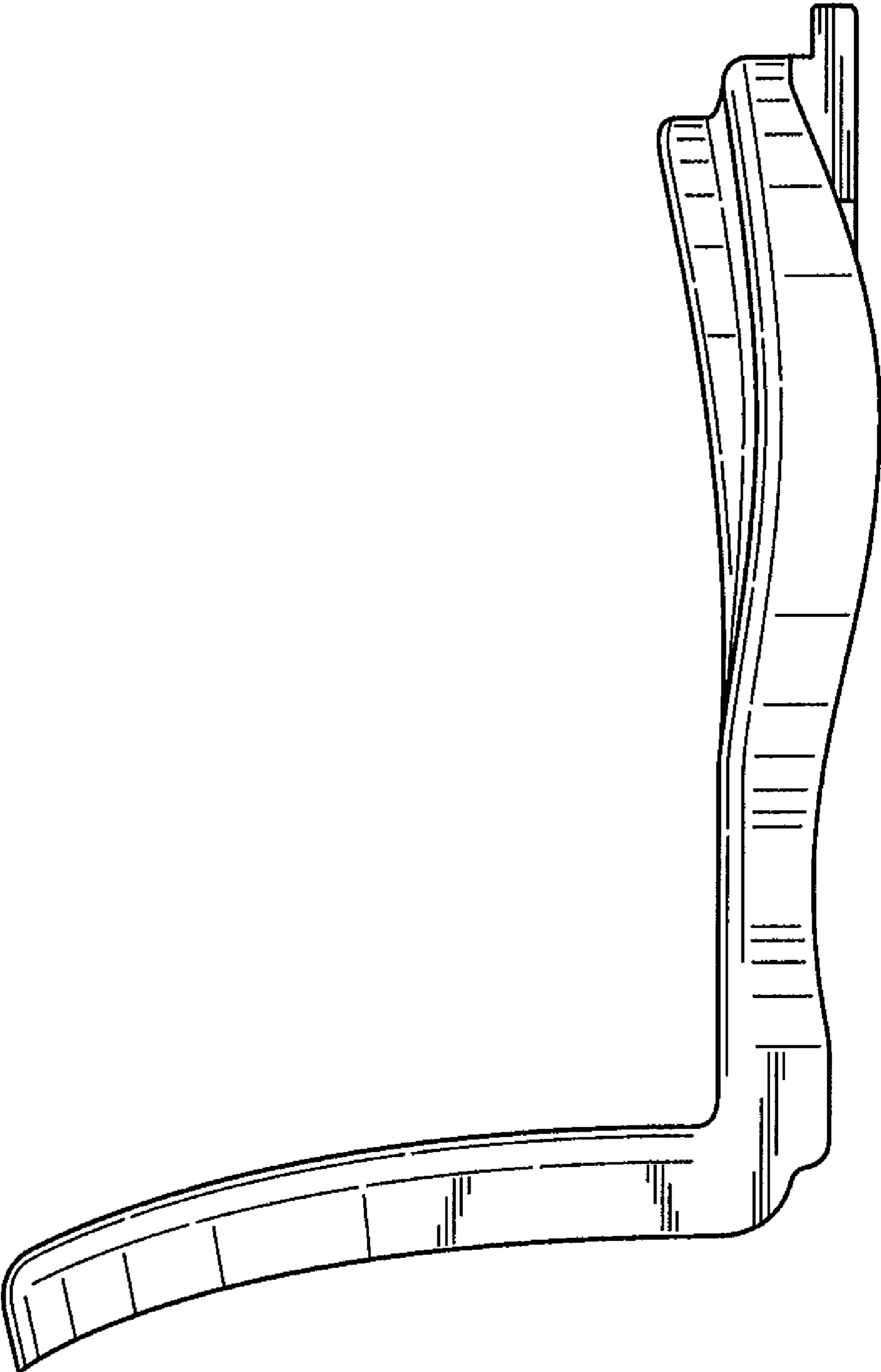


FIG. 5

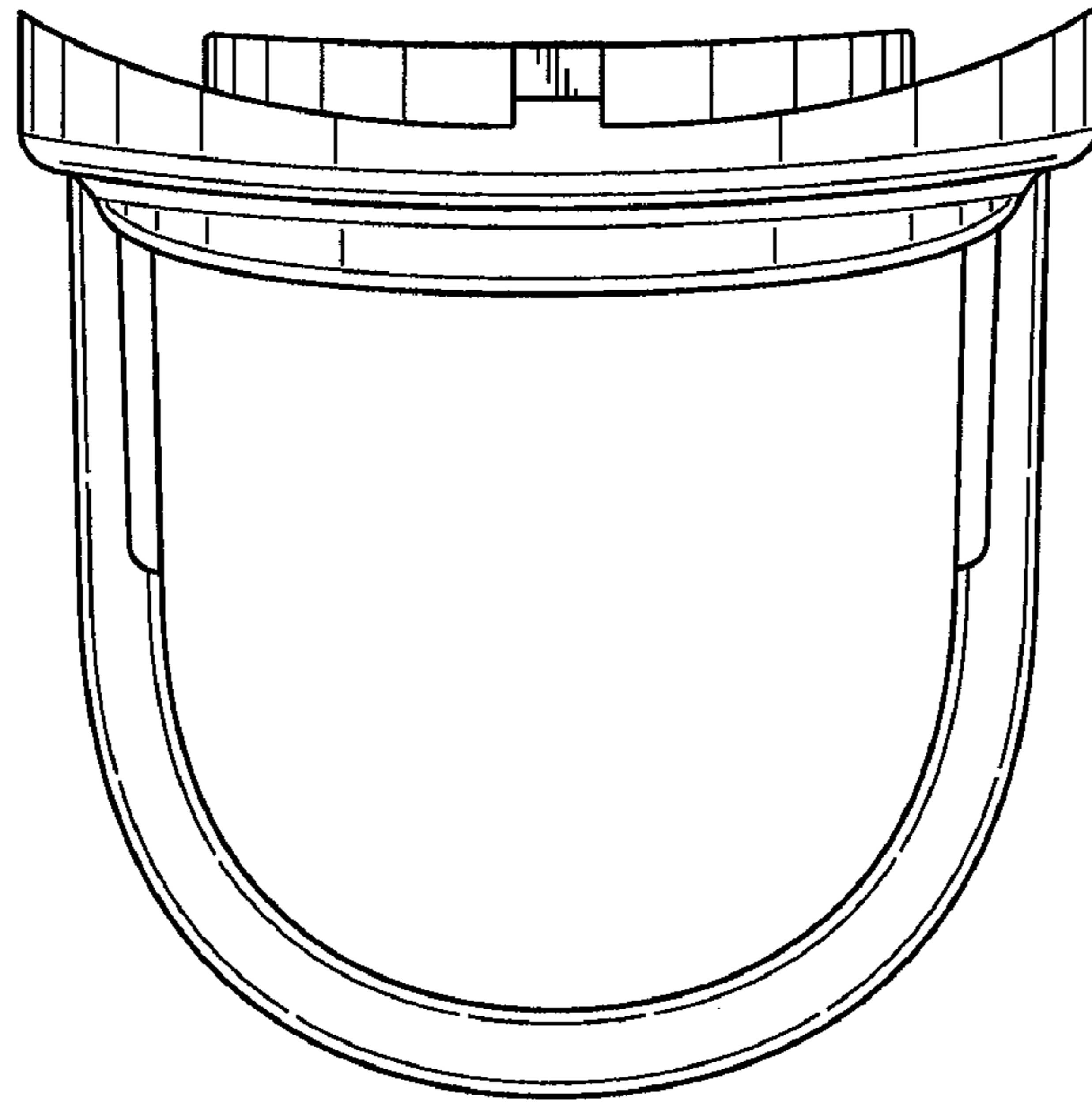


FIG. 6

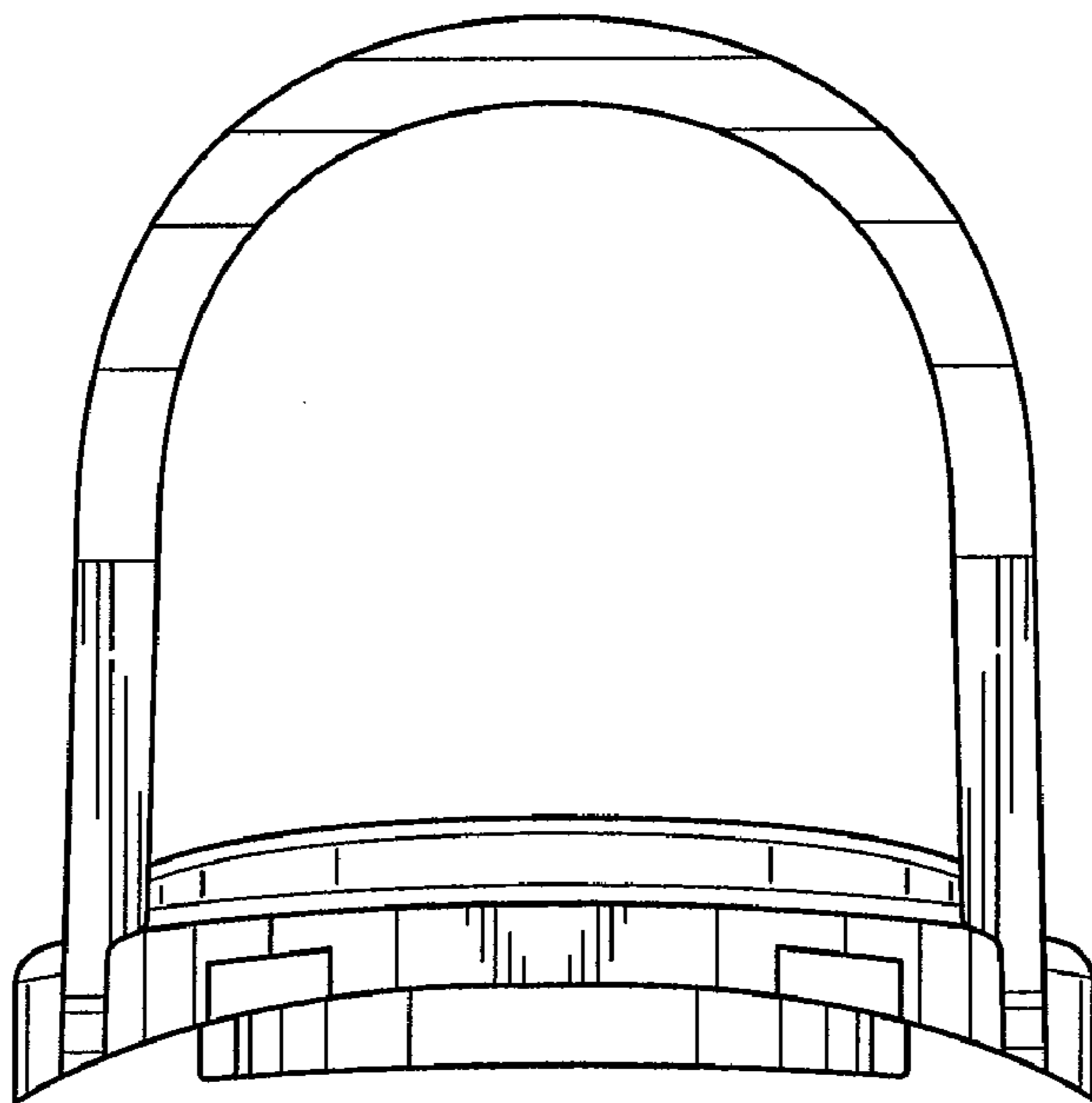


FIG. 7