



US00D622900S

(12) **United States Design Patent**  
**Chiu et al.**

(10) **Patent No.:** **US D622,900 S**

(45) **Date of Patent:** **\*\* Aug. 31, 2010**

(54) **ELEVATION ADJUSTING APPARATUS FOR LIGHTING FIXTURE**

(75) Inventors: **Yi-Chun Chiu**, Miao-Li Hsien (TW);  
**Fang-Shiuan Kuo**, Miao-Li Hsien (TW);  
**Wen-Jang Jiang**, Miao-Li Hsien (TW)

(73) Assignee: **Foxsemicon Integrated Technology, Inc.**, Chu-Nan, Miao-Li Hsien (TW)

(\*\*) Term: **14 Years**

(21) Appl. No.: **29/339,077**

(22) Filed: **Jun. 24, 2009**

(30) **Foreign Application Priority Data**

Apr. 24, 2009 (CN) ..... 2009 3 0303516

(51) **LOC (9) Cl.** ..... **26-99**

(52) **U.S. Cl.** ..... **D26/140**

(58) **Field of Classification Search** ..... 206/420;  
D8/355; 362/371, 2, 5, 7, 10, 11, 14, 16,  
362/18, 553, 555, 37, 39, 418, 424, 40, 102,  
362/220, 259, 269, 277, 282, 285, 287, 425,  
362/427, 429, 430, 404, 294, 235, 304; 16/367,  
16/337, 340; 248/278.1; D14/452; D10/114;  
D26/44, 60, 61, 63, 64, 65, 66, 113, 138,  
D26/140, 141, 142, 152, 155, 120, 122  
See application file for complete search history.

(56) **References Cited**

**U.S. PATENT DOCUMENTS**

2,254,790 A \* 9/1941 Benton ..... 362/523  
2,434,986 A \* 1/1948 Bremer ..... 362/421  
D162,639 S \* 3/1951 Fiori ..... D26/60  
2,825,586 A \* 3/1958 Robboy ..... 285/181

3,254,205 A \* 5/1966 Cobb ..... 362/220  
3,533,648 A \* 10/1970 Thieberger ..... 285/272  
5,290,074 A \* 3/1994 Chapman ..... 285/184  
5,713,662 A \* 2/1998 Kira ..... 362/427  
D464,250 S \* 10/2002 Warner et al. .... D8/355  
D493,905 S \* 8/2004 Lin ..... D26/63  
RE39,084 E \* 5/2006 Hagen ..... 362/418  
D570,513 S \* 6/2008 Vice ..... D26/63  
2003/0007355 A1 \* 1/2003 Leen ..... 362/287

\* cited by examiner

*Primary Examiner*—Cathron C Brooks

*Assistant Examiner*—Kevin K Rudzinski

(74) *Attorney, Agent, or Firm*—Raymond J. Chew

(57) **CLAIM**

The ornamental design for an elevation adjusting apparatus for lighting fixture, as shown and described.

**DESCRIPTION**

FIG. 1 is a perspective view of an elevation adjusting apparatus for lighting fixture in one operational state.

FIG. 2 is a front elevational view thereof.

FIG. 3 is a rear elevational view thereof.

FIG. 4 is a left-side, elevational view thereof.

FIG. 5 is a right-side, elevational view thereof.

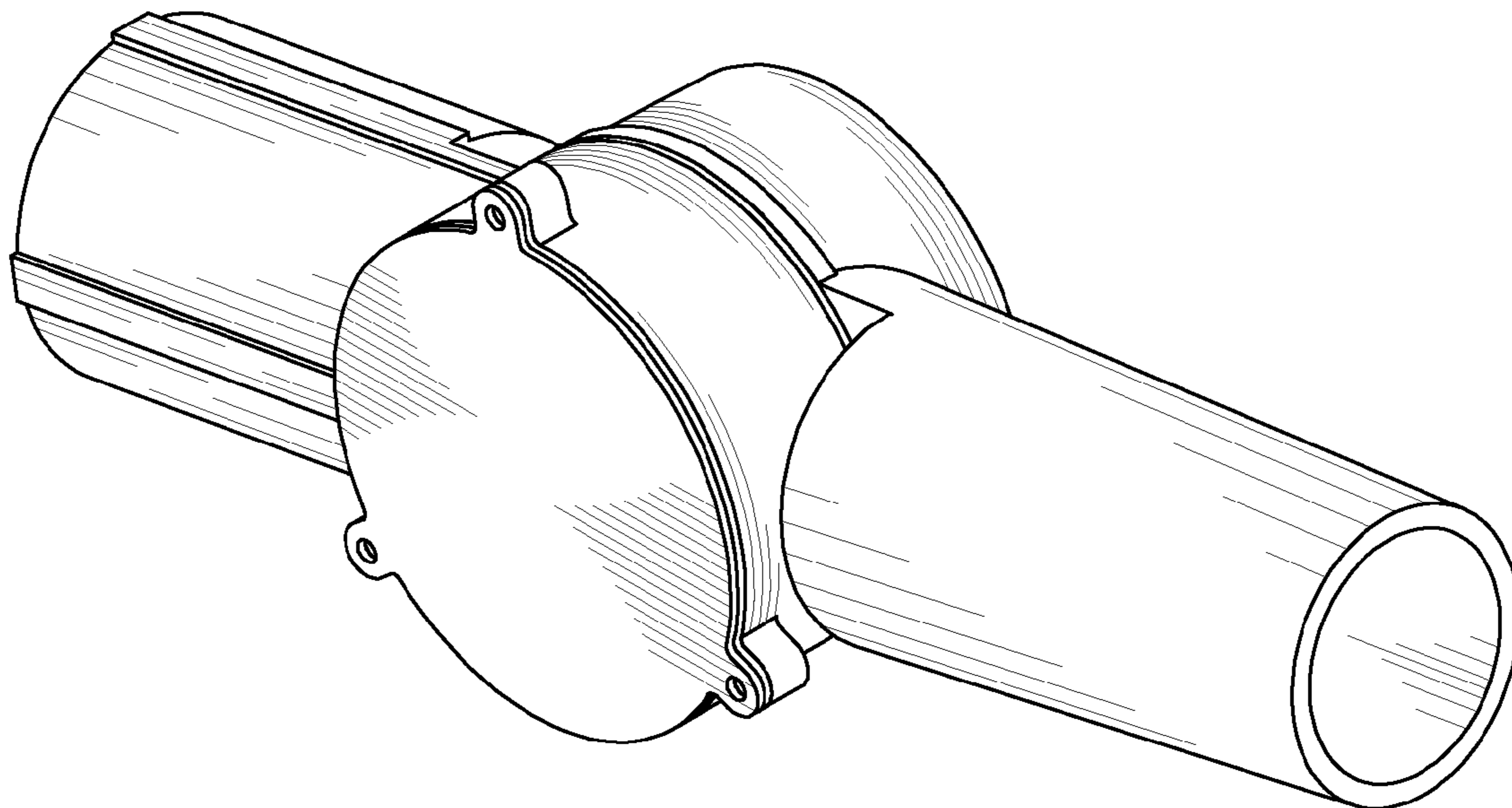
FIG. 6 is a top plan view thereof.

FIG. 7 is a bottom plan view thereof; and,

FIG. 8 is a perspective view of the elevation adjusting apparatus for lighting fixture in another operational state.

The broken lines shown in the drawings are included for the purpose of illustrating environmental structure and form no part of the claimed design.

**1 Claim, 8 Drawing Sheets**



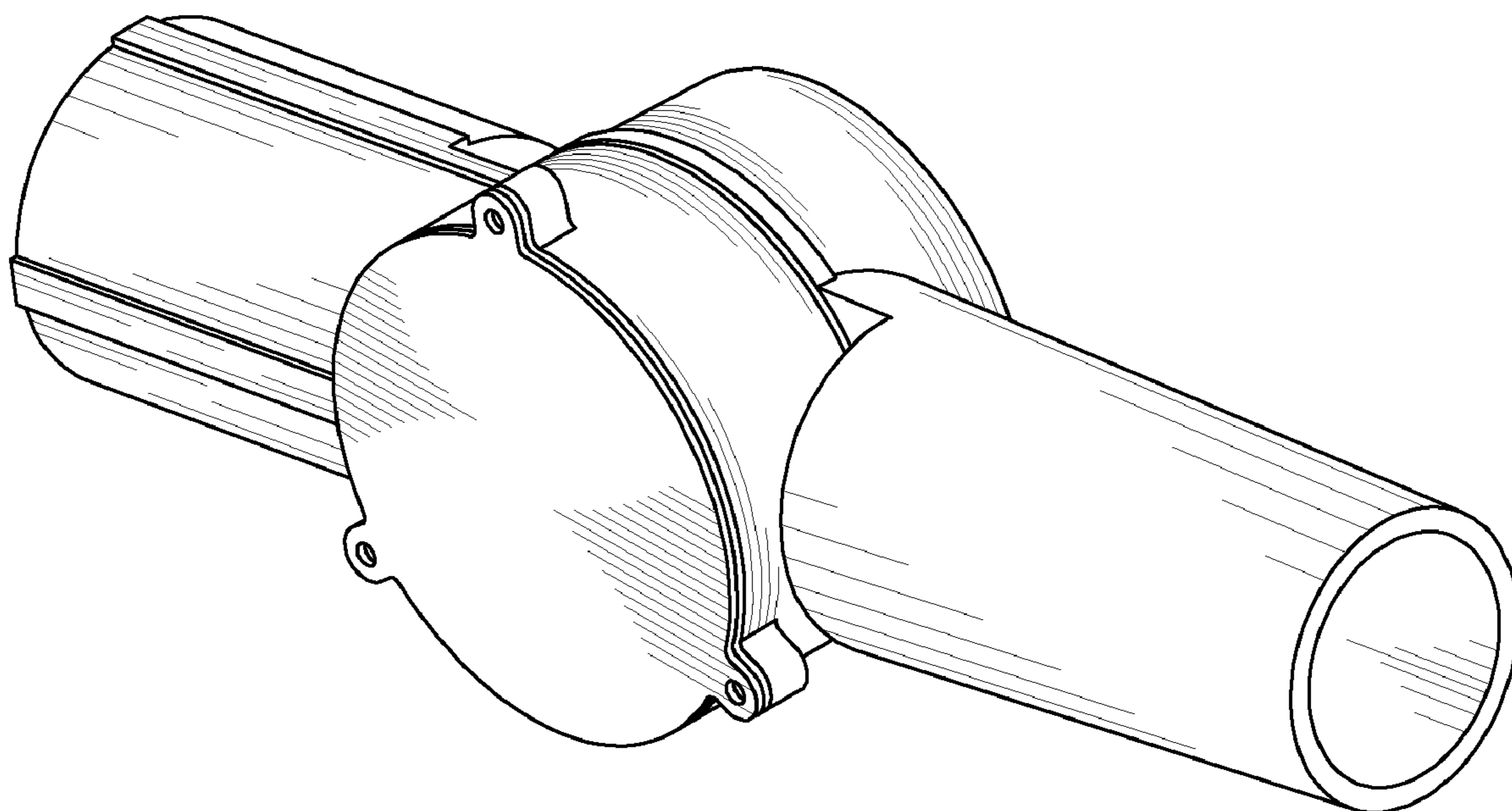


FIG. 1

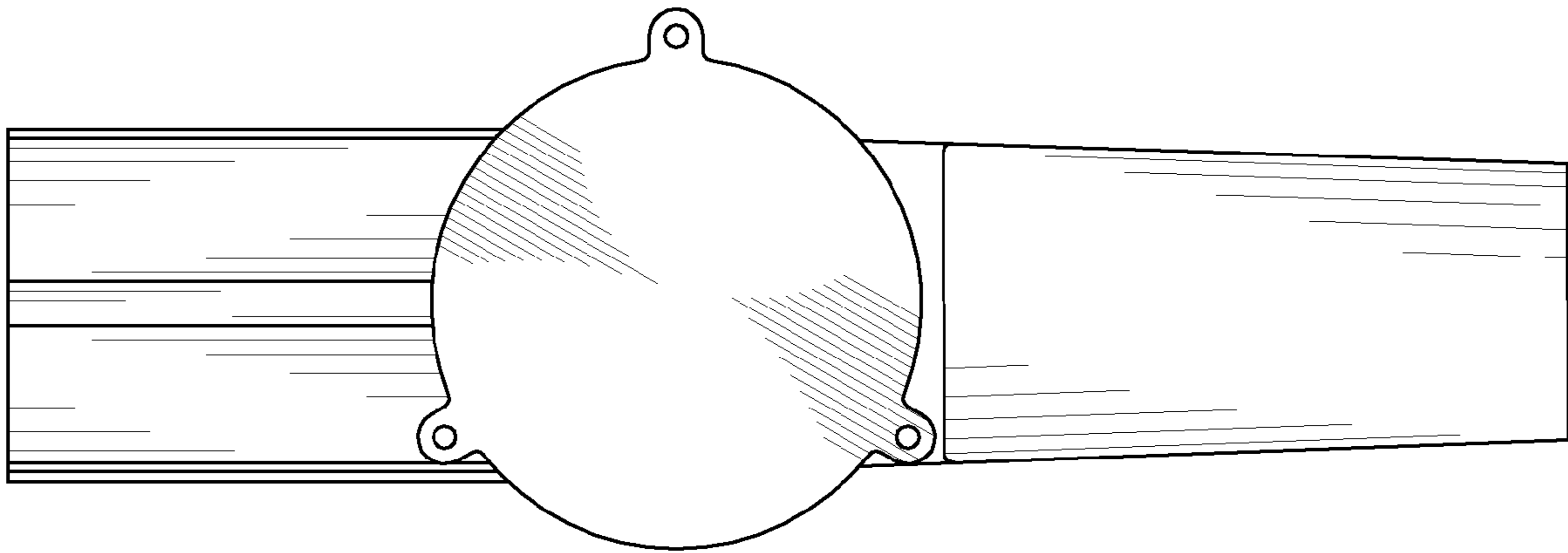


FIG. 2

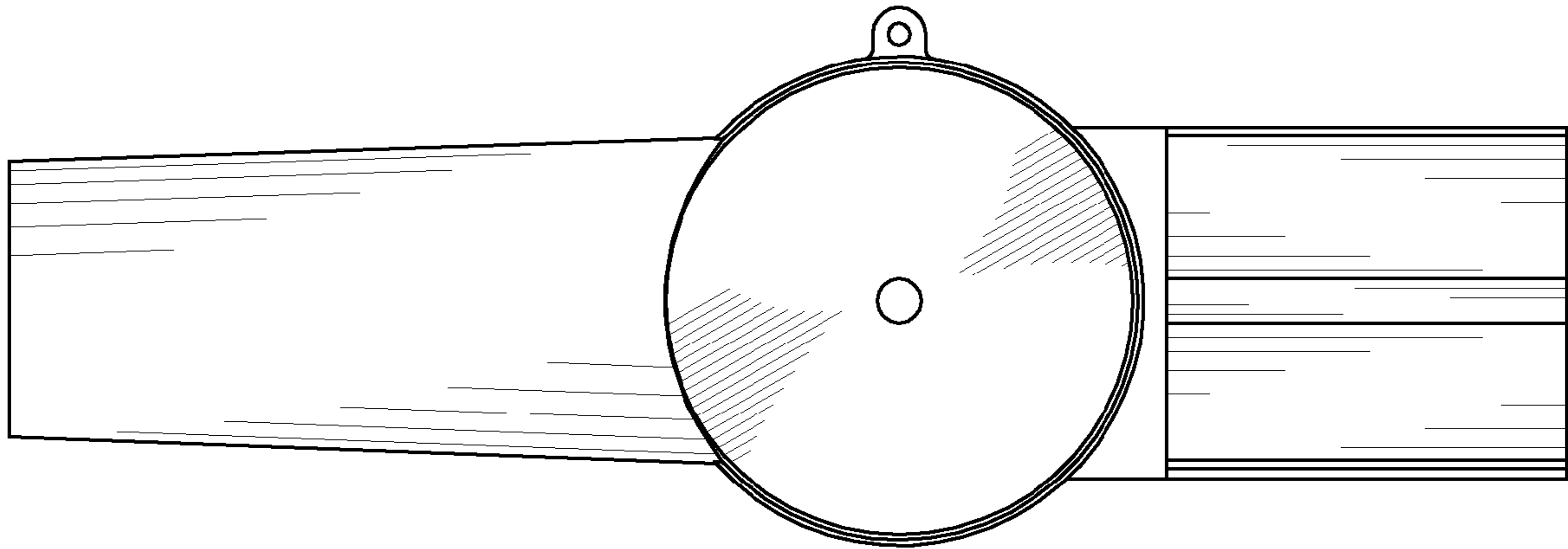


FIG. 3

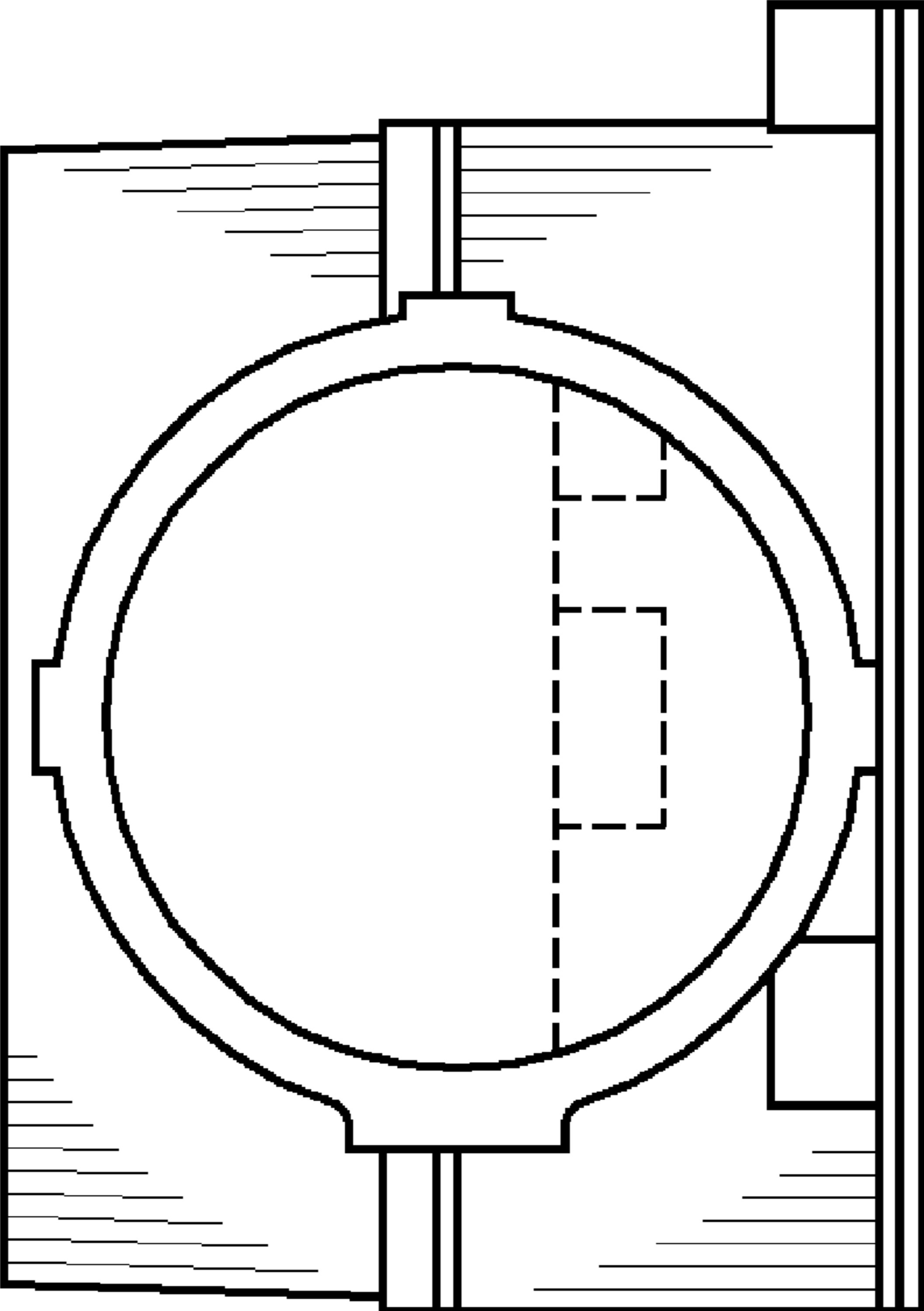


FIG. 4

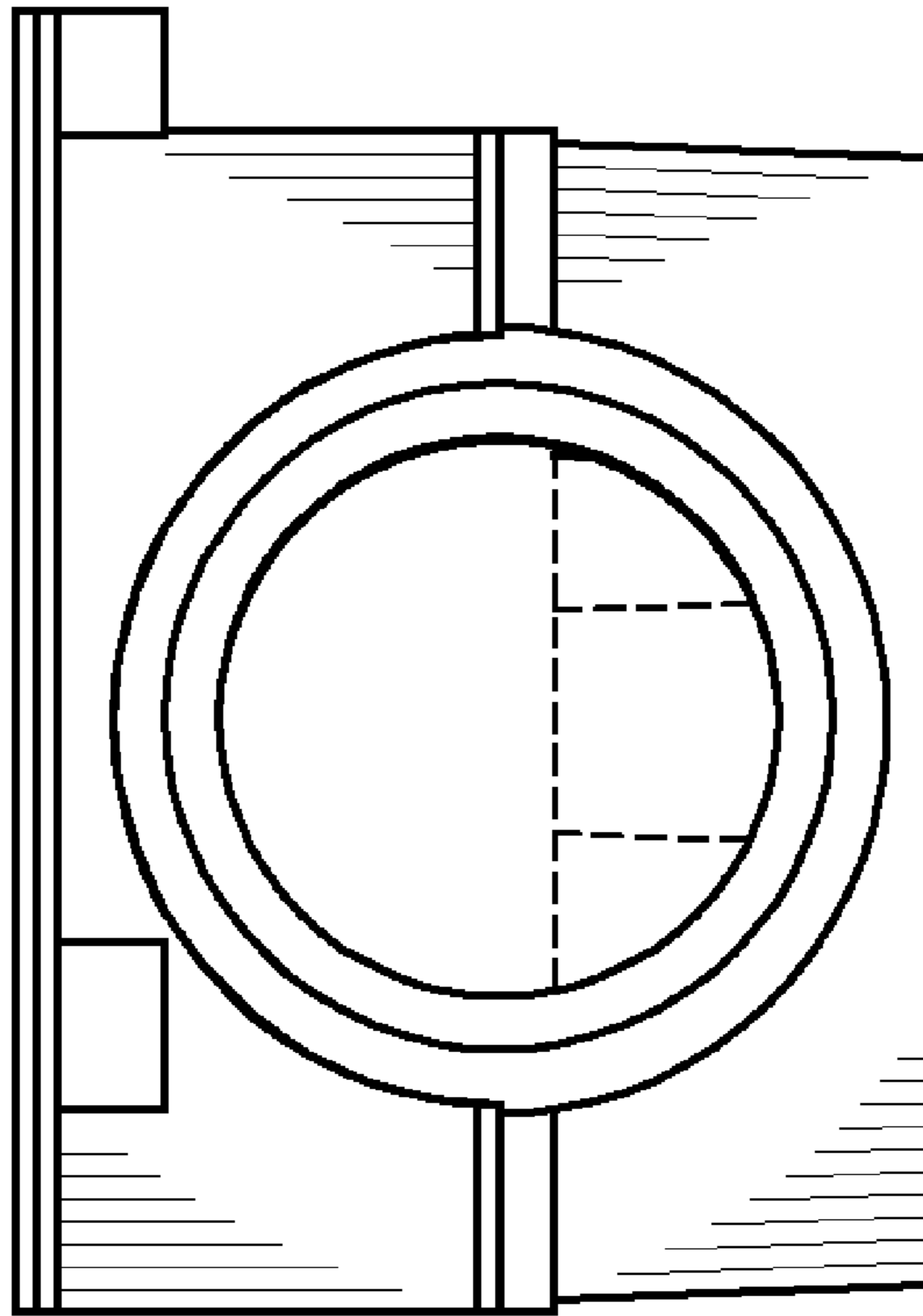


FIG. 5

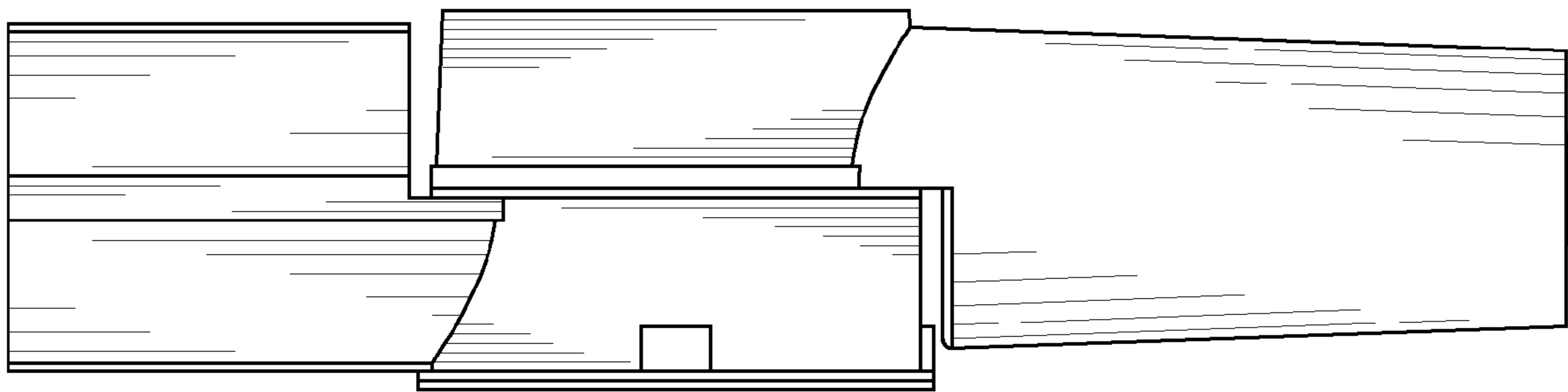


FIG. 6

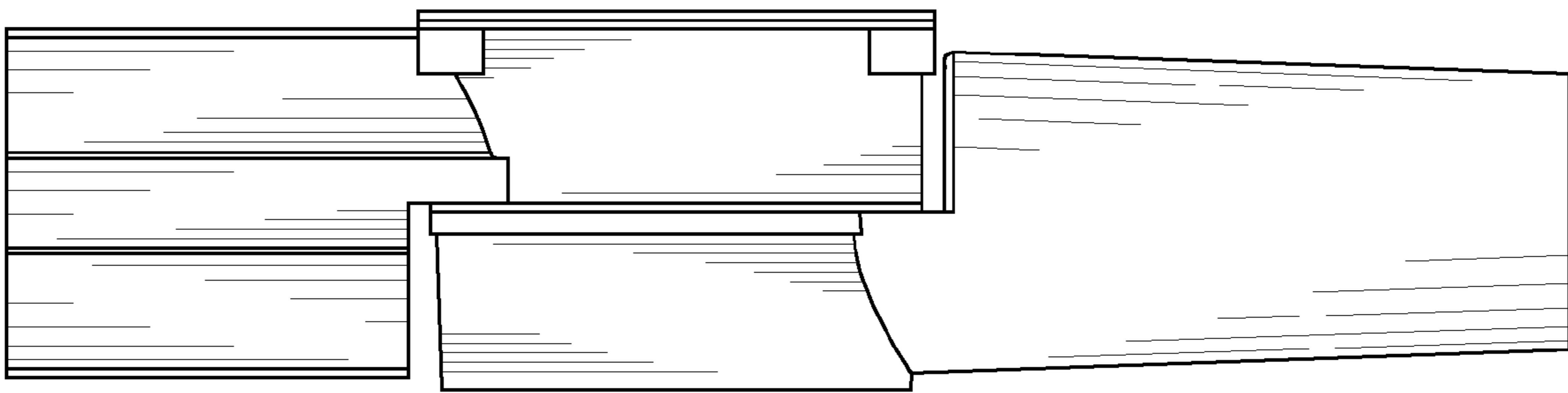


FIG. 7



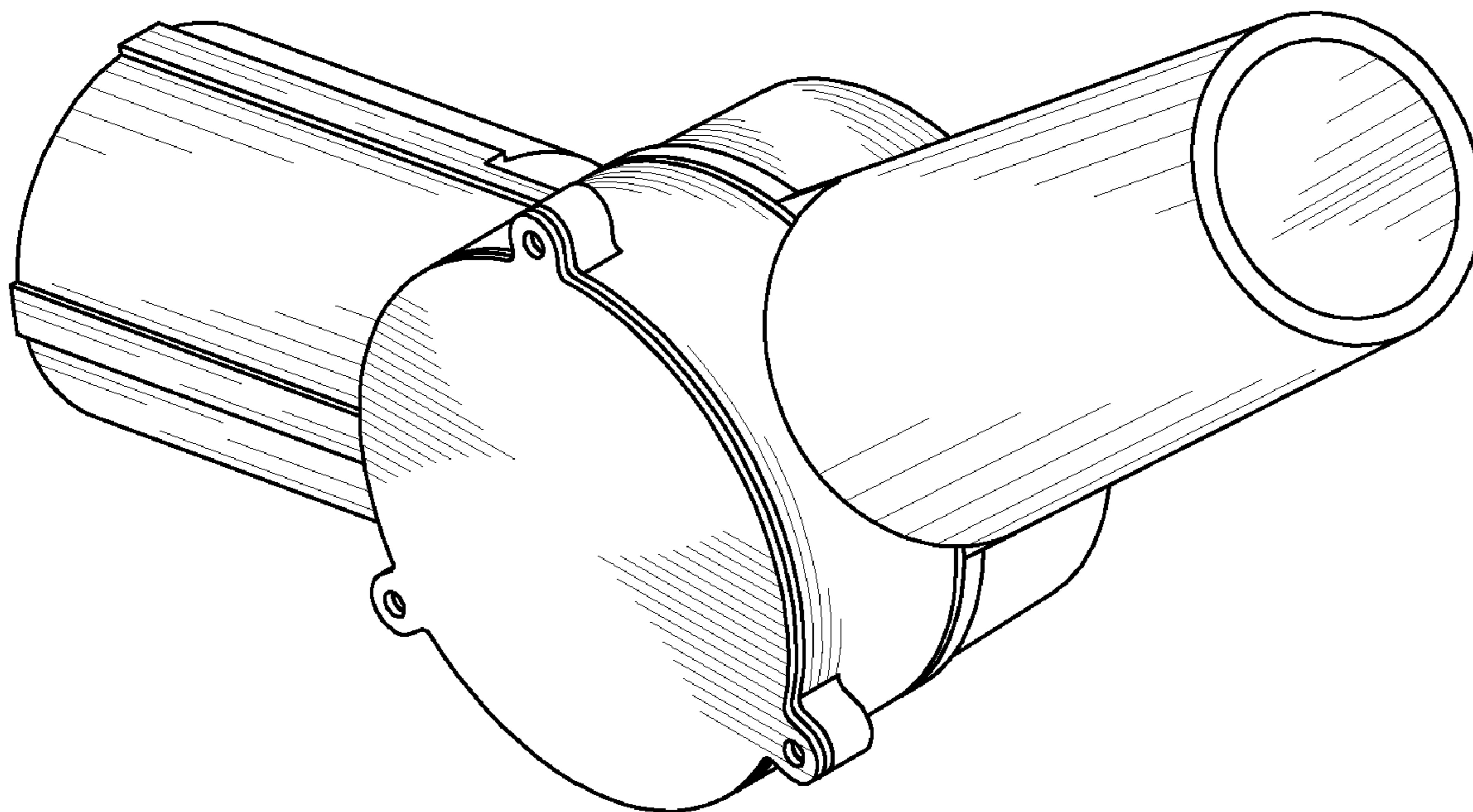


FIG. 8