



US00D622895S

(12) **United States Design Patent**  
**Lyons**

(10) **Patent No.:** **US D622,895 S**

(45) **Date of Patent:** **\*\* Aug. 31, 2010**

(54) **PAR36 LIGHT**

(75) Inventor: **Jon H. Lyons**, Haddam, CT (US)

(73) Assignee: **Whelen Engineering Company, Inc.**,  
Chester, CT (US)

(\*\*) Term: **14 Years**

(21) Appl. No.: **29/316,777**

(22) Filed: **Oct. 30, 2009**

(51) **LOC (9) Cl.** ..... **26-99**

(52) **U.S. Cl.** ..... **D26/118**

(58) **Field of Classification Search** ..... D26/2,  
D26/142, 134, 129, 124, 118, 128, 113, 121,  
D26/125, 131, 130, 60, 61, 138, 93, 102,  
D26/103, 106, 107, 110, 147, 153, 149, 141,  
D26/145, 155, 24, 63, 120, 122, 123, 65,  
D26/88; D8/396; 362/294, 98, 641, 257,  
362/269, 270, 277, 279, 285, 341, 347, 350,  
362/351, 363, 395, 410

See application file for complete search history.

(56) **References Cited**

**U.S. PATENT DOCUMENTS**

D57,300 S \* 3/1921 Barrows ..... D26/134  
D112,957 S \* 1/1939 Ludwig ..... D26/24

D113,850 S \* 3/1939 Ludwig ..... D26/60  
D128,125 S \* 7/1941 Rutledge ..... D26/24  
D390,991 S \* 2/1998 Cahill ..... D26/63  
D402,773 S \* 12/1998 Lo ..... D26/24

\* cited by examiner

*Primary Examiner*—Cathron C Brooks

*Assistant Examiner*—Kevin K Rudzinski

(74) *Attorney, Agent, or Firm*—Alix, Yale & Ristas, LLP

(57) **CLAIM**

The ornamental design for the PAR36 light, as shown and described.

**DESCRIPTION**

FIG. 1 is a perspective view of a PAR36 light showing my new design;

FIG. 2 is a front view thereof;

FIG. 3 is a rear view thereof;

FIG. 4 is a top plan view thereof;

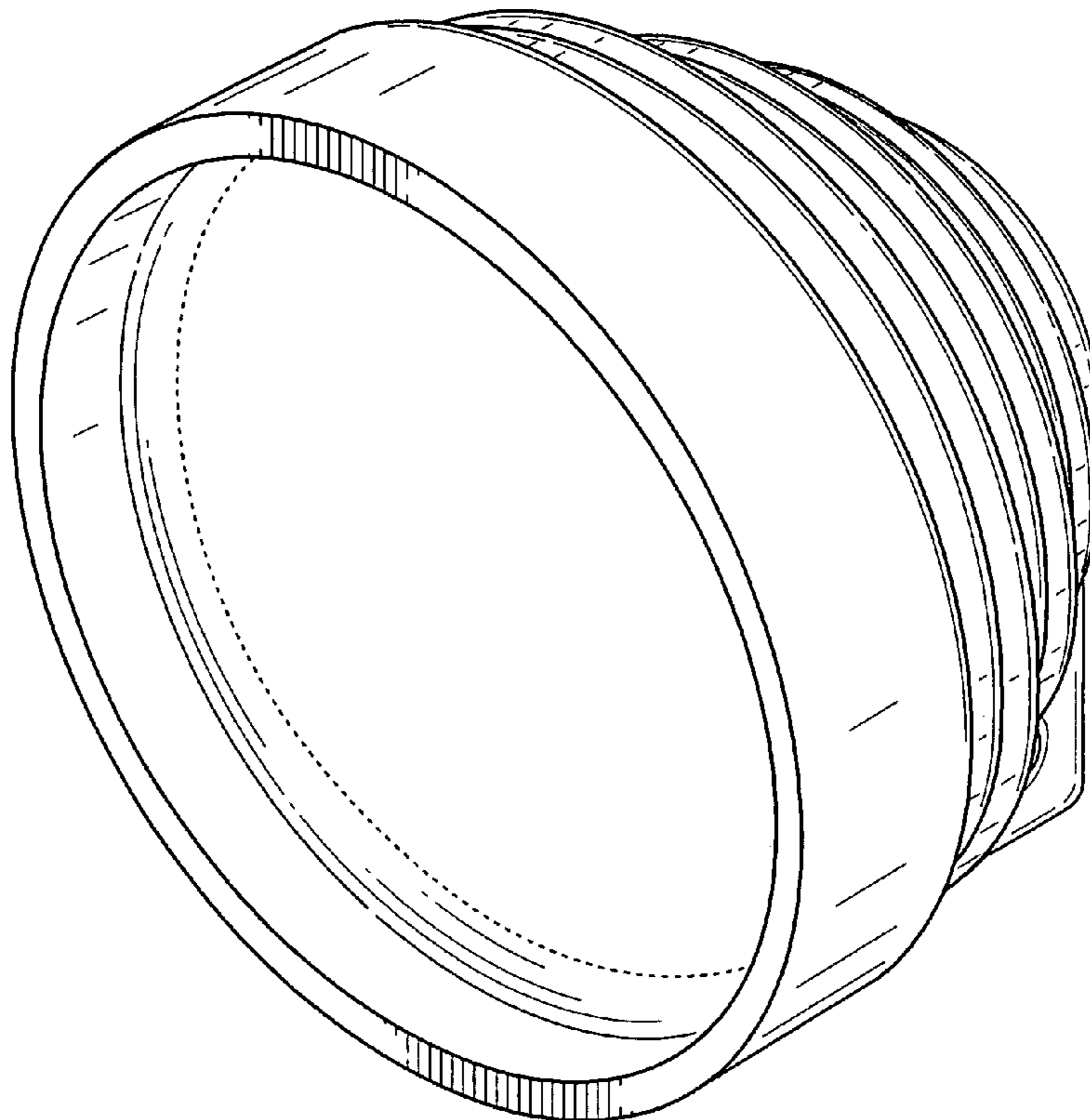
FIG. 5 is a bottom plan view thereof;

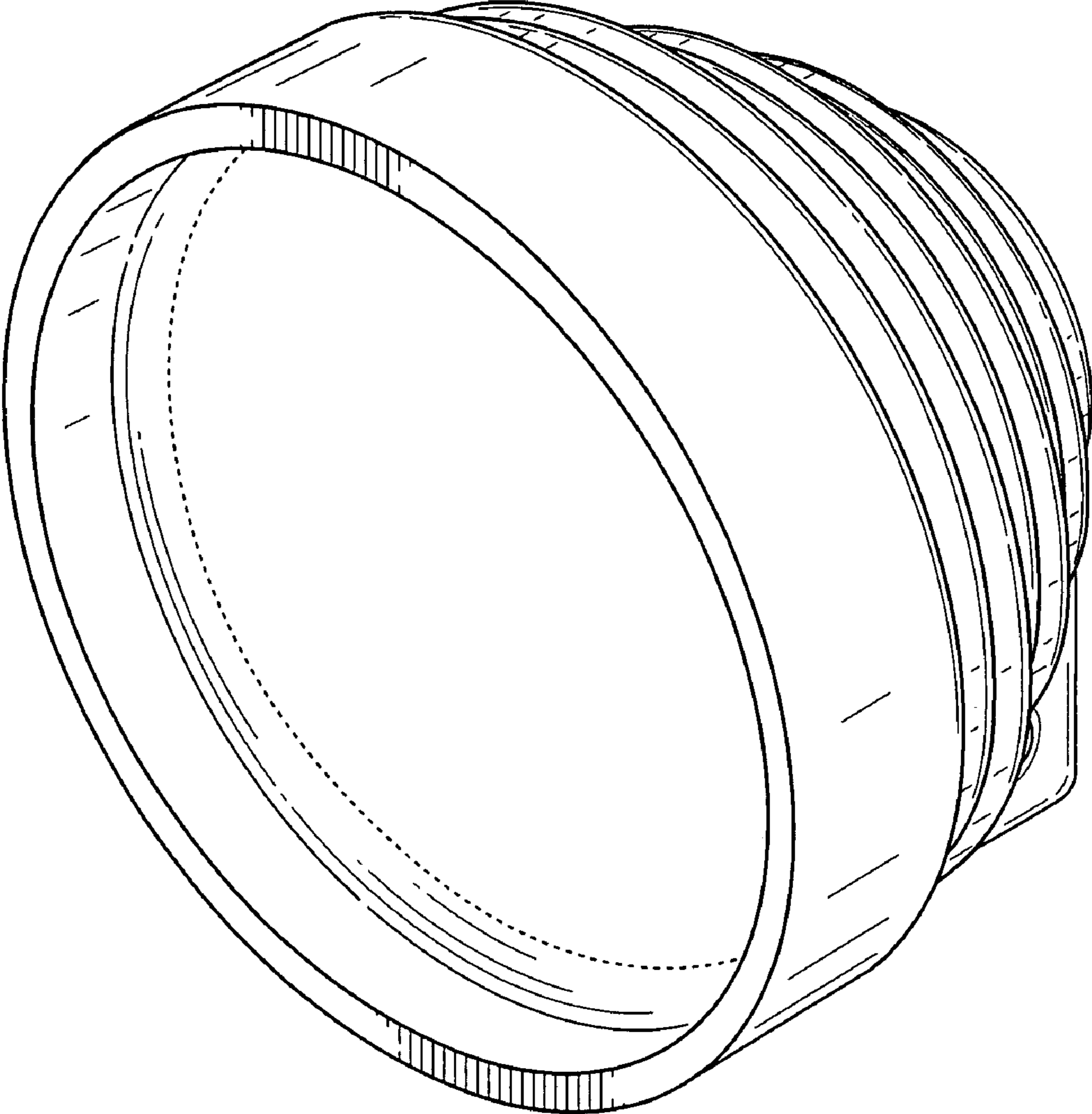
FIG. 6 is a right side view thereof; and,

FIG. 7 is a left side view thereof.

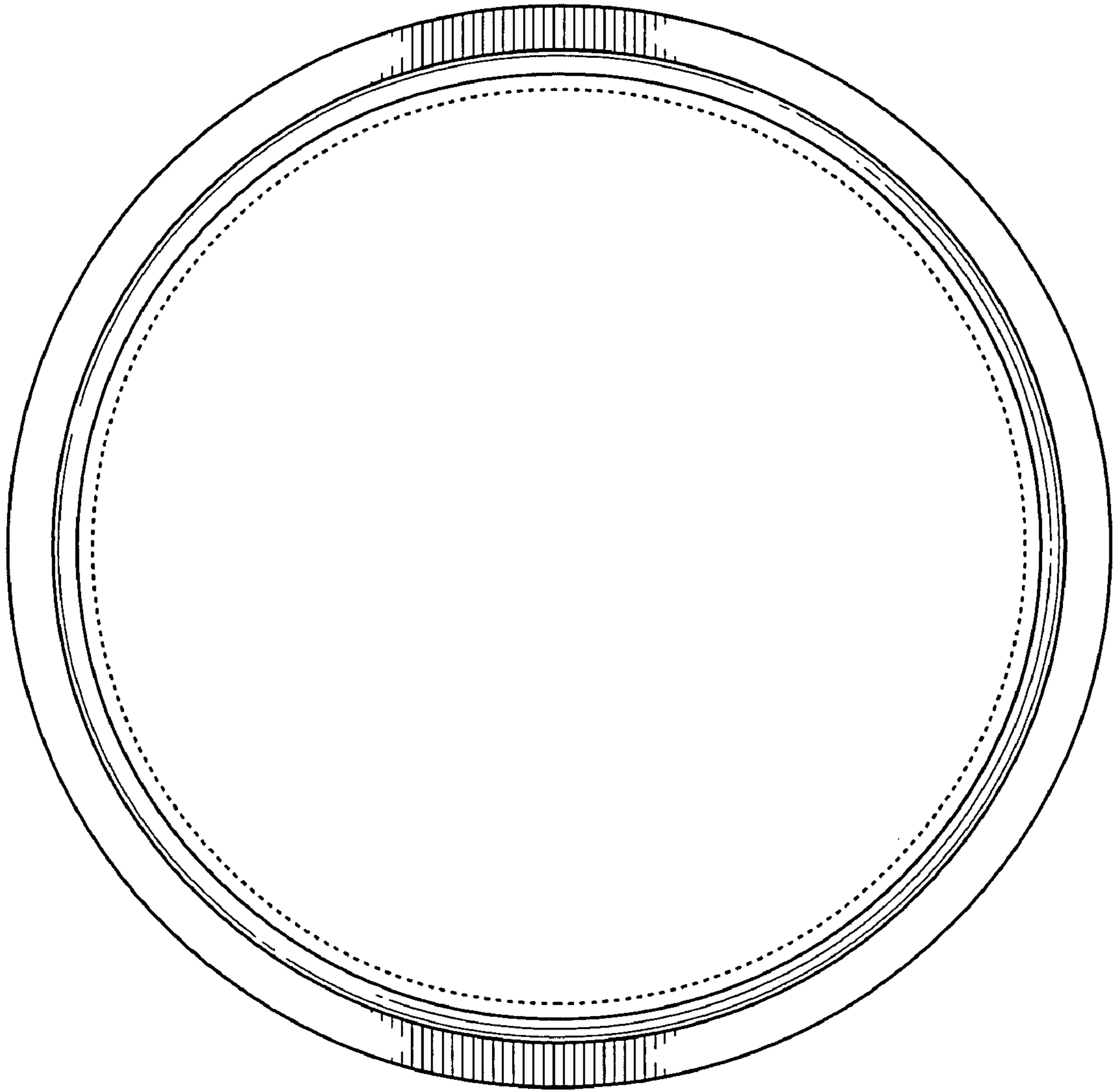
The broken lines in the drawings showing environmental structures form no part of the claimed design.

**1 Claim, 7 Drawing Sheets**

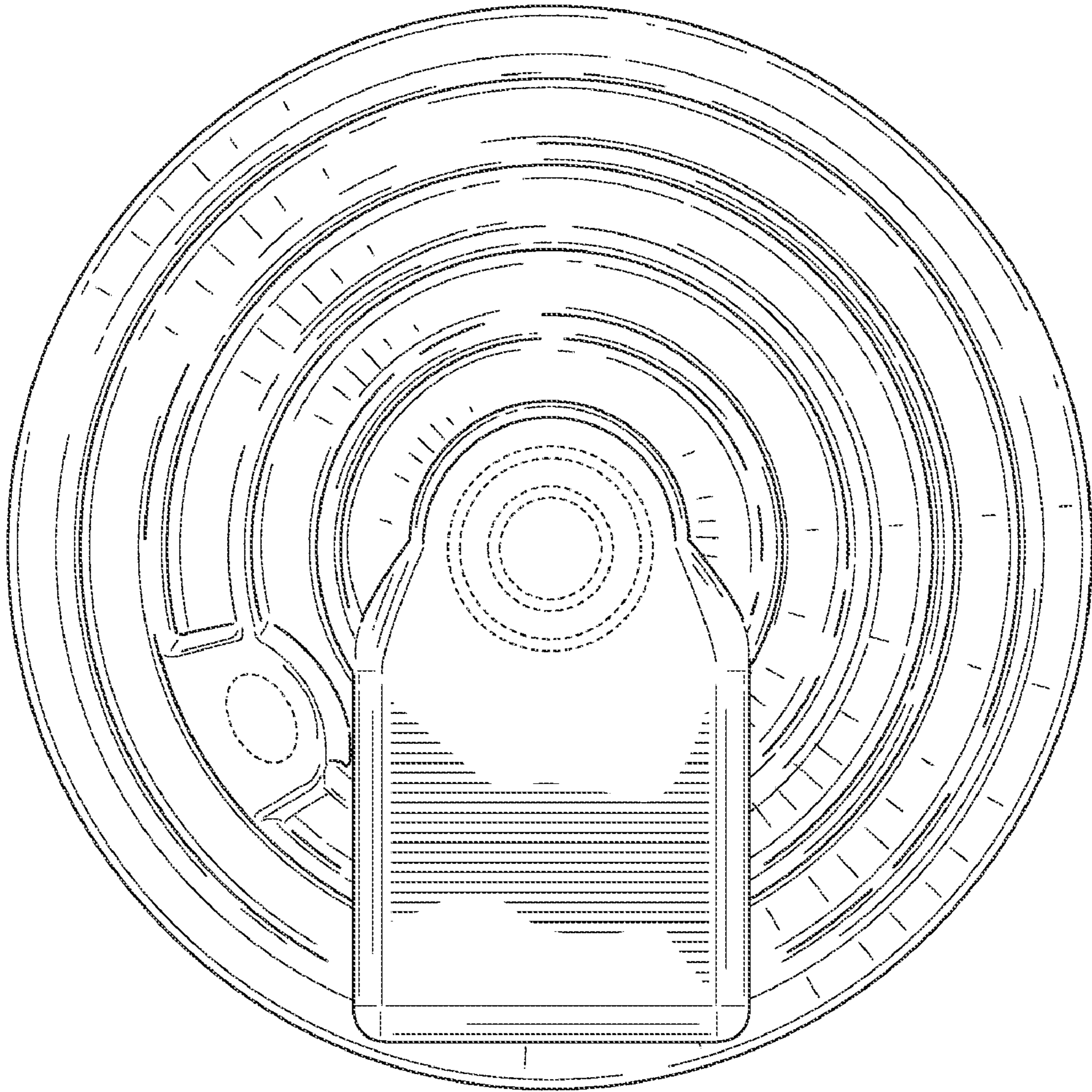




**FIG. 1**



**FIG. 2**



**FIG. 3**

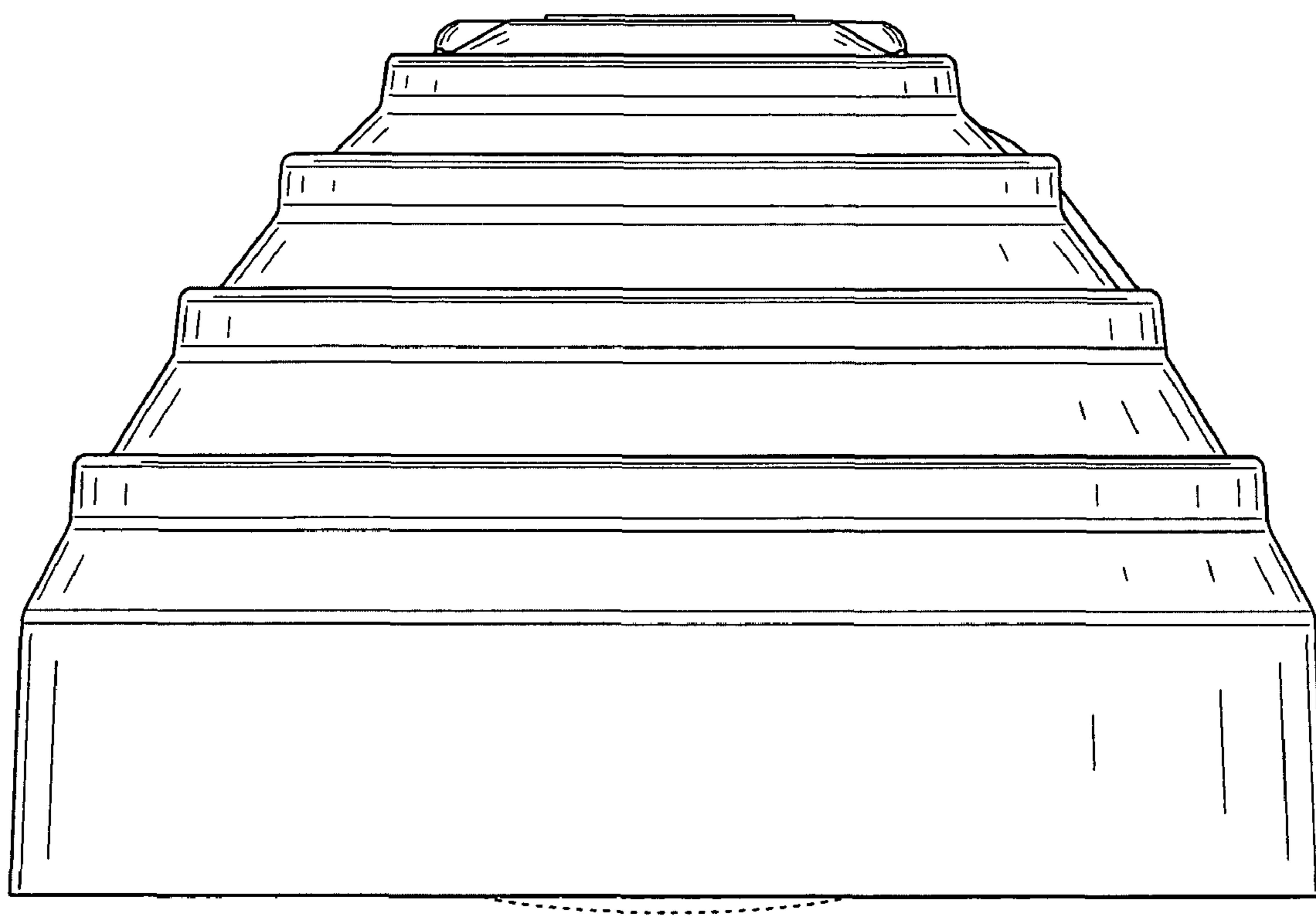


FIG. 4

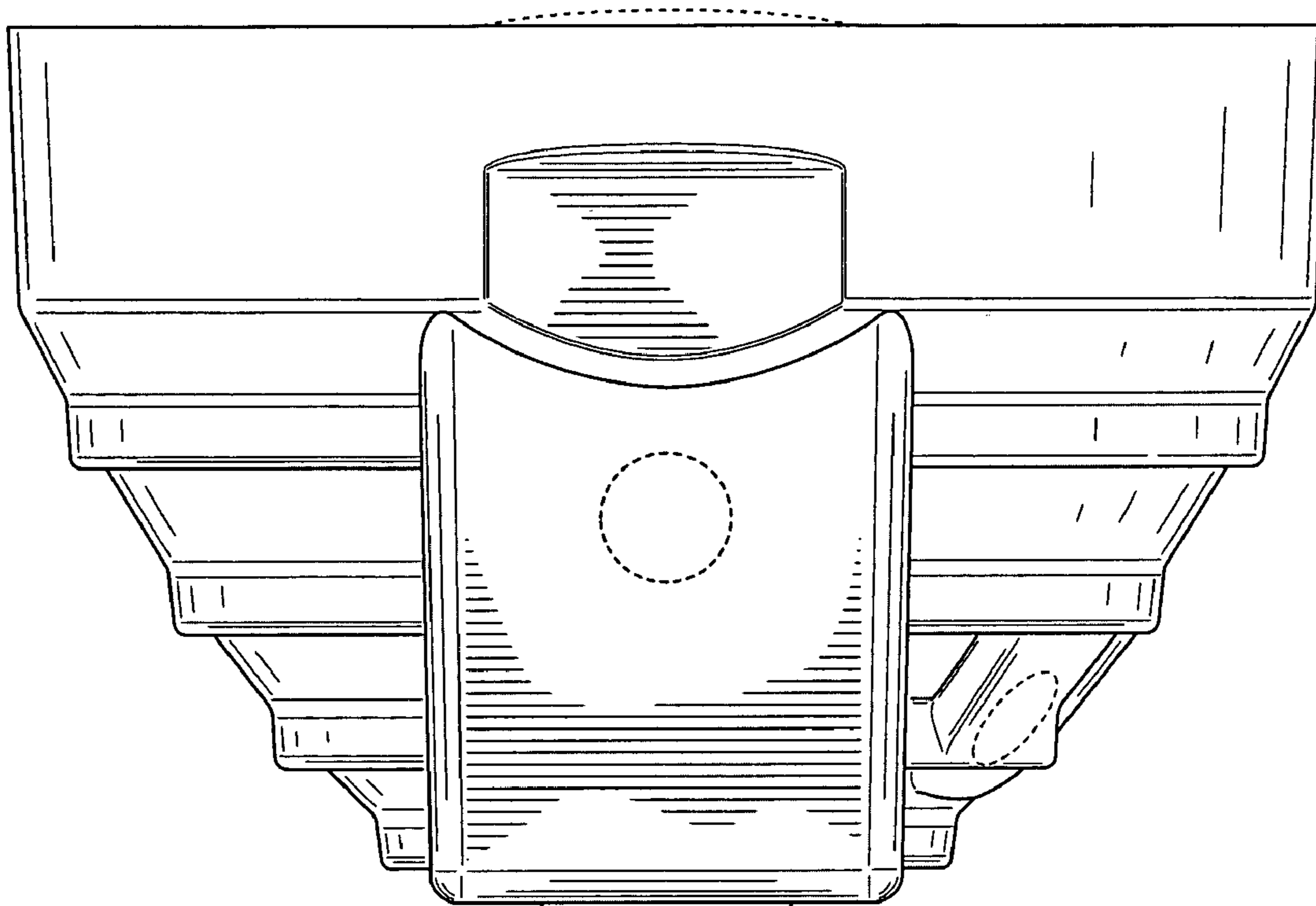
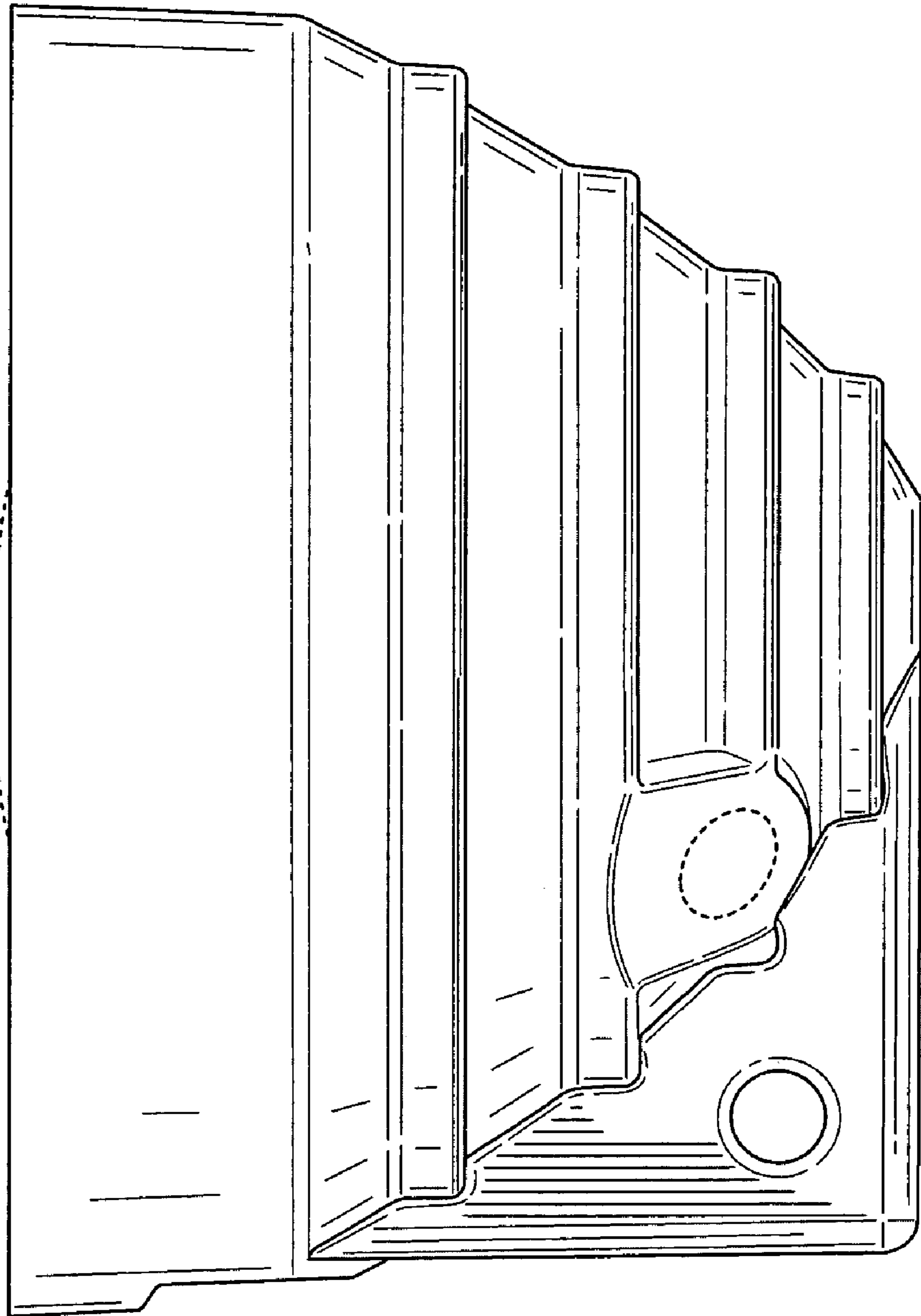
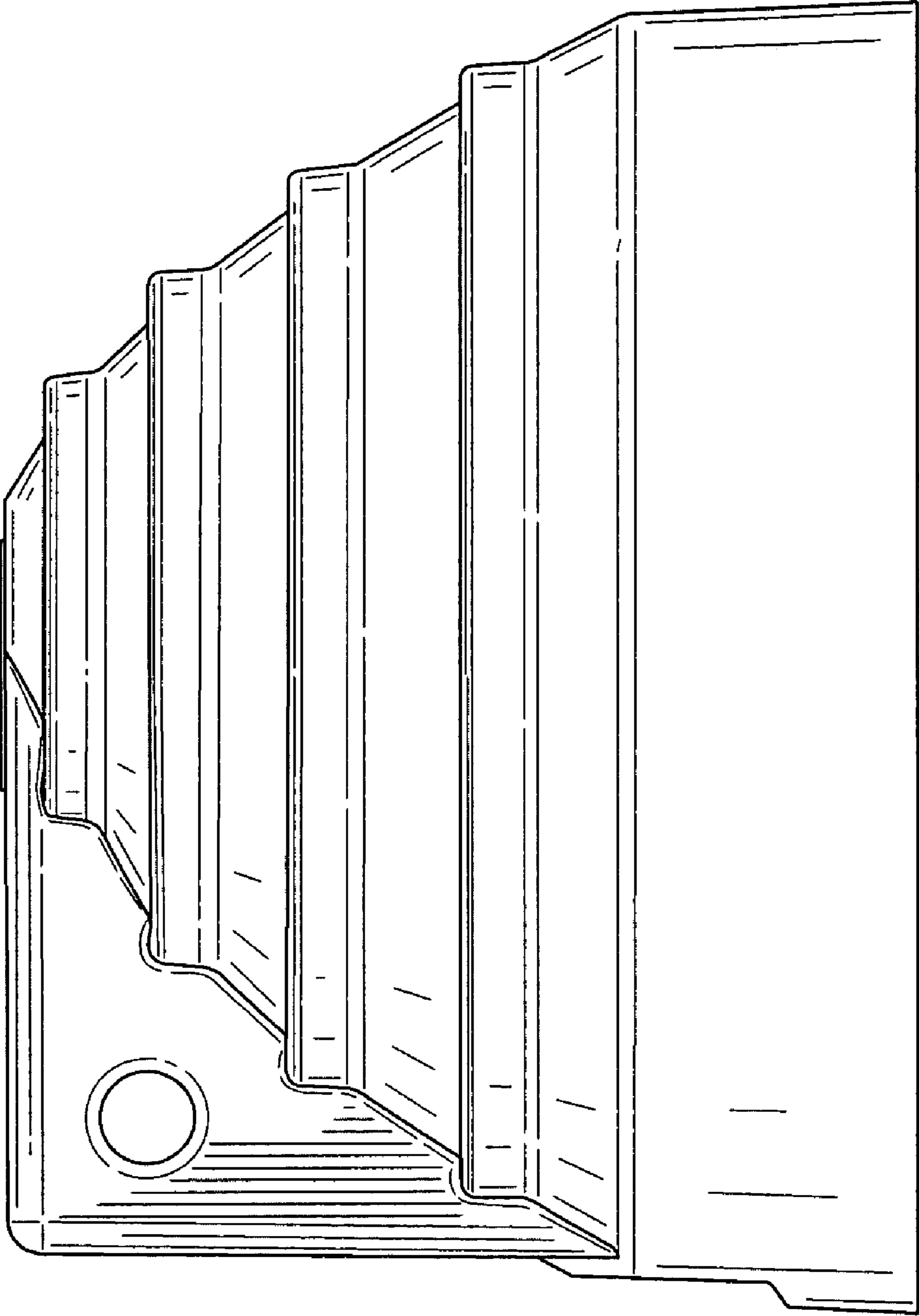


FIG. 5



**FIG. 6**



**FIG. 7**