



US00D622892S

(12) **United States Design Patent**
Nicholas

(10) **Patent No.:** **US D622,892 S**

(45) **Date of Patent:** **** Aug. 31, 2010**

(54) **LIGHTING FIXTURE**

D592,795 S * 5/2009 Chandler D26/88
D592,796 S * 5/2009 Chandler D26/90

(75) Inventor: **Kenneth J. Nicholas**, Parma, OH (US)

OTHER PUBLICATIONS

(73) Assignee: **The L.D. Kichler Co.**, Cleveland, OH (US)

Forma Piccolo Oval Pendant. Model #PS9535-30-15 shown on p. 12 of the Alico Lighting Guide Supplement vol. 1 C. © 2008.*

(**) Term: **14 Years**

* cited by examiner

(21) Appl. No.: **29/330,797**

Primary Examiner—Clare E Heflin

(22) Filed: **Jan. 14, 2009**

(74) *Attorney, Agent, or Firm*—Calfee, Halter & Griswold LLP

(51) **LOC (9) Cl.** **26-03**

(52) **U.S. Cl.** **D26/88; D26/90**

(58) **Field of Classification Search** D26/72,
D26/81–86, 88–91; 362/147, 404–408, 443,
362/457

See application file for complete search history.

(57) **CLAIM**

I claim the ornamental design for a lighting fixture, as shown and described.

(56) **References Cited**

U.S. PATENT DOCUMENTS

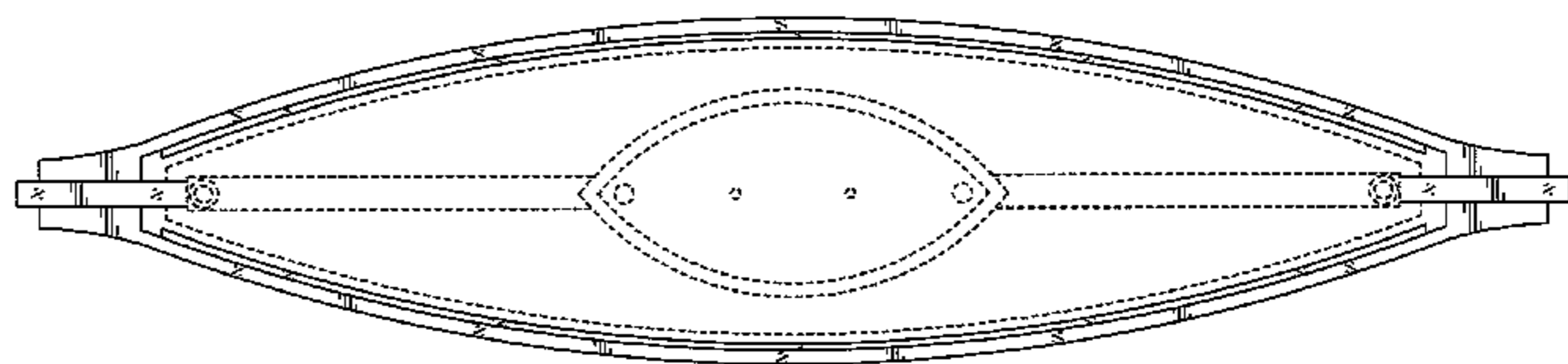
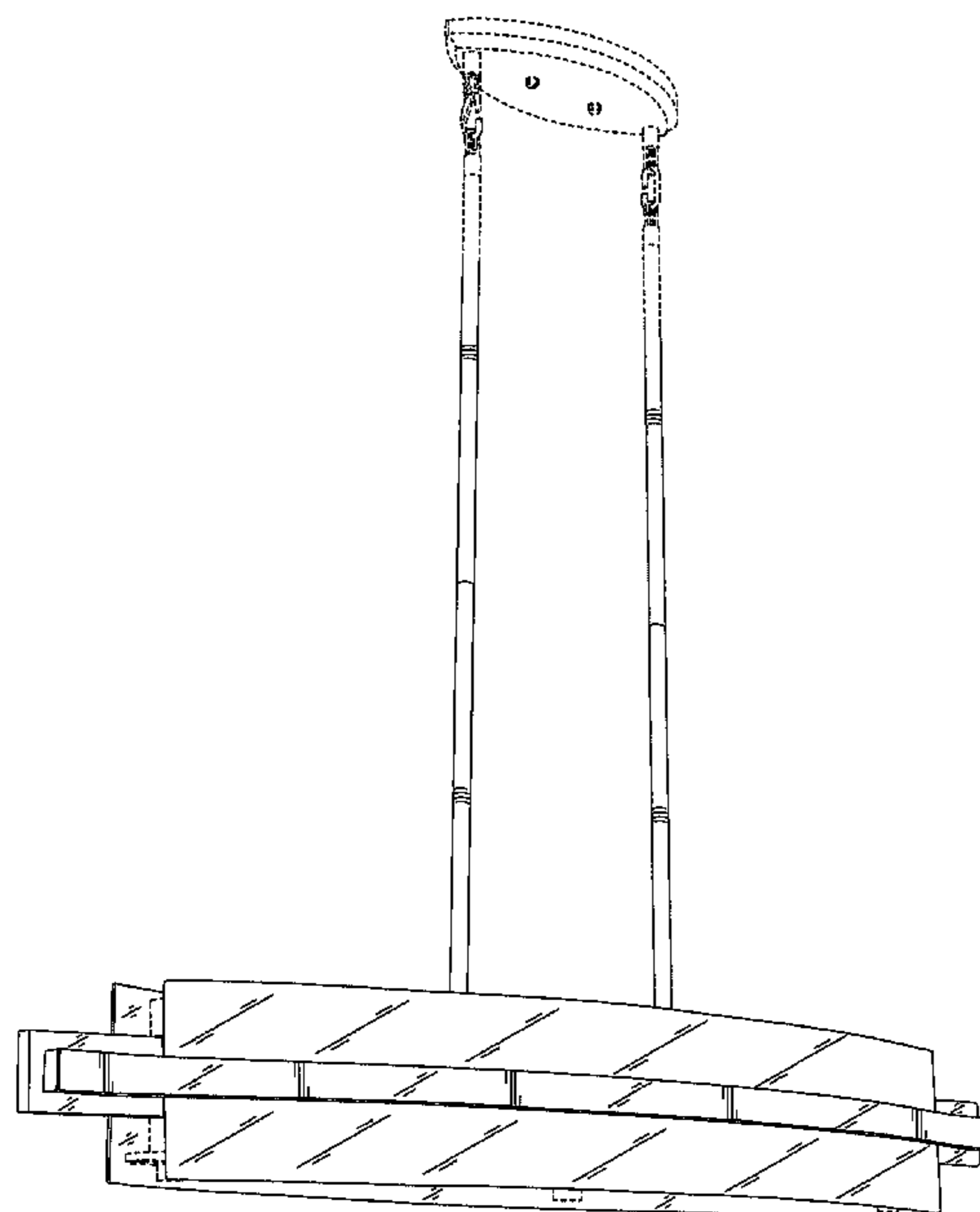
D165,738 S *	1/1952	Brochstein	D26/85
D313,669 S *	1/1991	Sonneman	D26/109
D434,172 S *	11/2000	Bernd	D26/88
D456,550 S *	4/2002	Clodagh	D26/85
D464,759 S *	10/2002	Thompson	D26/89
D468,474 S *	1/2003	Poulton	D26/90
D562,493 S *	2/2008	Chen	D26/88
D575,892 S *	8/2008	Chandler	D26/84
D591,444 S *	4/2009	Beno et al.	D26/88
D592,794 S *	5/2009	Chandler	D26/88

DESCRIPTION

FIG. 1 is a perspective view of a lighting fixture having mirror image symmetry (one hundred eighty degree overall rotational symmetry, and mirror image symmetry along a first vertical imaginary plane and also mirror image symmetry along a second vertical imaginary plane, with the first and second vertical imaginary planes being orthogonal to each other);

FIG. 2 is a top plan view of the lighting fixture of FIG. 1; and, FIG. 3 is a bottom plan view of the lighting fixture of FIG. 1. The broken lines shown on the drawing are for illustrative purposes only and form no part of the claimed design.

1 Claim, 3 Drawing Sheets



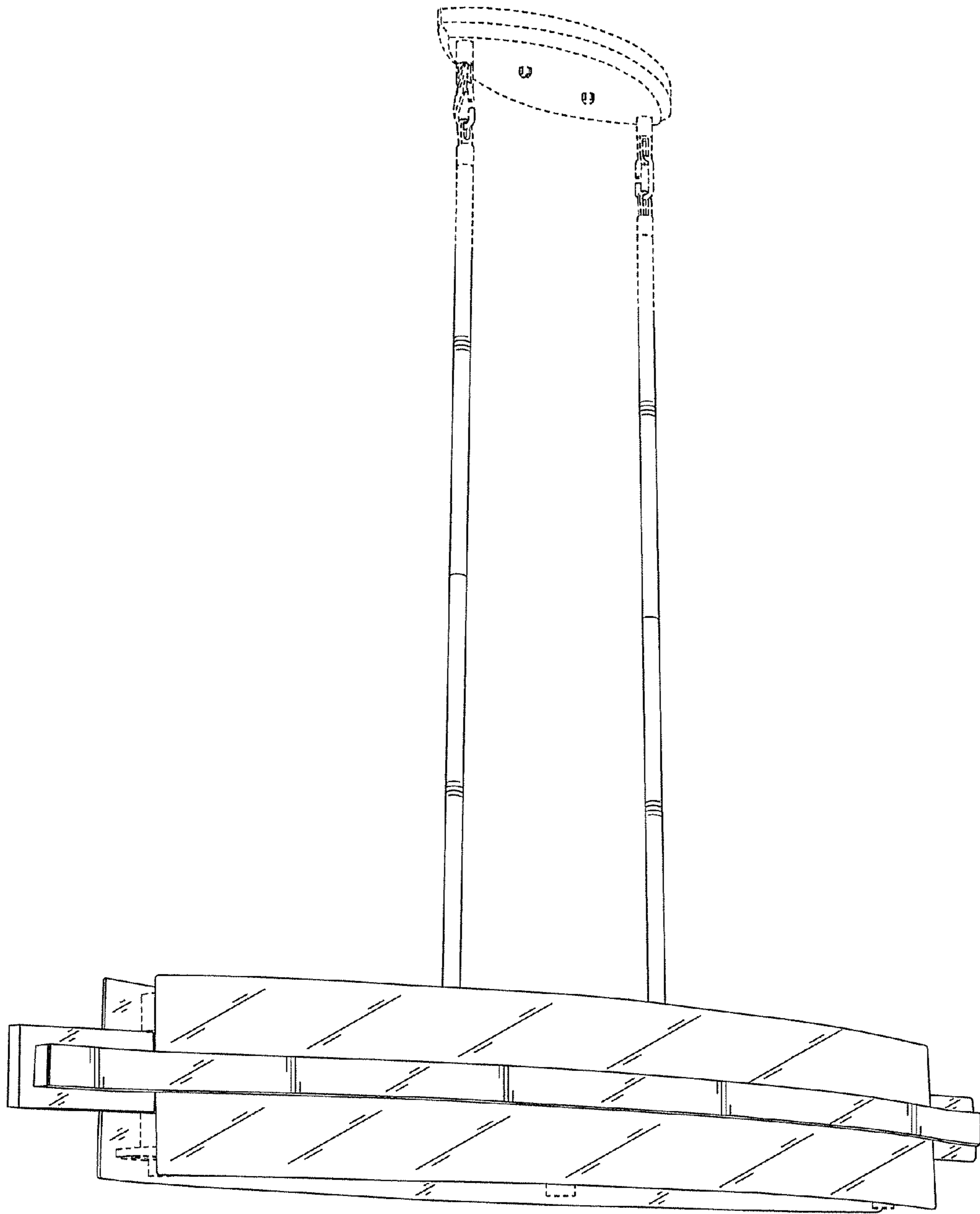


FIG. 1

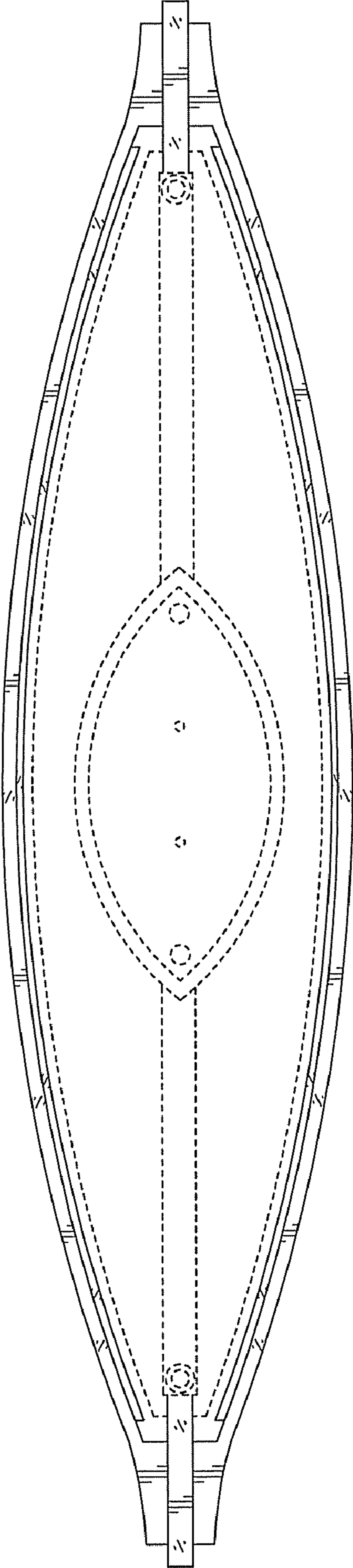


FIG. 2

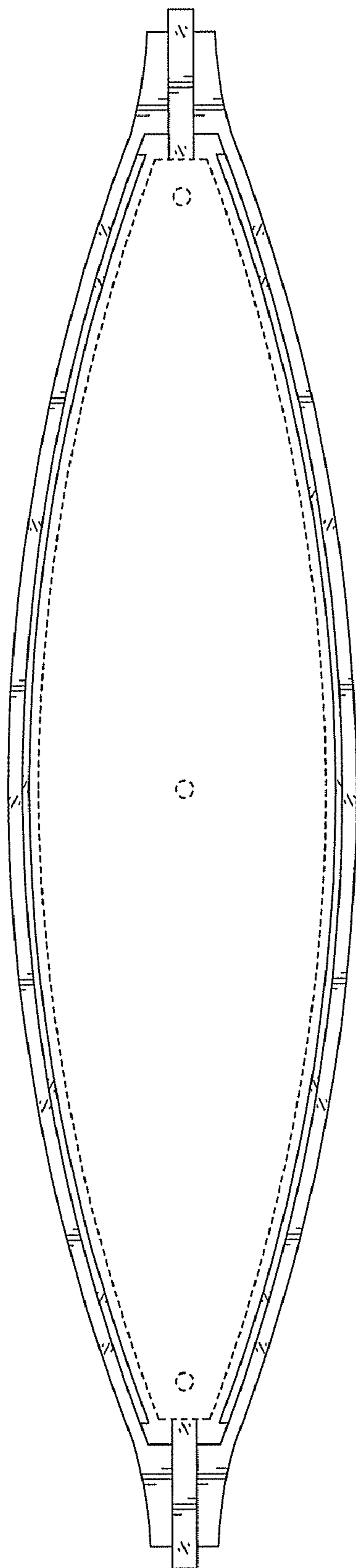


FIG. 3