



US00D622890S

(12) **United States Design Patent**
Mo

(10) **Patent No.:** **US D622,890 S**

(45) **Date of Patent:** **** Aug. 31, 2010**

(54) **LED LAMP**

(75) Inventor: **Ci-Jin Mo**, Shenzhen (CN)

(73) Assignee: **Foxconn Technology Co., Ltd.**,
Tu-Cheng, Taipei Hsien (TW)

(**) Term: **14 Years**

(21) Appl. No.: **29/340,183**

(22) Filed: **Jul. 15, 2009**

(51) **LOC (9) Cl.** **26-05**

(52) **U.S. Cl.** **D26/72; D26/119**

(58) **Field of Classification Search** D26/67-72,
D26/85, 92, 119; 362/145, 183, 249.02,
362/249.03, 249.04, 249.06, 249.16, 231,
362/431

See application file for complete search history.

(56) **References Cited**

U.S. PATENT DOCUMENTS

D200,118 S * 1/1965 Steenhoven D26/71
D573,288 S * 7/2008 Xu et al. D26/67
D573,289 S * 7/2008 Xu et al. D26/67

D573,290 S * 7/2008 Shuai et al. D26/67
D578,694 S * 10/2008 Zeng et al. D26/70
7,611,264 B1 * 11/2009 Chang et al. 362/249.02
7,682,049 B2 * 3/2010 Zheng et al. 362/294
2003/0206416 A1 * 11/2003 Mullally et al. 362/431

* cited by examiner

Primary Examiner—Clare E Heflin

(74) *Attorney, Agent, or Firm*—Frank R. Niranjana

(57) **CLAIM**

The ornamental design for an LED lamp, as shown.

DESCRIPTION

FIG. 1 is a perspective view of an LED lamp showing my new design;

FIG. 2 is a front elevational view thereof;

FIG. 3 is a rear elevational view thereof;

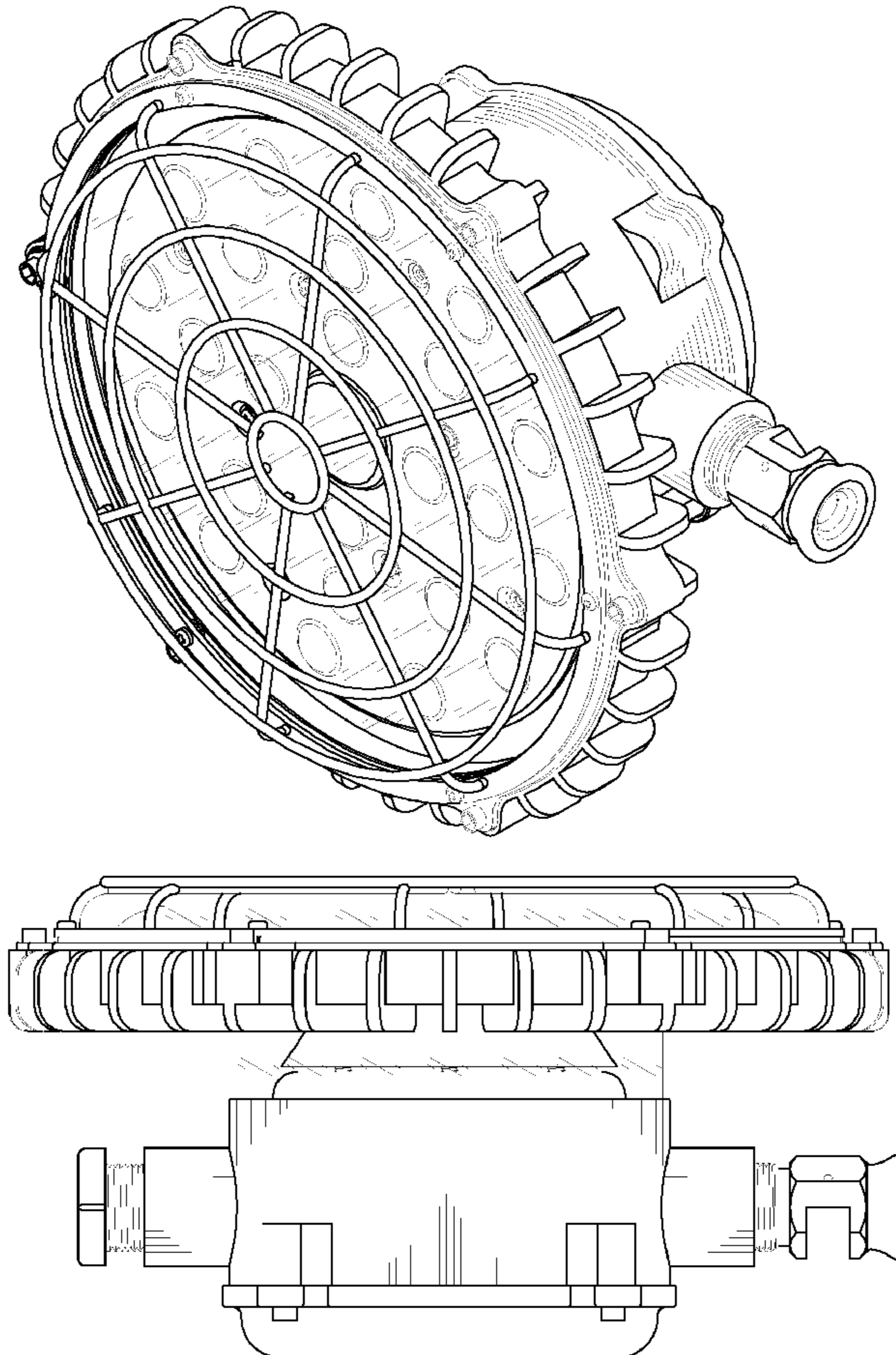
FIG. 4 is a left-side, elevational view thereof;

FIG. 5 is a right-side, elevational view thereof;

FIG. 6 is a top plan view thereof; and,

FIG. 7 is a bottom plan view thereof.

1 Claim, 7 Drawing Sheets



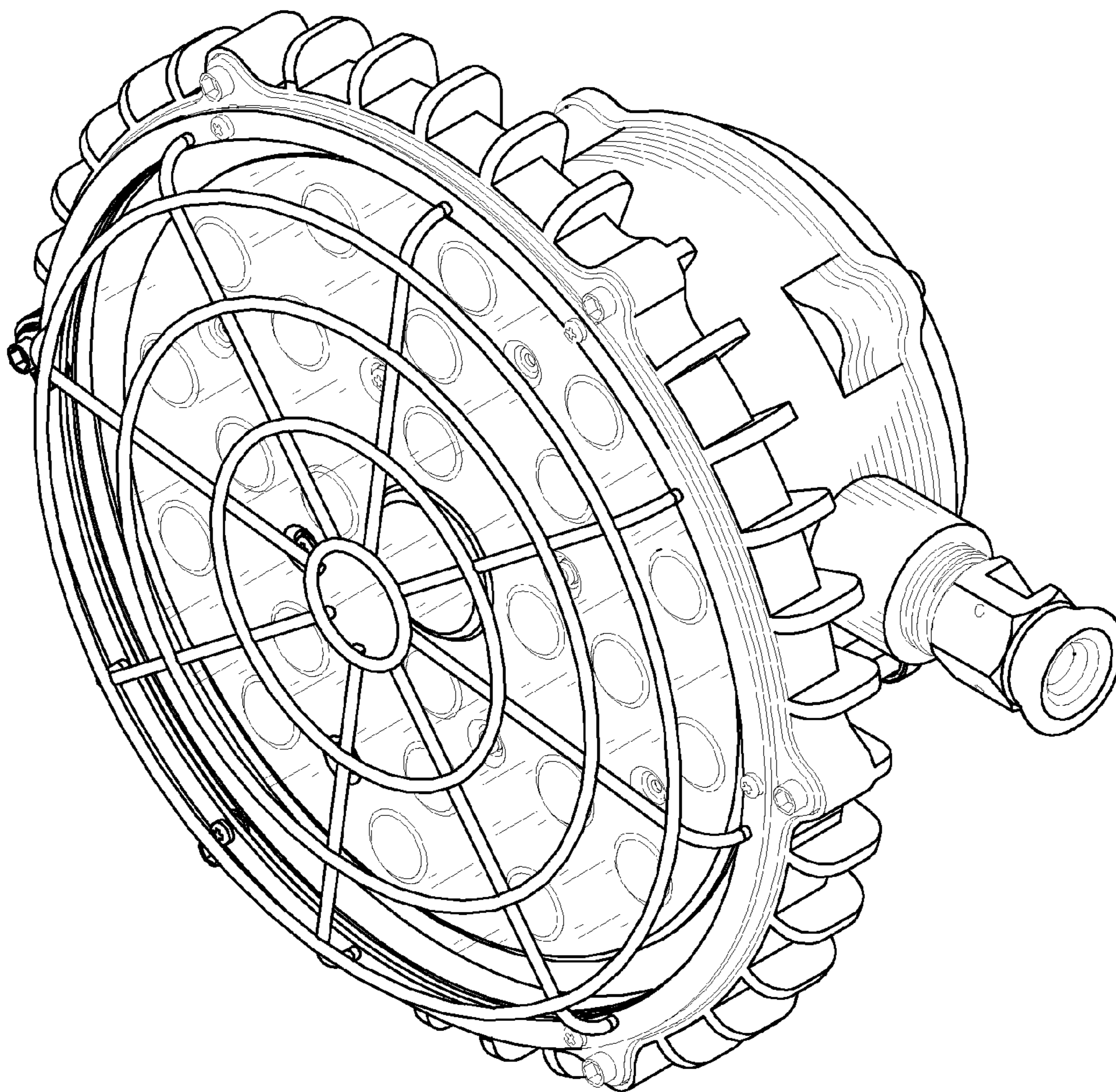


FIG. 1

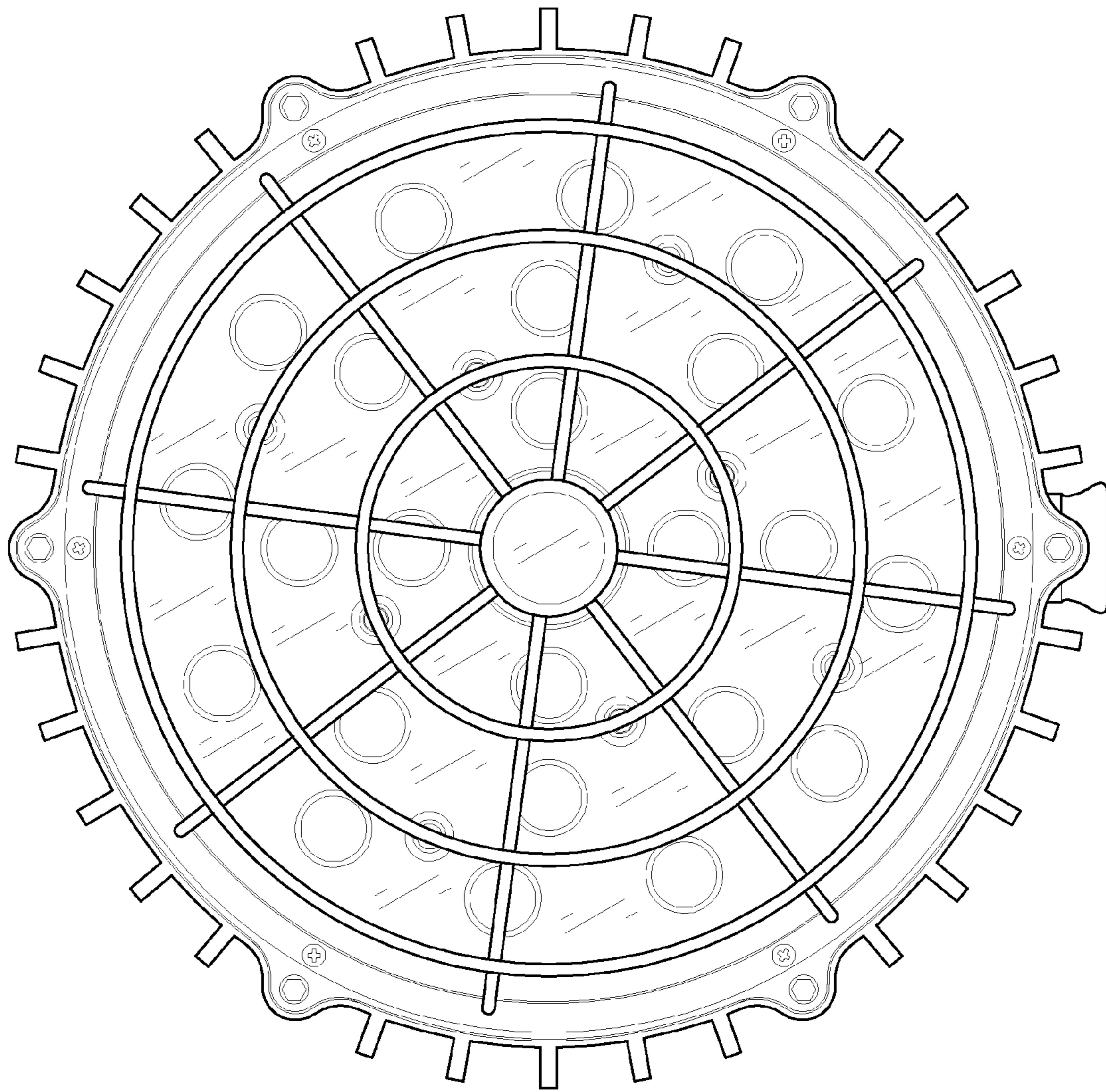


FIG. 2

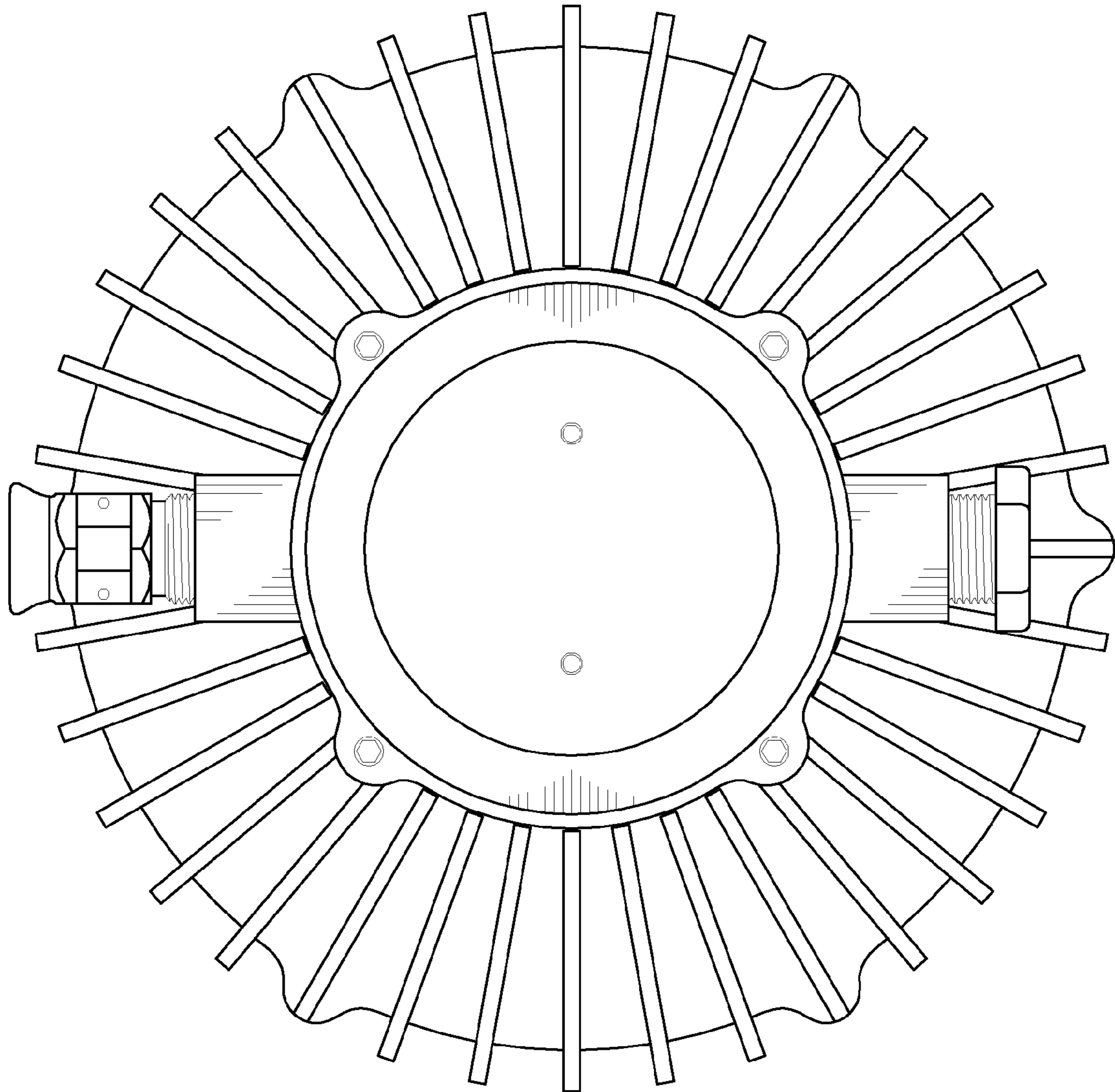


FIG. 3

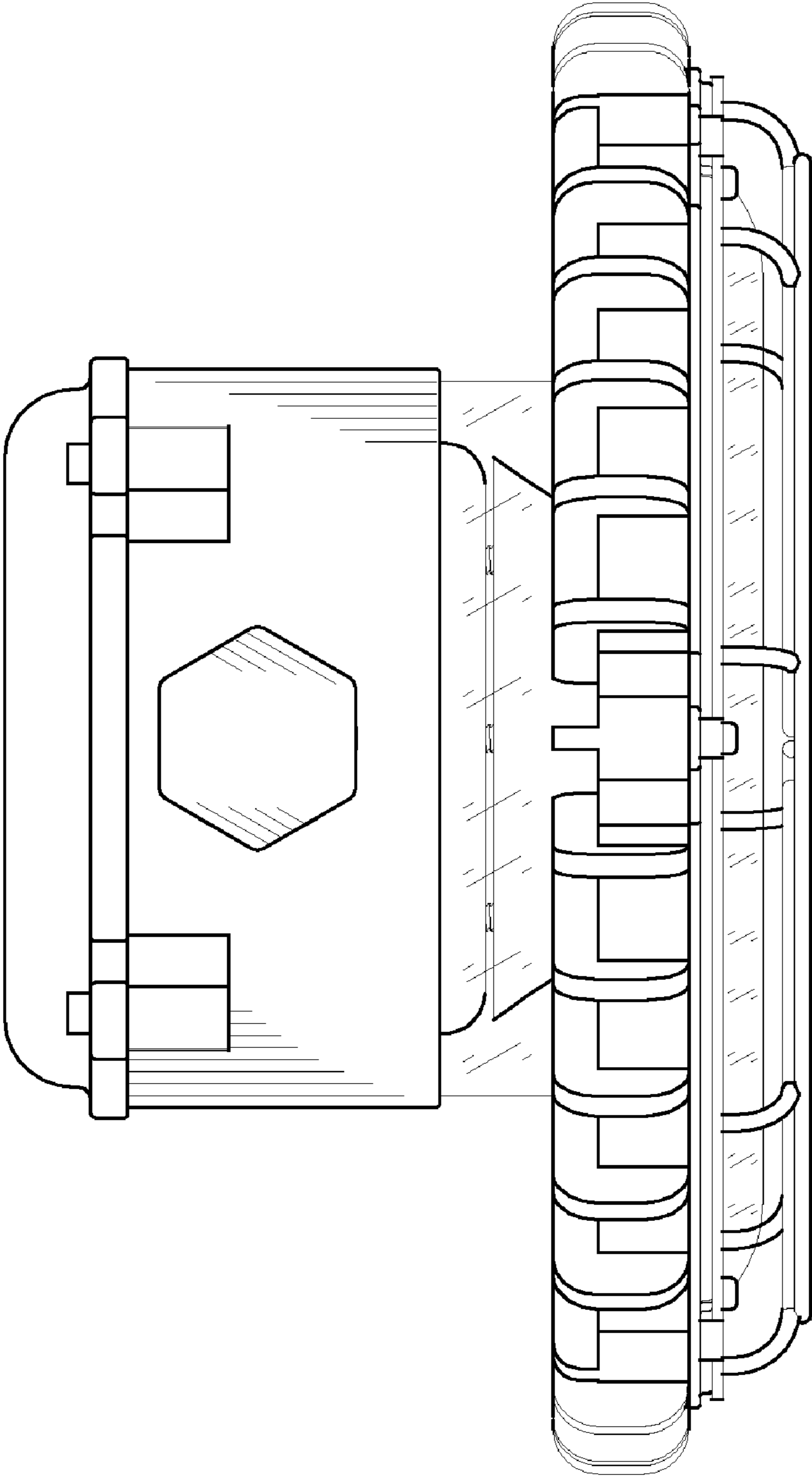


FIG. 4

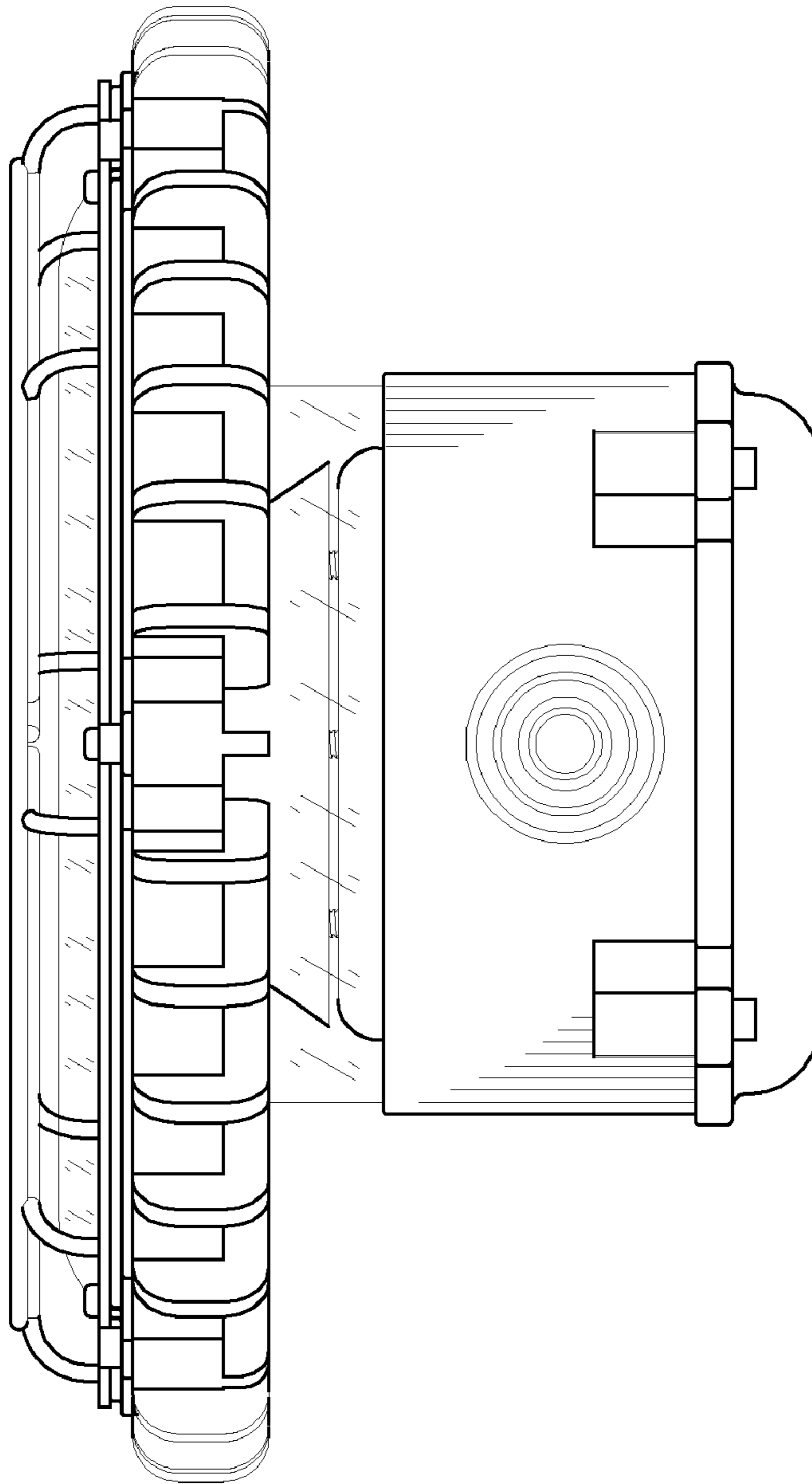


FIG. 5

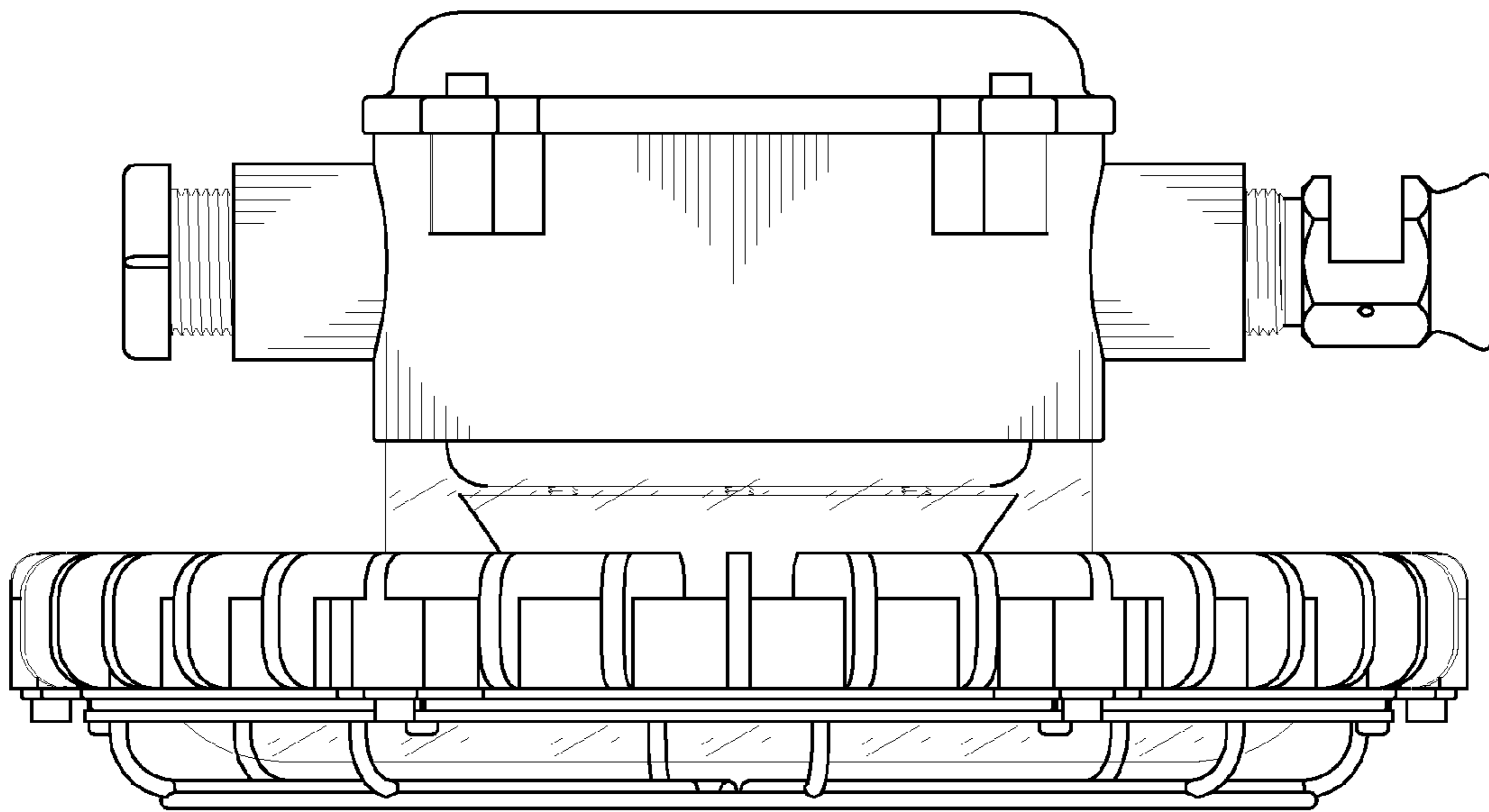


FIG. 6

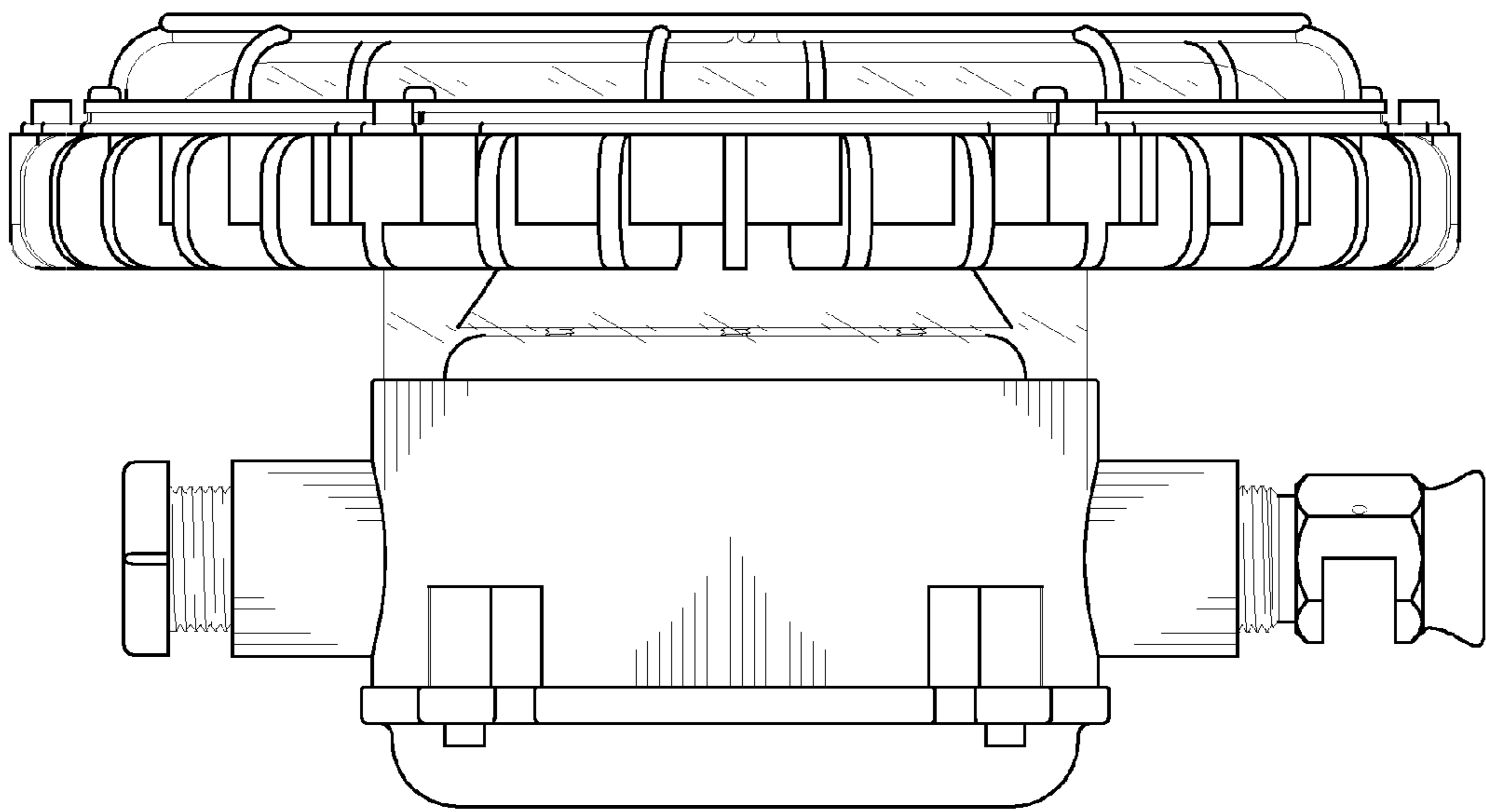


FIG. 7