



US00D622889S

(12) **United States Design Patent**
Zheng

(10) **Patent No.:** **US D622,889 S**

(45) **Date of Patent:** **** Aug. 31, 2010**

(54) **LED LAMP**

(75) Inventor: **Shi-Song Zheng**, Shenzhen (CN)

(73) Assignee: **Foxconn Technology Co., Ltd.**,
Tu-Cheng, Taipei Hsien (TW)

(**) Term: **14 Years**

(21) Appl. No.: **29/357,755**

(22) Filed: **Mar. 17, 2010**

(30) **Foreign Application Priority Data**

Jan. 25, 2010 (CN) 2010 3 0301982

(51) **LOC (9) Cl.** **26-05**

(52) **U.S. Cl.** **D26/71**

(58) **Field of Classification Search** D26/67-71,
D26/85, 92; 362/145, 183, 249.02, 249.03,
362/249.04, 249.06, 249.16, 231, 431
See application file for complete search history.

(56) **References Cited**

U.S. PATENT DOCUMENTS

D391,659 S * 3/1998 Gaskins et al. D26/71
6,942,361 B1 * 9/2005 Kishimura et al. 362/240
D599,939 S * 9/2009 Zheng et al. D26/71
D599,940 S * 9/2009 Zheng D26/71

D608,927 S * 1/2010 Hsu et al. D26/71
7,682,055 B2 * 3/2010 Shuai et al. 362/373
D614,791 S * 4/2010 Nibaldi D26/71
D615,234 S * 5/2010 Oblak D26/71
2009/0103300 A1 * 4/2009 Chang 362/249.02
2009/0154161 A1 * 6/2009 Parker et al. 362/249.05
2009/0244895 A1 * 10/2009 Chen 362/249.02
2009/0251898 A1 * 10/2009 Kinnune et al. 362/249.02
2009/0310363 A1 * 12/2009 Liu et al. 362/249.02

* cited by examiner

Primary Examiner—Clare E Heflin

(74) *Attorney, Agent, or Firm*—Zhigang Ma

(57) **CLAIM**

The ornamental design for an LED lamp, as shown.

DESCRIPTION

FIG. 1 is a perspective view of an LED lamp showing my new design.

FIG. 2 is a front elevational view thereof.

FIG. 3 is a rear elevational view thereof.

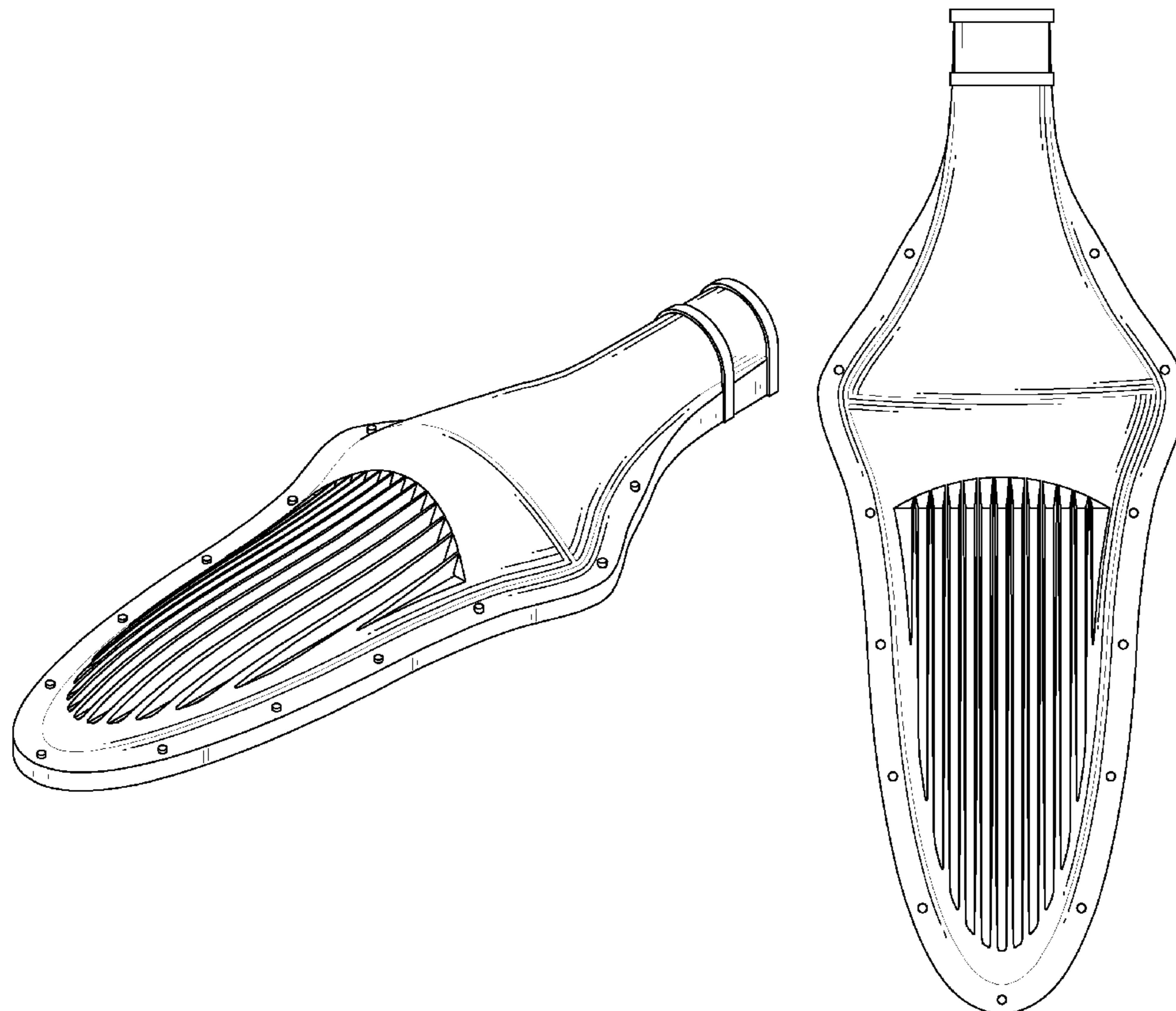
FIG. 4 is a left-side, elevational view thereof.

FIG. 5 is a right-side, elevational view thereof.

FIG. 6 is a top plan view thereof; and,

FIG. 7 is a bottom plan view thereof.

1 Claim, 7 Drawing Sheets



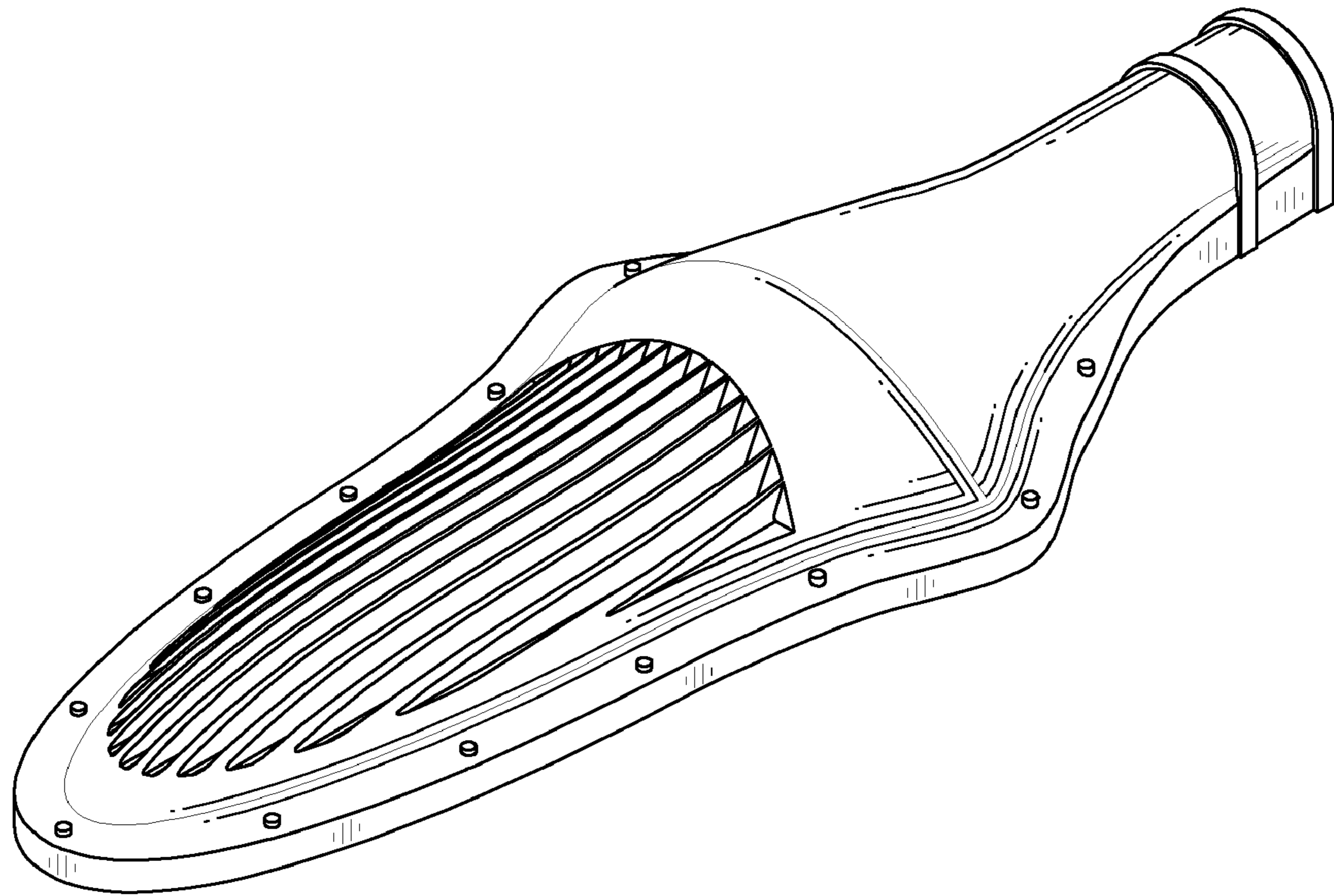


FIG. 1

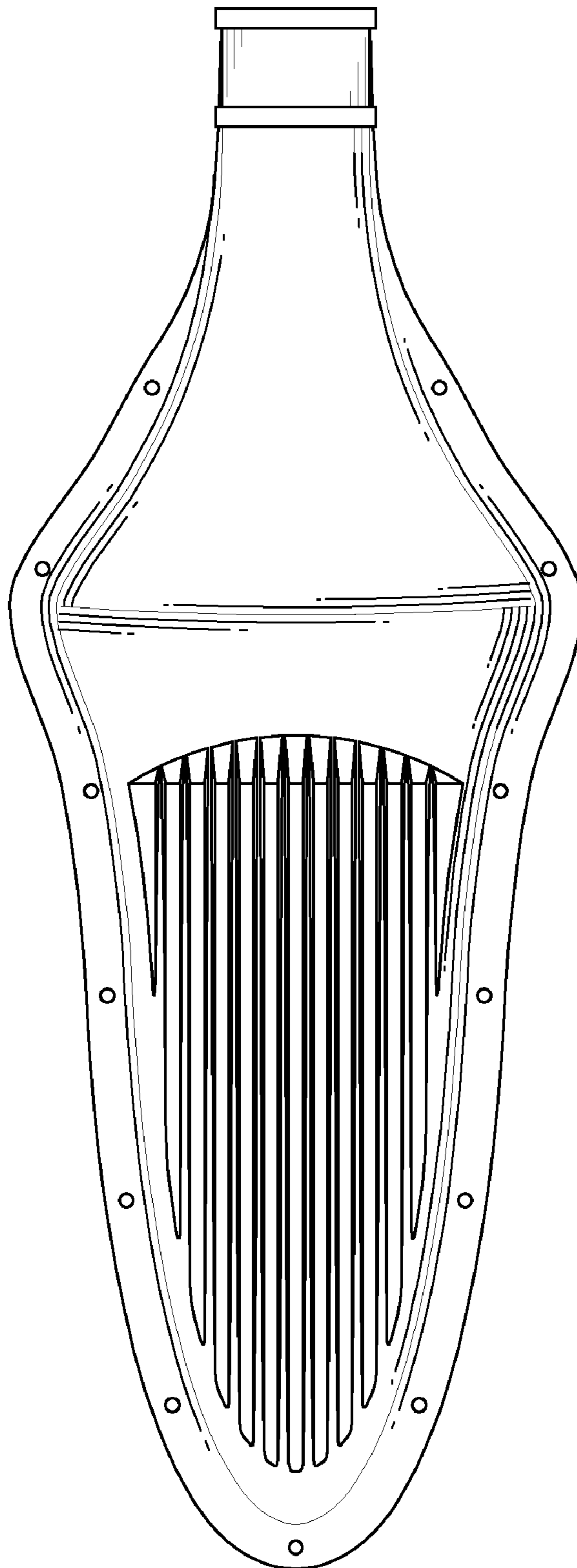


FIG. 2

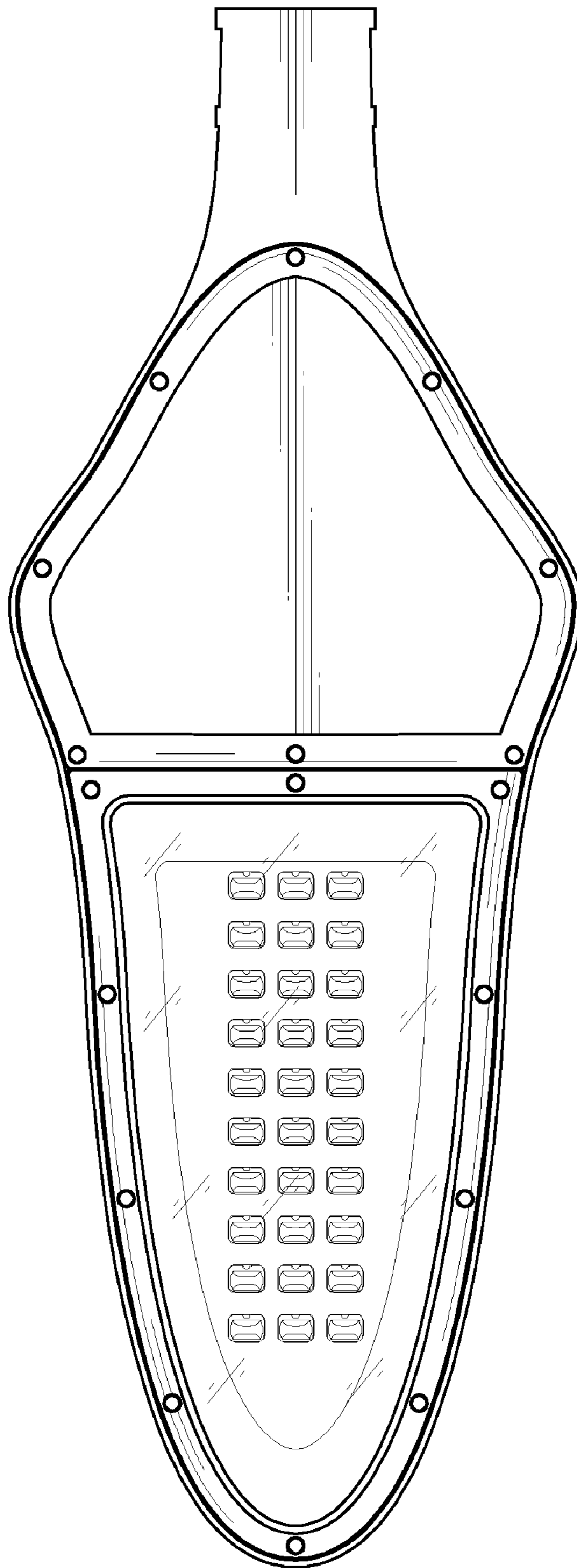


FIG. 3

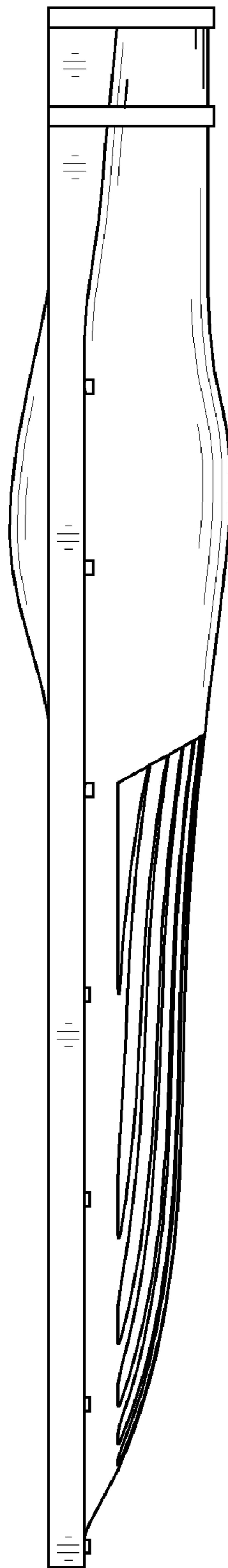


FIG. 4

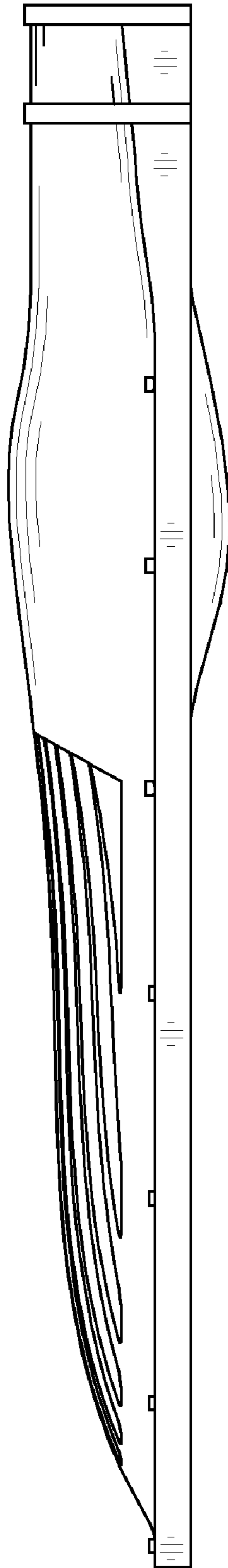


FIG. 5

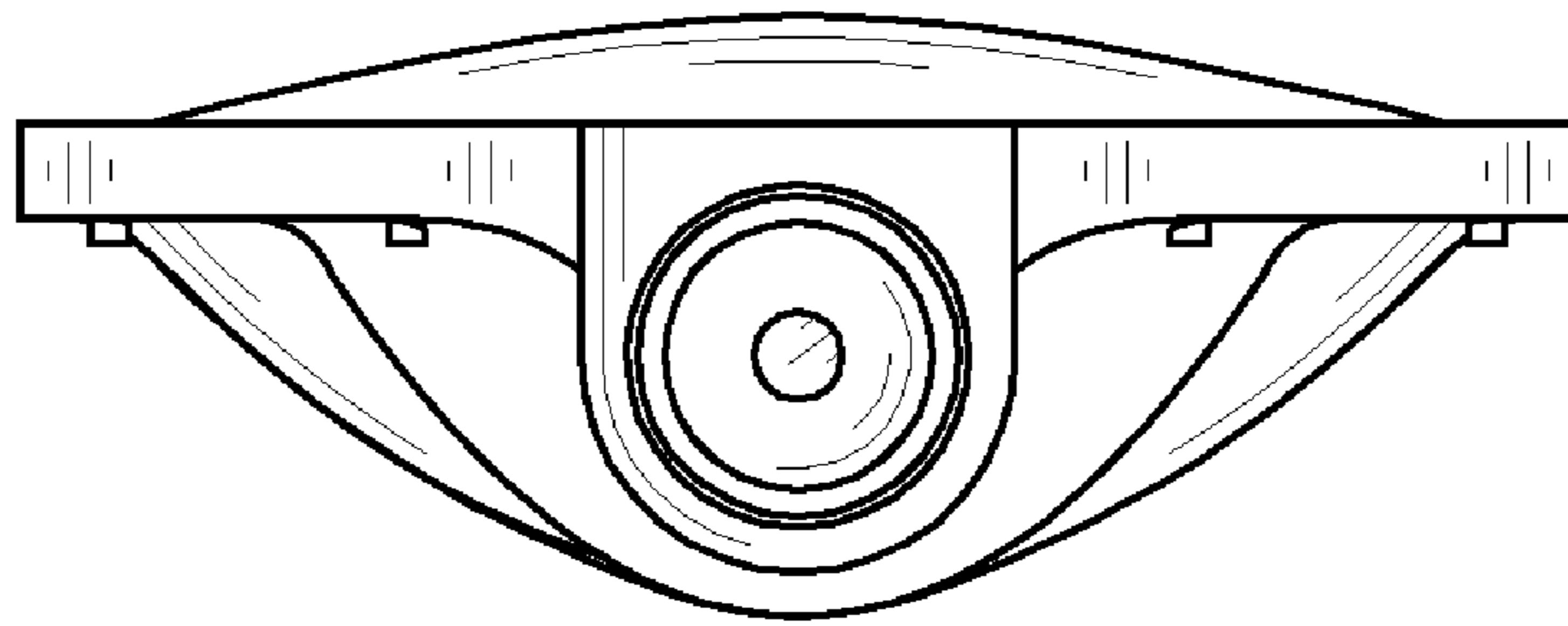


FIG. 6

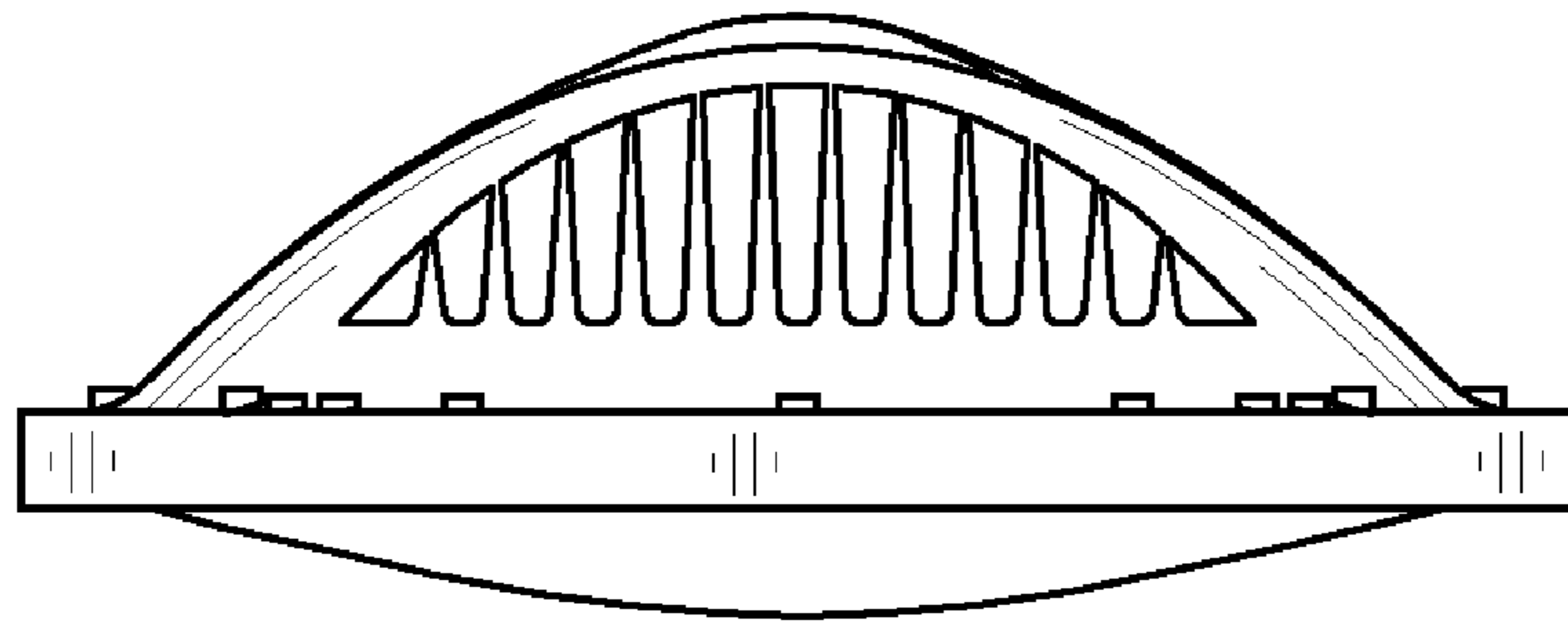


FIG. 7