



US00D622888S

(12) **United States Design Patent**
Chakravarty et al.

(10) **Patent No.:** **US D622,888 S**

(45) **Date of Patent:** **** Aug. 31, 2010**

(54) **LIGHT DEVICE**

(75) Inventors: **Jyotirmoy Chakravarty**, Piechowice (PL); **Prashant Kumar**, New Delhi (IN)

(73) Assignee: **Green star Products, Inc.**, Boerne, TX (US)

(**) Term: **14 Years**

(21) Appl. No.: **29/341,443**

(22) Filed: **Aug. 5, 2009**

(51) **LOC (9) Cl.** **26-05**

(52) **U.S. Cl.** **D26/71; D26/65**

(58) **Field of Classification Search** D26/61, D26/63, 65, 67-71, 85, 92; 362/145, 183, 362/249.02, 249.03, 249.04, 249.06, 249.07, 362/249.09, 249.1, 249.16, 231, 431
See application file for complete search history.

(56) **References Cited**

U.S. PATENT DOCUMENTS

D192,041	S	*	1/1962	Izzi	D26/71
D192,260	S	*	2/1962	Fahey, Jr.	D26/71
4,323,956	A	*	4/1982	Pustka	362/374
D391,659	S	*	3/1998	Gaskins et al.	D26/71
D601,292	S	*	9/2009	Yan et al.	D26/71

7,665,856	B2	*	2/2010	Ono et al.	362/11
7,682,055	B2	*	3/2010	Shuai et al.	362/373
D615,233	S	*	5/2010	Josefowicz et al.	D26/71
D615,234	S	*	5/2010	Oblak	D26/71
2009/0244895	A1	*	10/2009	Chen	362/249.02
2009/0251898	A1	*	10/2009	Kinnune et al.	362/249.02
2009/0268463	A1	*	10/2009	Huang et al.	362/249.02
2009/0310363	A1	*	12/2009	Liu et al.	362/249.02

* cited by examiner

Primary Examiner—Clare E Heflin

(57) **CLAIM**

The ornamental design for a light device, as shown and described.

DESCRIPTION

FIG. 1 is a top perspective view of the light device showing the new design;

FIG. 2 is a front elevational view thereof;

FIG. 3 is a rear elevational view thereof;

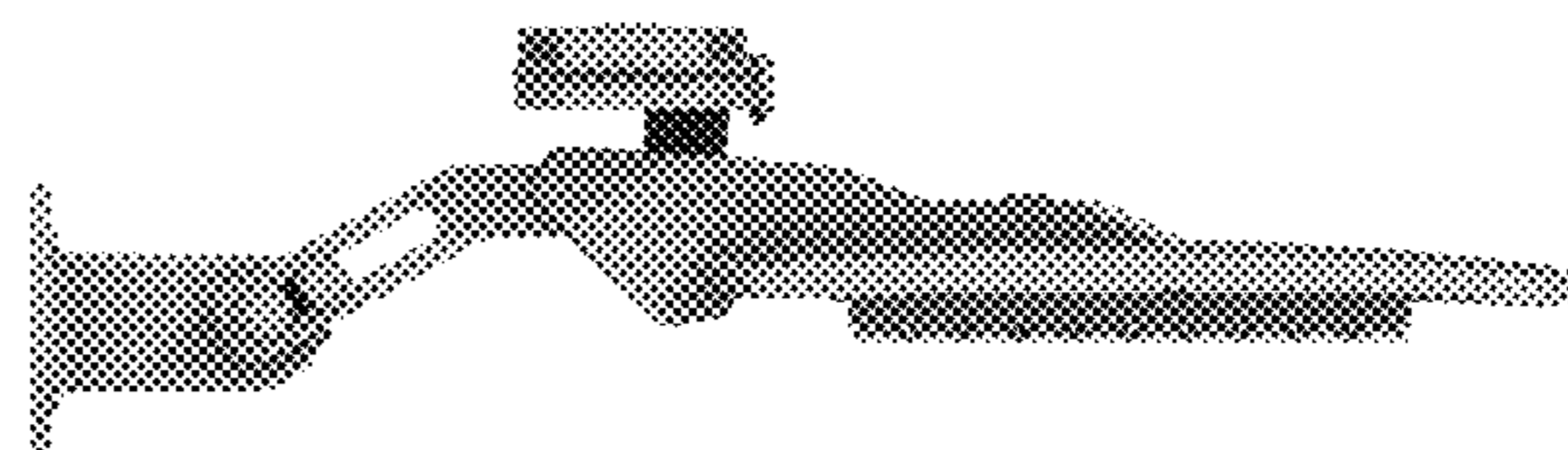
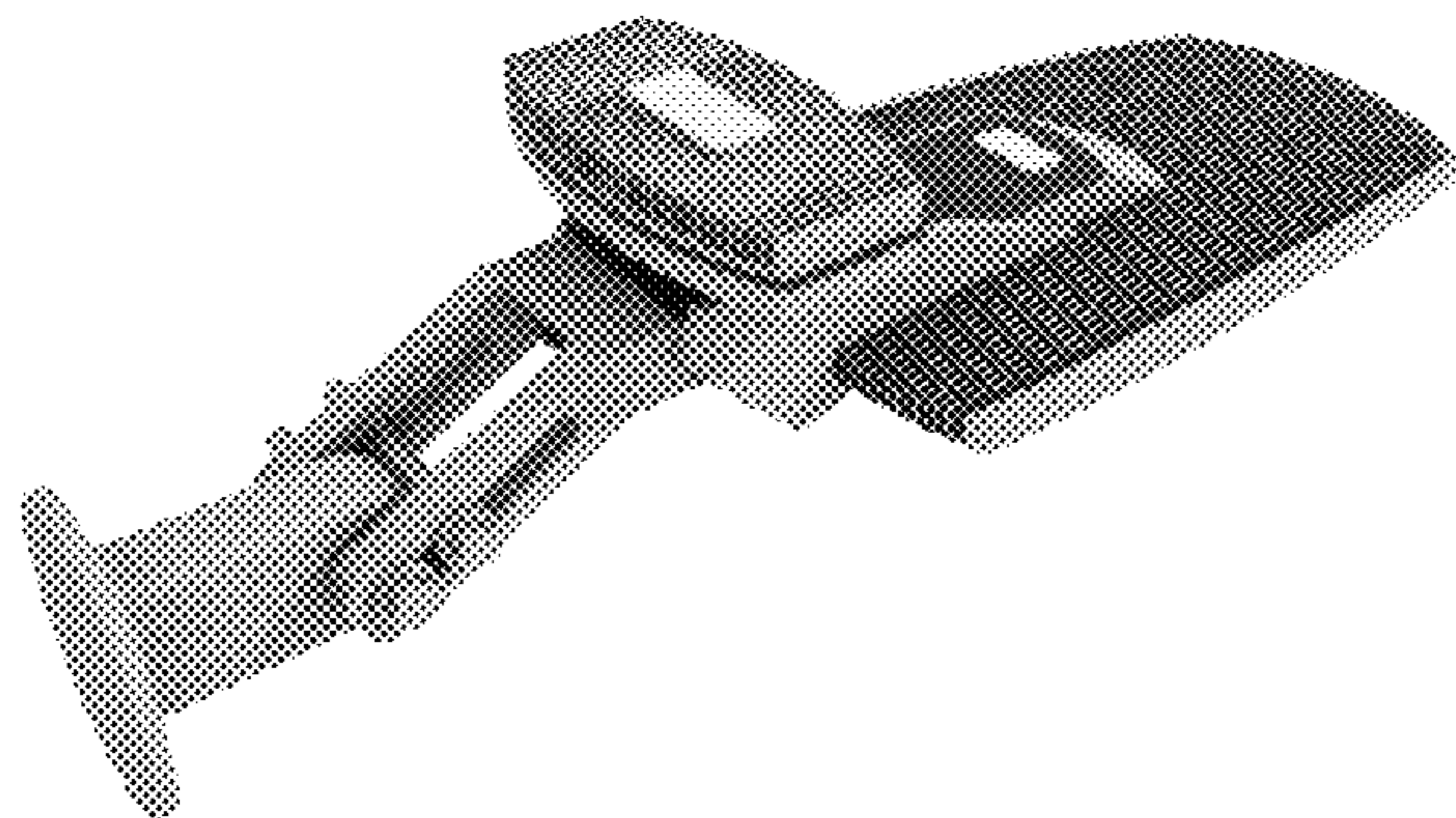
FIG. 4 is a top plan view thereof;

FIG. 5 is a bottom plan view thereof

FIG. 6 is a left side elevational view thereof; and,

FIG. 7 is a right side elevational view thereof.

1 Claim, 4 Drawing Sheets



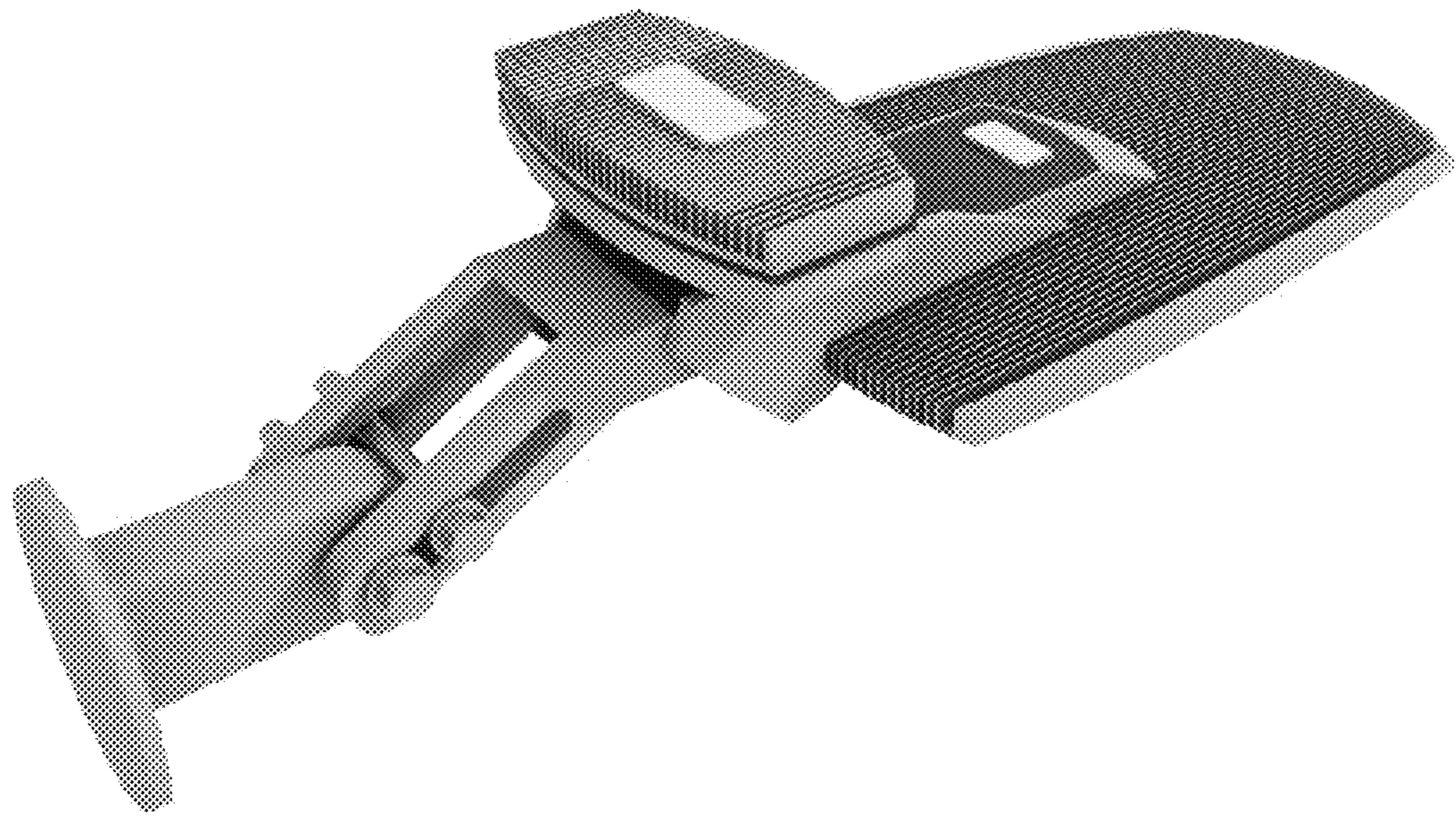


FIG. 1

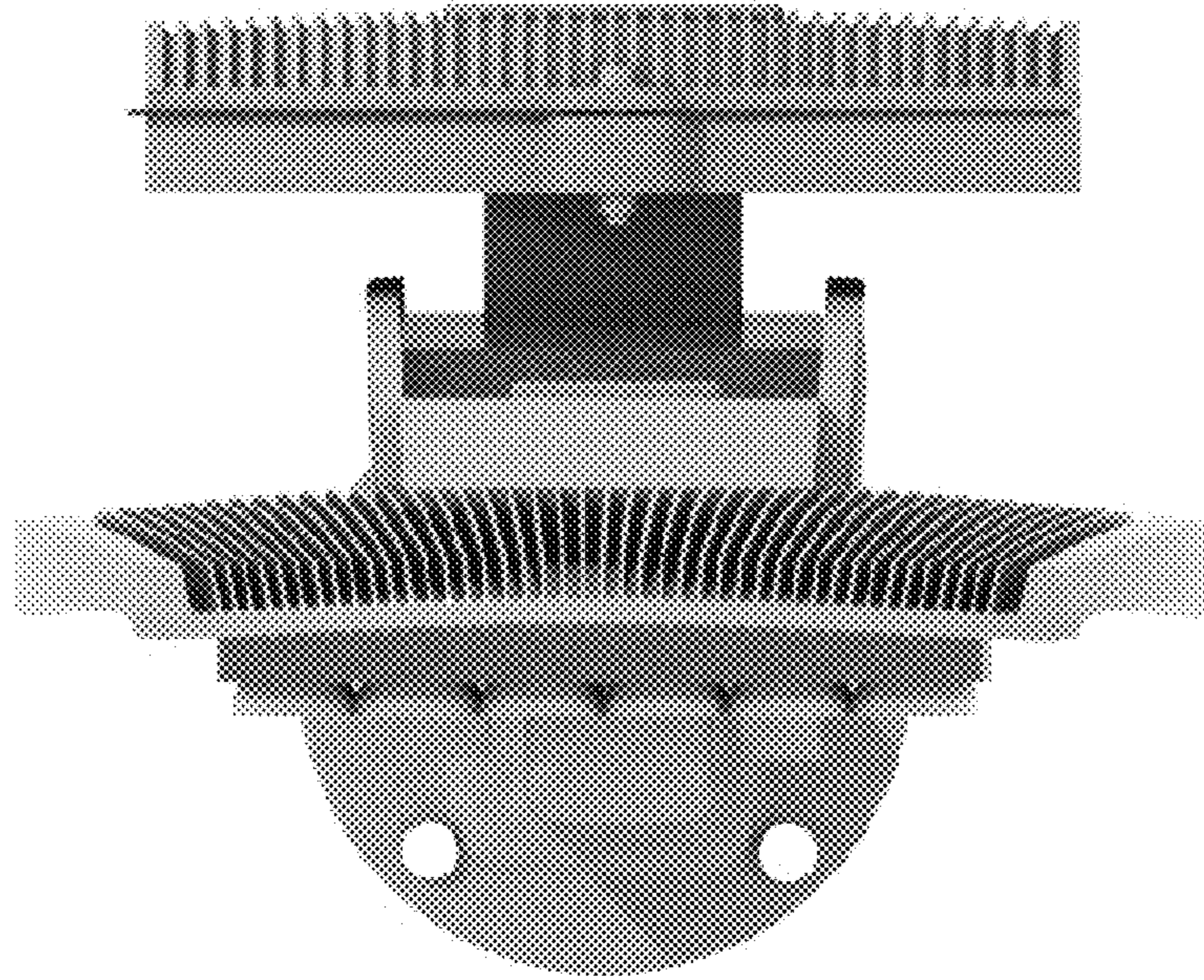


FIG. 2

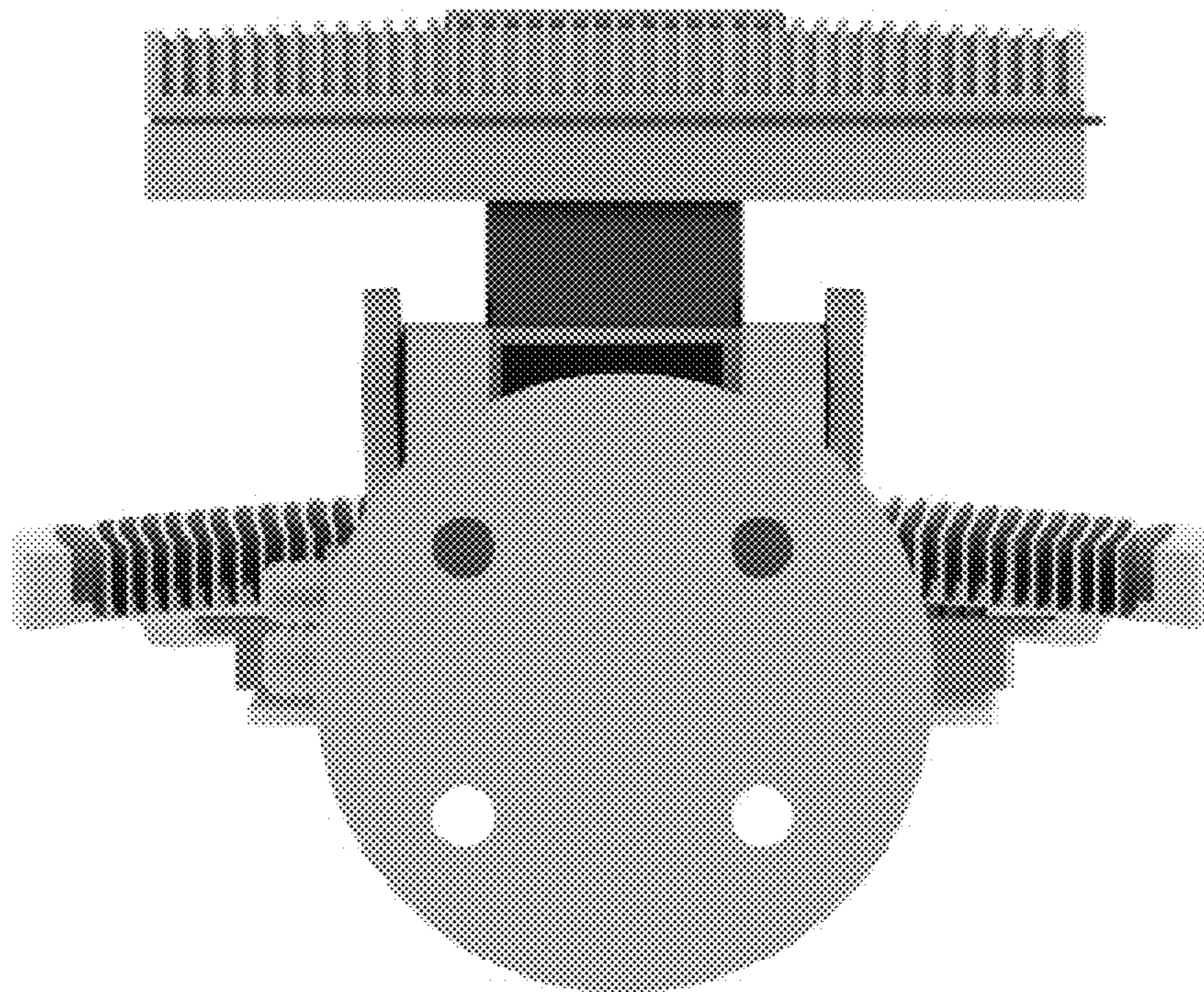


FIG. 3

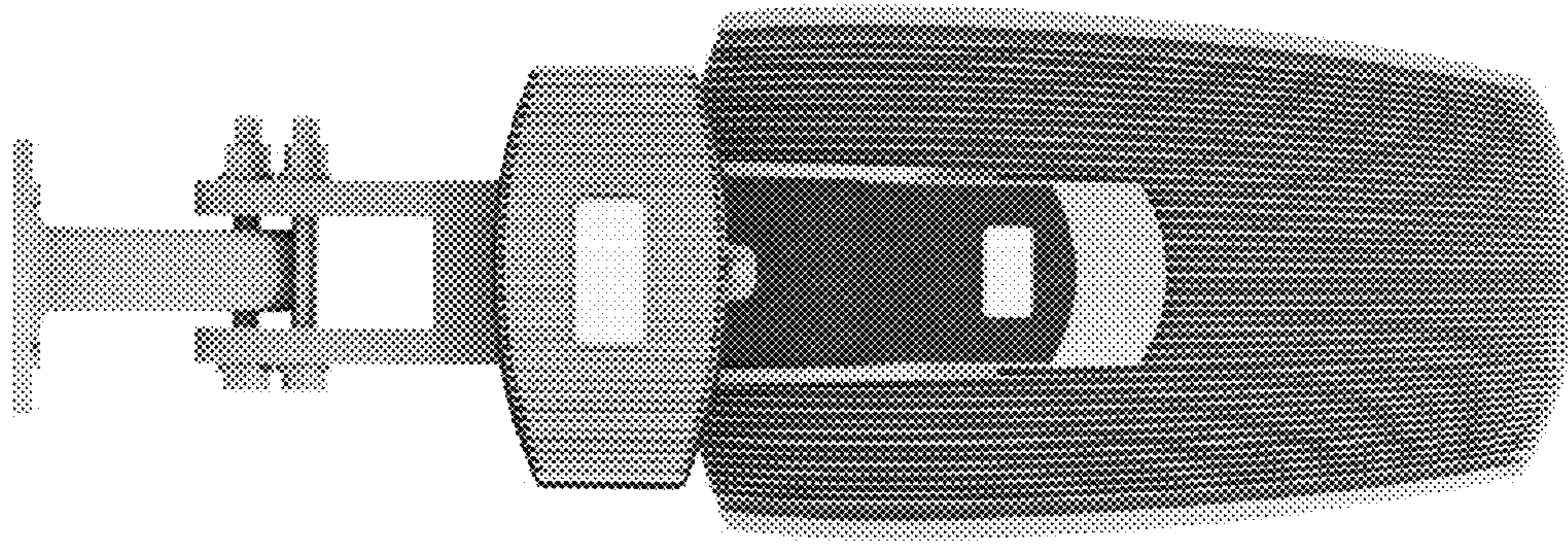


FIG. 4

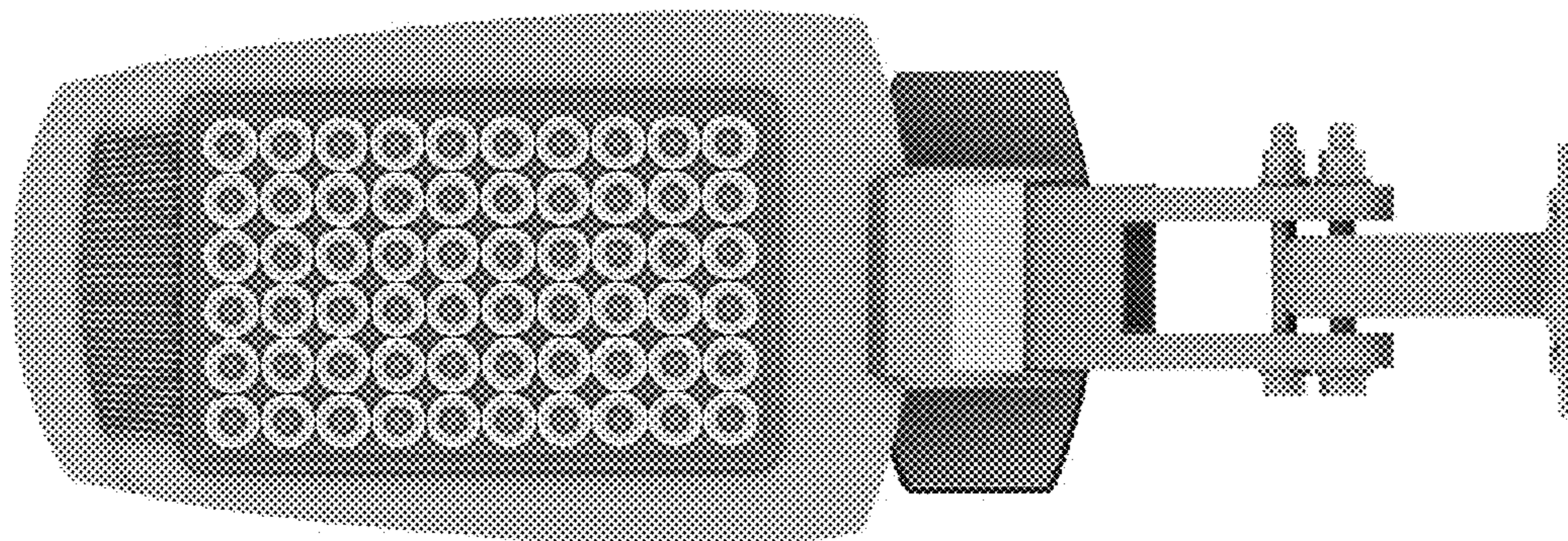


FIG. 5

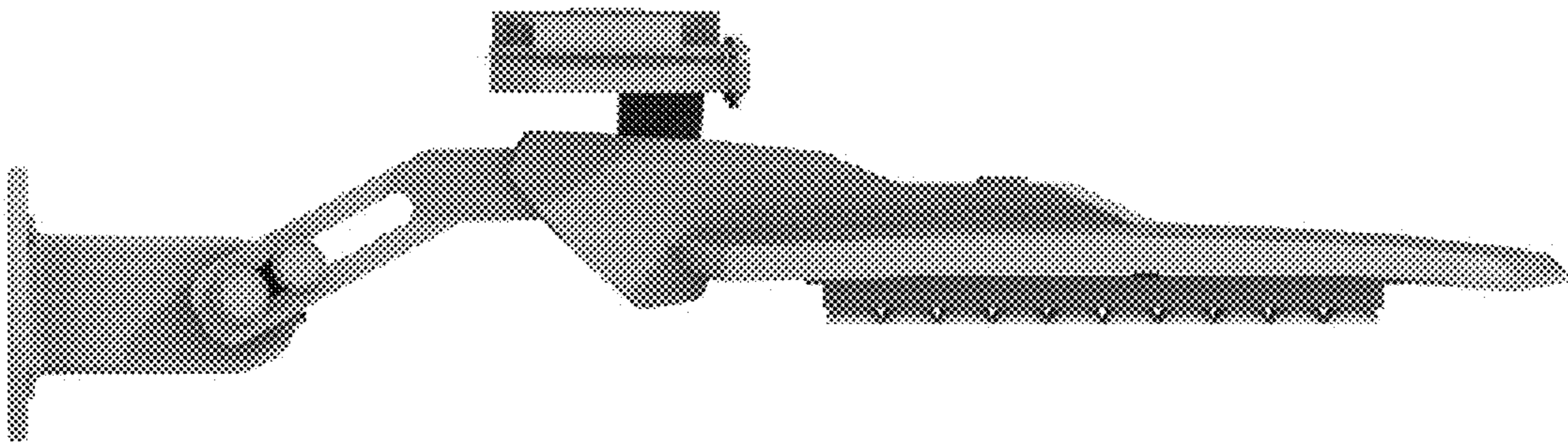


FIG. 6

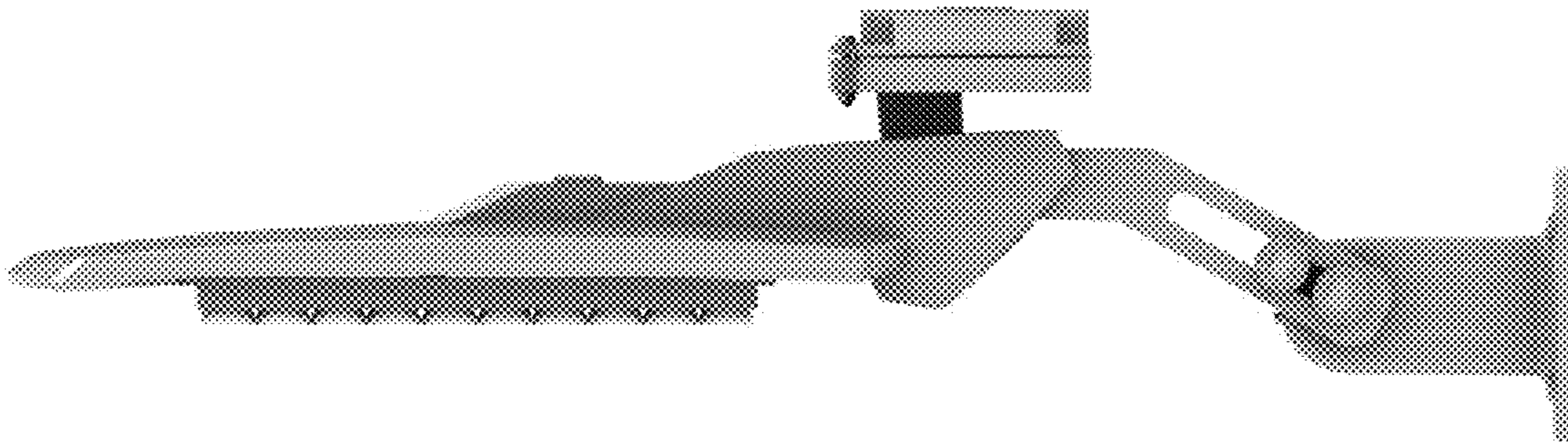


FIG. 7