



US00D622887S

(12) **United States Design Patent**  
**Lewis**

(10) **Patent No.:** **US D622,887 S**

(45) **Date of Patent:** **\*\* Aug. 31, 2010**

(54) **HYBRID STREET LIGHT**

(76) **Inventor:** **Jeffrey P. Lewis**, 5029 Country Side Dr.,  
Imperial, MO (US) 63052

(\*\*) **Term:** **14 Years**

(21) **Appl. No.:** **29/314,432**

(22) **Filed:** **Mar. 31, 2009**

(51) **LOC (9) Cl.** ..... **26-05**

(52) **U.S. Cl.** ..... **D26/71**

(58) **Field of Classification Search** ..... D26/67-71,  
D26/85, 92; 362/20, 145, 183, 249.02, 249.03,  
362/249.04, 249.06, 249.16, 231, 431; 290/55  
See application file for complete search history.

(56) **References Cited**

**U.S. PATENT DOCUMENTS**

|           |      |         |                  |         |
|-----------|------|---------|------------------|---------|
| 4,200,904 | A    | 4/1980  | Doan             |         |
| 4,816,970 | A    | 3/1989  | Garcia, Jr.      |         |
| 4,977,488 | A    | 12/1990 | Spotts et al.    |         |
| 5,055,984 | A    | 10/1991 | Hung et al.      |         |
| 5,149,188 | A    | 9/1992  | Robbins          |         |
| 5,211,470 | A    | 5/1993  | Frost et al.     |         |
| 5,217,296 | A    | 6/1993  | Tanner et al.    |         |
| 5,228,772 | A    | 7/1993  | Mitchell et al.  |         |
| 6,027,225 | A    | 2/2000  | Martin et al.    |         |
| 6,624,530 | B1   | 9/2003  | Toulon           |         |
| 6,942,361 | B1 * | 9/2005  | Kishimura et al. | 362/240 |
| 6,948,826 | B2   | 9/2005  | Fogerlie         |         |
| 7,321,173 | B2   | 1/2008  | Mann             |         |
| D573,742  | S *  | 7/2008  | Bears            | D26/71  |

|              |      |         |                 |            |
|--------------|------|---------|-----------------|------------|
| D610,732     | S *  | 2/2010  | Daidone et al.  | D26/71     |
| 2006/0120068 | A1 * | 6/2006  | Langlois et al. | 362/157    |
| 2007/0159836 | A1 * | 7/2007  | Huang et al.    | 362/431    |
| 2008/0094818 | A1   | 4/2008  | Harris          |            |
| 2009/0186745 | A1 * | 7/2009  | Lewiston        | 482/2      |
| 2009/0244890 | A1 * | 10/2009 | Pelken et al.   | 362/192    |
| 2009/0268451 | A1 * | 10/2009 | Zheng et al.    | 362/235    |
| 2009/0273922 | A1 * | 11/2009 | Ho et al.       | 362/183    |
| 2009/0303717 | A1 * | 12/2009 | Long et al.     | 362/249.02 |
| 2010/0090605 | A1 * | 4/2010  | Nevins          | 315/159    |

\* cited by examiner

*Primary Examiner*—Clare E Heflin

(74) *Attorney, Agent, or Firm*—Kevin L. Klug

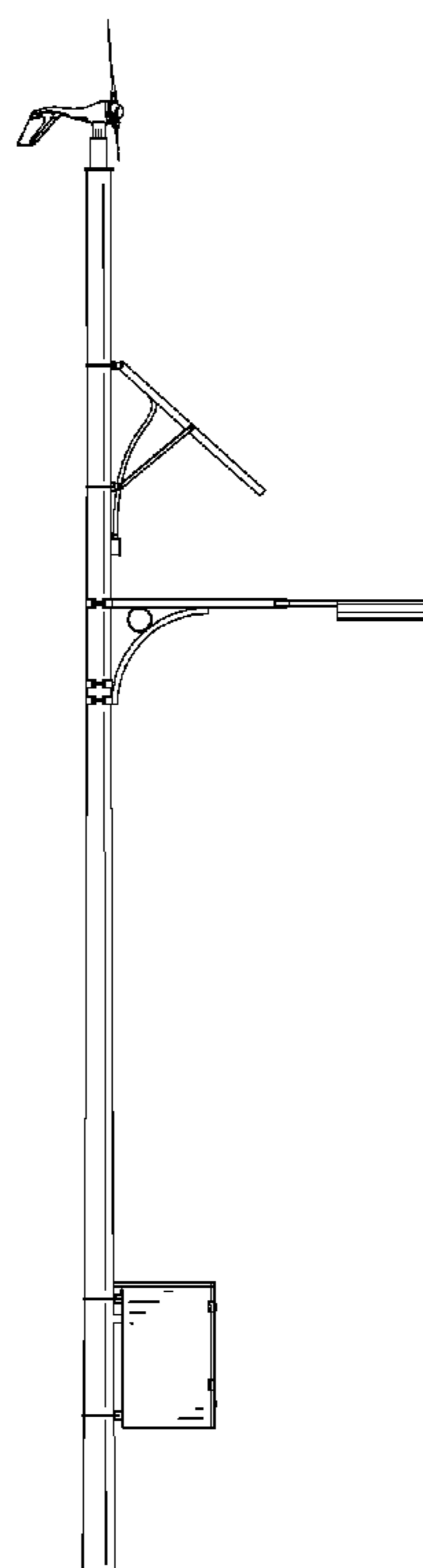
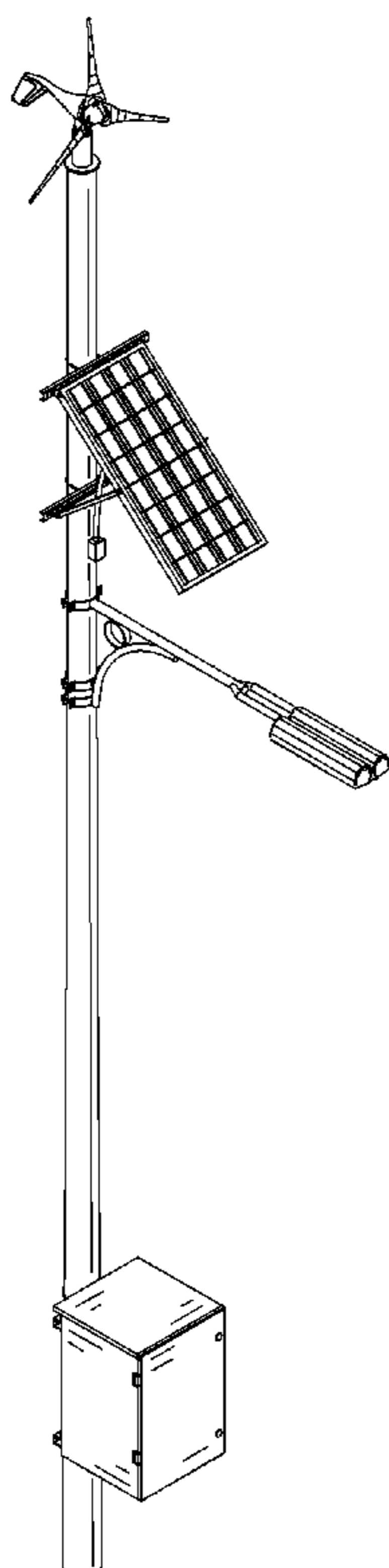
(57) **CLAIM**

The ornamental design for a hybrid street light, as shown and described.

**DESCRIPTION**

FIG. 1 is a front left perspective view of a hybrid street light;  
FIG. 2 is a rear left perspective view thereof;  
FIG. 3 is a left side elevation view thereof;  
FIG. 4 is a right side elevation view thereof;  
FIG. 5 is a front elevation view thereof;  
FIG. 6 is a rear elevation view thereof;  
FIG. 7 is a top plan view thereof; and,  
FIG. 8 is a bottom plan view thereof.

**1 Claim, 4 Drawing Sheets**



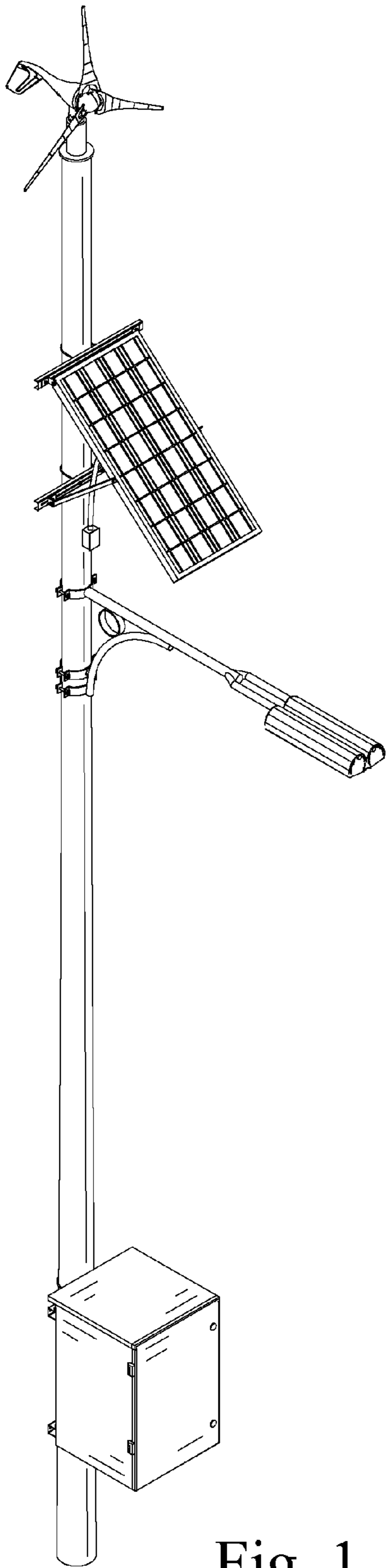


Fig. 1

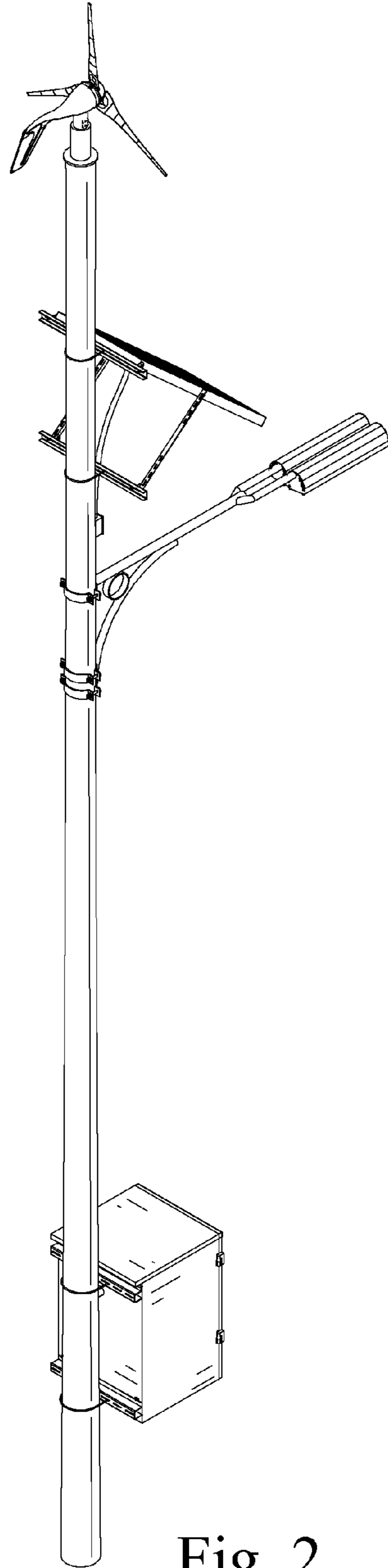


Fig. 2

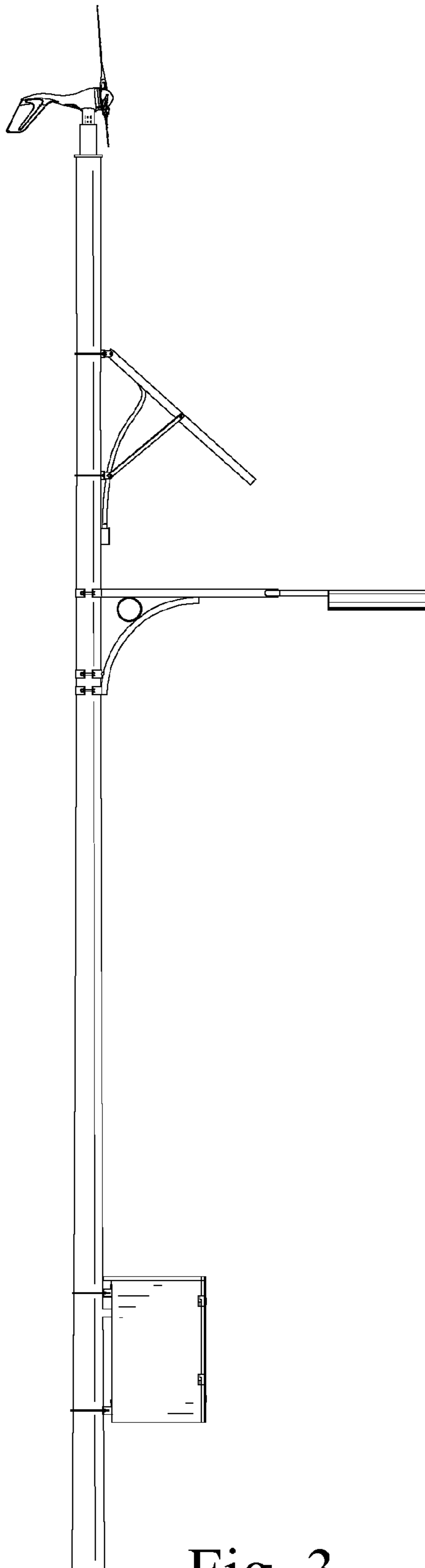


Fig. 3

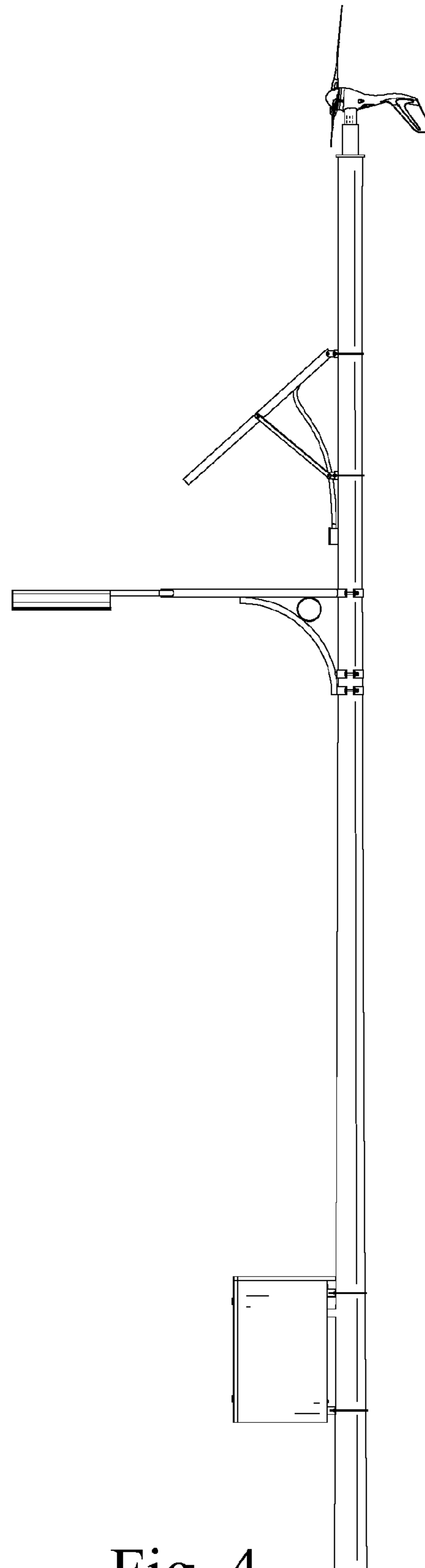


Fig. 4

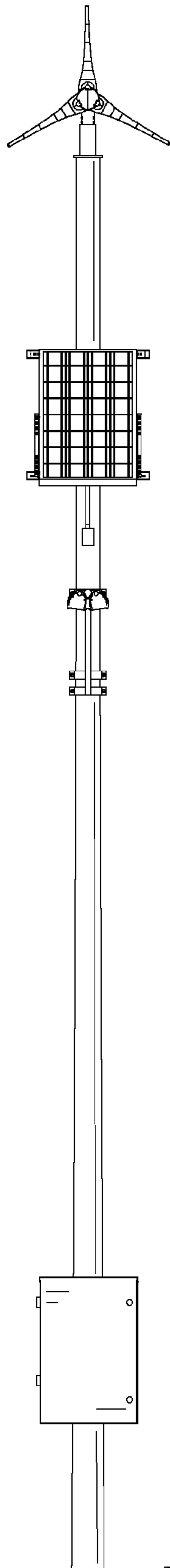


Fig. 5

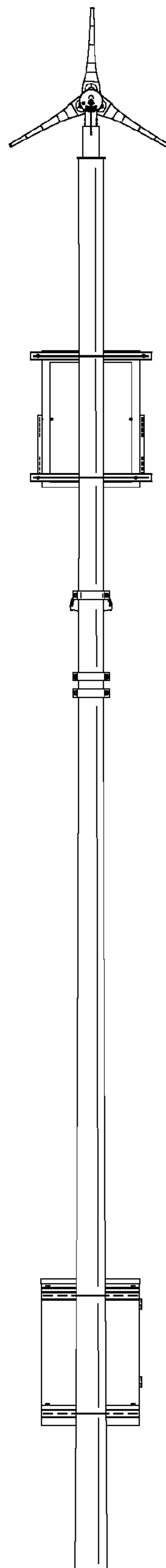


Fig. 6

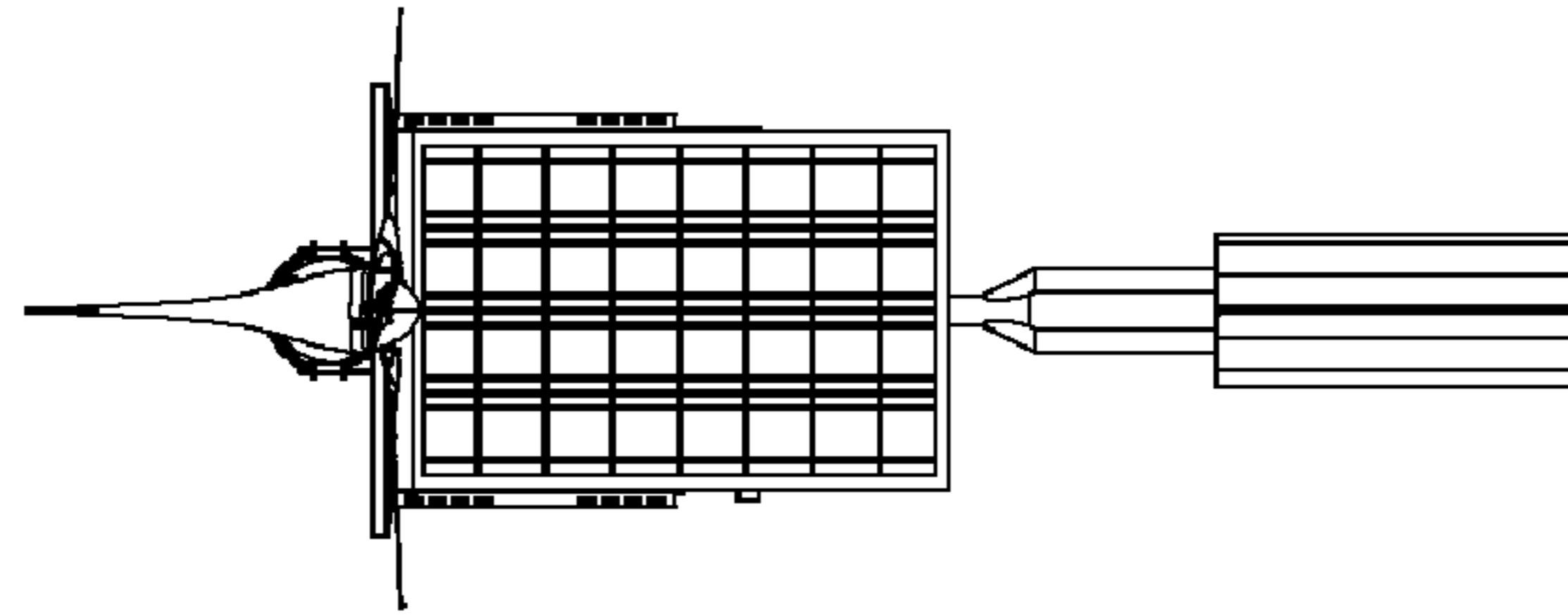


Fig. 7

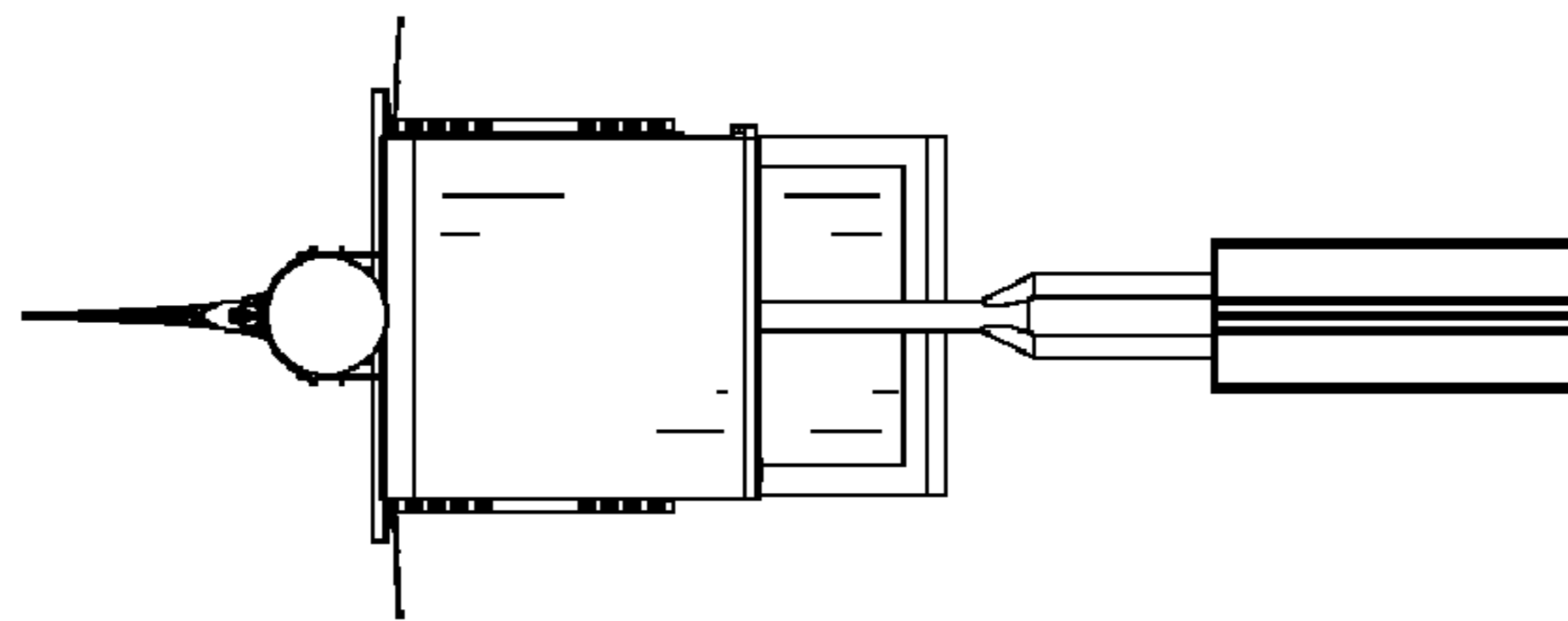


Fig. 8