



US00D622885S

(12) **United States Design Patent**
Ng et al.

(10) **Patent No.:** **US D622,885 S**
(45) **Date of Patent:** **** Aug. 31, 2010**

(54) **DESK LAMP**

(75) Inventors: **Kenneth Yat Chung Ng**, Monterey Park, CA (US); **Edmund Yat Kwong Ng**, Hong Kong (CN); **Peter Ng**, Hong Kong (CN)

(73) Assignee: **Koncept Technologies, Inc.**, Monterey Park, CA (US)

(**) Term: **14 Years**

(21) Appl. No.: **29/314,304**

(22) Filed: **Mar. 19, 2009**

(51) **LOC (9) Cl.** **26-05**

(52) **U.S. Cl.** **D26/65; D26/107**

(58) **Field of Classification Search** D26/61–66,
D26/107; 362/413, 414, 421, 427, 428, 287;
403/76, 122

See application file for complete search history.

(56) **References Cited**

U.S. PATENT DOCUMENTS

- 5,303,136 A * 4/1994 Brown 362/421
- D360,277 S * 7/1995 Roberts, III D26/107
- D402,385 S * 12/1998 Chen D26/65
- D523,164 S * 6/2006 Ng D26/65
- D574,530 S * 8/2008 Tragatschnig D26/61
- D579,597 S * 10/2008 Ng D26/61

- D606,692 S * 12/2009 Waldmann D26/65
- D606,693 S * 12/2009 Waldmann D26/65
- D611,634 S * 3/2010 Newhouse D26/61

* cited by examiner

Primary Examiner—Mitchell I Siegel

(74) *Attorney, Agent, or Firm*—Foley & Lardner LLP

(57) **CLAIM**

The ornamental design for a desk lamp, as shown.

DESCRIPTION

FIG. 1 is a perspective view of a desk lamp and optional base plate showing my new design, the optional base plate being shown in broken lines—the broken lines are for illustrative purposes only and form no part of this embodiment.

FIG. 2 is a top view thereof;

FIG. 3 is a right side view thereof, the left side view being a mirror image of the right side view;

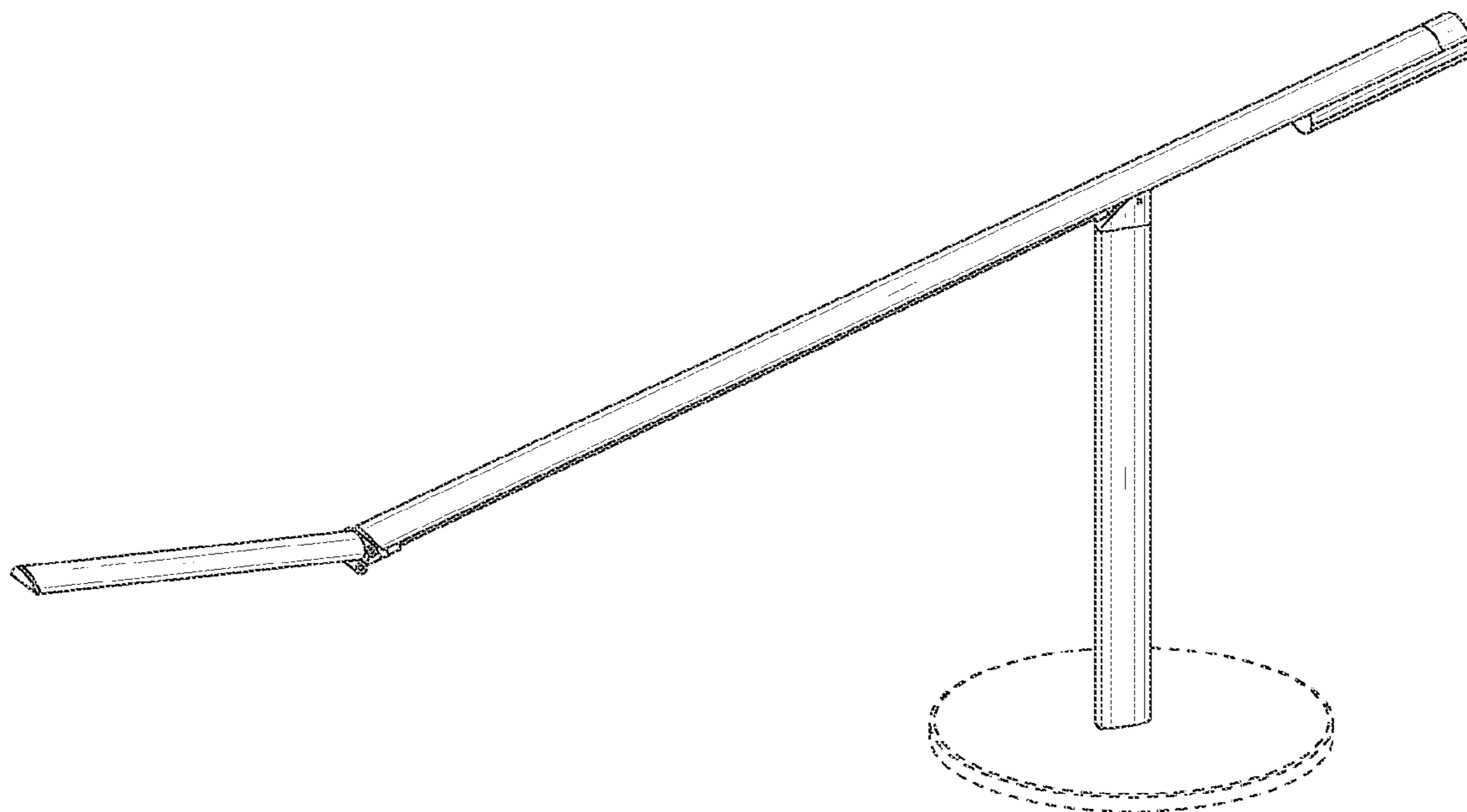
FIG. 4 is a front view thereof;

FIG. 5 is a rear view thereof;

FIG. 6 is a side perspective view thereof, in an alternate position; and,

FIG. 7 is a side perspective view thereof, in an alternate position.

1 Claim, 7 Drawing Sheets



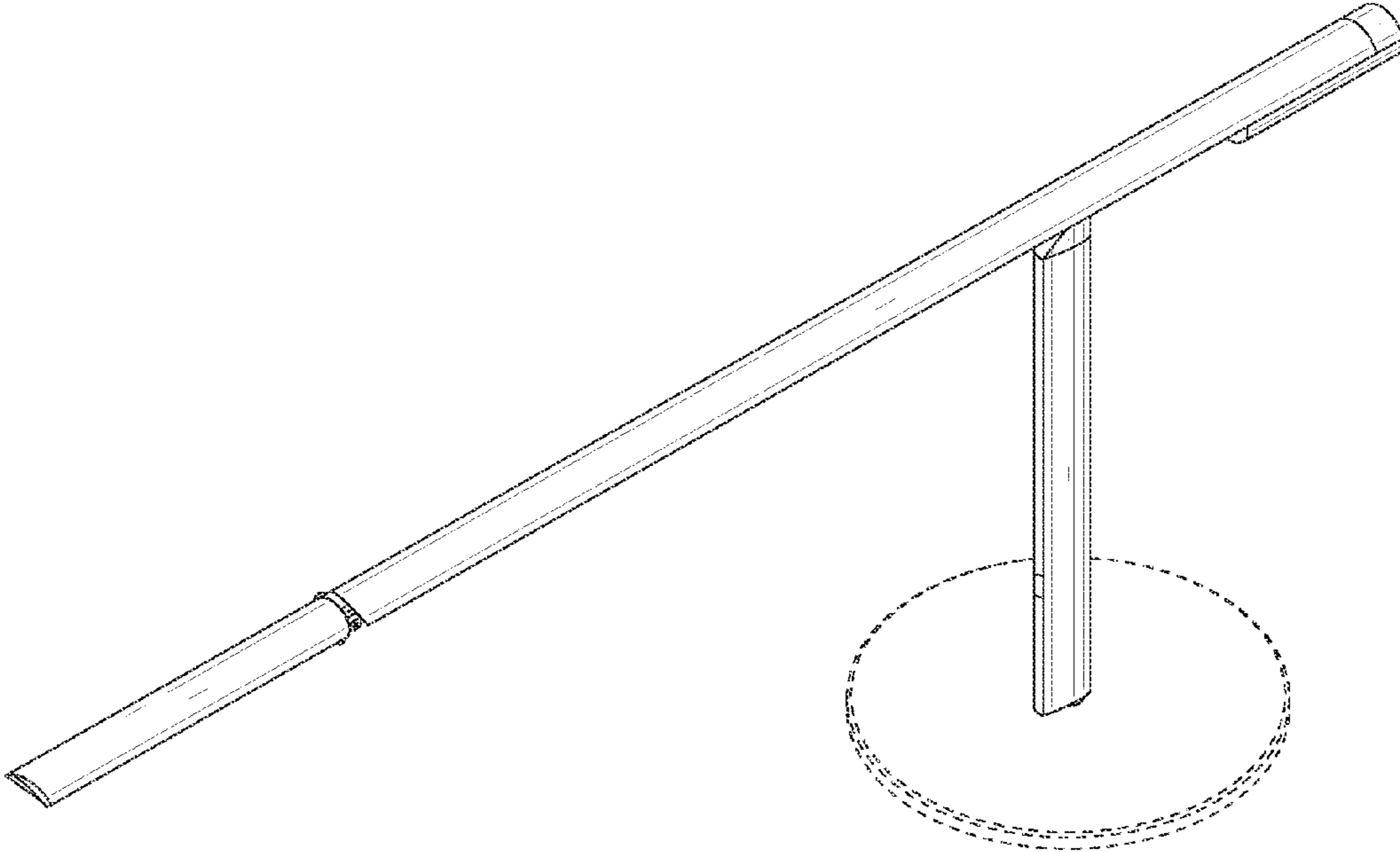


FIG. 1

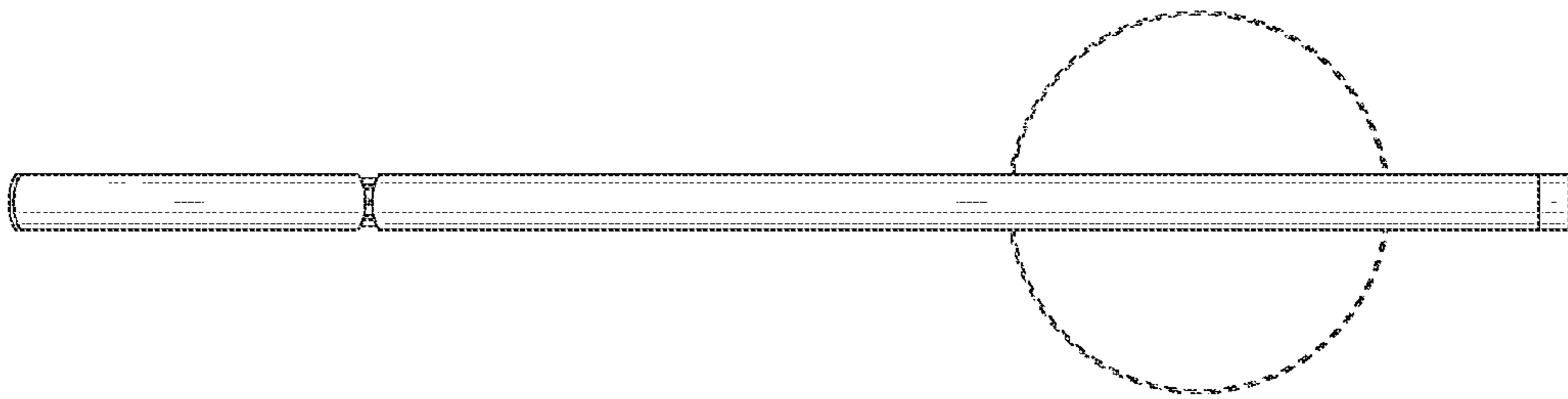


FIG. 2

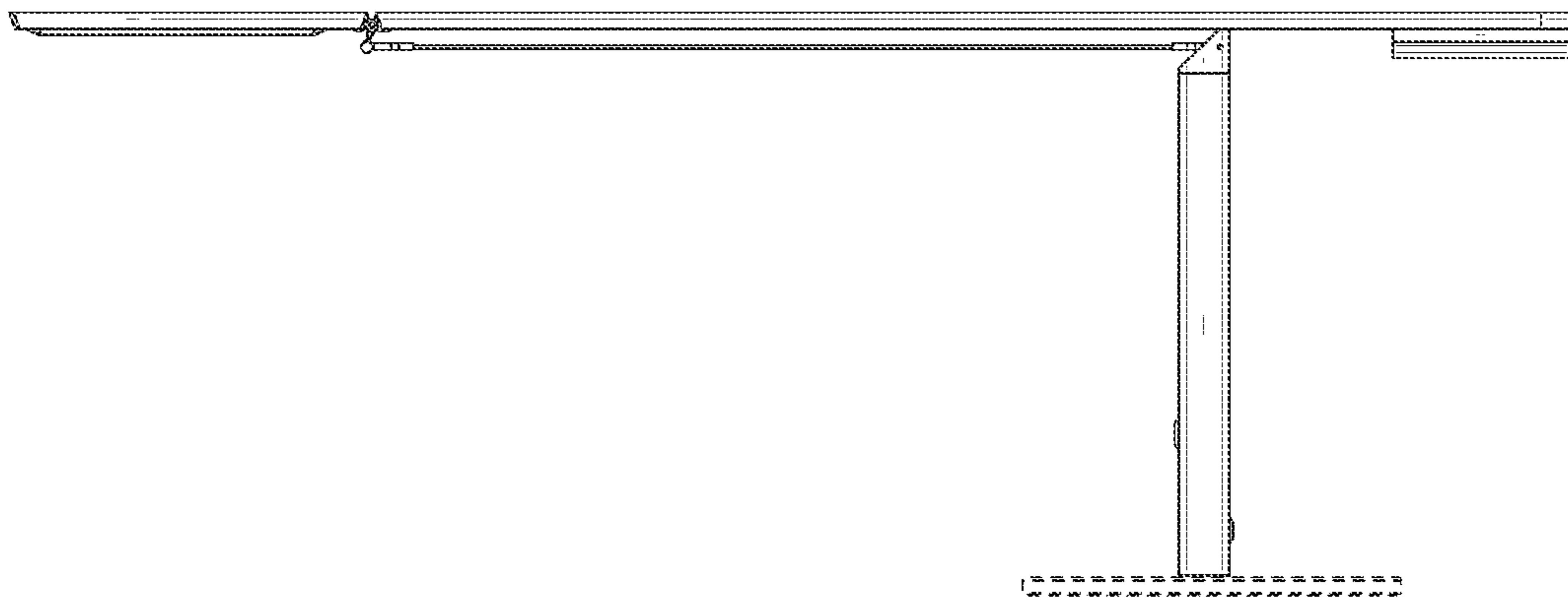


FIG. 3

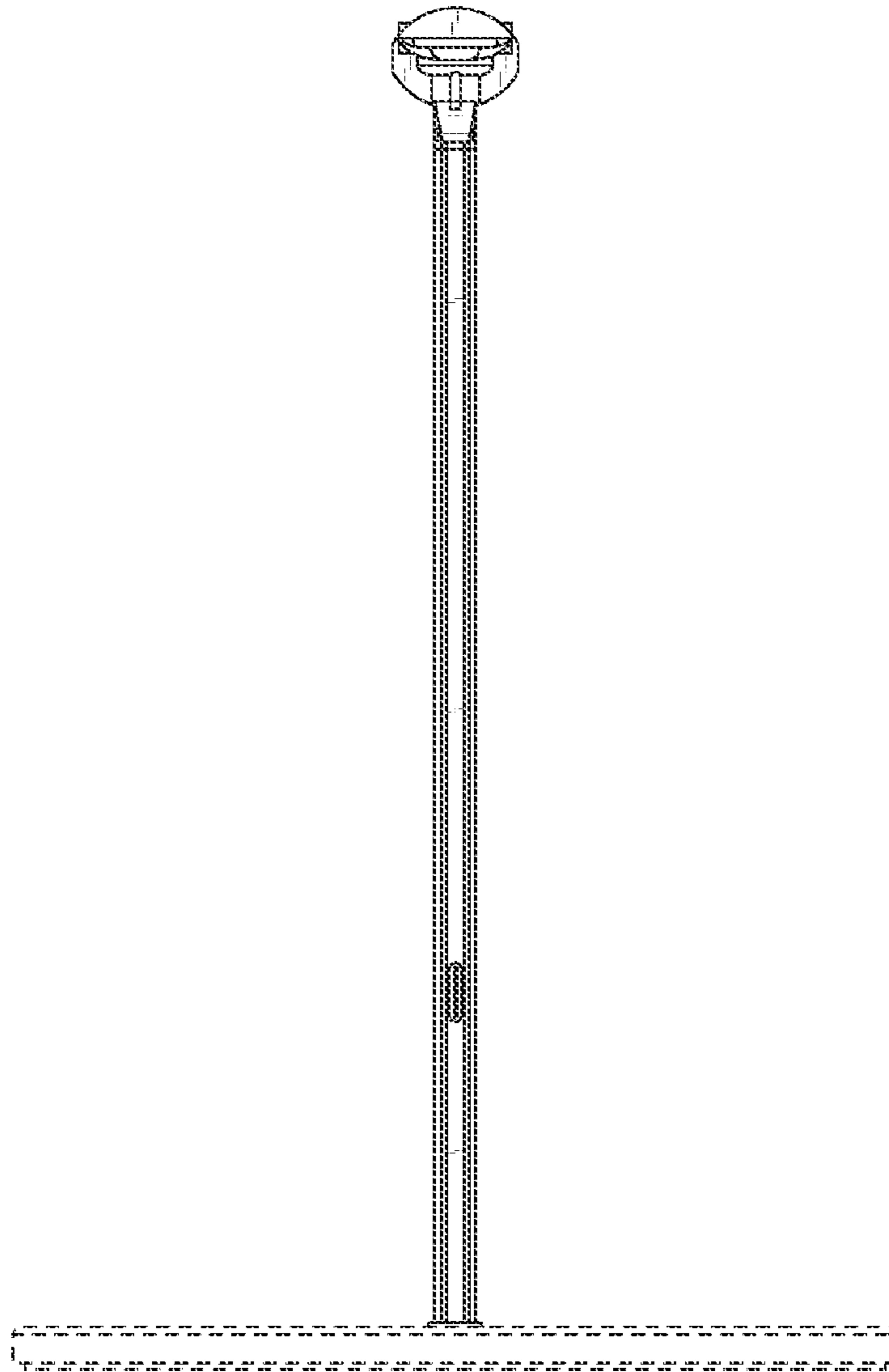


FIG. 4

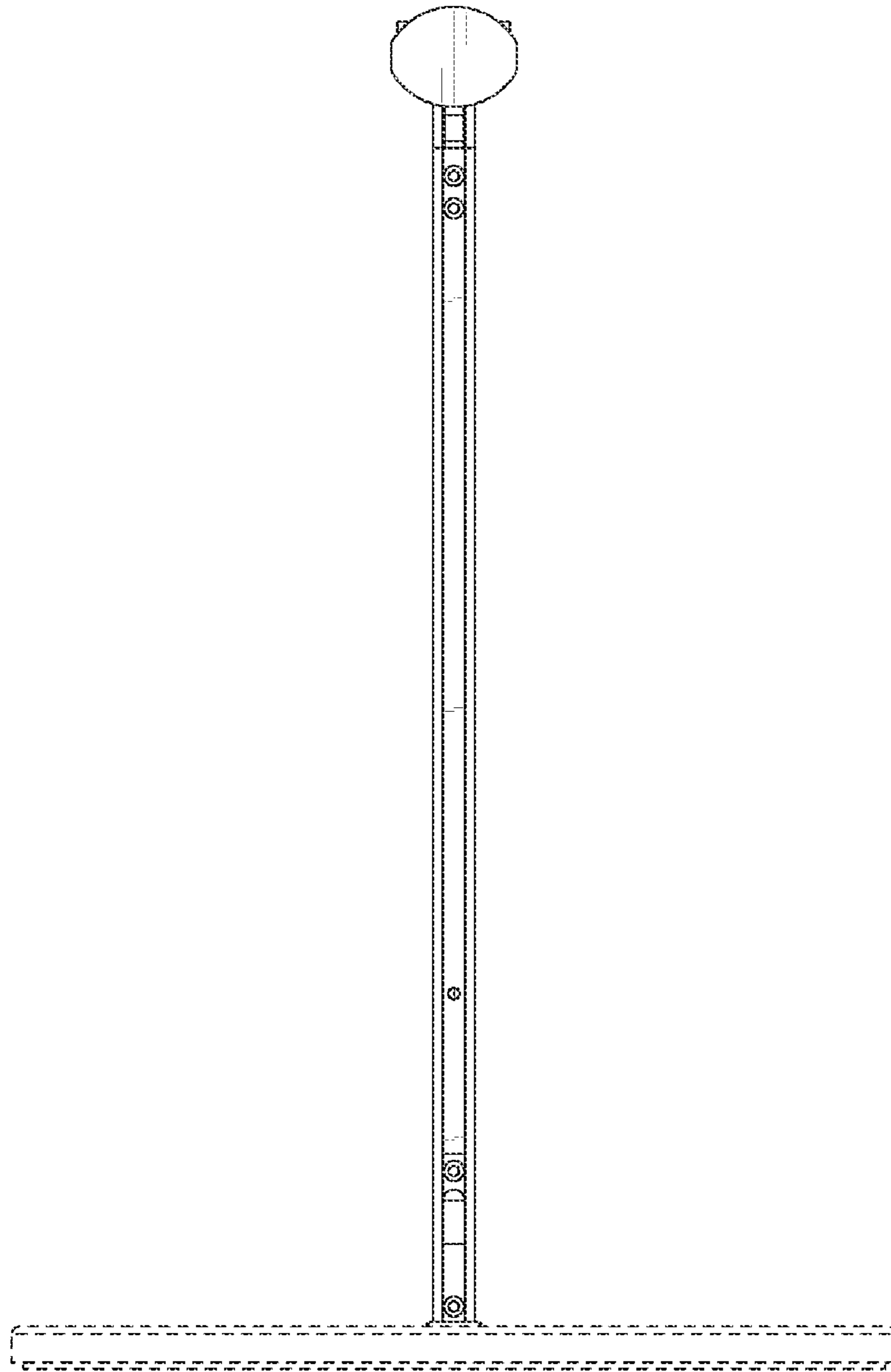


FIG. 5

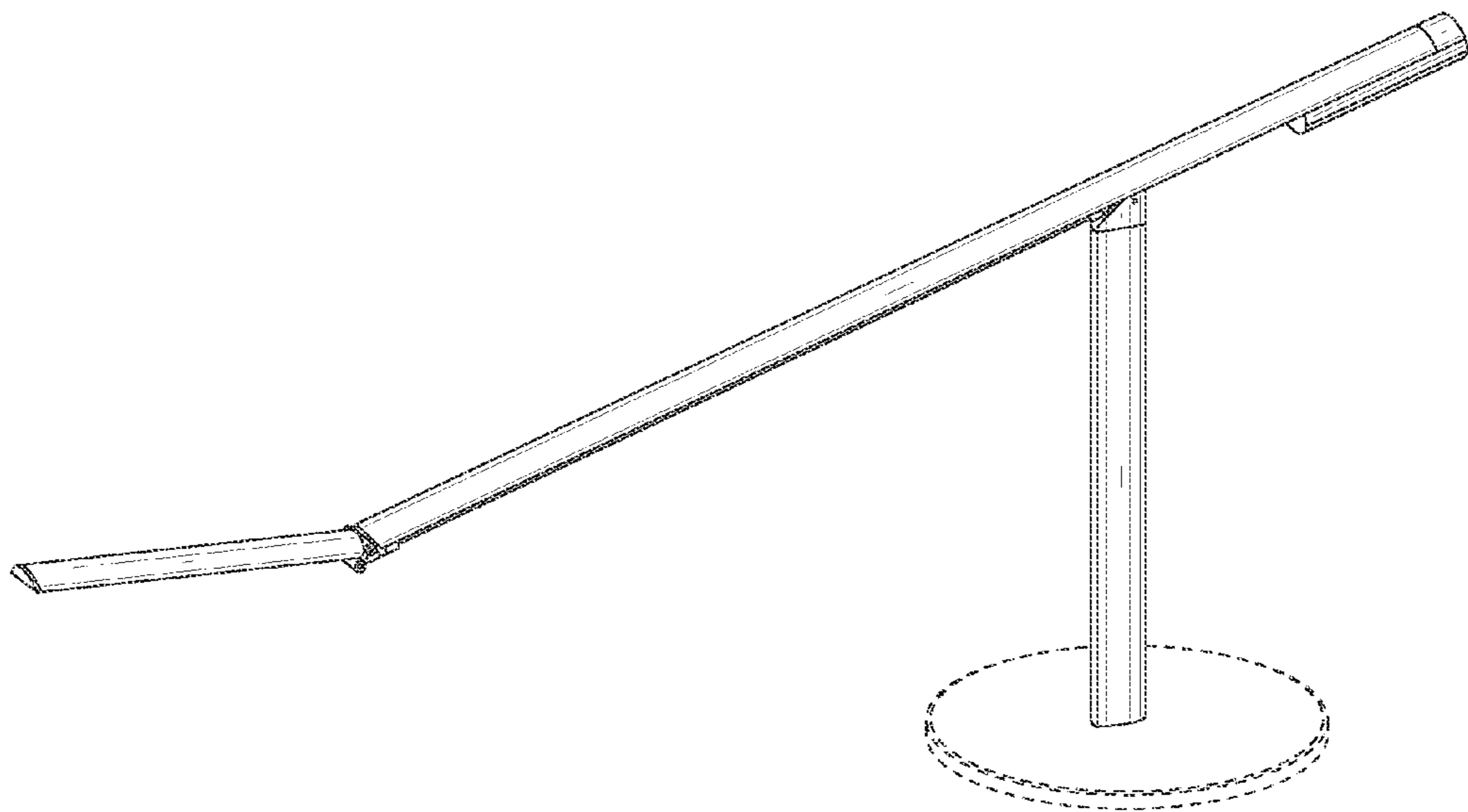


FIG. 6

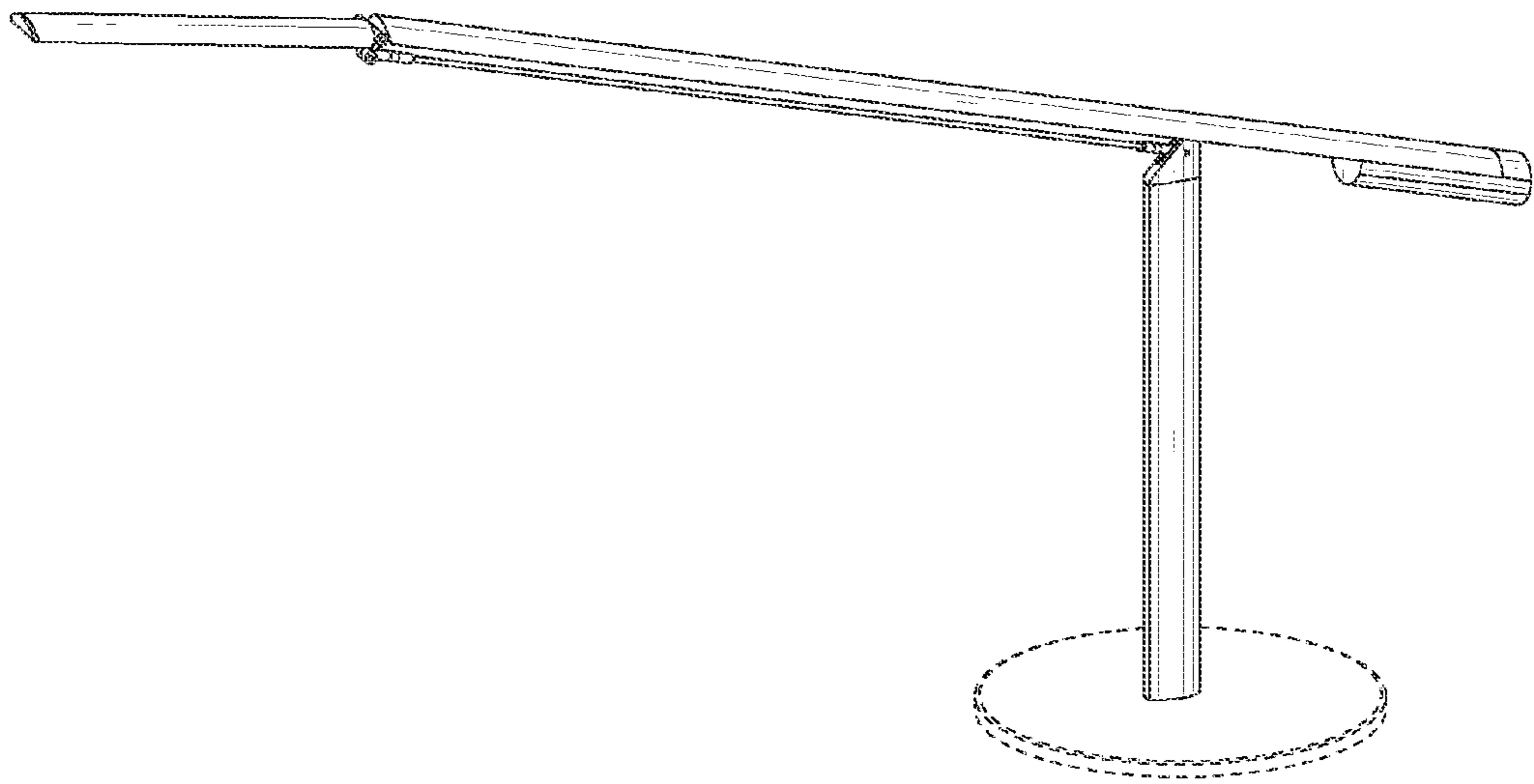


FIG. 7